

US00D492184S1

(12) **United States Design Patent** (10) **Patent No.:** **US D492,184 S**
Parker et al. (45) **Date of Patent:** **** Jun. 29, 2004**

(54) **LATCH FOR A CASE**

(75) Inventors: **David H. Parker**, Torrance, CA (US);
Deanna L. Griffith, Topanga, CA (US)

(73) Assignee: **Pelican Products, Inc.**, Torrance, CA (US)

(**) Term: **14 Years**

(21) Appl. No.: **29/185,683**

(22) Filed: **Jul. 1, 2003**

(51) **LOC (7) Cl.** **08-07**

(52) **U.S. Cl.** **D8/331; D8/343**

(58) **Field of Search** D8/330, 331, 343,
D8/336; 70/4, 58, 51, 63, 68, 69, 74, 75,
78, 431; 292/101, 107, 128, 129, 228, 285,
358, 359, DIG. 17, DIG. 42, DIG. 68;
24/295, 458

(56) **References Cited**

U.S. PATENT DOCUMENTS

3,121,318	A	*	2/1964	Norrenberg-Sudhaus	70/69
4,316,626	A	*	2/1982	Kafka et al.	292/285
4,761,974	A	*	8/1988	Lii	70/4
4,920,771	A	*	5/1990	Jiang	70/4
D324,165	S	*	2/1992	Bressler et al.	D8/331
D414,673	S	*	10/1999	Dickinson et al.	D8/331
D424,406	S	*	5/2000	Frey	D8/331
6,179,350	B1	*	1/2001	Ely et al.	292/113
6,354,461	B1	*	3/2002	Tenney et al.	220/836
D481,293	S	*	10/2003	Ayrest	D8/331
D482,593	S	*	11/2003	Wolf	D8/331

OTHER PUBLICATIONS

Hartwell Corporation, Flush Latches, 1984, Container Latch, H2638 and H408.*

* cited by examiner

Primary Examiner—Prabhakar Deshmukh
(74) *Attorney, Agent, or Firm*—Charles Berman, Esq.;
Greenberg Traurig, LLP

(57) **CLAIM**

The ornamental design for a latch for a case, as shown and described.

DESCRIPTION

FIG. 1 is a front perspective view of a latch for a case showing our new design; the broken line showing of a case is for illustrative purpose only and forms no part of the claimed design.

FIG. 2 is a front perspective view of the latch.

FIG. 3 is a front view of the latch.

FIG. 4 is a side view of the latch.

FIG. 5 is a rear view of the latch.

FIG. 6 is a top view of the latch.

FIG. 7 is a bottom view of the latch.

FIG. 8 is a perspective front view of an alternative embodiment of the latch.

FIG. 9 is a front view of the alternative embodiment of the latch.

FIG. 10 is a rear view of the alternative embodiment of the latch.

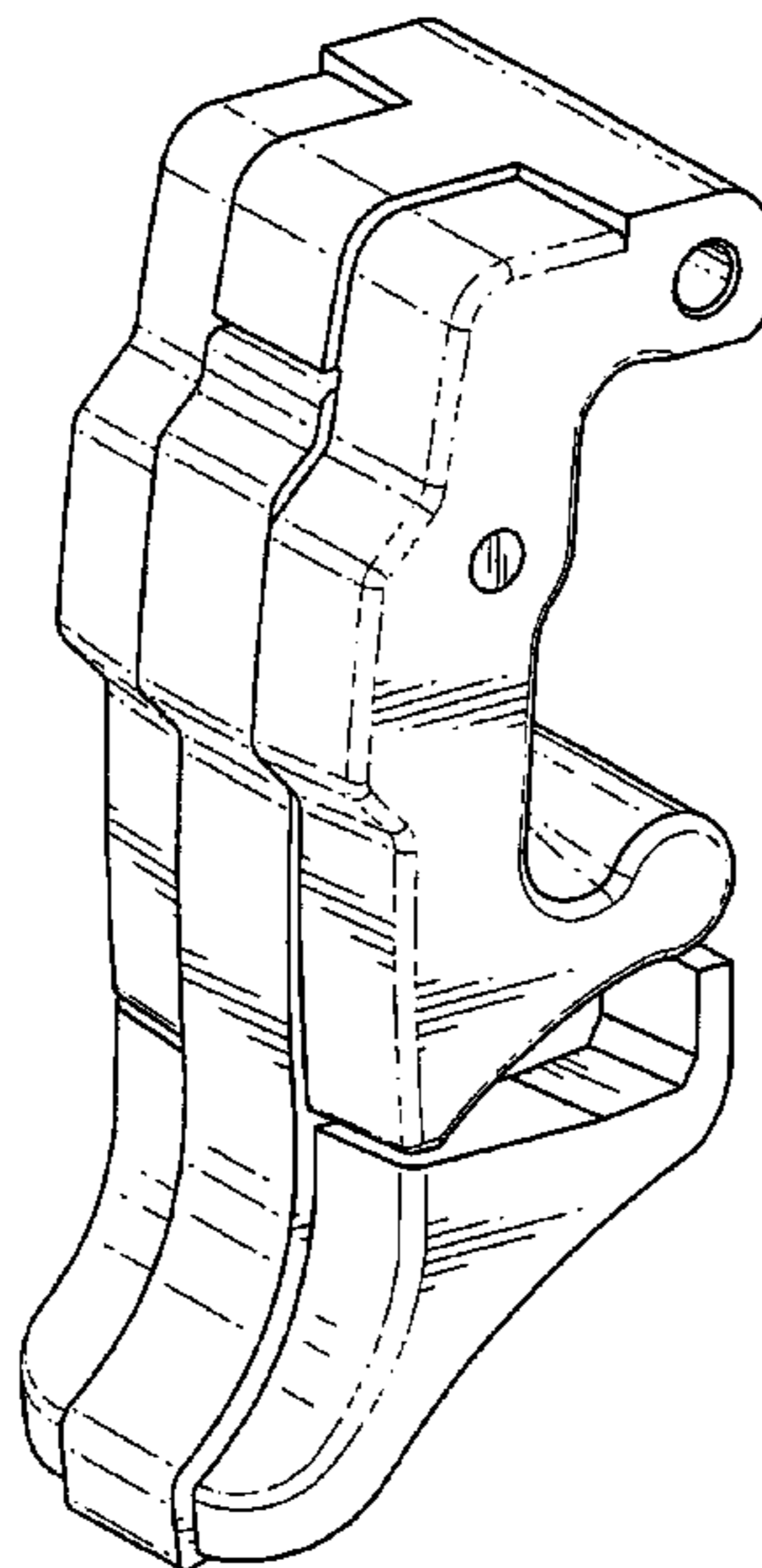
FIG. 11 is a side view of the alternative embodiment of the latch.

FIG. 12 is a top view of the alternative embodiment of the latch; and,

FIG. 13 is a bottom view of the alternative embodiment of the latch.

FIGS. 2–13 are drawn in an enlarged scale.

1 Claim, 5 Drawing Sheets



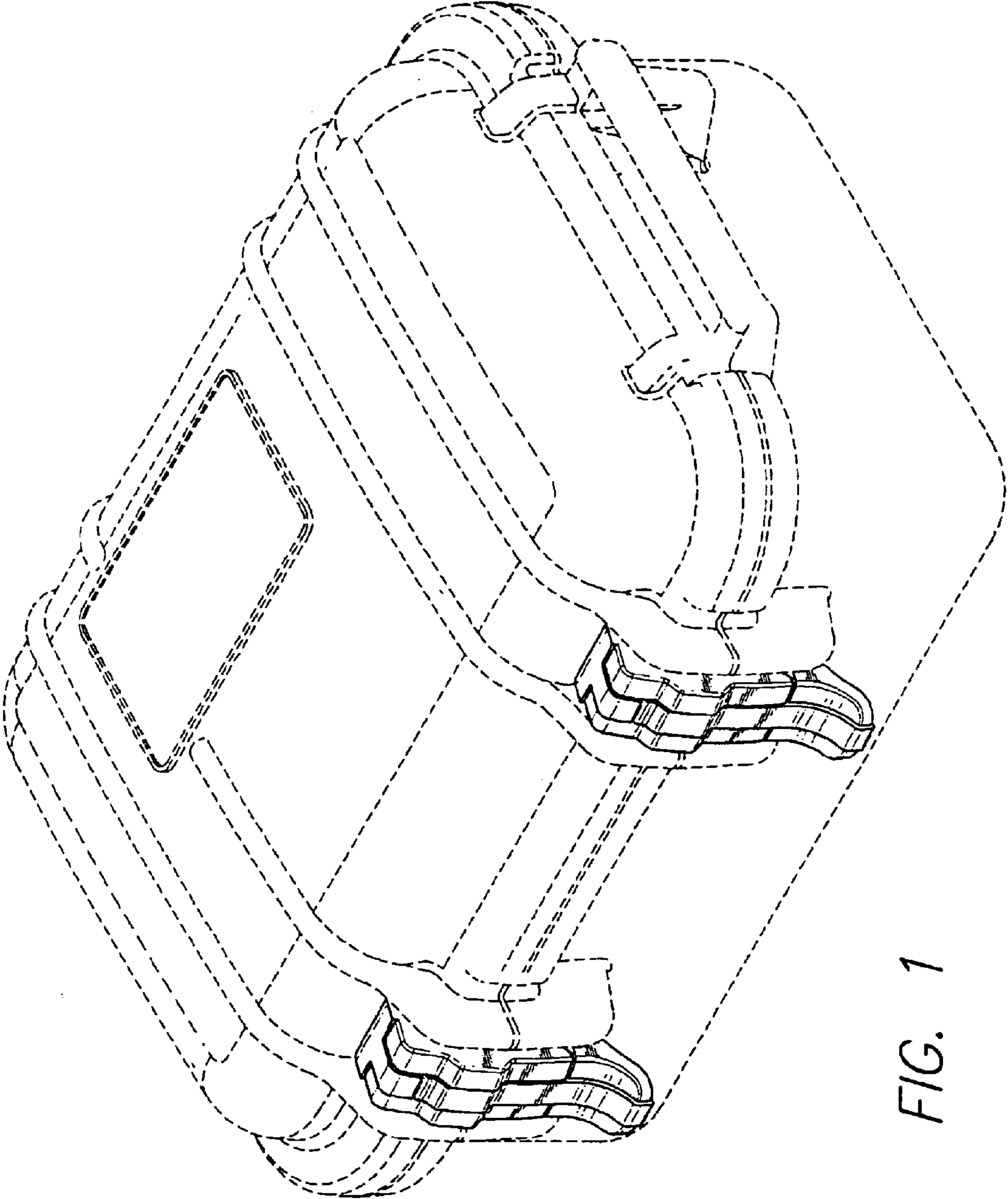


FIG. 1

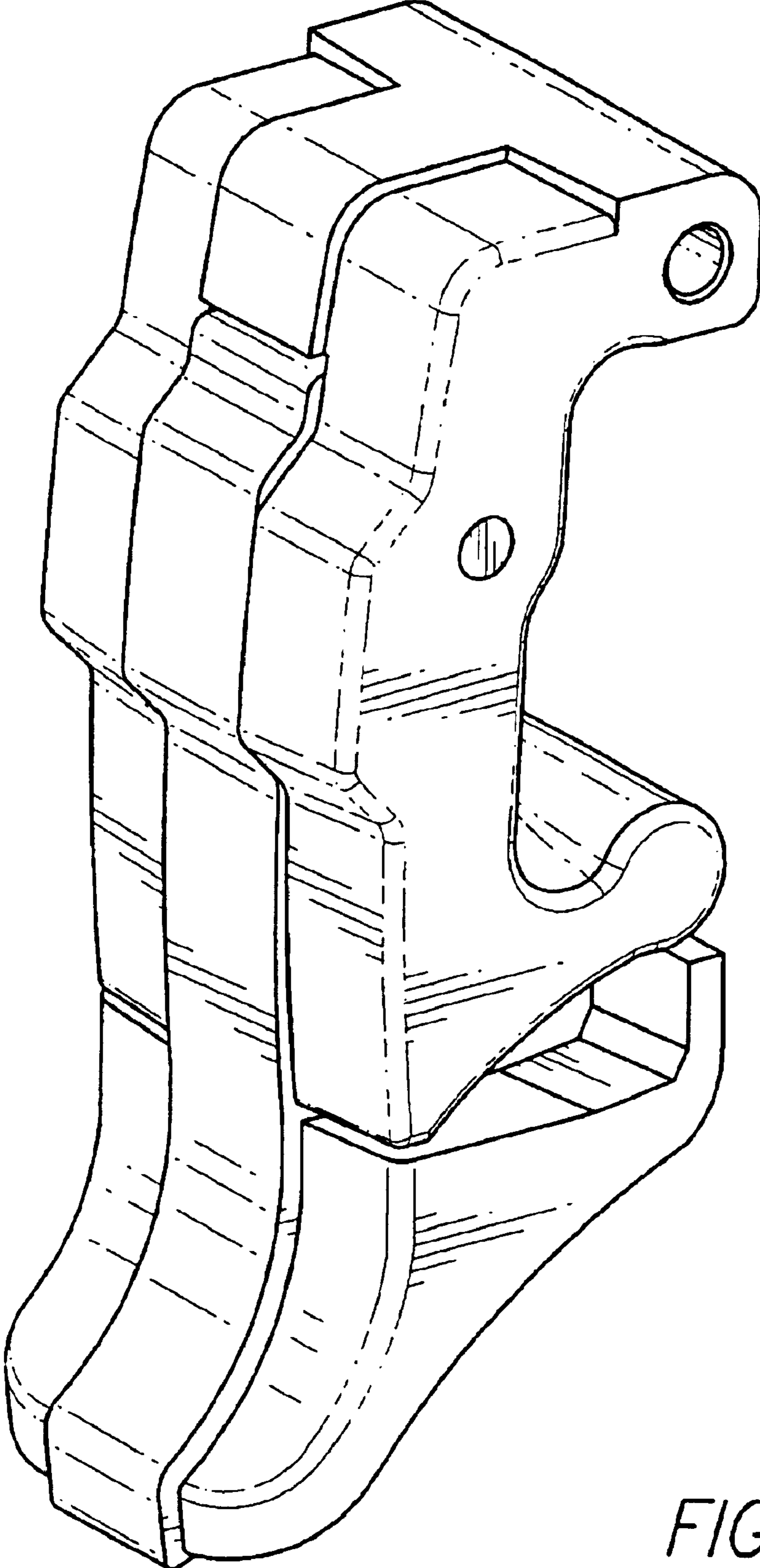


FIG. 2

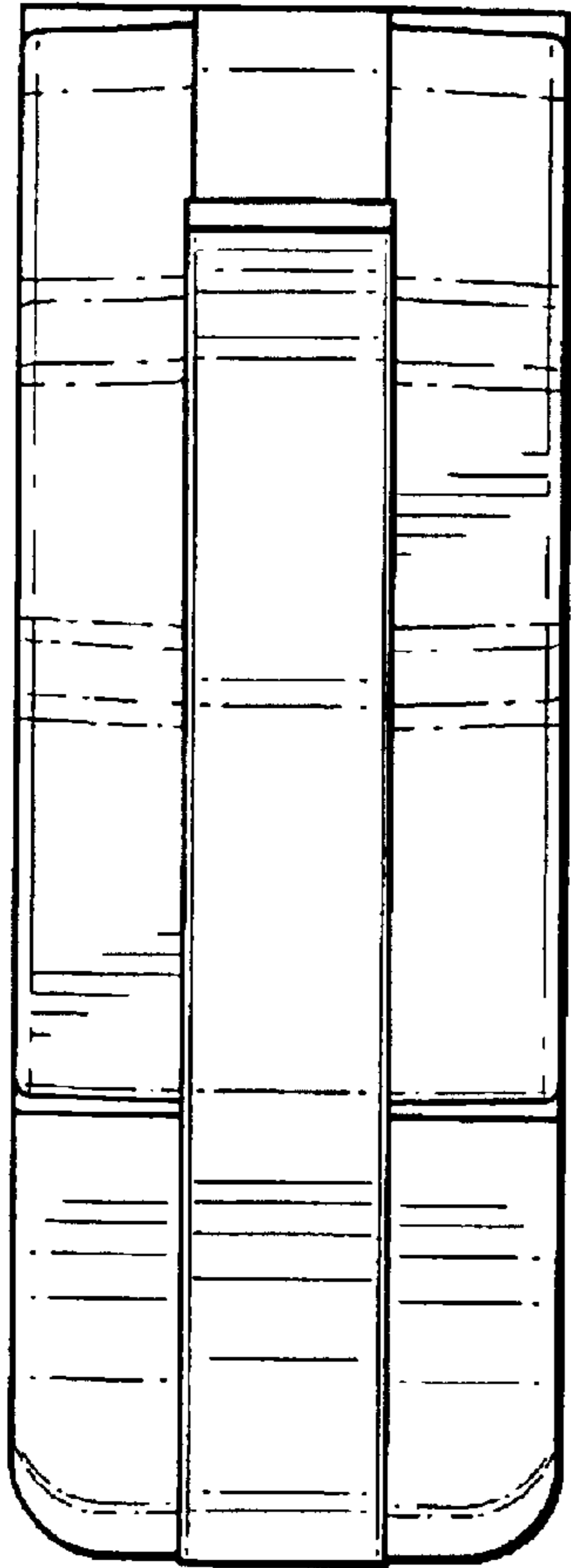


FIG. 3

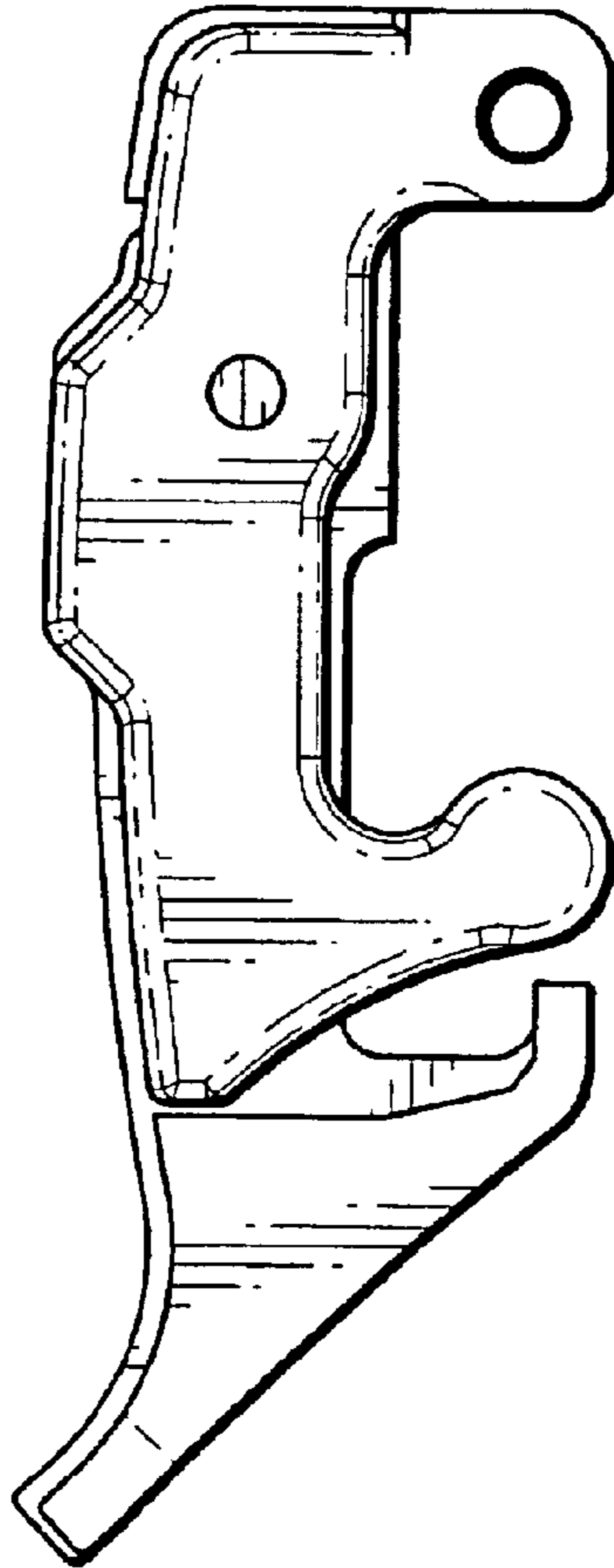


FIG. 4

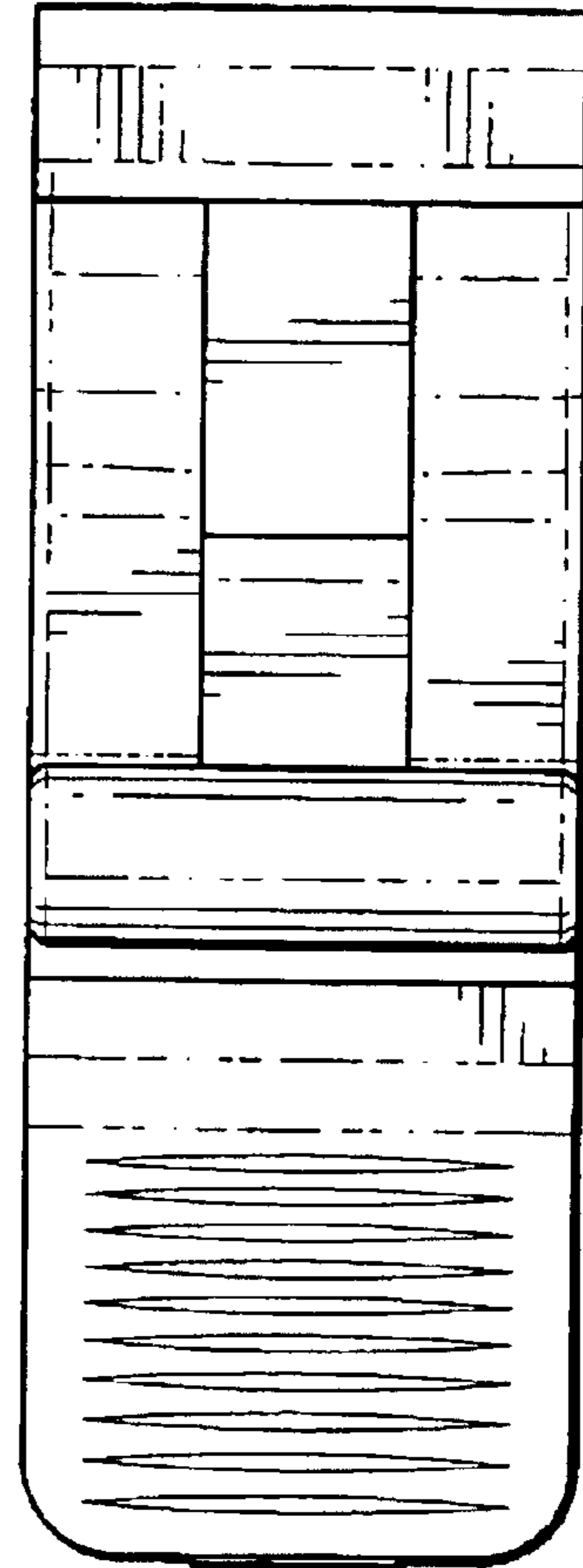


FIG. 5

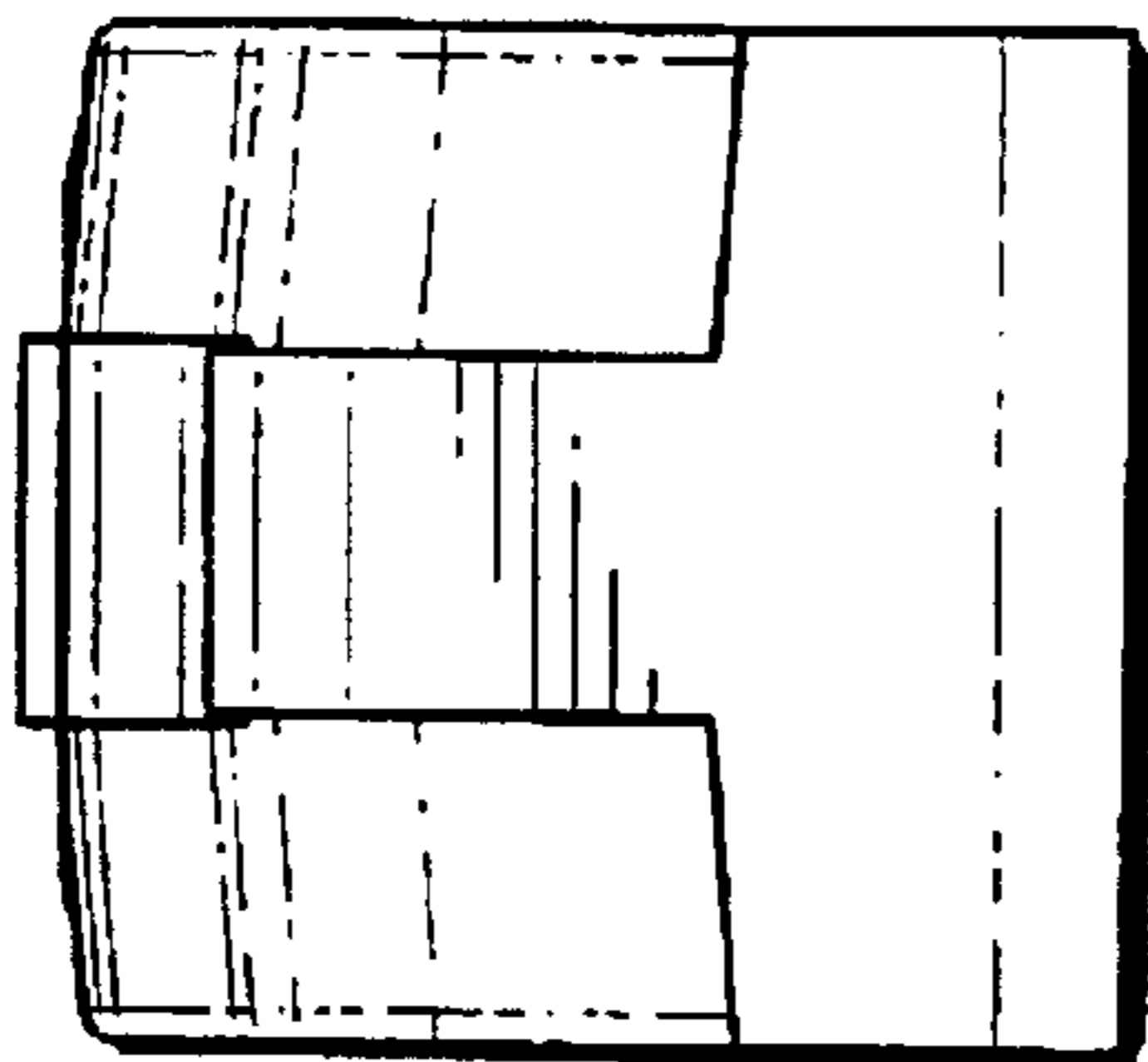


FIG. 6

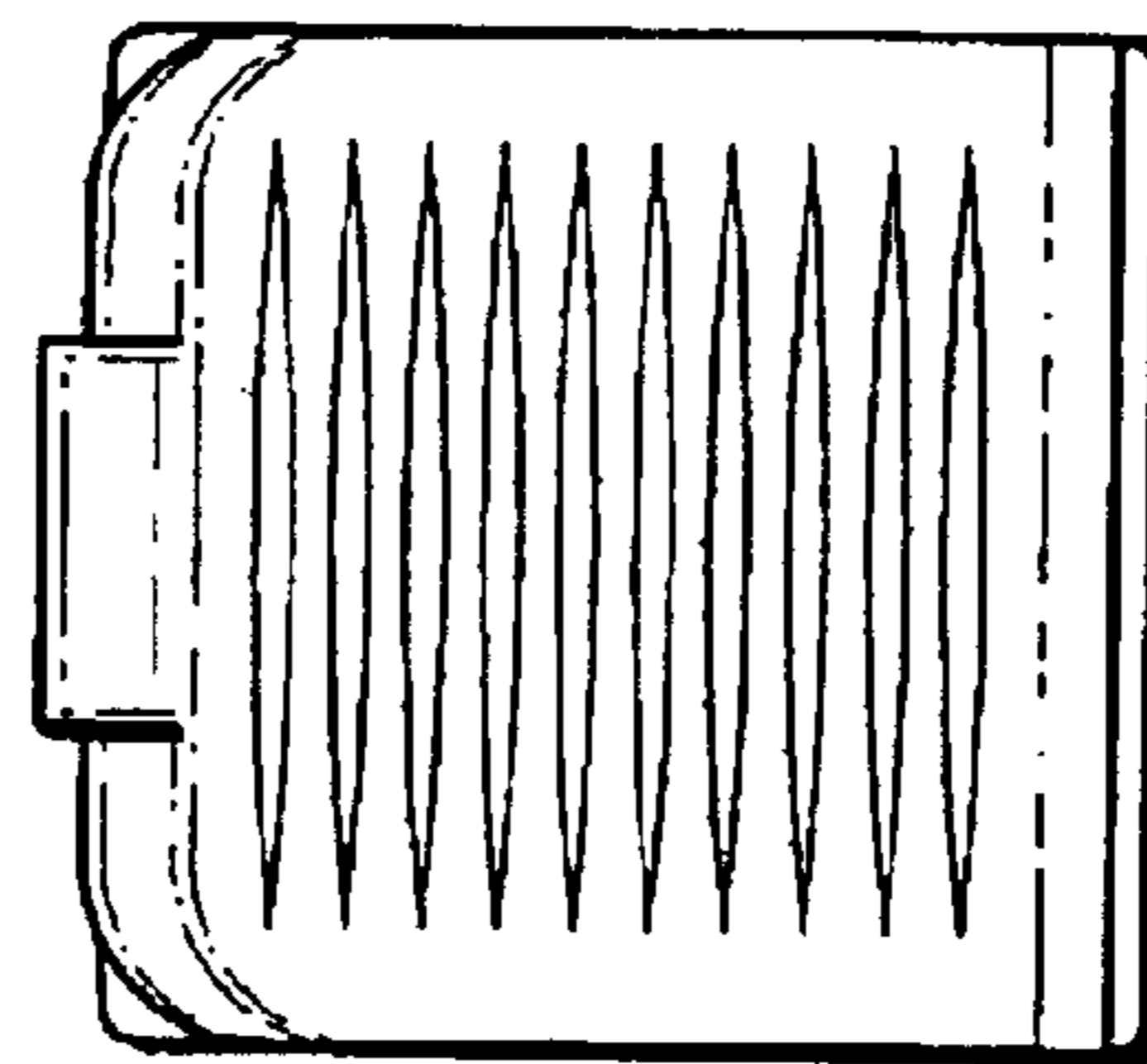


FIG. 7

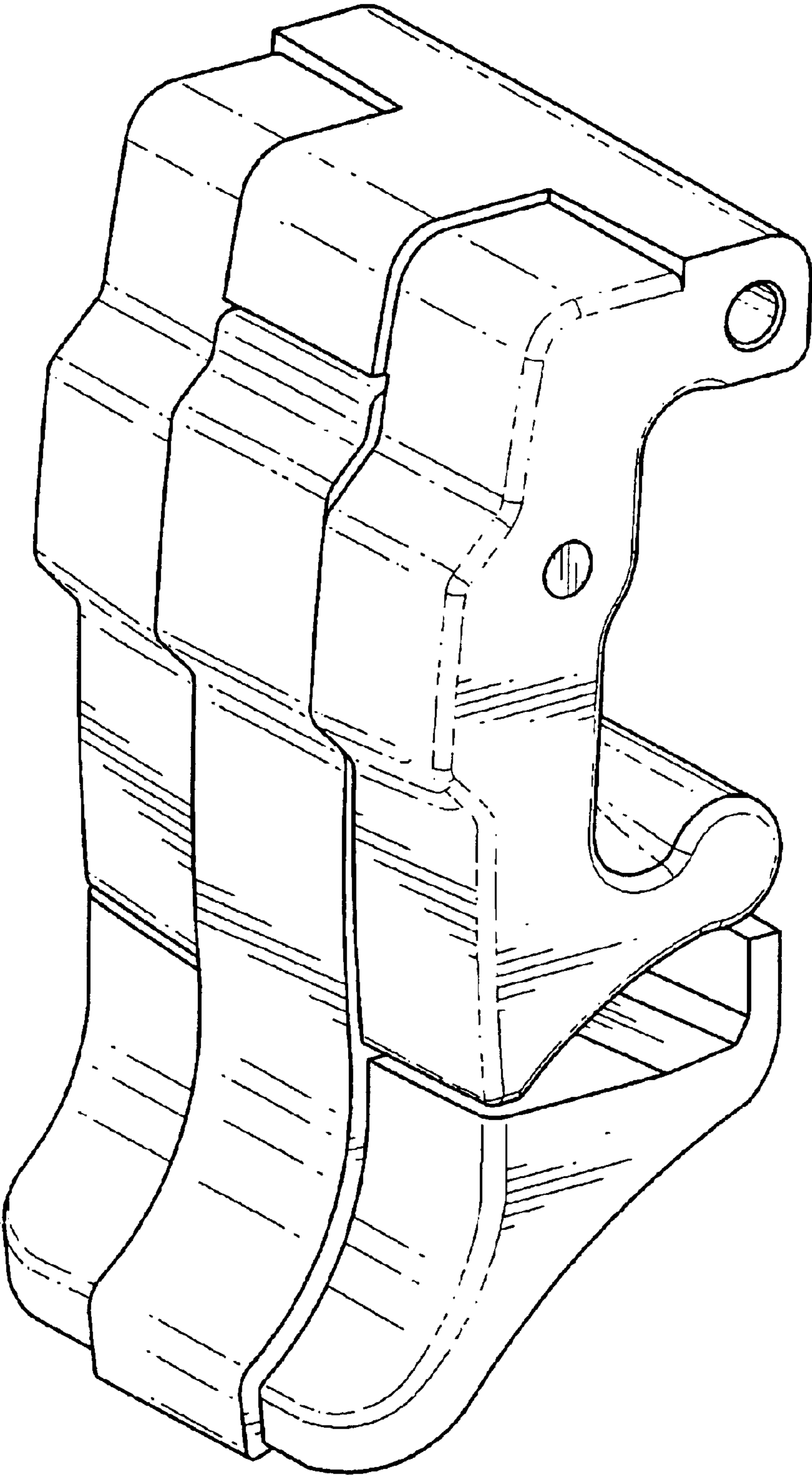


FIG. 8

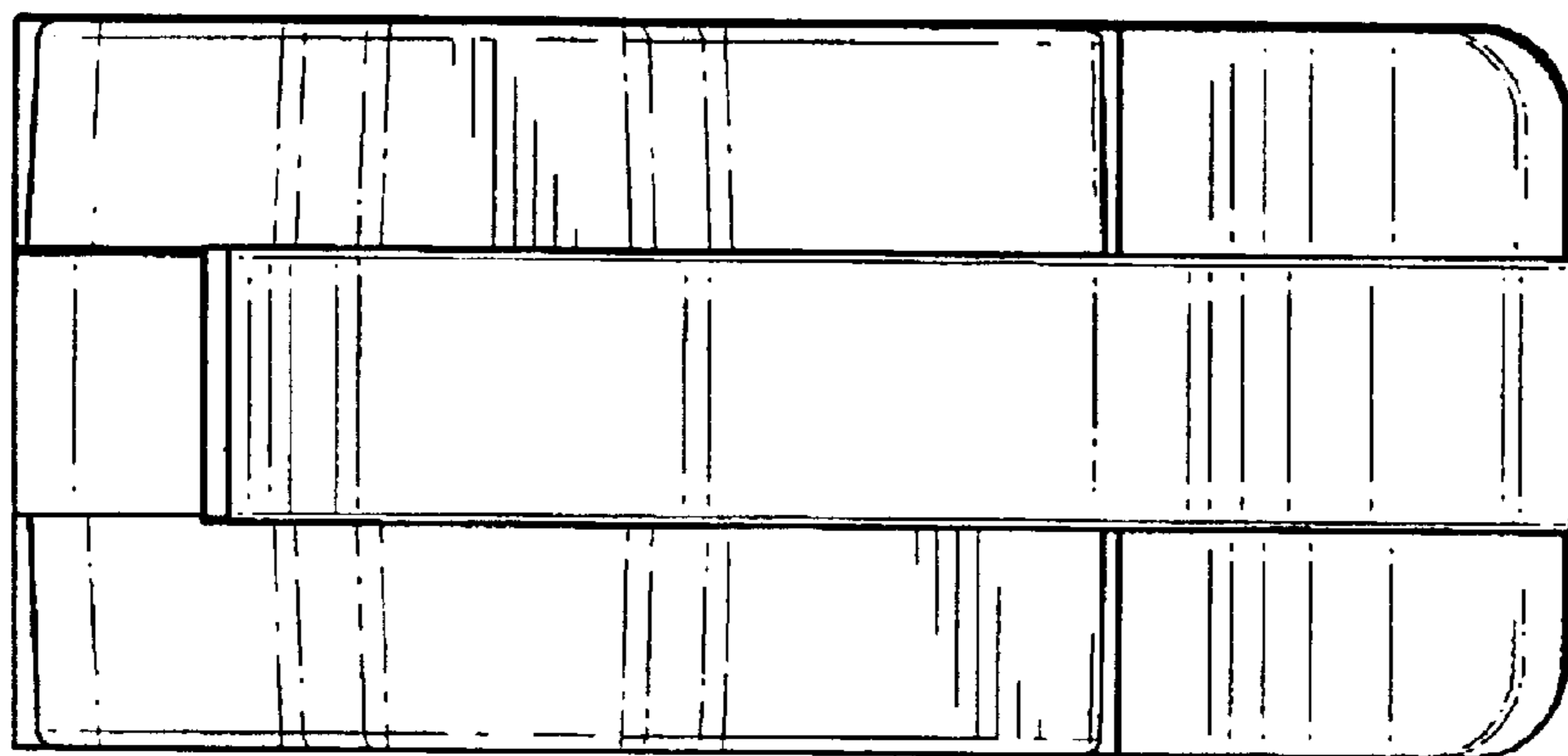


FIG. 9

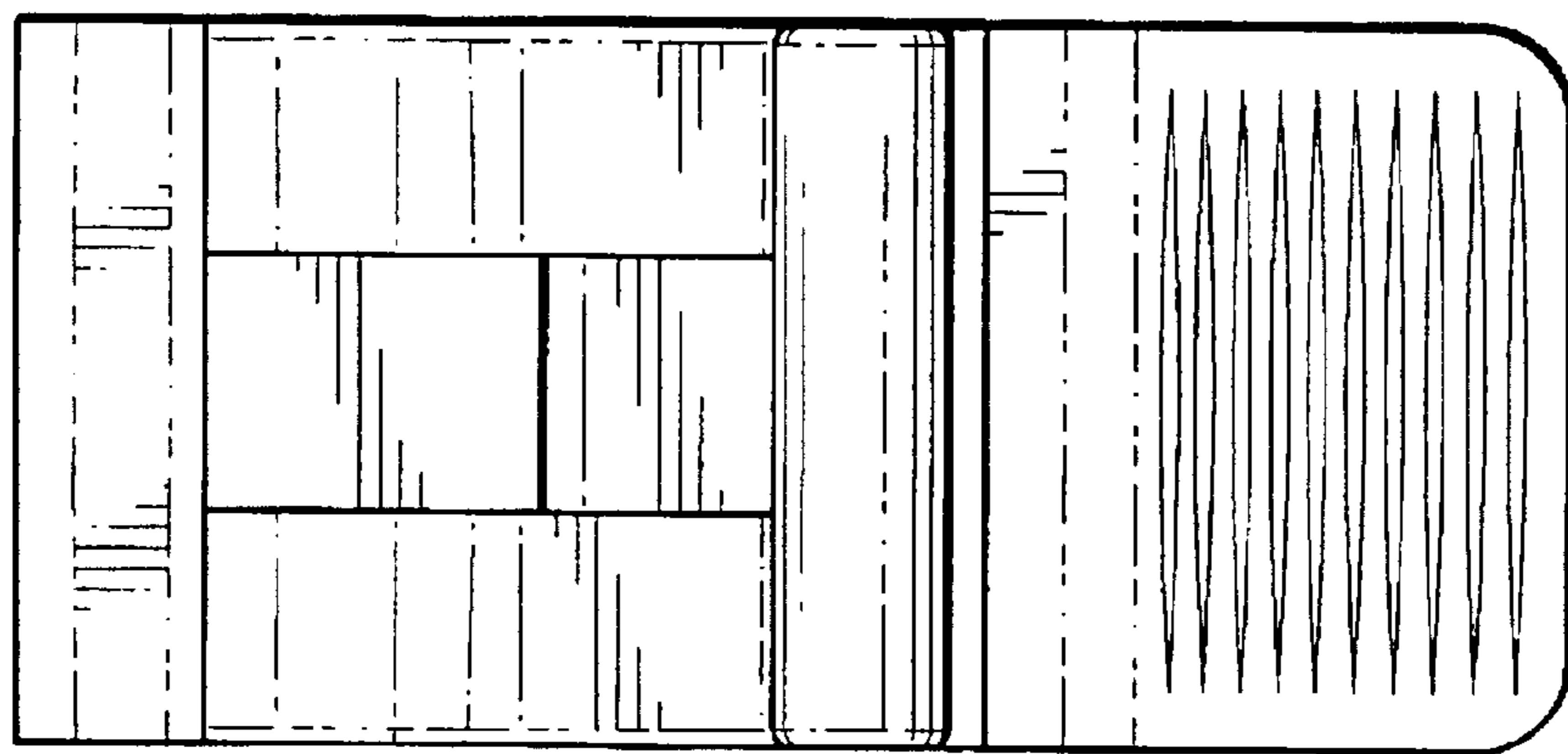


FIG. 10

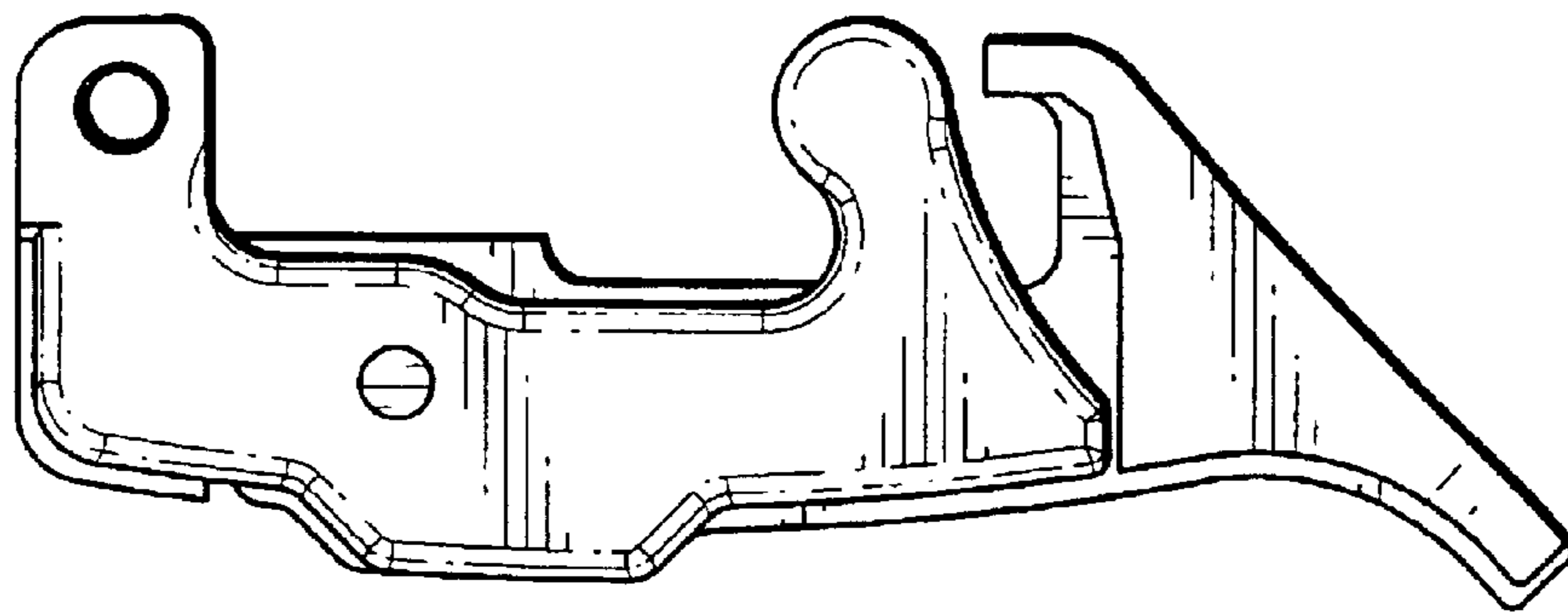


FIG. 11

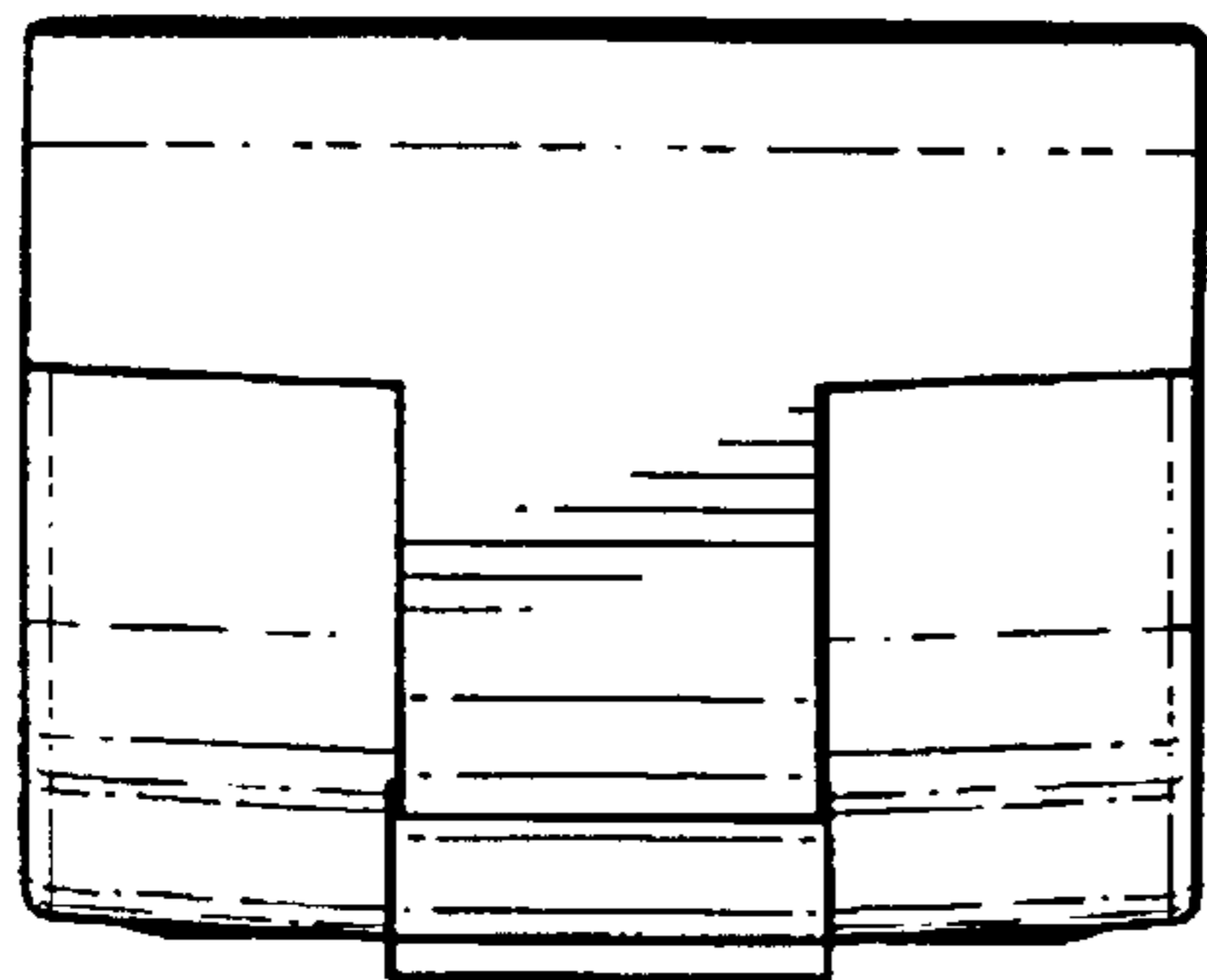


FIG. 12

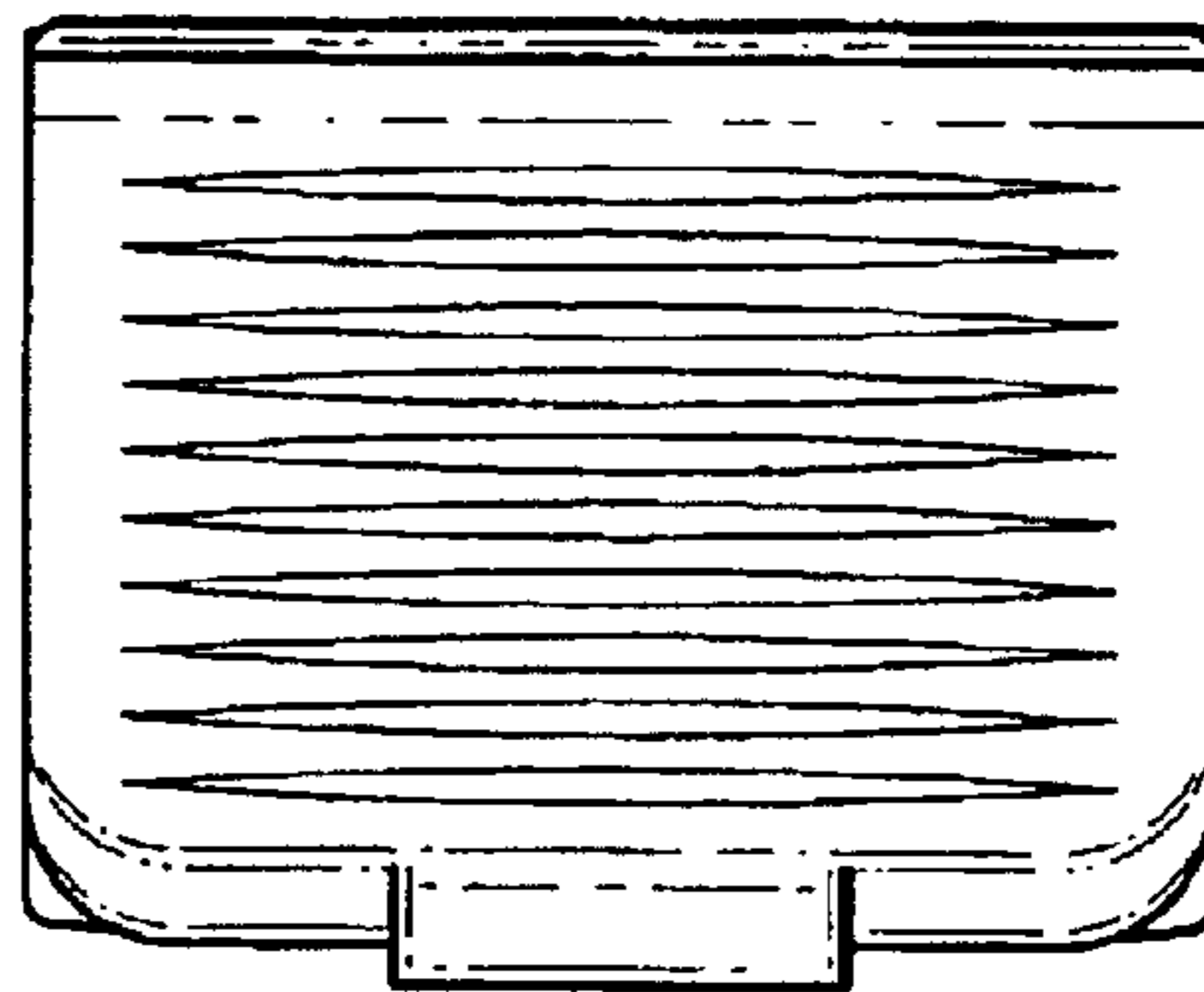


FIG. 13