



US00D492180S1

(12) **United States Design Patent**
Bertani

(10) **Patent No.:** **US D492,180 S**
(45) **Date of Patent:** **** Jun. 29, 2004**

(54) **TWO-SPOKE HANDWHEEL**

(74) *Attorney, Agent, or Firm*—Pearne & Gordon LLP

(75) **Inventor:** **Alberto Bertani**, Milan (IT)

(57) **CLAIM**

(73) **Assignee:** **Elesa, S.p.A.**, Milan (IT)

The ornamental design for a two-spoke handwheel, as shown and described.

(**) **Term:** **14 Years**

DESCRIPTION

(21) **Appl. No.:** **29/178,085**

FIG. 1 is a first perspective view of my new design for a two-spoke handwheel;

(22) **Filed:** **Mar. 20, 2003**

FIG. 2 is a top view of FIG. 1;

(51) **LOC (7) Cl.** **08-06**

FIG. 3 is a front view of FIG. 1, a back view being a mirror image thereof;

(52) **U.S. Cl.** **D8/309**; D8/308

FIG. 4 is a right side view of FIG. 1;

(58) **Field of Search** D8/300, 306–310,
D8/352; D15/142; 74/545, 552, 553, 555–558;
16/429, 432

FIG. 5 is a left side view of FIG. 1;

FIG. 6 is a bottom view of FIG. 1;

FIG. 7 is a perspective view of a second embodiment of my new design for a two-spoke handwheel;

(56) **References Cited**

U.S. PATENT DOCUMENTS

4,155,589	A	*	5/1979	Kouth	74/545
4,219,232	A		8/1980	Kouth		
4,583,420	A		4/1986	Miley		
D289,370	S		4/1987	Bertani		
4,860,423	A		8/1989	Baynes		
D336,233	S	*	6/1993	Zimmermann	D8/309
D369,966	S		5/1996	Decursu et al.		
D373,064	S		8/1996	Decursu et al.		
D463,967	S		10/2002	Bertani		
D464,864	S		10/2002	Bertani		

FIG. 8 is a top view of FIG. 7;

FIG. 9 is a front view of FIG. 7, a back view being a mirror image thereof;

FIG. 10 is a right side view of FIG. 7;

FIG. 11 is a left side view of FIG. 7;

FIG. 12 is a bottom view of FIG. 7;

FIG. 13 is a perspective view of the two-spoke handwheel of FIG. 7 showing a side handle portion in a folded position;

FIG. 14 is a top view of FIG. 13;

FIG. 15 is a front view of FIG. 13, a back view being identical thereto;

FIG. 16 is a left side view of FIG. 13; and,

FIG. 17 is a right side view of FIG. 13.

The broken lines shown in FIGS. 1–5, 7–11, 13, 14 and 16 represent environmental structure and form no part of the claimed design.

FOREIGN PATENT DOCUMENTS

WO DM/029 270 4/1994

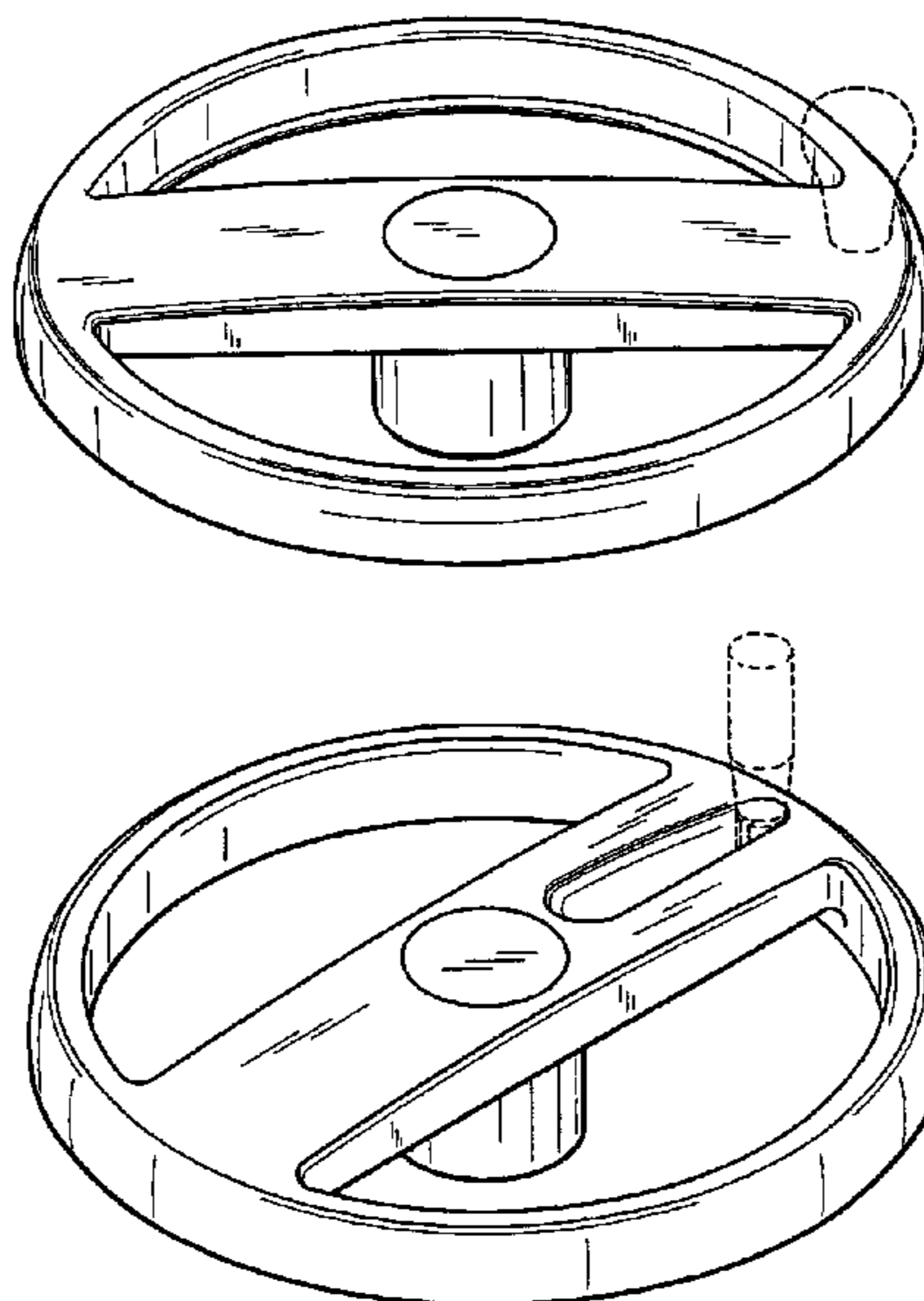
OTHER PUBLICATIONS

Kipp/Elesa, Elesa Handwheels, Oct. 29, 1974.

* cited by examiner

Primary Examiner—Nanda Bondade

1 Claim, 8 Drawing Sheets



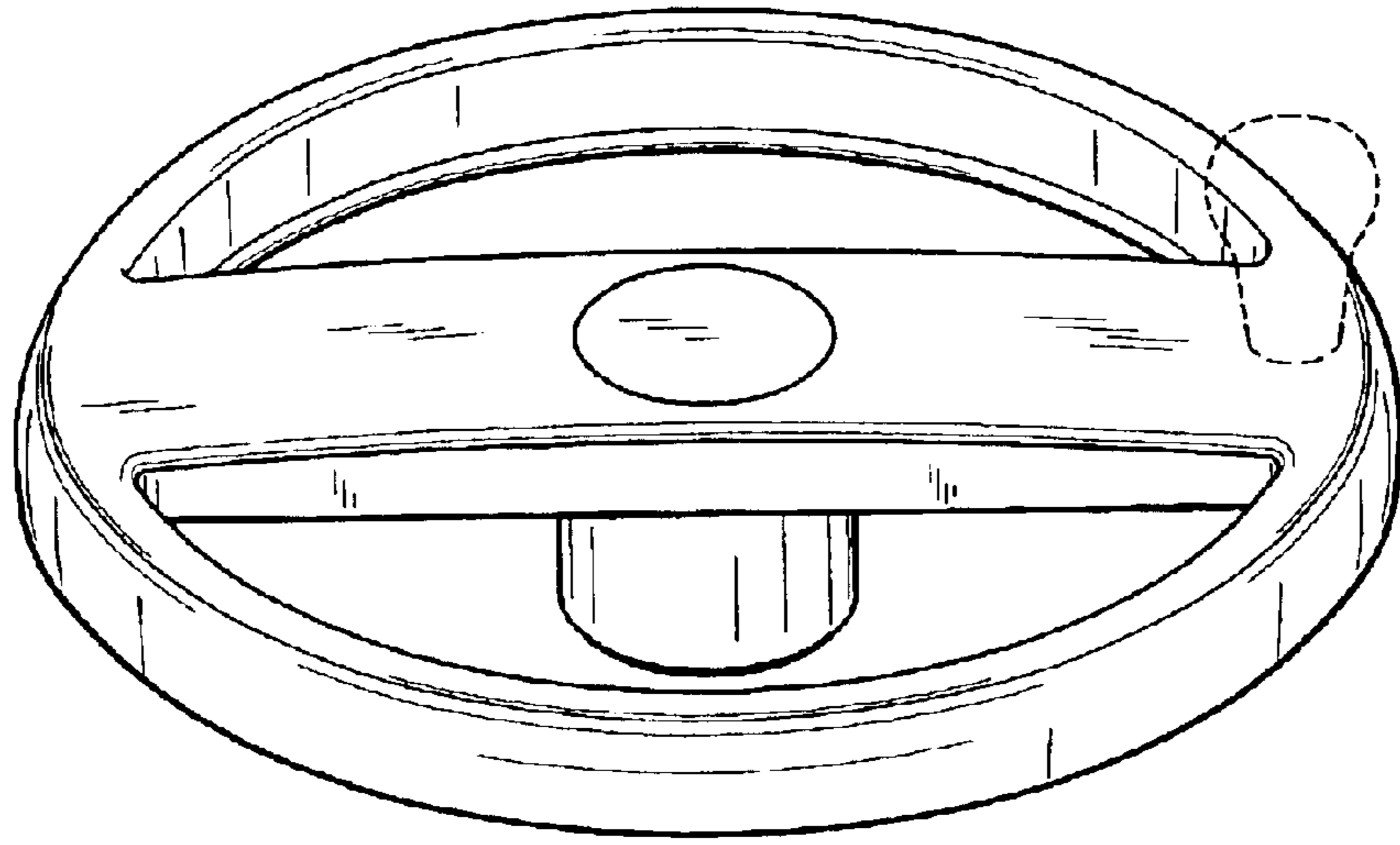


FIG. 1

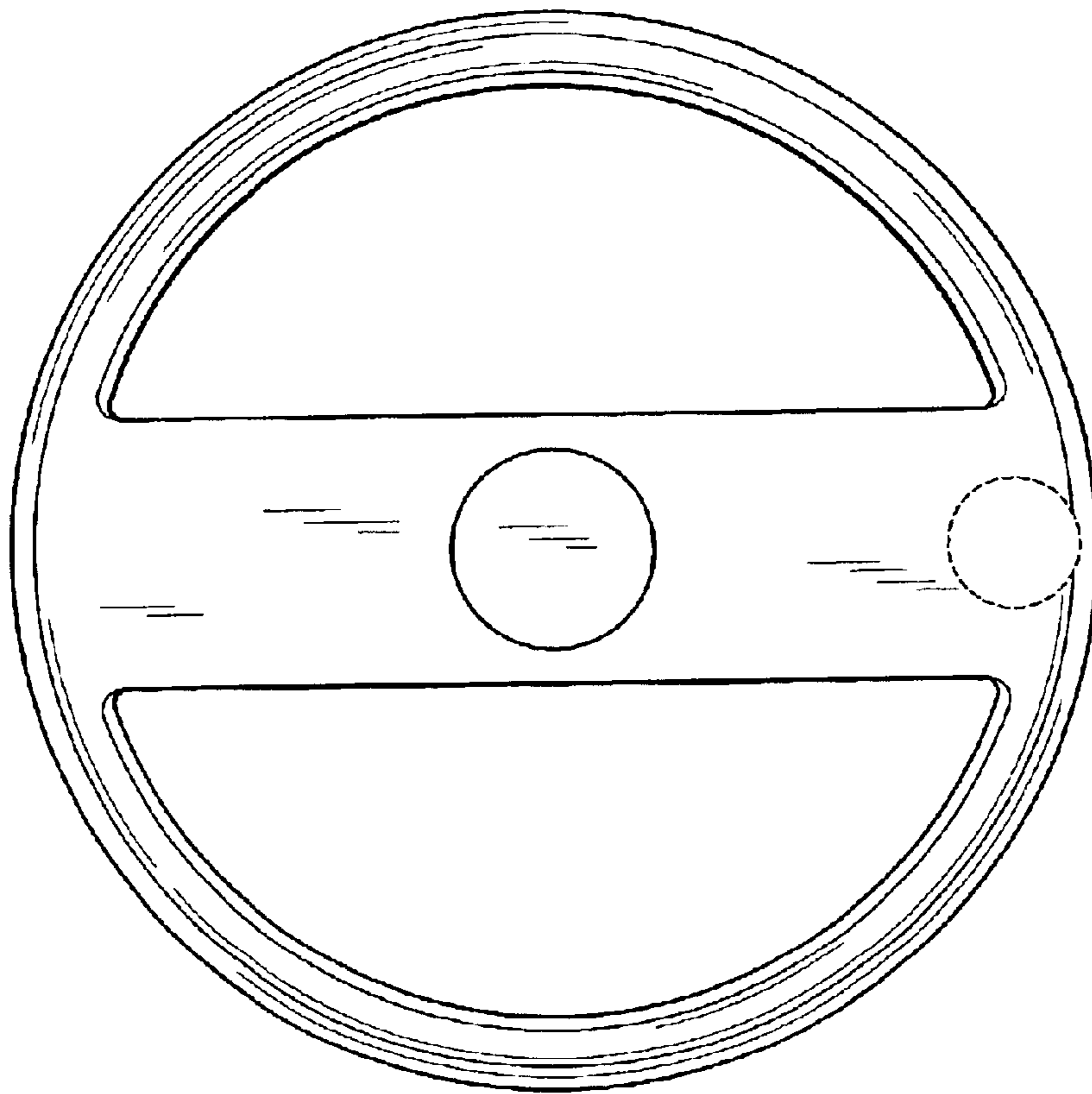


FIG. 2

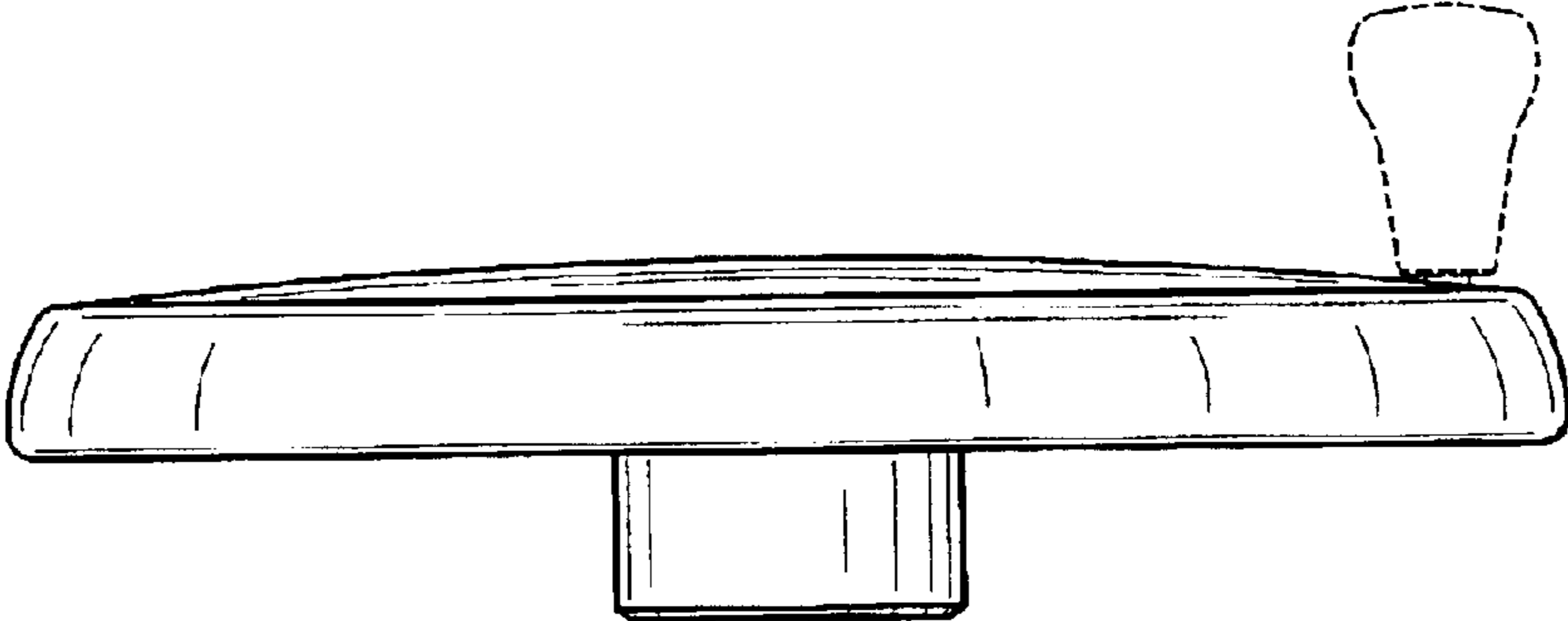


FIG. 3

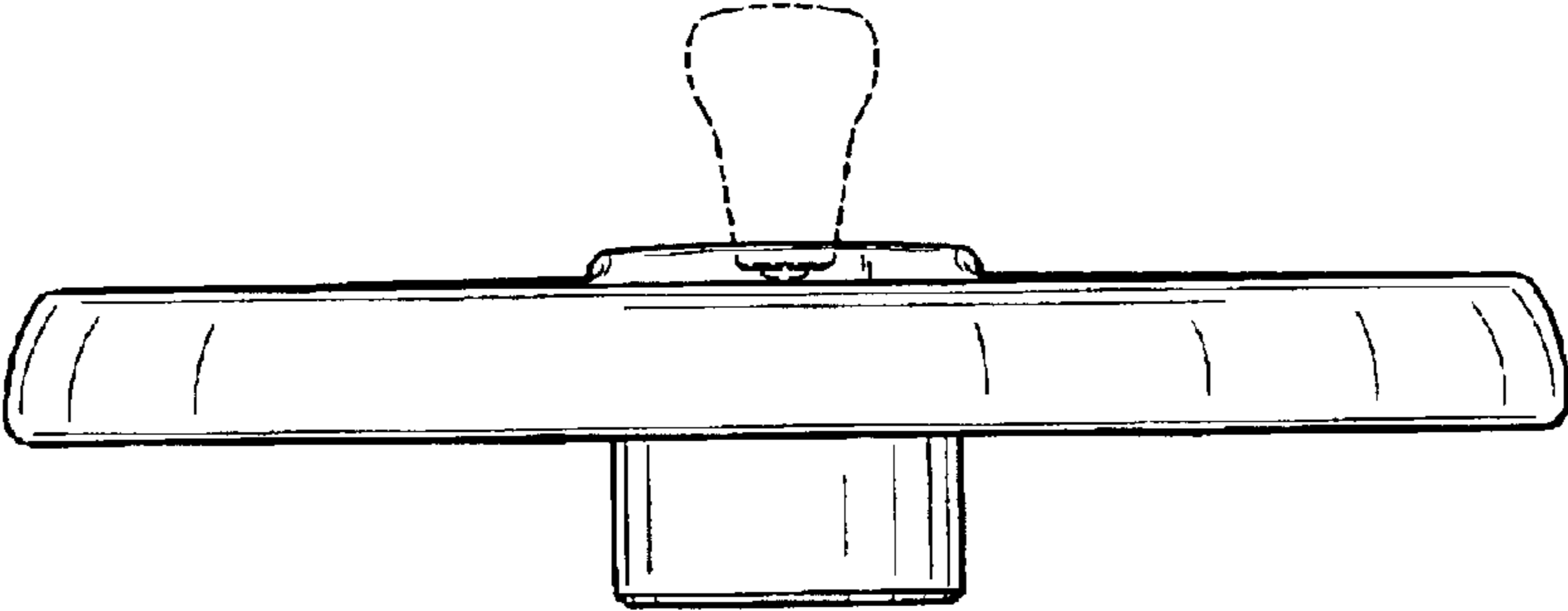


FIG. 4

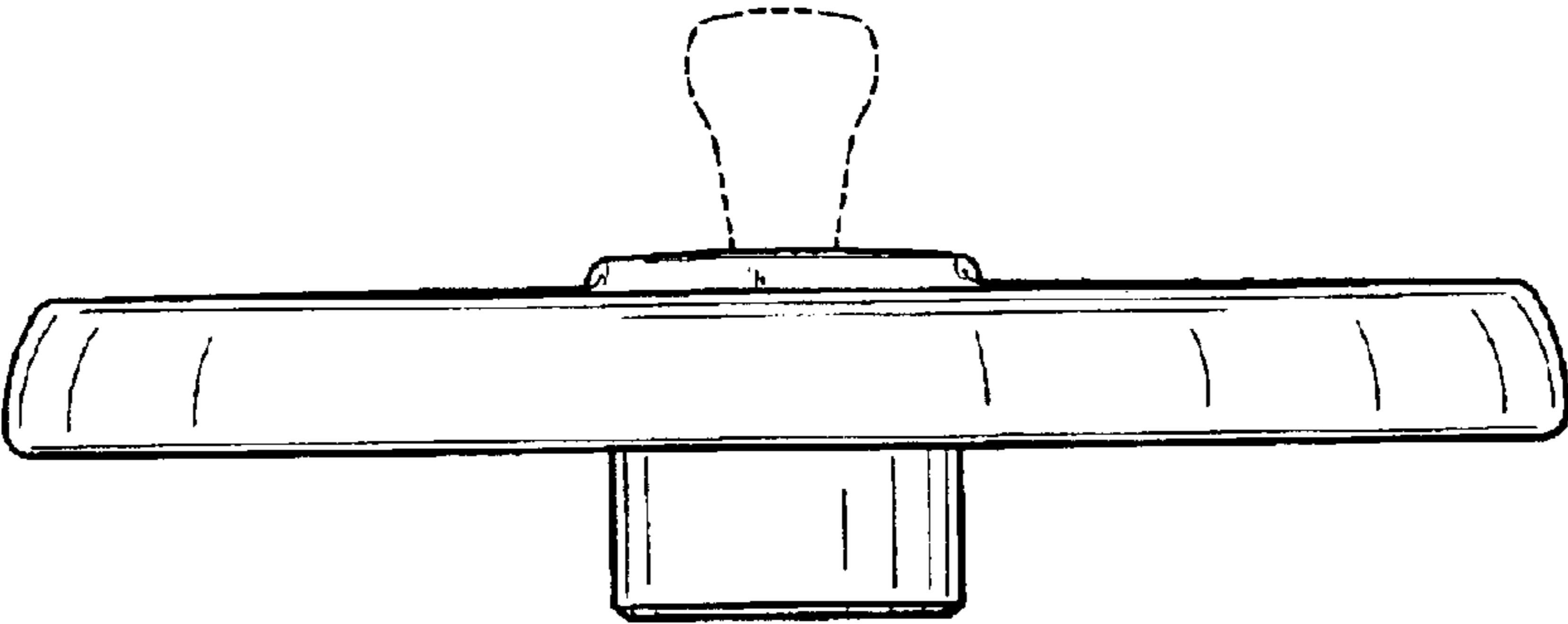


FIG. 5

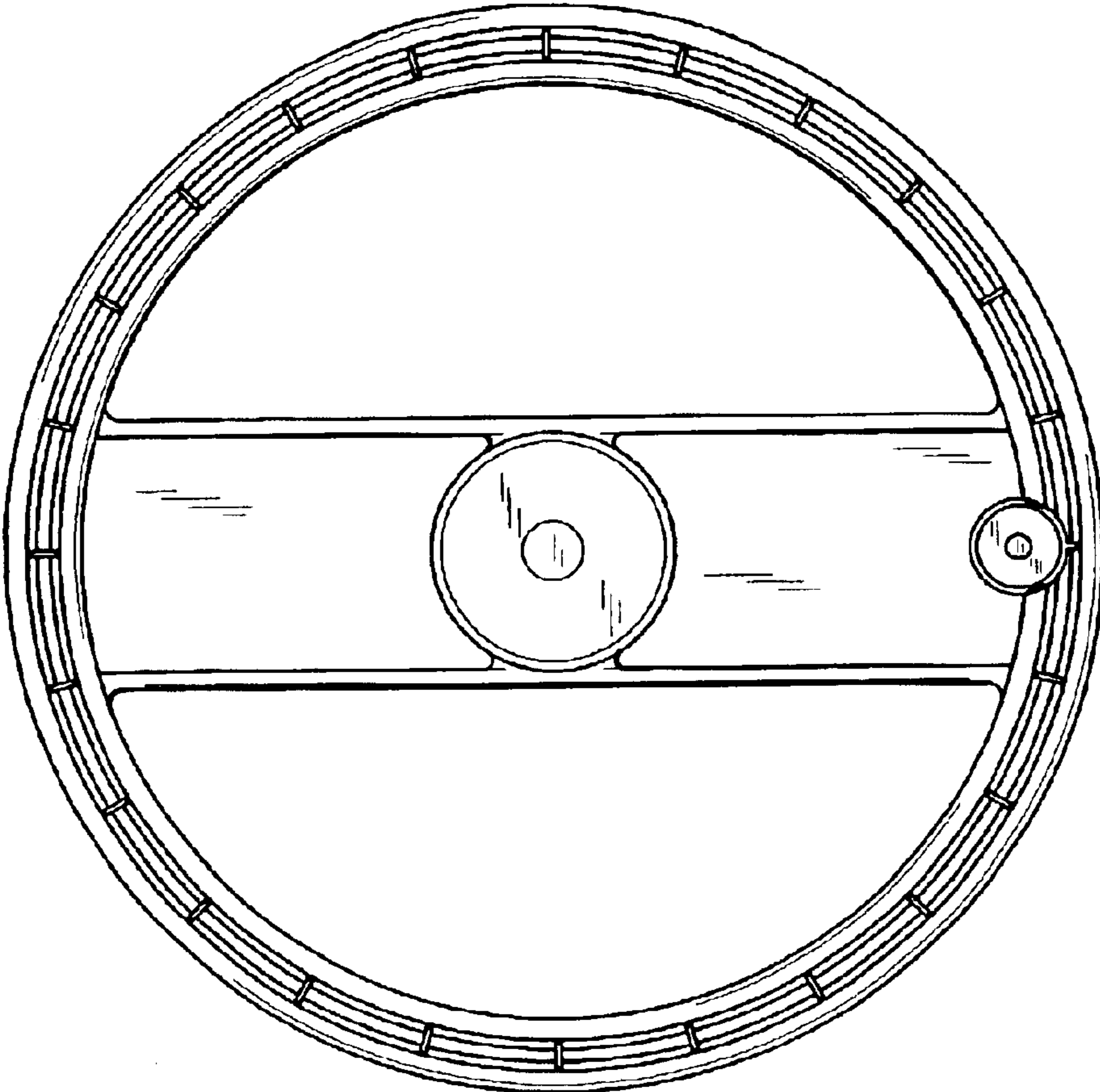


FIG. 6

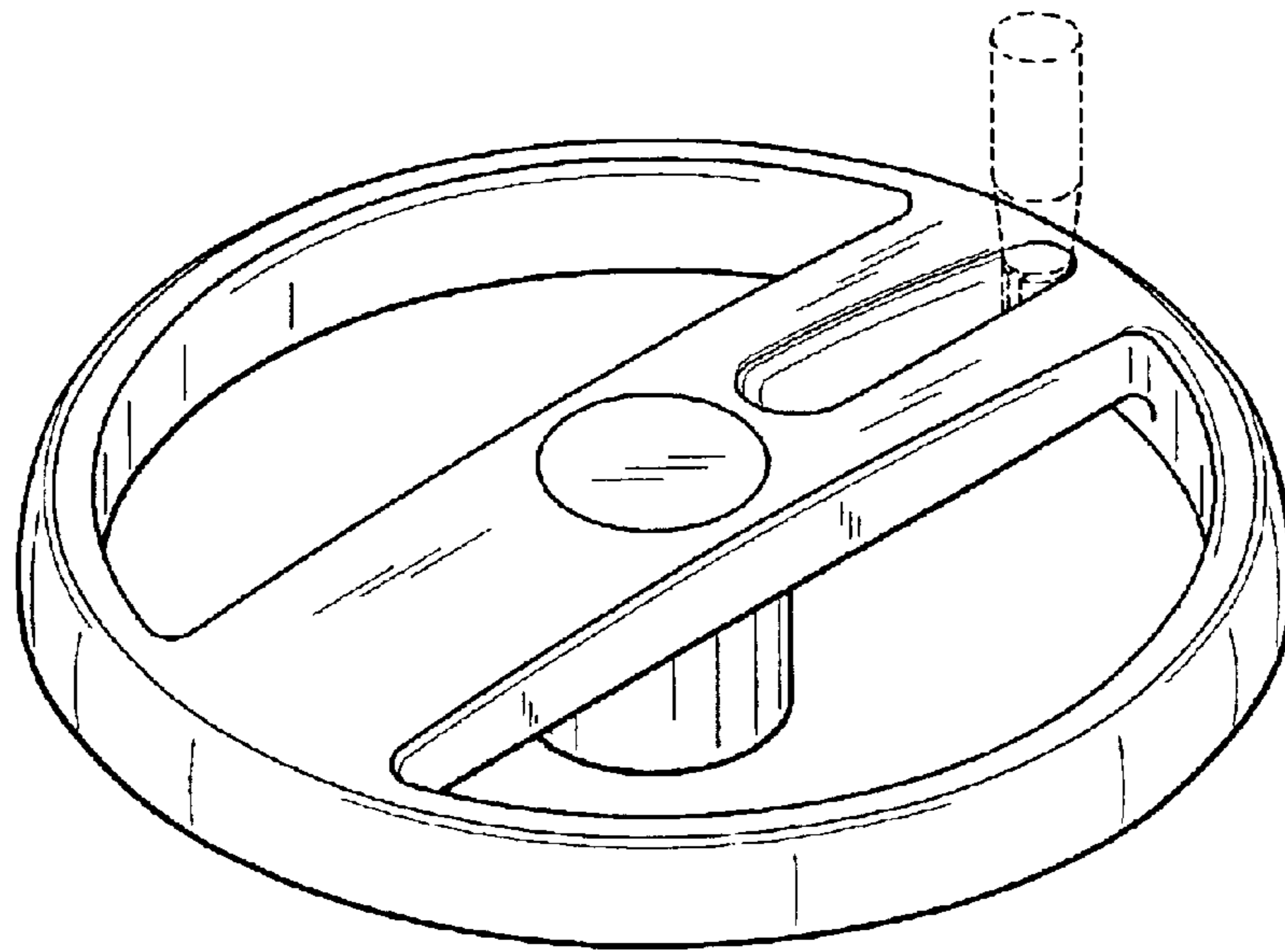


FIG. 7

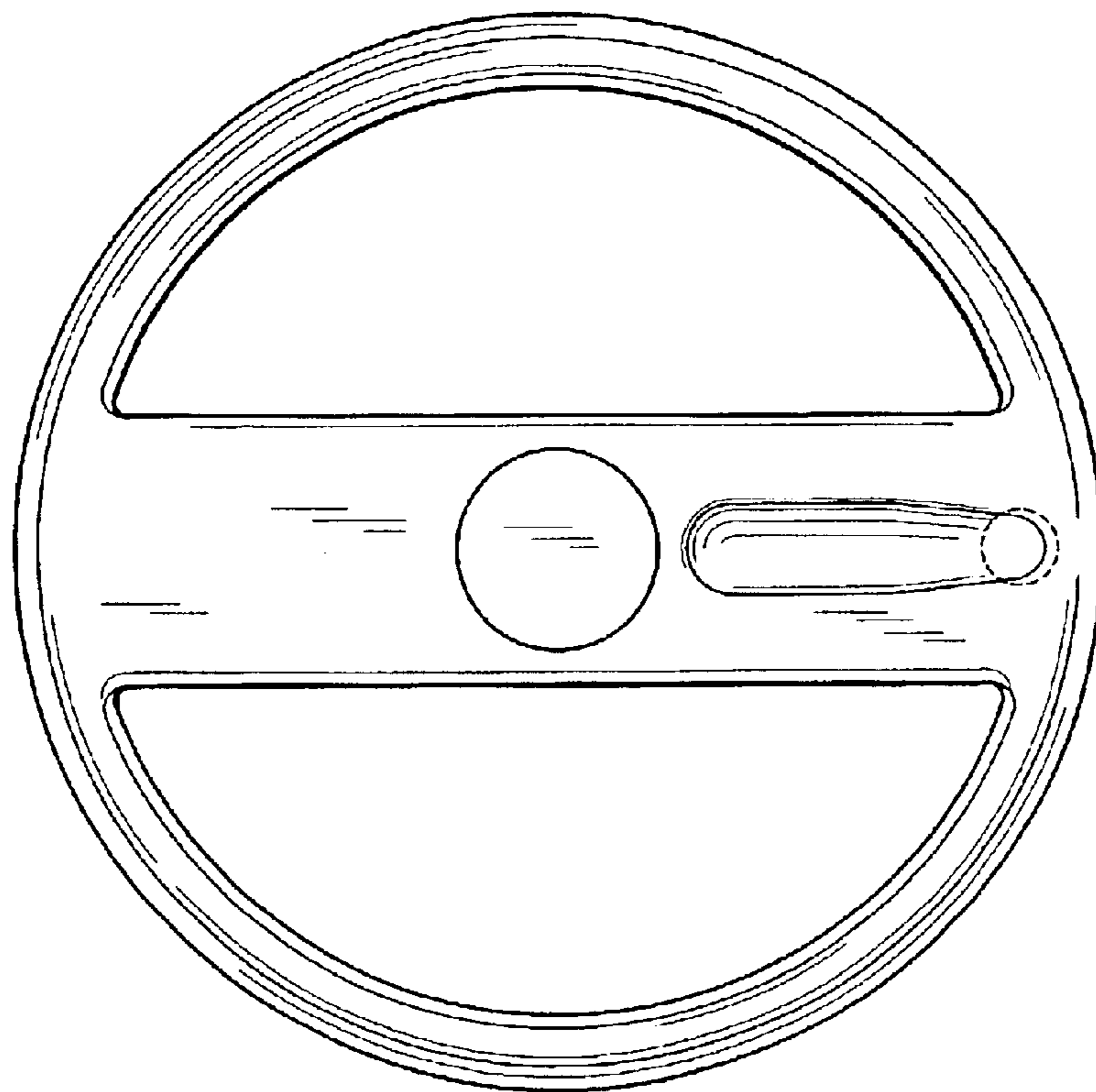


FIG. 8

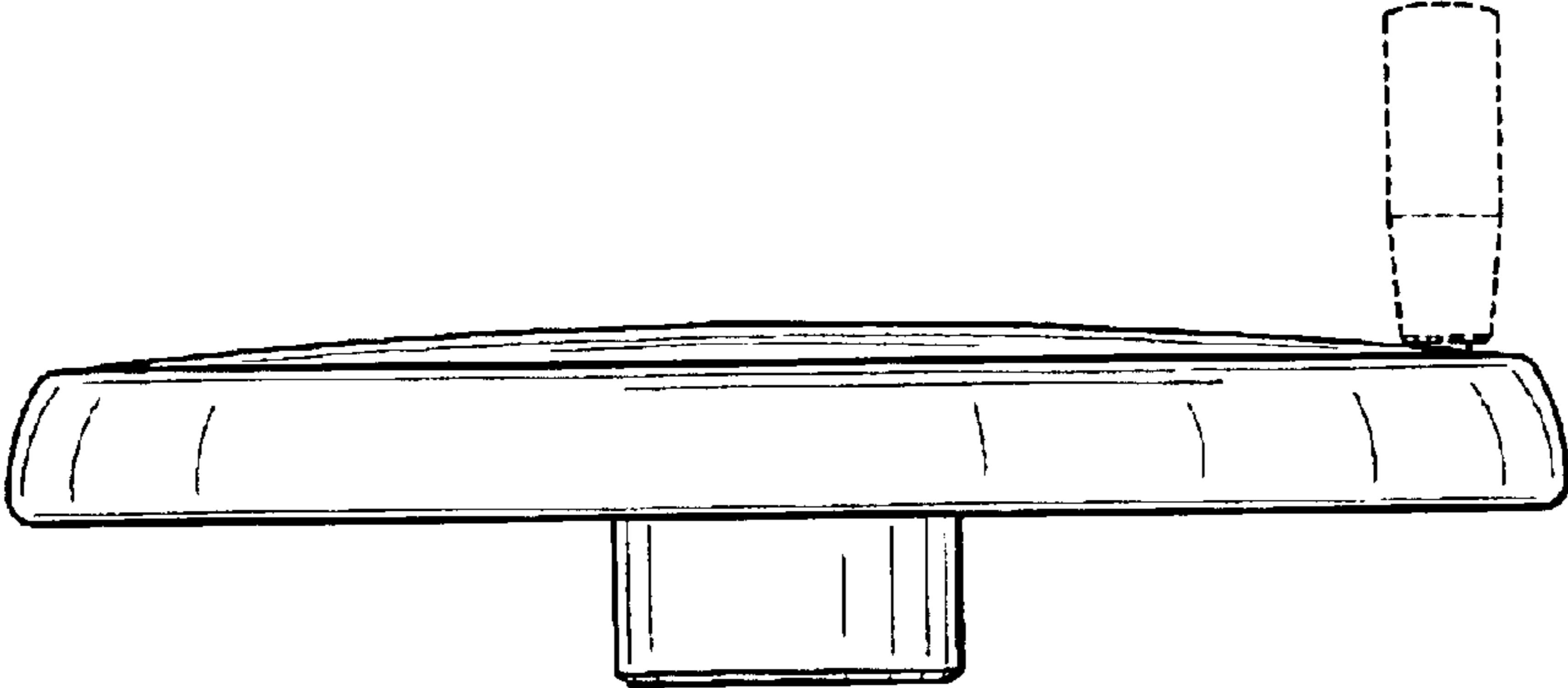


FIG. 9

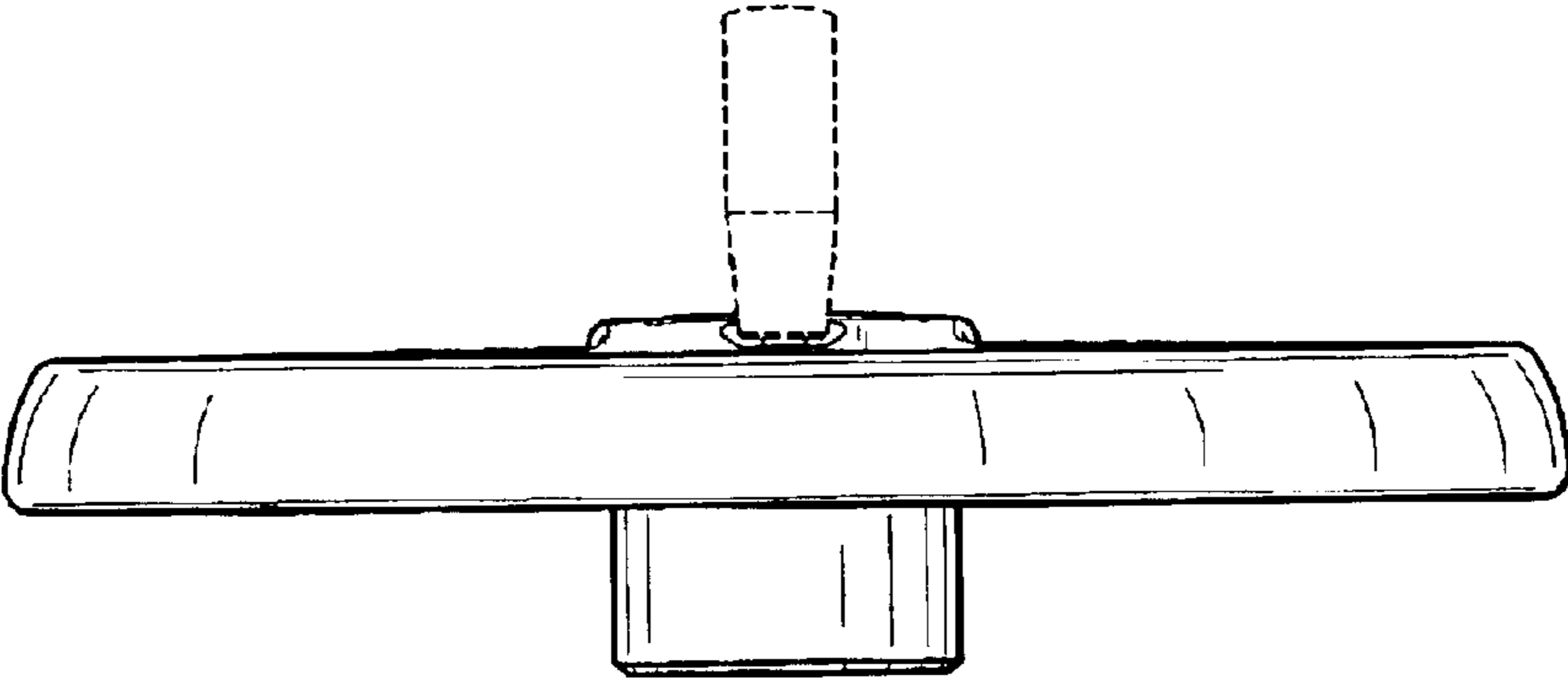


FIG. 10

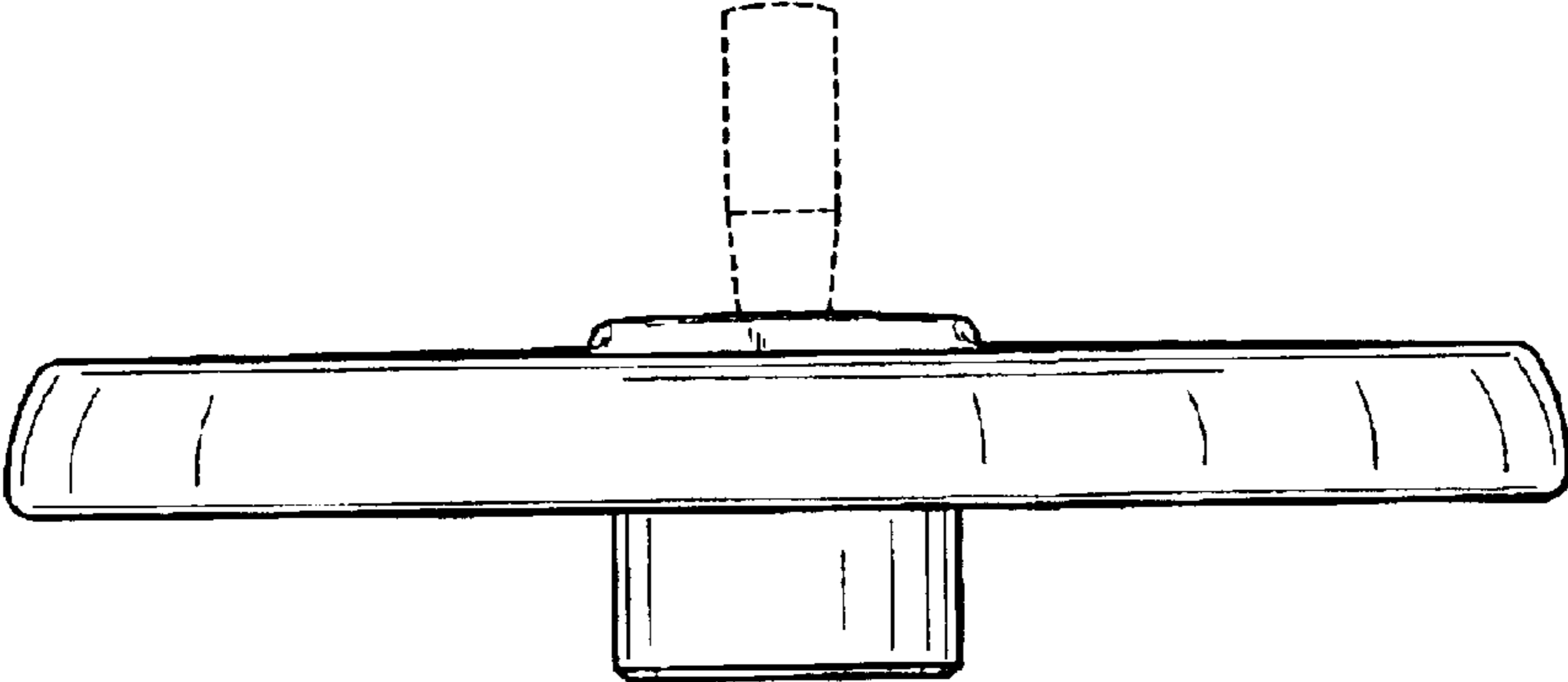


FIG. 11

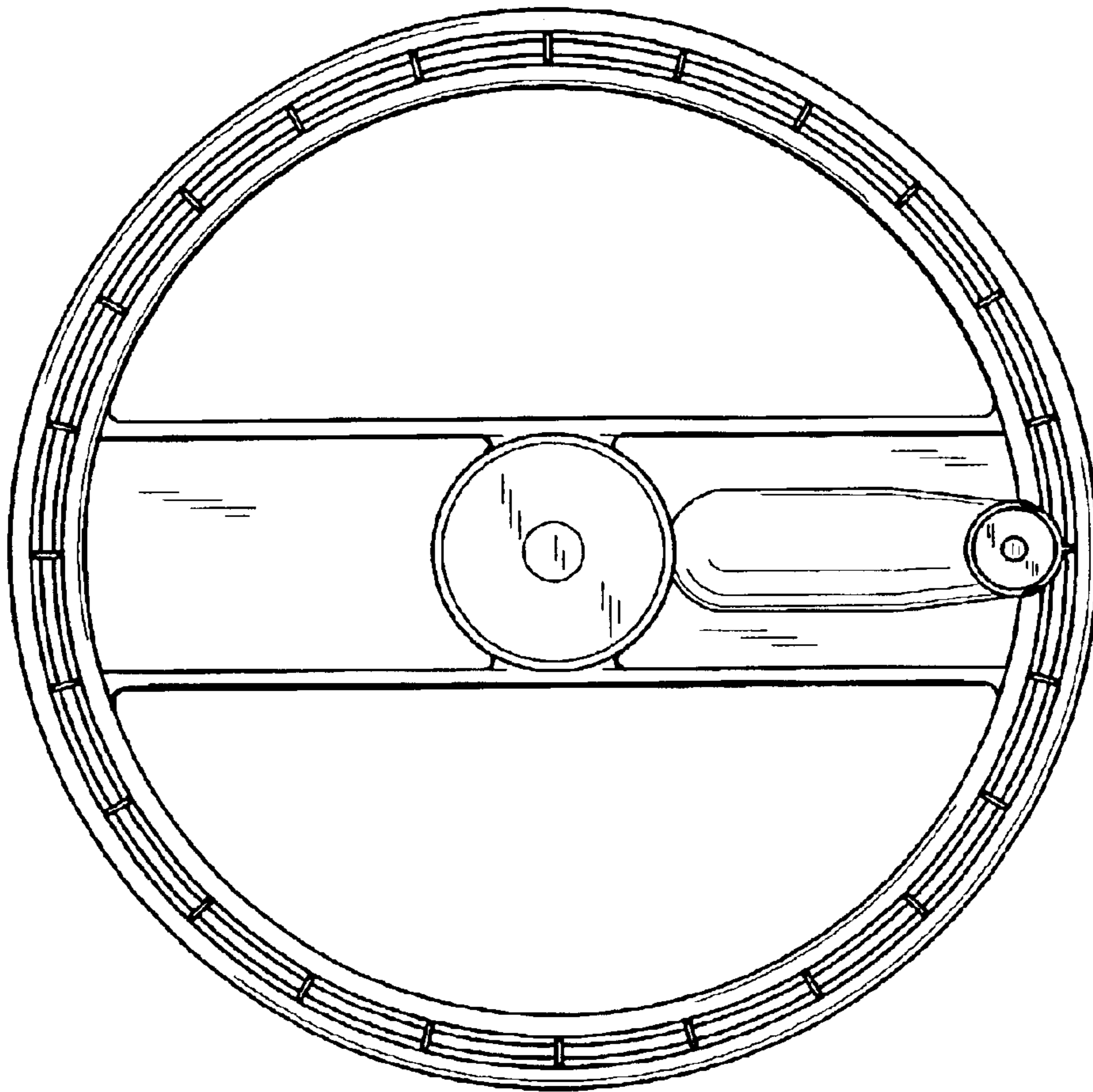


FIG. 12

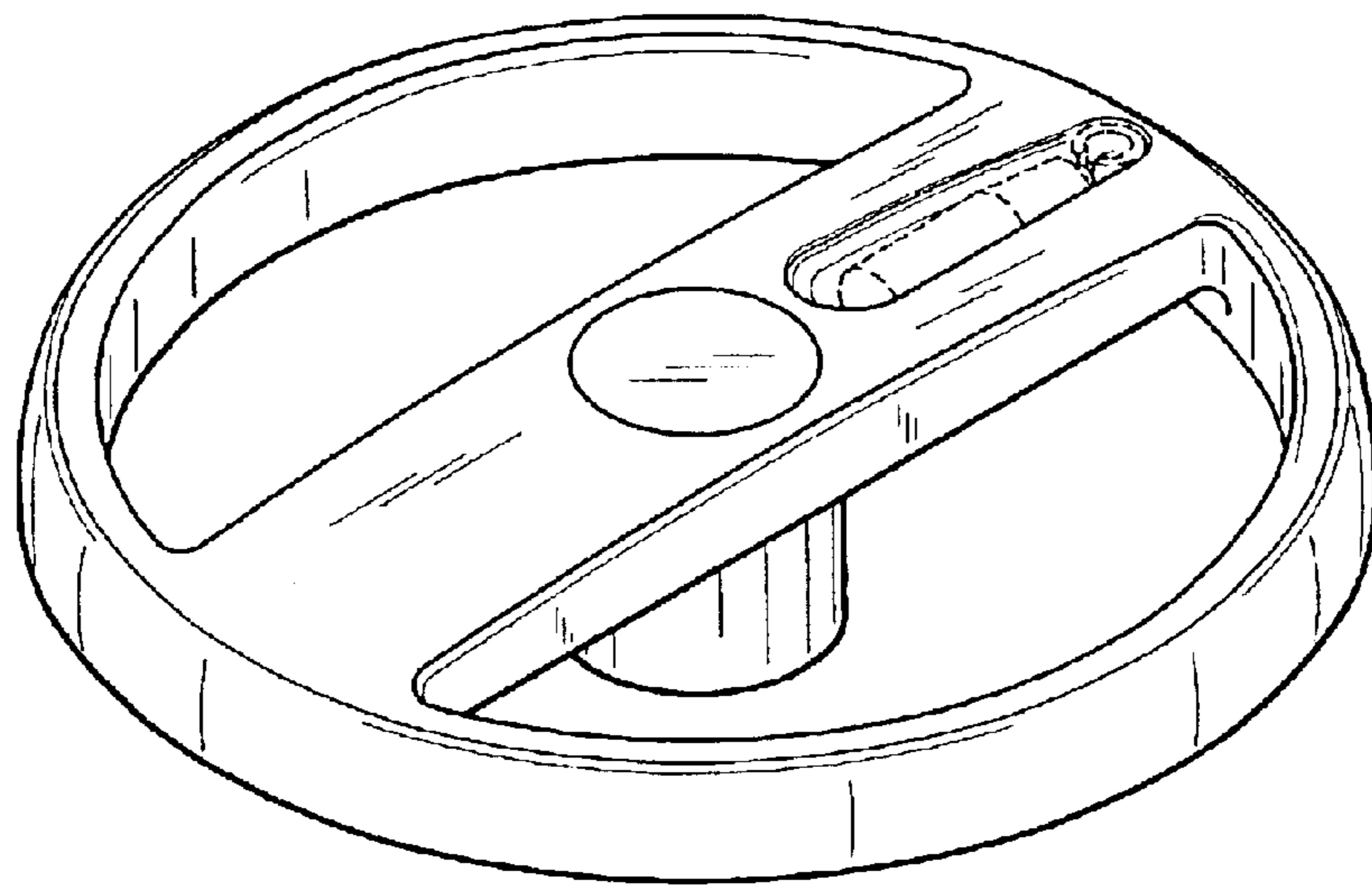


FIG. 13

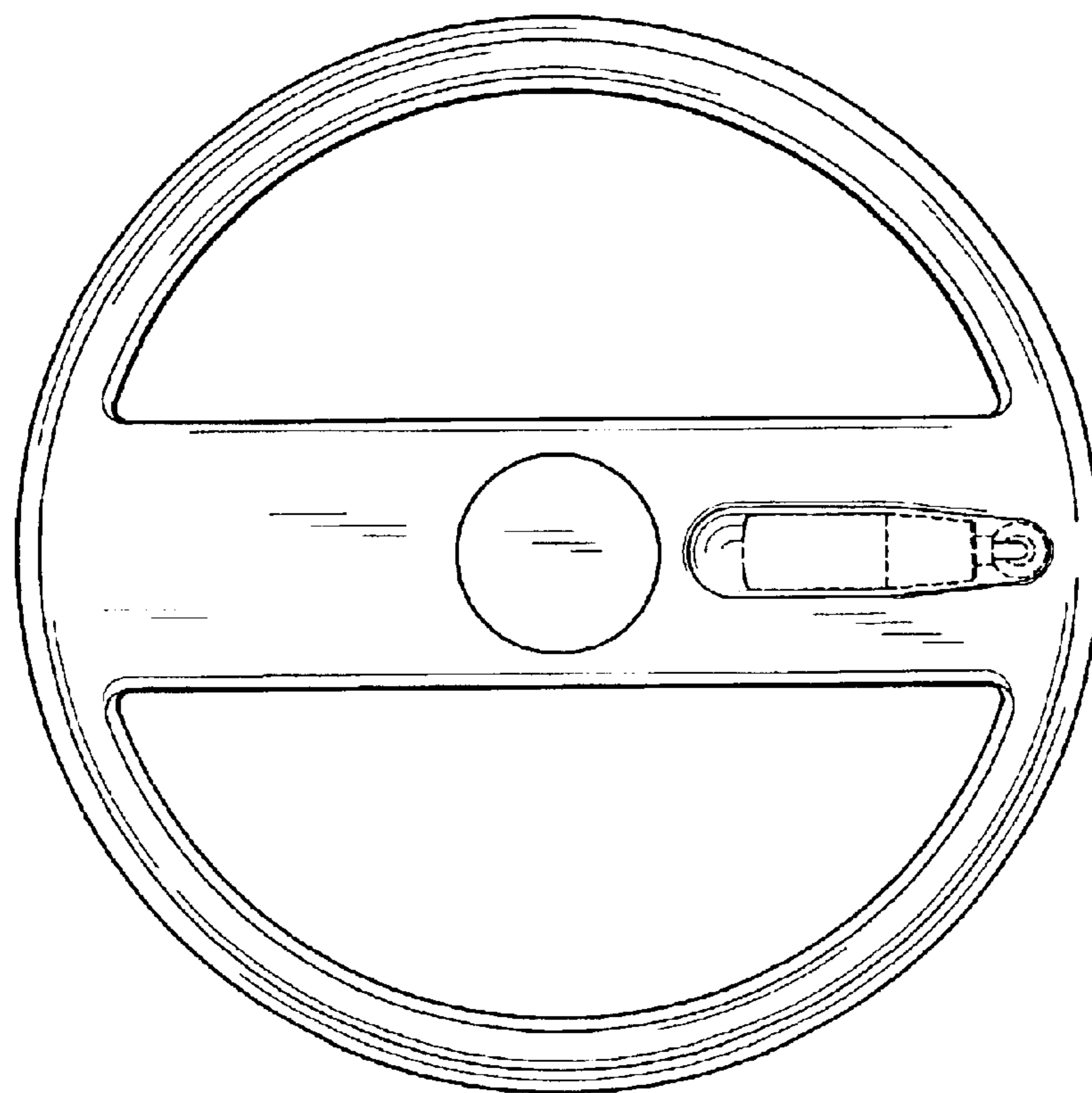


FIG. 14

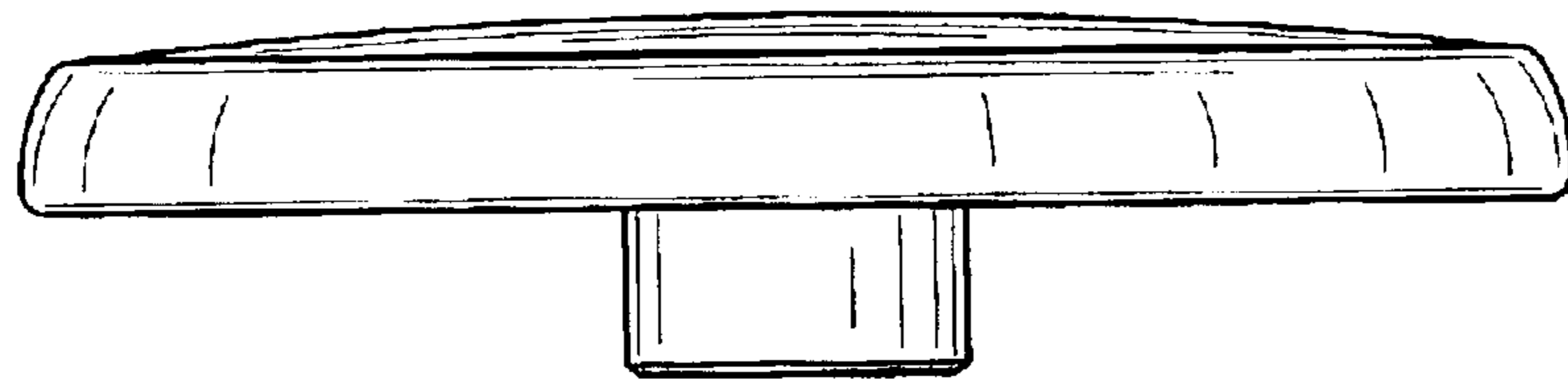


FIG. 15

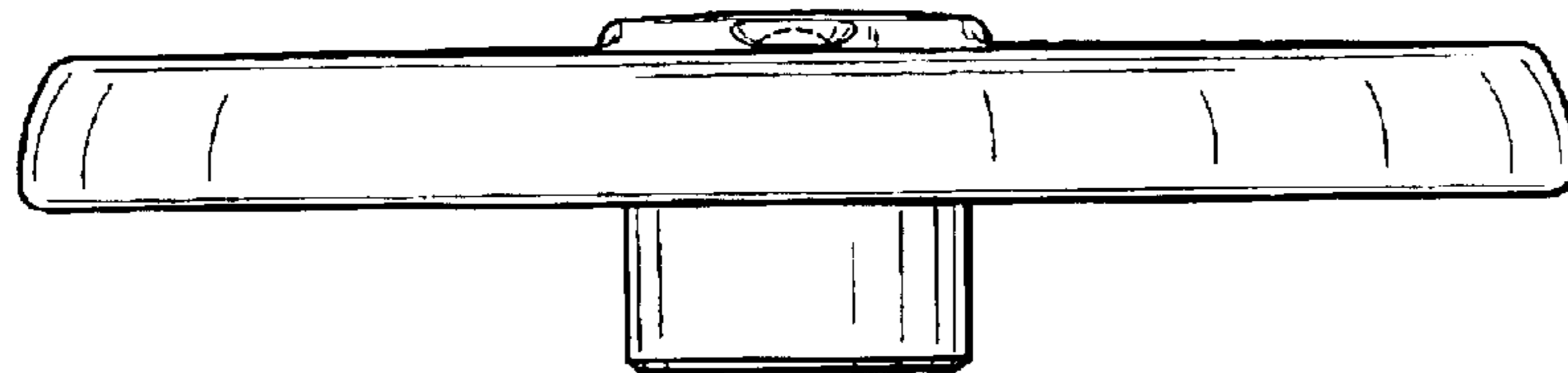


FIG. 16

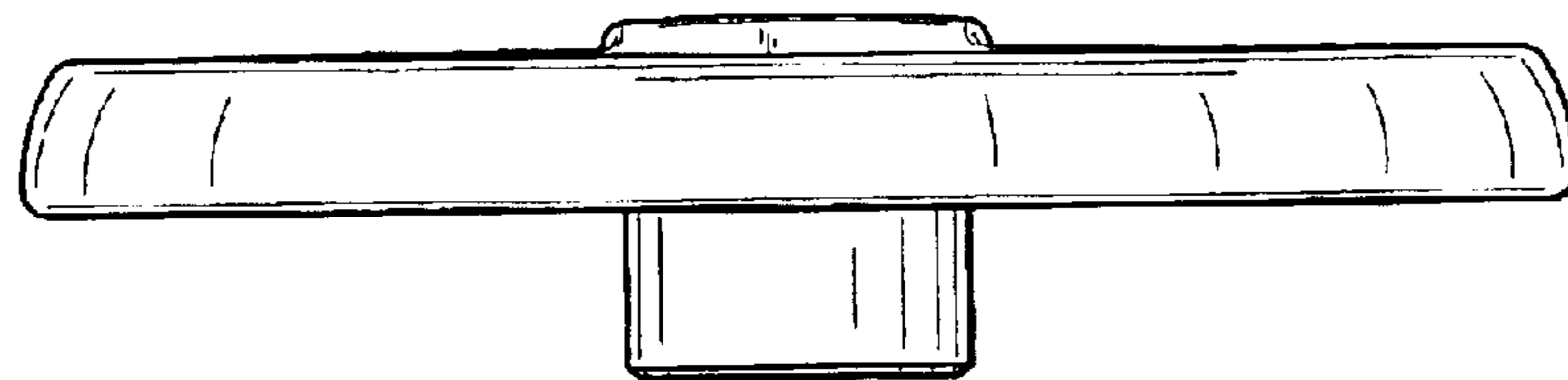


FIG. 17