

US00D492178S1

(12) **United States Design Patent**
Wright et al.

(10) **Patent No.: US D492,178 S**
(45) **Date of Patent: ** Jun. 29, 2004**

(54) **HANDLE FOR POWER TOOL**
(75) Inventors: **Stuart J. Wright**, Timonium, MD
(US); **Daniel N. Lopano**, Towson, MD
(US)

(73) Assignee: **Black & Decker Inc.**, Newark, DE
(US)

(**) Term: **14 Years**

(21) Appl. No.: **29/176,437**

(22) Filed: **Feb. 21, 2003**

(51) **LOC (7) Cl.** **08-06**

(52) **U.S. Cl.** **D8/70**

(58) **Field of Search** D8/8, 14, 21, 22,
D8/25, 29, 30, 46, 47, 67, 68, 69, 70, 80,
83, 87, 94, 97, 107, 300, 303, 310, 311,
312, DIG. 6, DIG. 7, DIG. 8; D3/7, 12;
D7/393, 395; D12/178, 179; D15/142; D21/767,
771, 775, 777; D32/1, 15, 25, 31, 34; 7/167;
30/167, 168, 366; 74/551.9; 81/176.1, 177.1,
177.2, 177.4, 177.8, 436, 489; 242/557;
408/113, 241 S

(56) **References Cited**

U.S. PATENT DOCUMENTS

D200,905 S	*	4/1965	Chapman et al.	D8/DIG. 8
3,995,650 A	*	12/1976	DiVito	74/551.9
4,031,775 A	*	6/1977	Petty	74/551.9
D292,368 S	*	10/1987	Mikiya	D8/67
4,820,090 A	*	4/1989	Chen	81/177.4
D301,967 S	*	7/1989	Sakamoto et al.	D8/67
4,881,294 A	*	11/1989	Riedl	408/241 S
4,895,044 A	*	1/1990	Ekins	74/551.9
D307,703 S	*	5/1990	Tomasula	D8/107

5,690,451 A	*	11/1997	Thurler et al.	408/113
D390,764 S	*	2/1998	Boyd et al.	D8/22
D403,939 S	*	1/1999	Zurwelle	D8/87
D406,742 S	*	3/1999	Schoen et al.	D8/68
D431,766 S	*	10/2000	Zurwelle	D8/67
D447,032 S	*	8/2001	Schoen et al.	D8/67
D448,638 S	*	10/2001	Uhl et al.	D8/67
D460,336 S	*	7/2002	Pretzell	D8/69
D460,676 S	*	7/2002	Lin	D8/83
D461,390 S	*	8/2002	Livingston	D8/303
D463,238 S	*	9/2002	Schoen et al.	D8/70
D467,484 S	*	12/2002	Schoen et al.	D8/70
D470,379 S	*	2/2003	Andriolo	D8/68
6,609,860 B2	*	8/2003	Wanek et al.	408/113
D479,679 S	*	9/2003	Wright	D8/62

* cited by examiner

Primary Examiner—James Gandy
Assistant Examiner—T. Chase Nelson
(74) *Attorney, Agent, or Firm*—Adan Avala

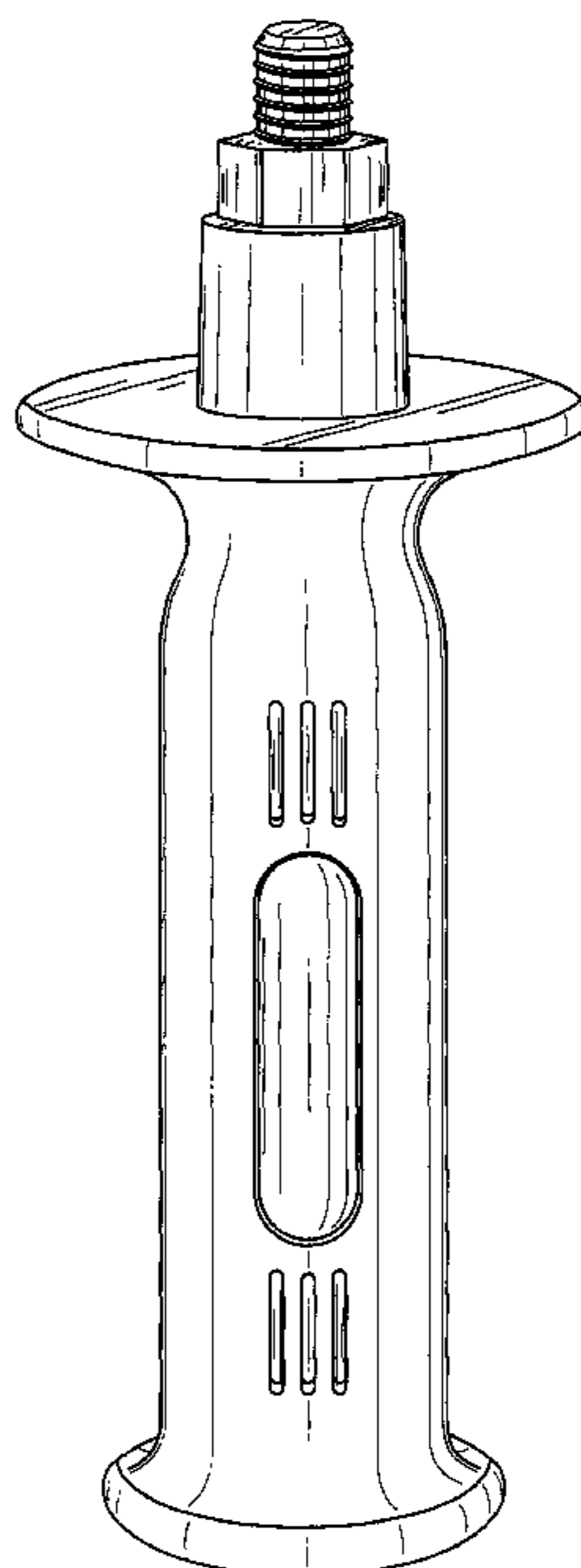
(57) **CLAIM**

The ornamental design for a handle for power tool, as shown and described.

DESCRIPTION

FIG. 1 is a perspective view of a handle for power tool according to the invention.
FIG. 2 is a front elevational view thereof.
FIG. 3 is a rear elevational view thereof.
FIG. 4 is a left side elevational view thereof.
FIG. 5 is a right side elevational view thereof.
FIG. 6 is a bottom plan view thereof; and,
FIG. 7 is a top plan view thereof.
In the above drawings, any portions shown in broken lines do not form a part of the invention.

1 Claim, 6 Drawing Sheets



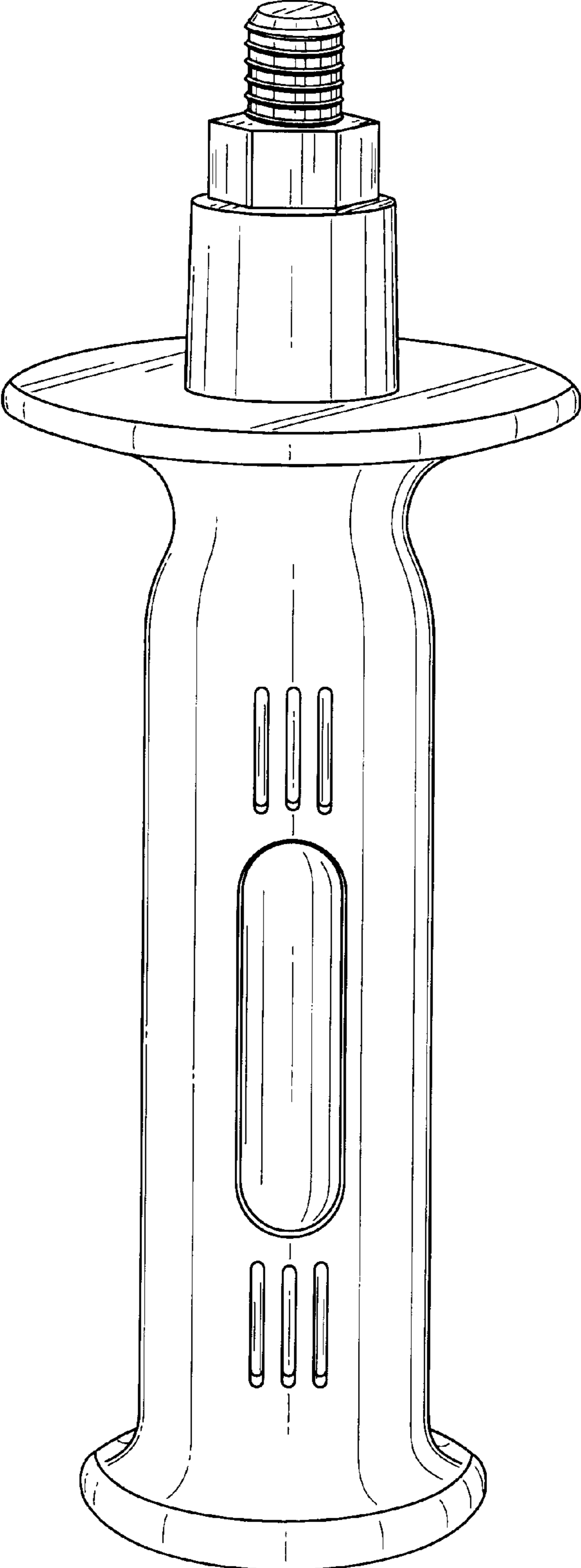


FIG. 1

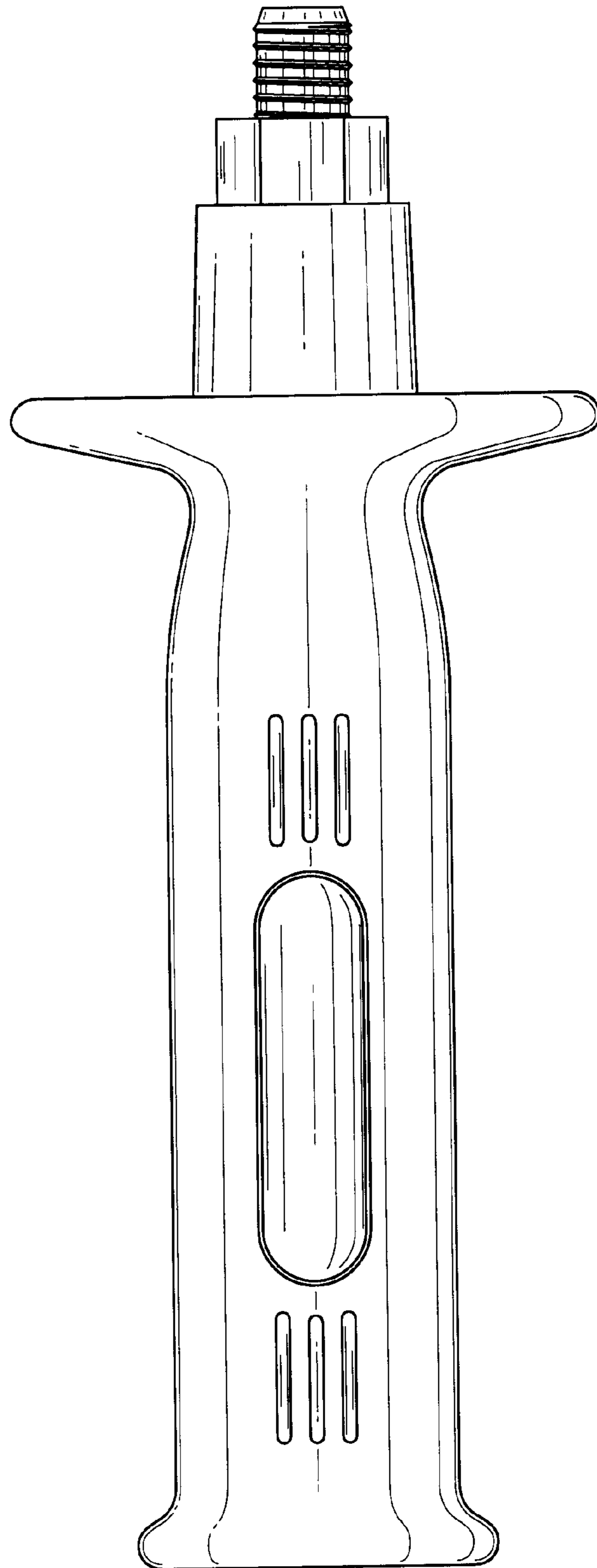


FIG. 2

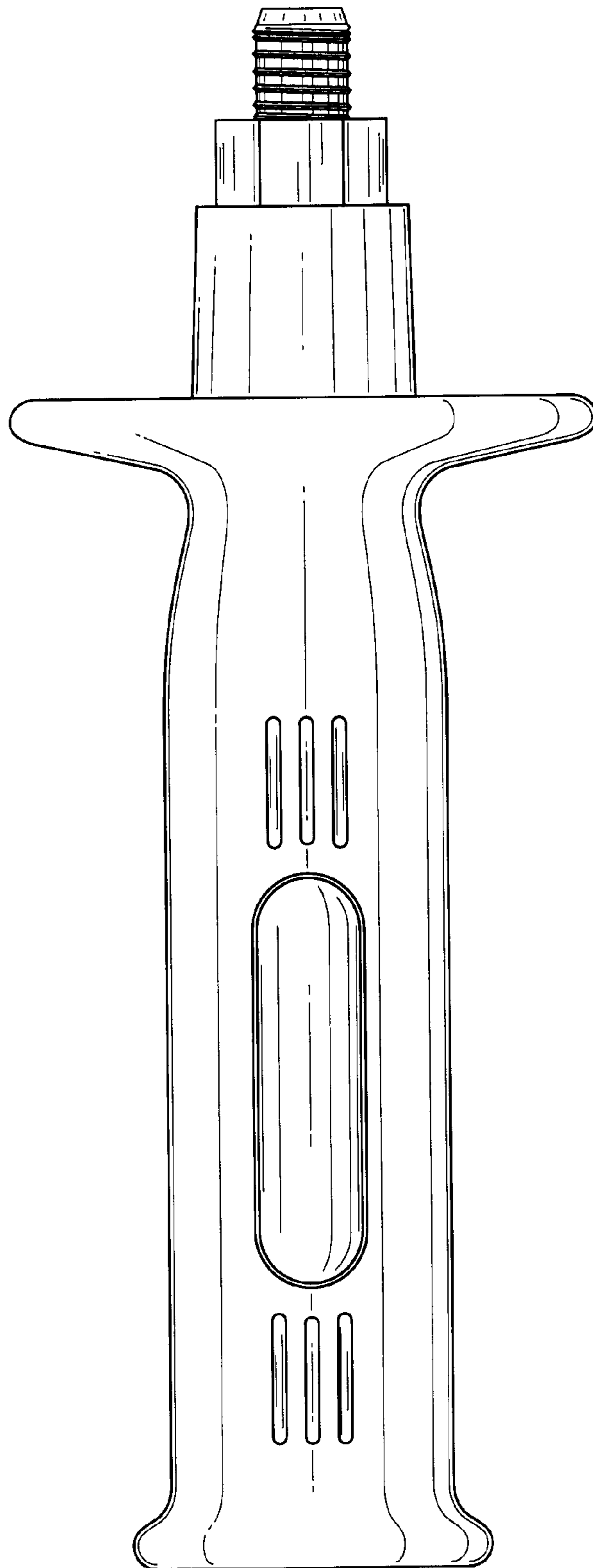


FIG. 3

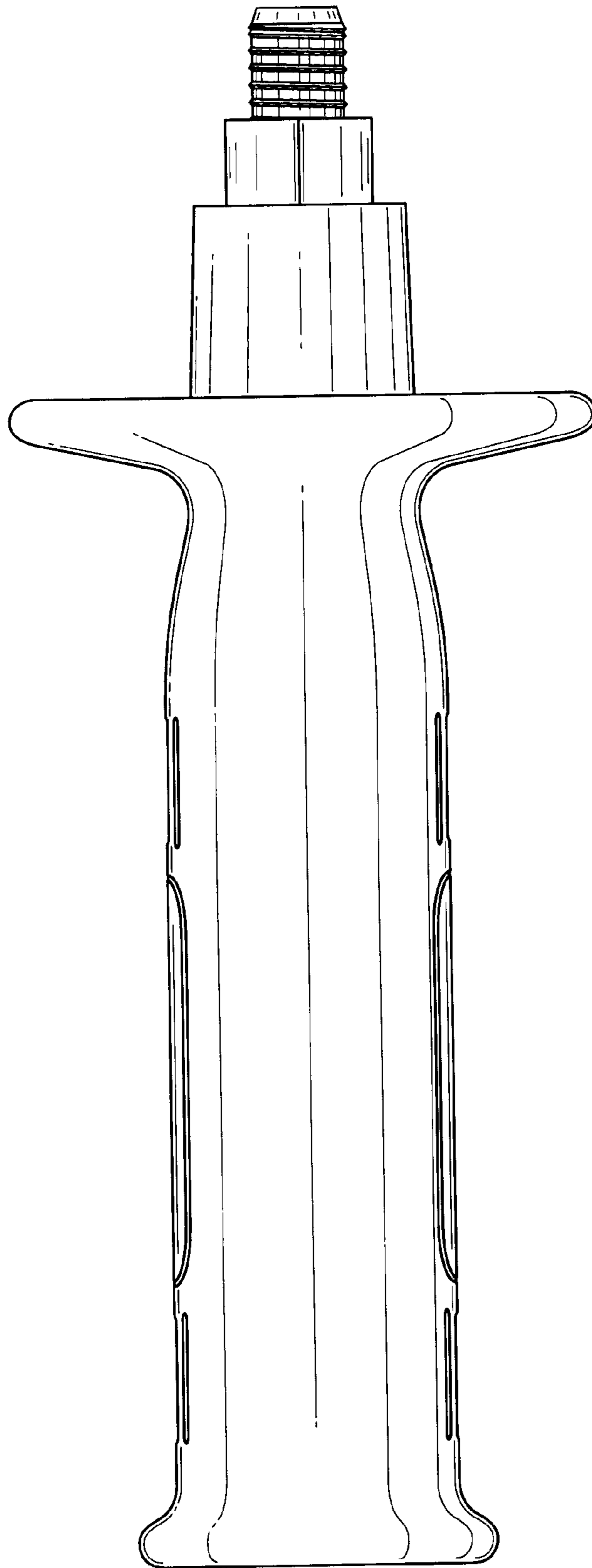


FIG. 4

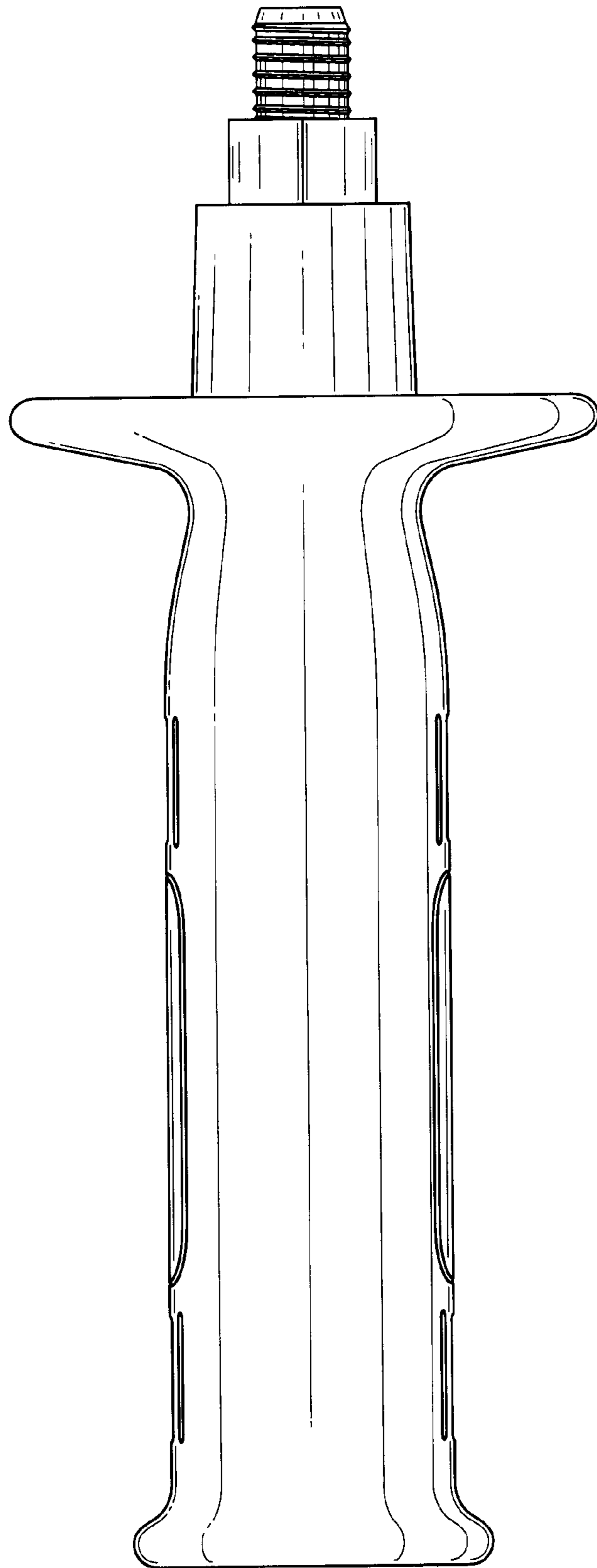


FIG. 5

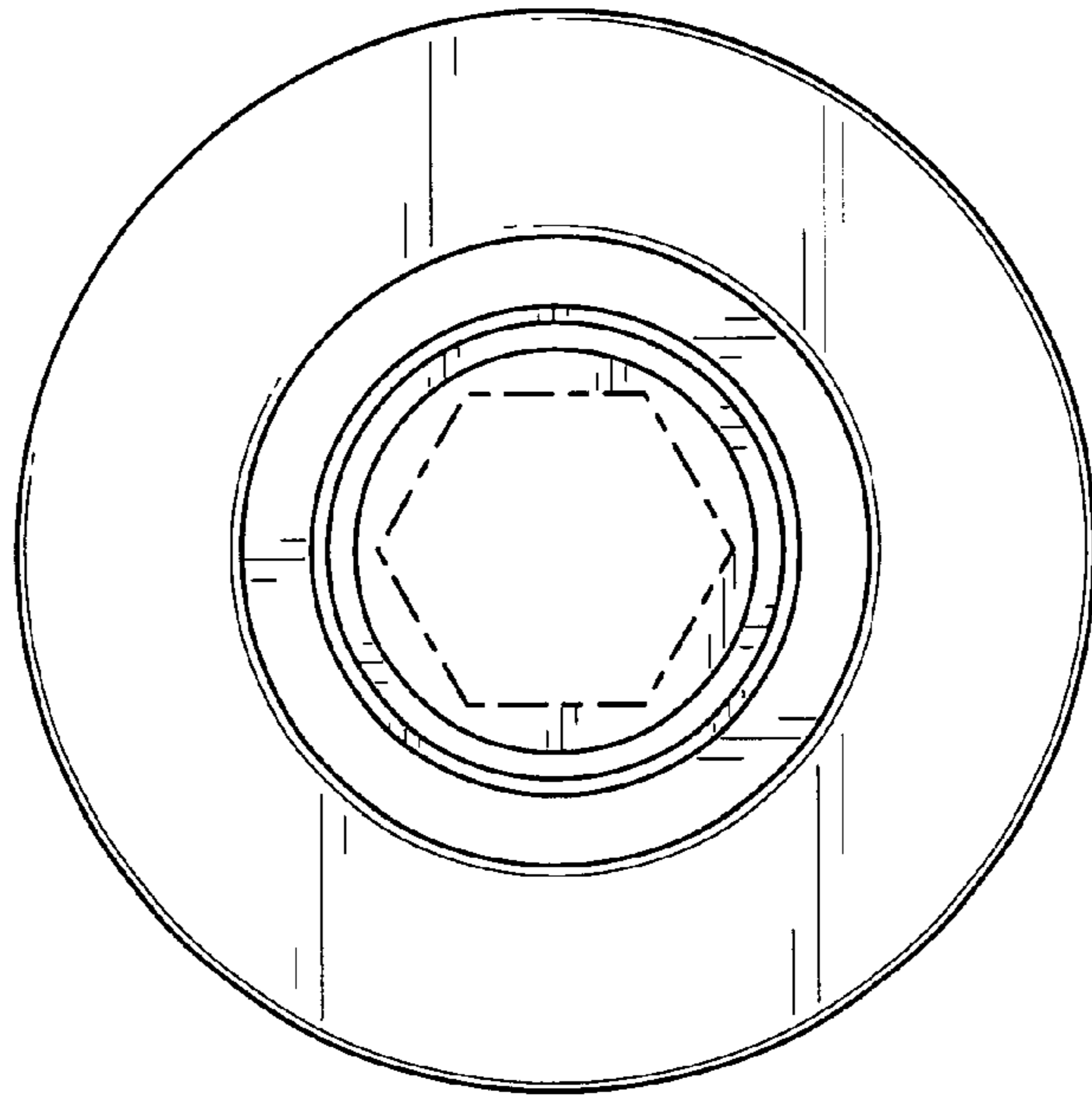


FIG. 6

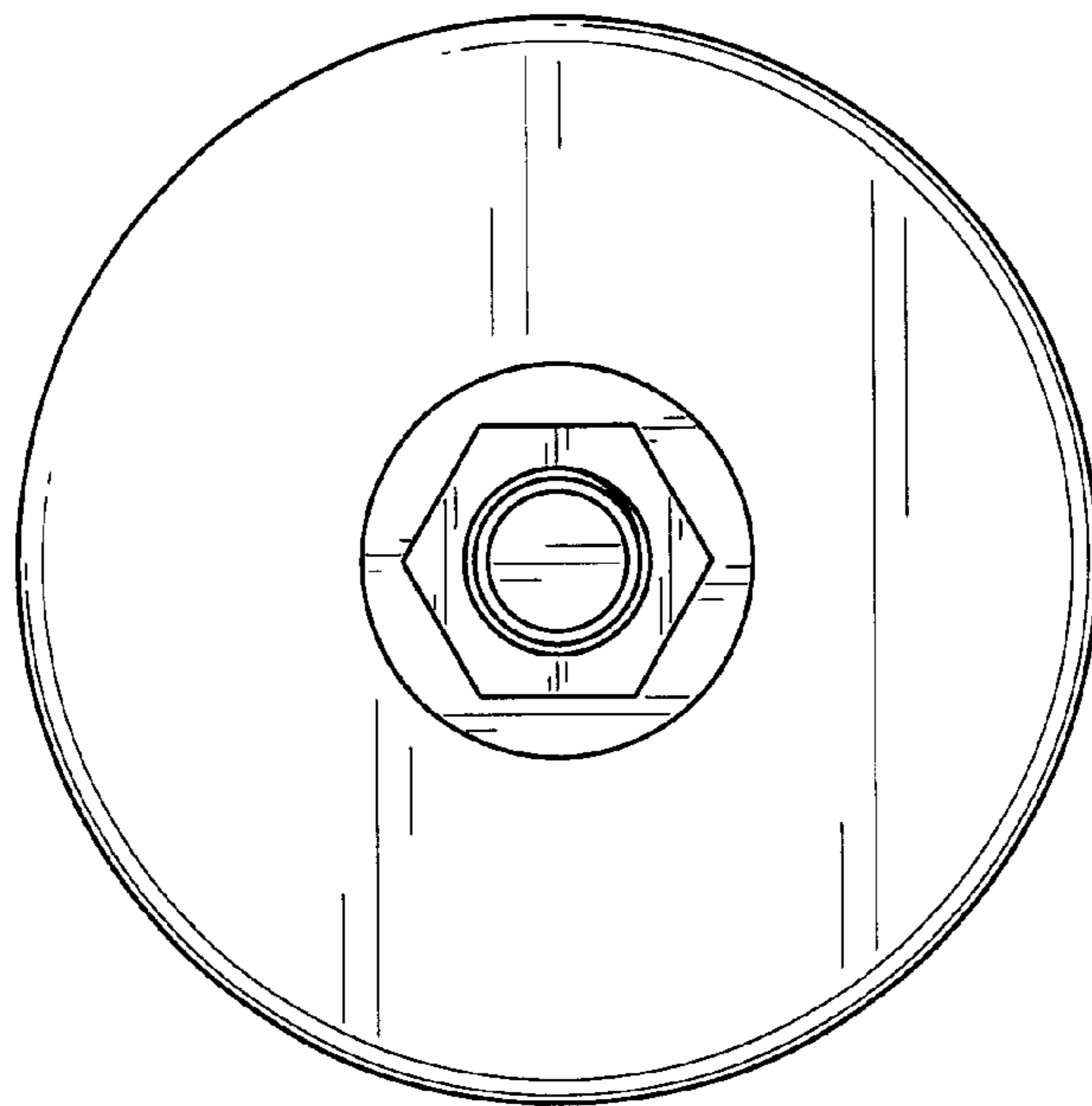


FIG. 7