

US00D492177S1

(12) **United States Design Patent**
Wright et al.

(10) **Patent No.:** **US D492,177 S**
(45) **Date of Patent:** **** Jun. 29, 2004**

(54) **HANDLE FOR POWER TOOL**

(75) Inventors: **Stuart J. Wright**, Timonium, MD
(US); **Daniel N. Lopano**, Towson, MD
(US)

(73) Assignee: **Black & Decker Inc.**, Newark, DE
(US)

(**) Term: **14 Years**

(21) Appl. No.: **29/176,433**

(22) Filed: **Feb. 21, 2003**

(51) **LOC (7) Cl.** **08-06**

(52) **U.S. Cl.** **D8/70**

(58) **Field of Search** D8/8, 14, 21, 22,
D8/25, 29, 30, 46, 47, 67, 68, 69, 70, 80,
83, 87, 94, 97, 107, 300, 303, 310, 311,
312, DIG. 6, DIG. 7, DIG. 8; D3/7, 12;
D7/393, 395; D12/178, 179; D15/142; D21/767,
771, 775, 777; D32/1, 15, 25, 31, 34; 7/167;
30/167, 168, 366; 74/551.9; 82/176.1, 177.1,
177.2, 177.4, 177.8, 436, 489; 242/557;
408/113, 241 S

(56) **References Cited**

U.S. PATENT DOCUMENTS

| | | | | | |
|-------------|---|---------|-----------------|-------|-----------|
| D186,676 S | * | 11/1959 | Katzfey | | D8/8 |
| 4,031,775 A | * | 6/1977 | Petty | | 74/551.9 |
| 4,137,793 A | * | 2/1979 | Sowell | | 74/551.9 |
| D292,368 S | * | 10/1987 | Mikiya | | D8/67 |
| 4,820,090 A | * | 4/1989 | Chen | | 81/177.4 |
| D301,967 S | * | 7/1989 | Sakamoto et al. | | D8/69 |
| 4,881,294 A | * | 11/1989 | Riedl | | 408/241 S |
| D307,703 S | * | 5/1990 | Tomasula | | D8/107 |
| 5,690,451 A | * | 11/1997 | Thurler et al. | | 408/113 |

| | | | | | |
|--------------|---|---------|----------------|-------|----------|
| D390,764 S | * | 2/1998 | Boyd et al. | | D8/22 |
| D403,939 S | * | 1/1999 | Zurwelle | | D8/87 |
| D406,742 S | * | 3/1999 | Schoen et al. | | D8/68 |
| D431,766 S | * | 10/2000 | Zurwelle | | D8/67 |
| 6,161,256 A | * | 12/2000 | Quiring et al. | | D8/68 |
| 6,186,036 B1 | * | 2/2001 | Huang | | 81/177.4 |
| D447,032 S | * | 8/2001 | Schoen et al. | | D8/67 |
| D460,336 S | * | 7/2002 | Pretzell | | D8/69 |
| D460,676 S | * | 7/2002 | Lin | | D8/83 |
| D461,390 S | * | 8/2002 | Livingston | | D8/303 |
| D463,238 S | * | 9/2002 | Schoen et al. | | D8/70 |
| D467,484 S | * | 12/2002 | Schoen et al. | | D8/70 |
| D470,379 S | * | 2/2003 | Andriolo | | D8/68 |
| 6,609,860 B2 | * | 8/2003 | Wanek et al. | | 408/113 |
| D479,679 S | * | 9/2003 | Wright | | D8/62 |

* cited by examiner

Primary Examiner—James Gandy
Assistant Examiner—T. Chase Nelson
(74) *Attorney, Agent, or Firm*—Adan Ayala

(57) **CLAIM**

The ornamental design for a handle for power tool, as shown and described.

DESCRIPTION

FIG. 1 is a perspective view of a handle for a power tool according to the invention.

FIG. 2 is a front elevational view thereof.

FIG. 3 is a rear elevational view thereof.

FIG. 4 is a left side elevational view thereof.

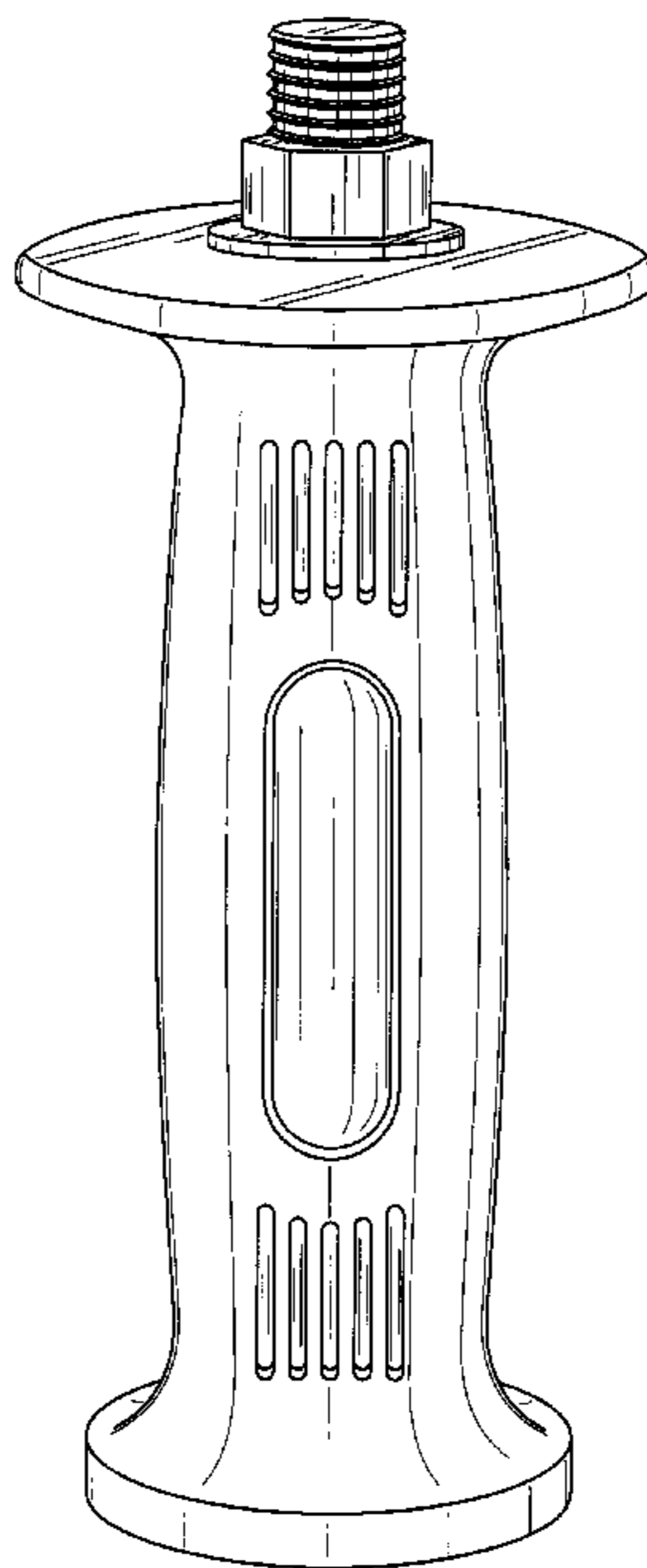
FIG. 5 is a right side elevational view thereof.

FIG. 6 is a bottom plan view thereof; and,

FIG. 7 is a top plan view thereof.

In the above drawings, any portions shown in broken lines do not form a part of the invention.

1 Claim, 6 Drawing Sheets



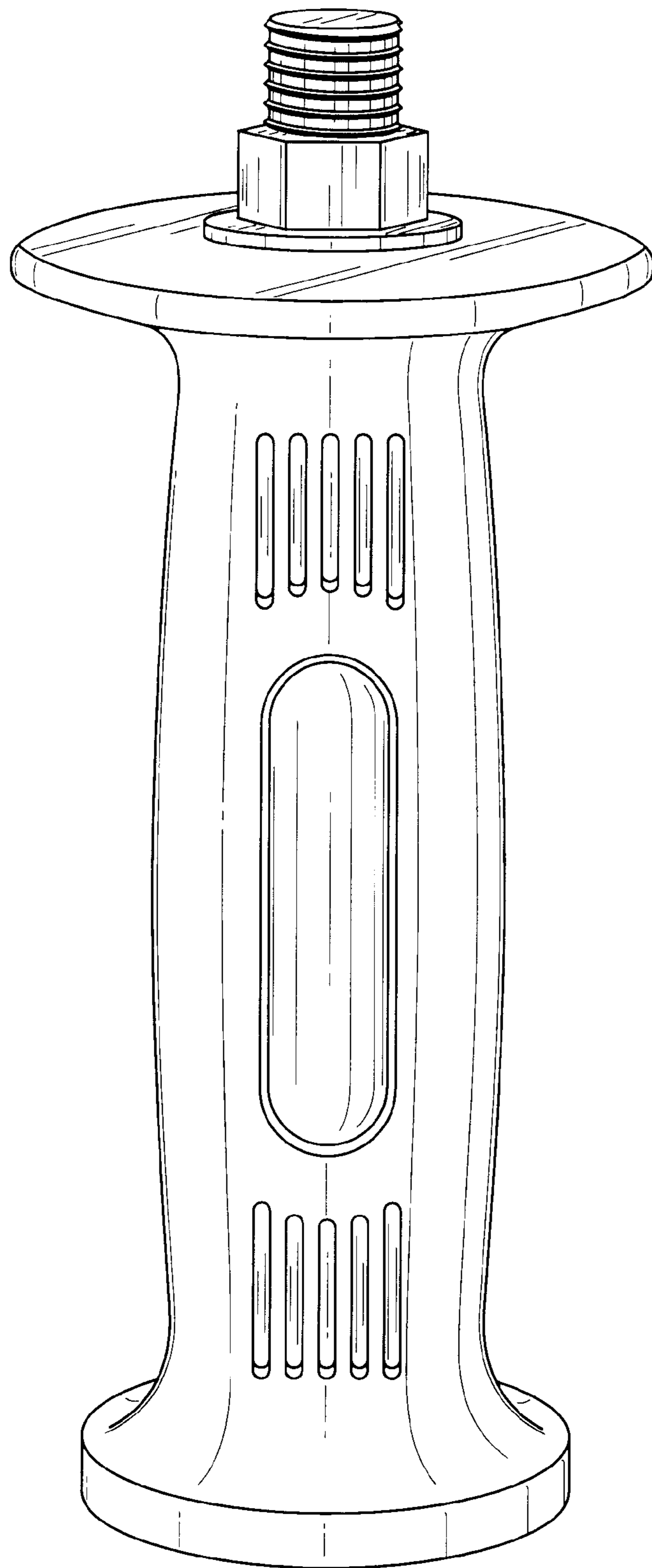


FIG. 1

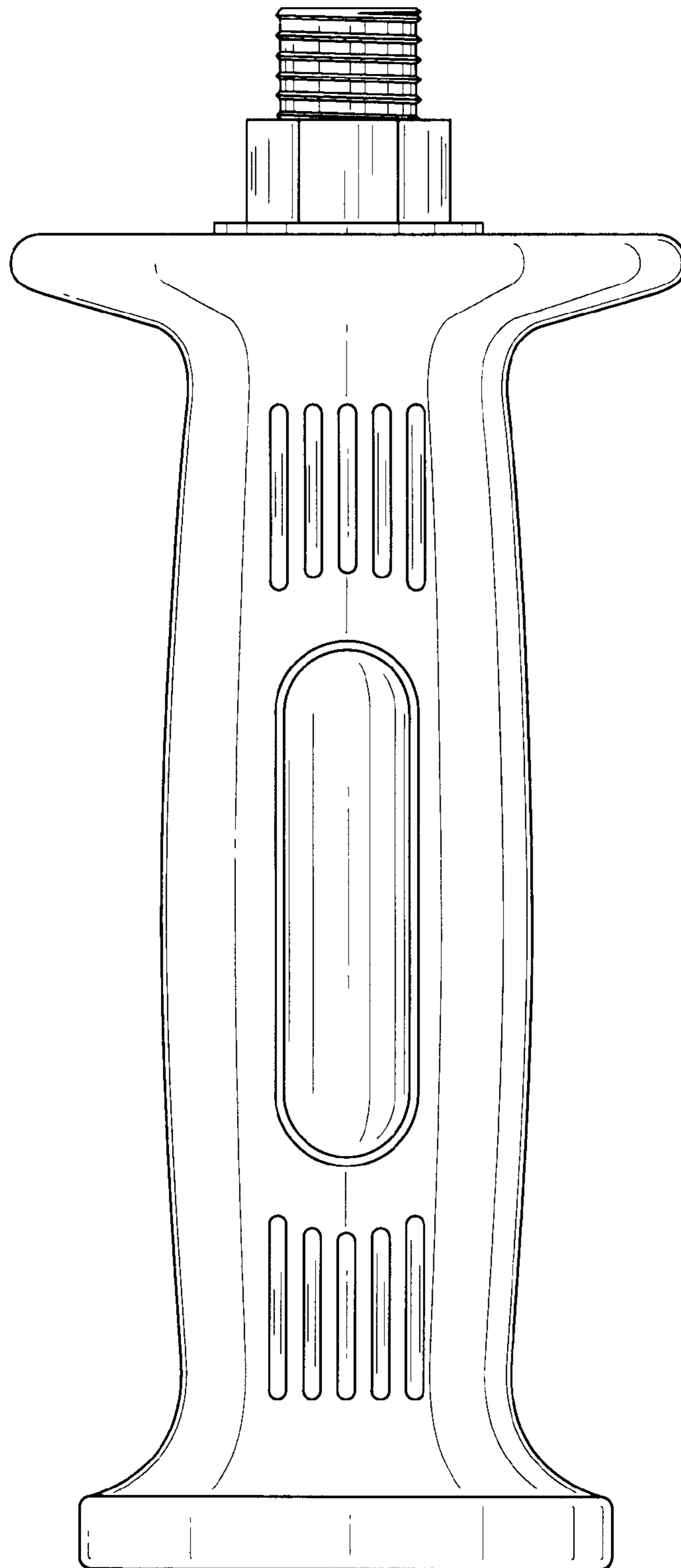


FIG. 2

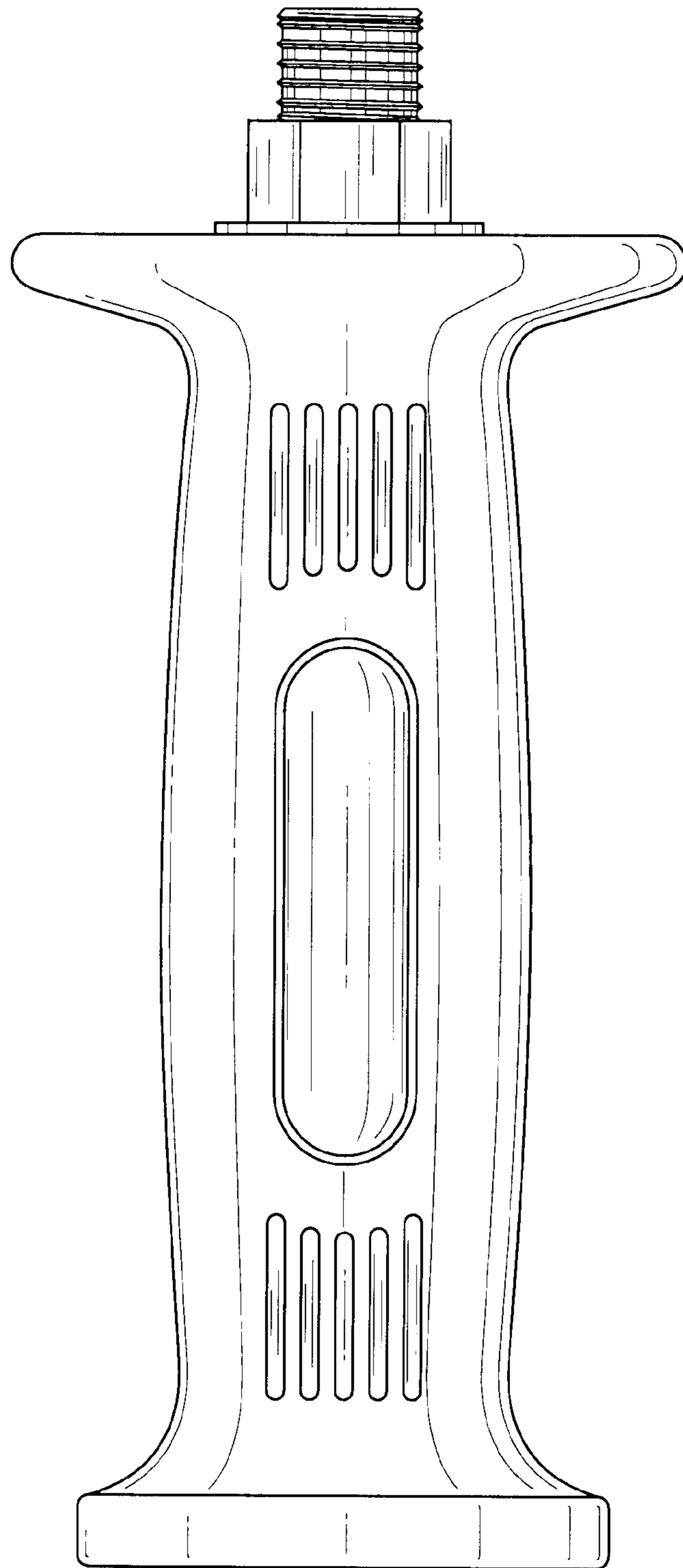


FIG. 3

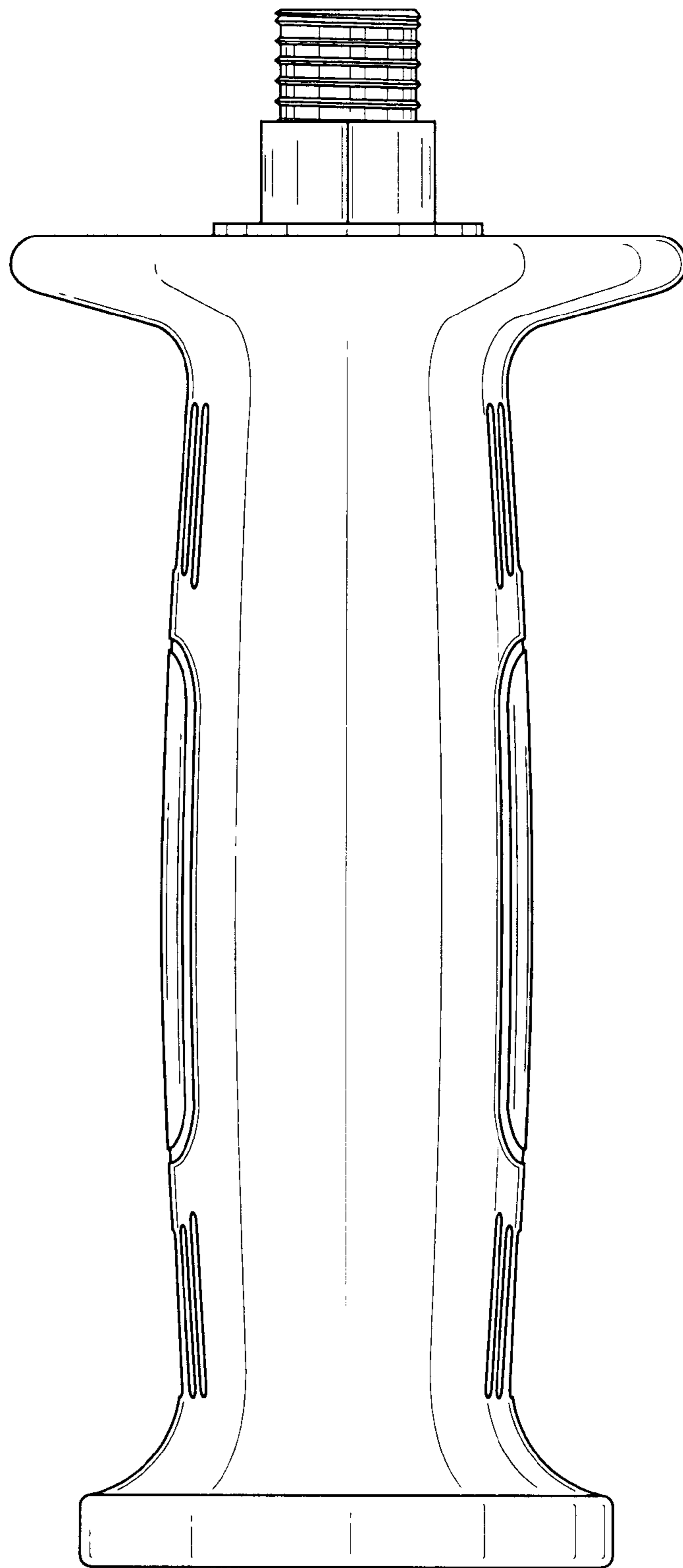


FIG. 4

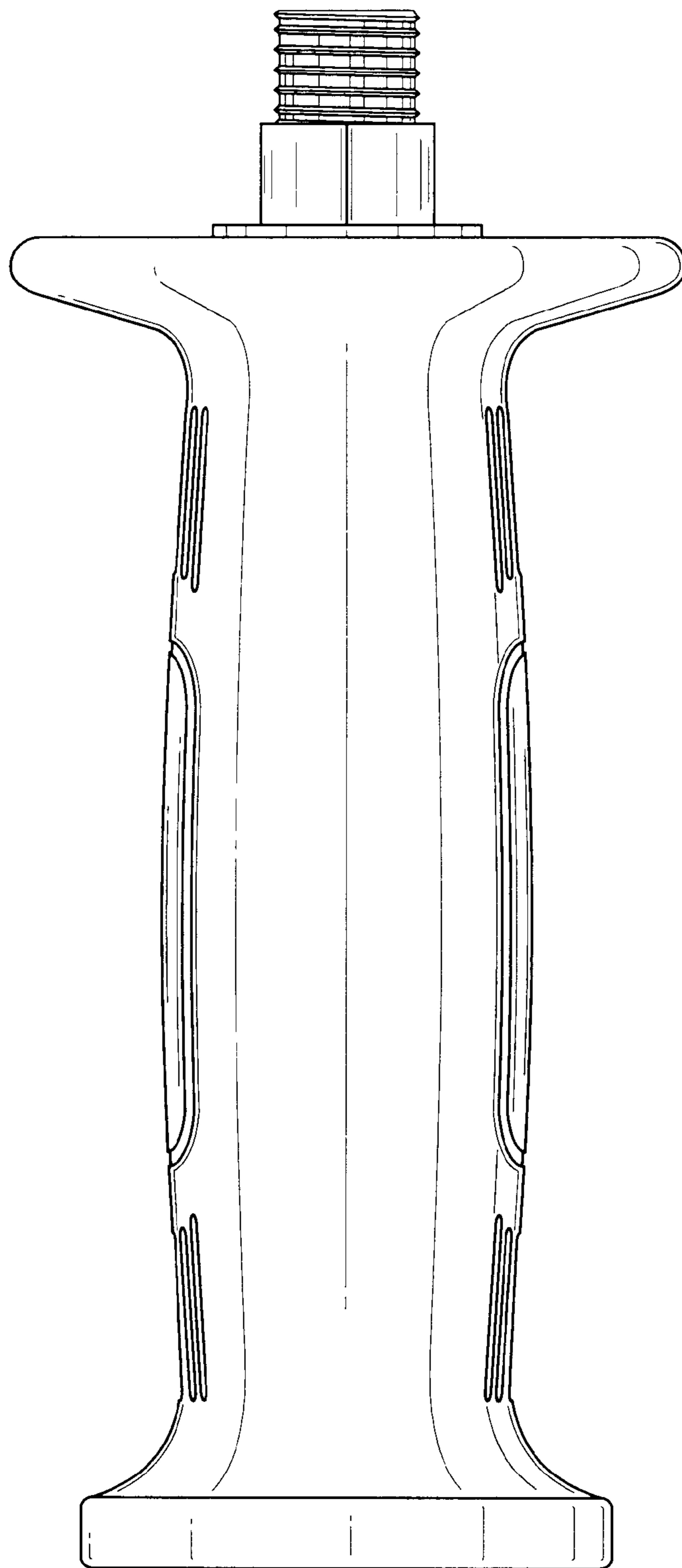


FIG. 5

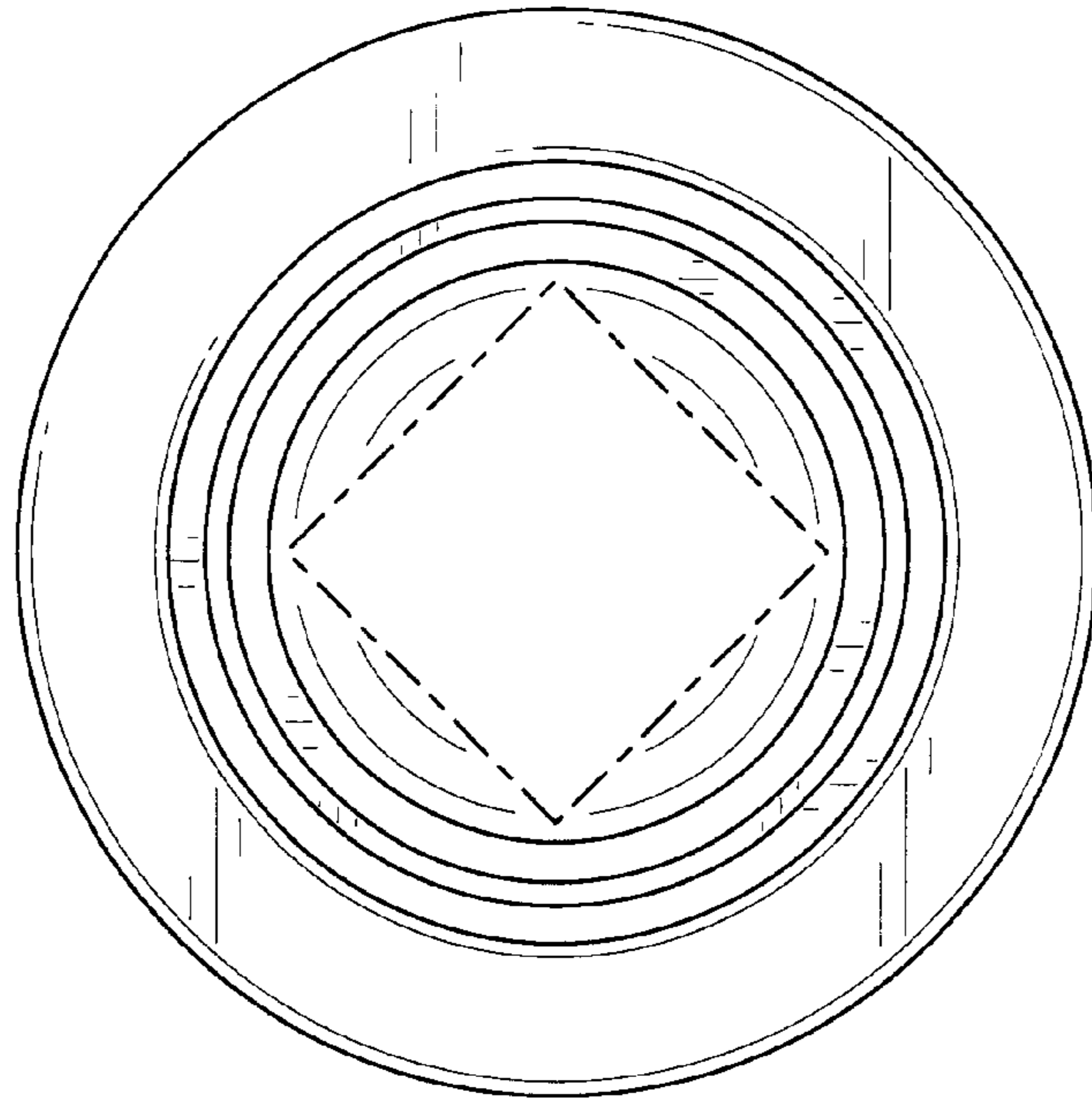


FIG. 6

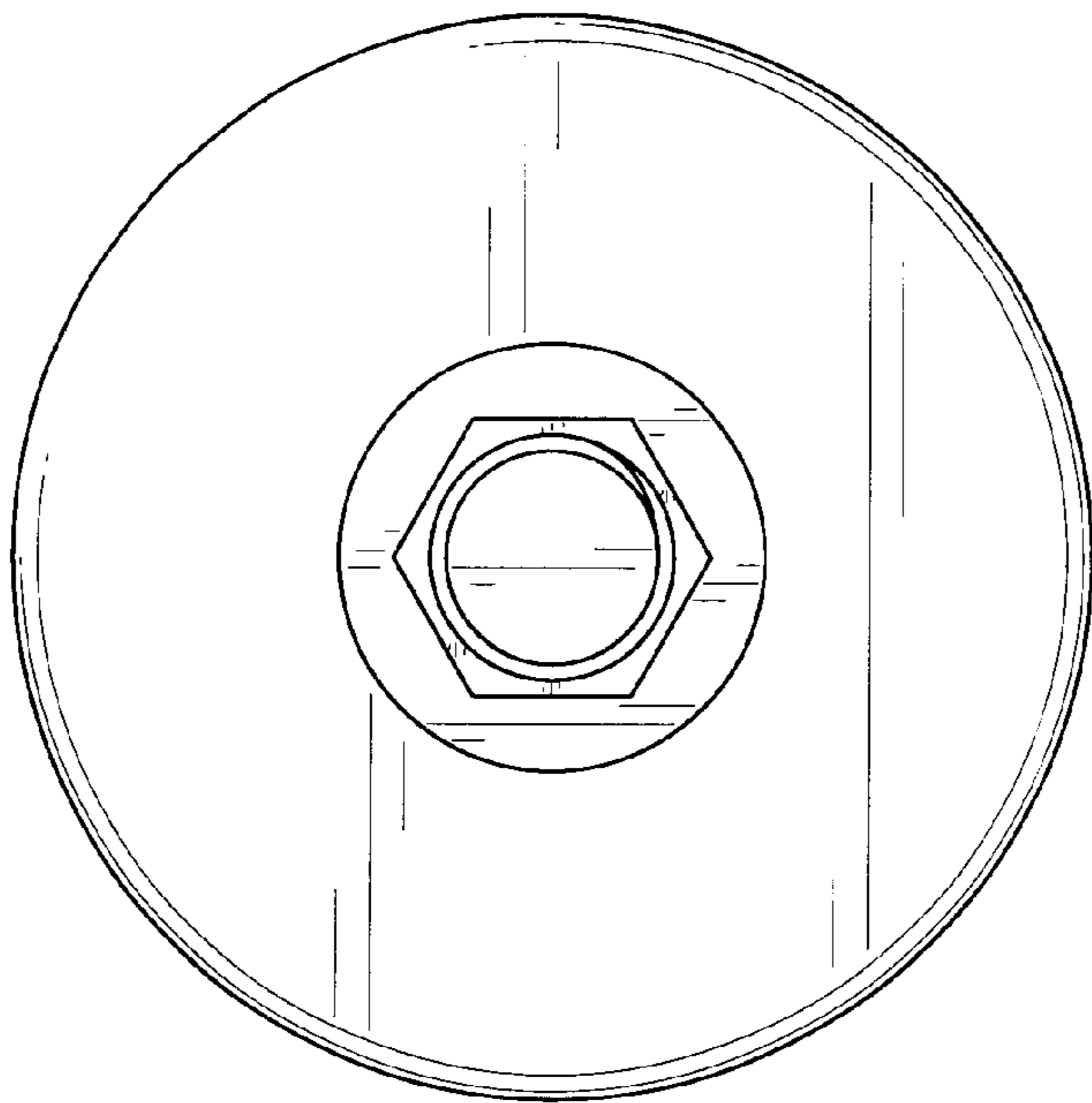


FIG. 7