



US00D492176S1

(12) **United States Design Patent**
Chen

(10) **Patent No.:** **US D492,176 S**
(45) **Date of Patent:** **** Jun. 29, 2004**

(54) **PNEUMATIC TOOL**

(76) **Inventor:** **Lung-Hui Chen**, No. 296-1, Jungshan Rd., Juibei City, Hsinchu (TW)

(**) **Term:** **14 Years**

(21) **Appl. No.:** **29/192,010**

(22) **Filed:** **Oct. 20, 2003**

(51) **LOC (7) Cl.** **08-05**

(52) **U.S. Cl.** **D8/61**

(58) **Field of Search** D8/61, 62, 63,
D8/67, 68, 69; 30/500; 81/57.11, 57.13,
464, 465, 466, 467, 469, 470; 173/13, 14,
47, 48, 168, 169, 170, 171; 310/50; 408/113,
124

(56) **References Cited**

U.S. PATENT DOCUMENTS

4,592,256 A * 6/1986 Bosque 81/57.29
D327,617 S * 7/1992 Fisher D8/61
D357,848 S * 5/1995 Izumisawa D8/62
D387,648 S * 12/1997 Liao D8/61

5,944,119 A * 8/1999 Hsieh 173/170
D447,029 S * 8/2001 Sun et al. D8/61
D468,173 S * 1/2003 Morgan D8/61

* cited by examiner

Primary Examiner—James Gandy

Assistant Examiner—Elizabeth Albert

(74) *Attorney, Agent, or Firm*—Birch, Stewart, Kolasch & Birch, LLP

(57) **CLAIM**

The ornamental design for “pneumatic tool,” as shown and described.

DESCRIPTION

FIG. 1 is a perspective view of “pneumatic tool” showing our new design thereof;

FIG. 2 is a right side elevational view thereof;

FIG. 3 is a top plan view thereof;

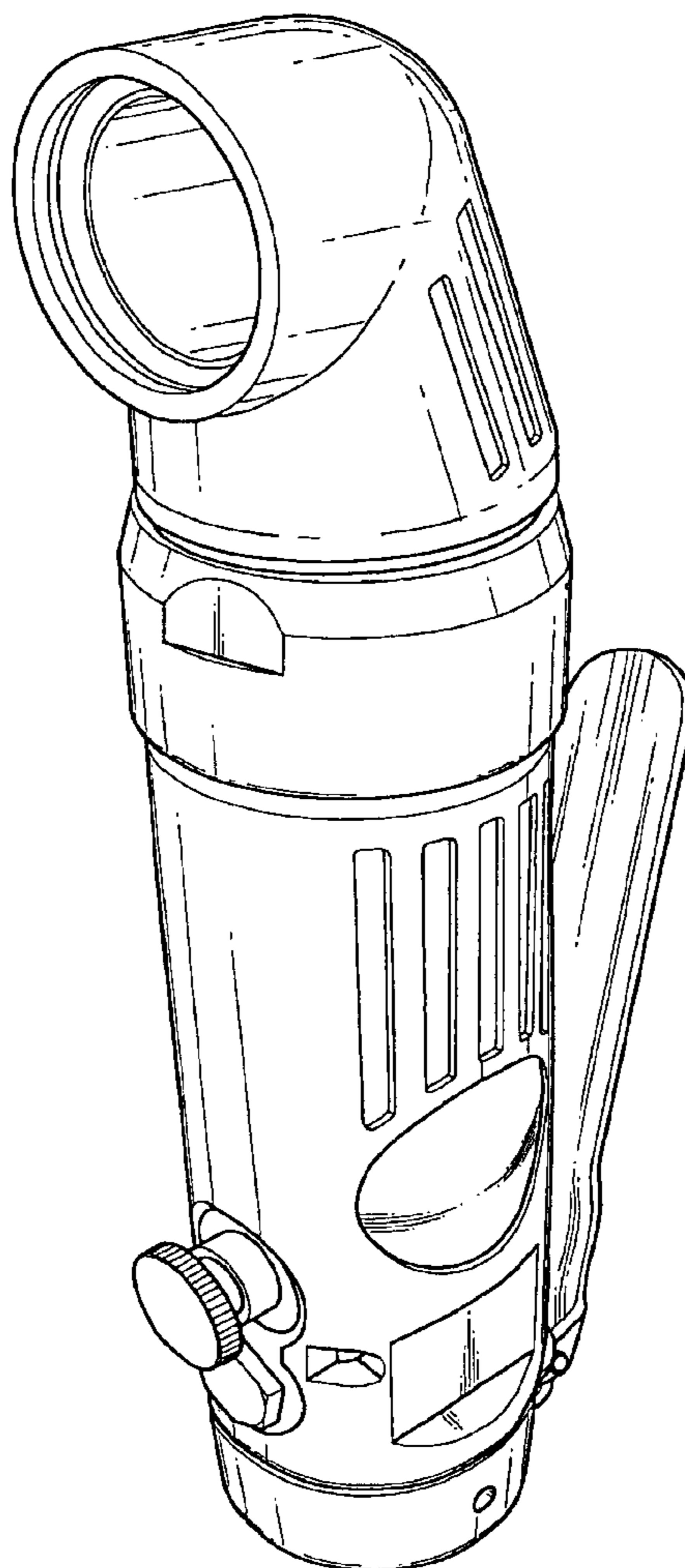
FIG. 4 is a front side elevational view thereof;

FIG. 5 is a bottom plan view thereof;

FIG. 6 is a left side elevational view thereof; and,

FIG. 7 is a rear side elevational view thereof.

1 Claim, 5 Drawing Sheets



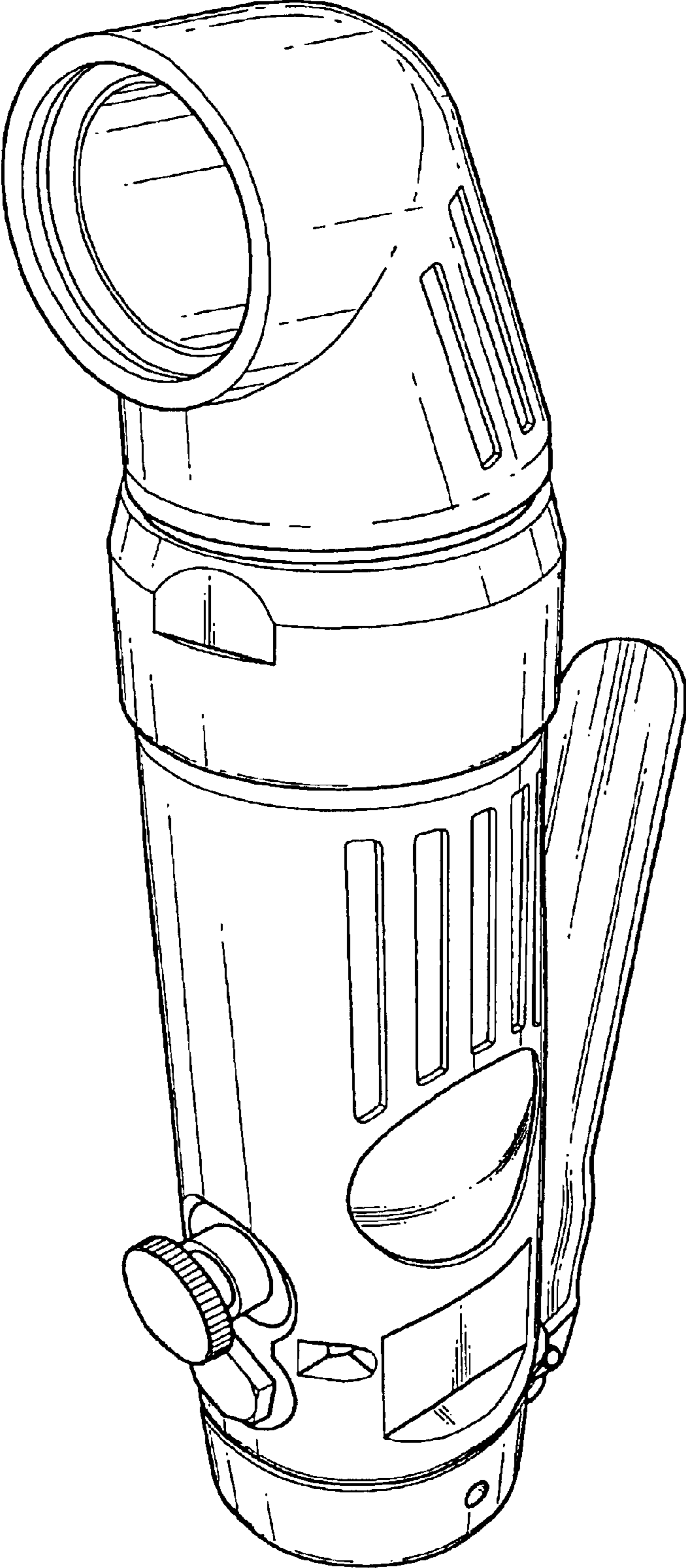


Fig. 1

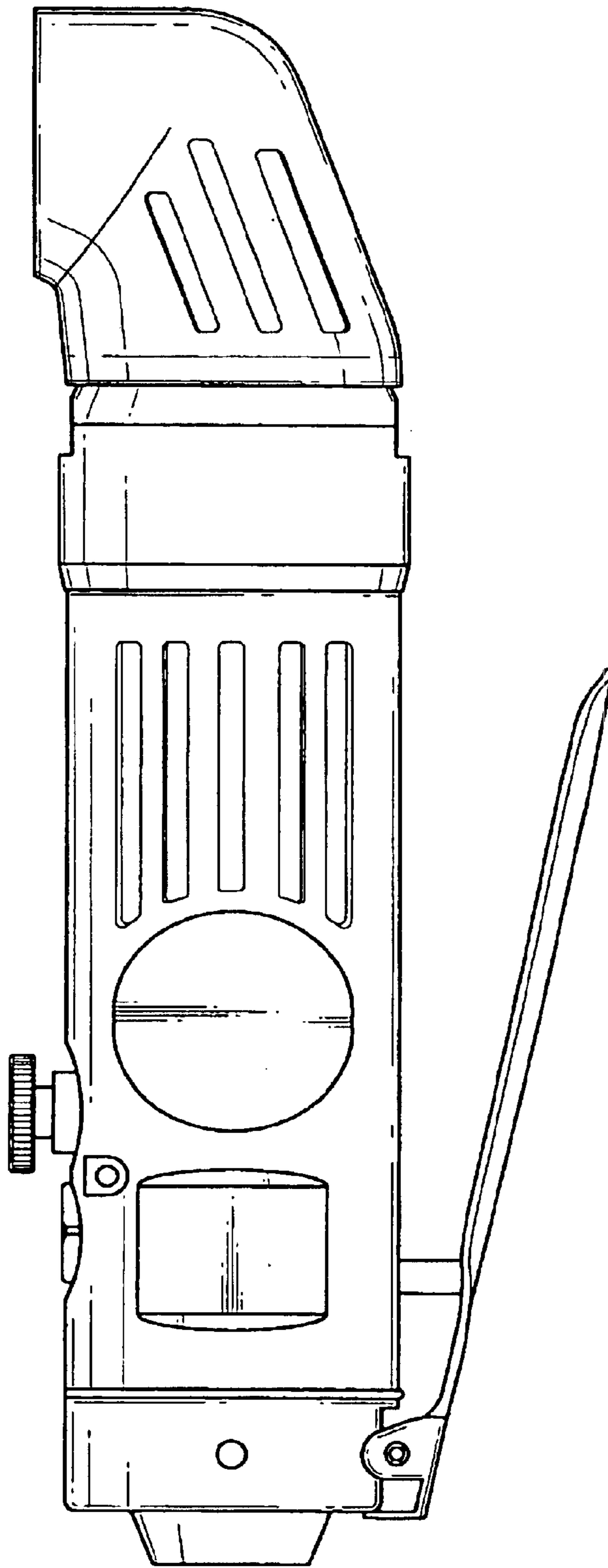


Fig. 2

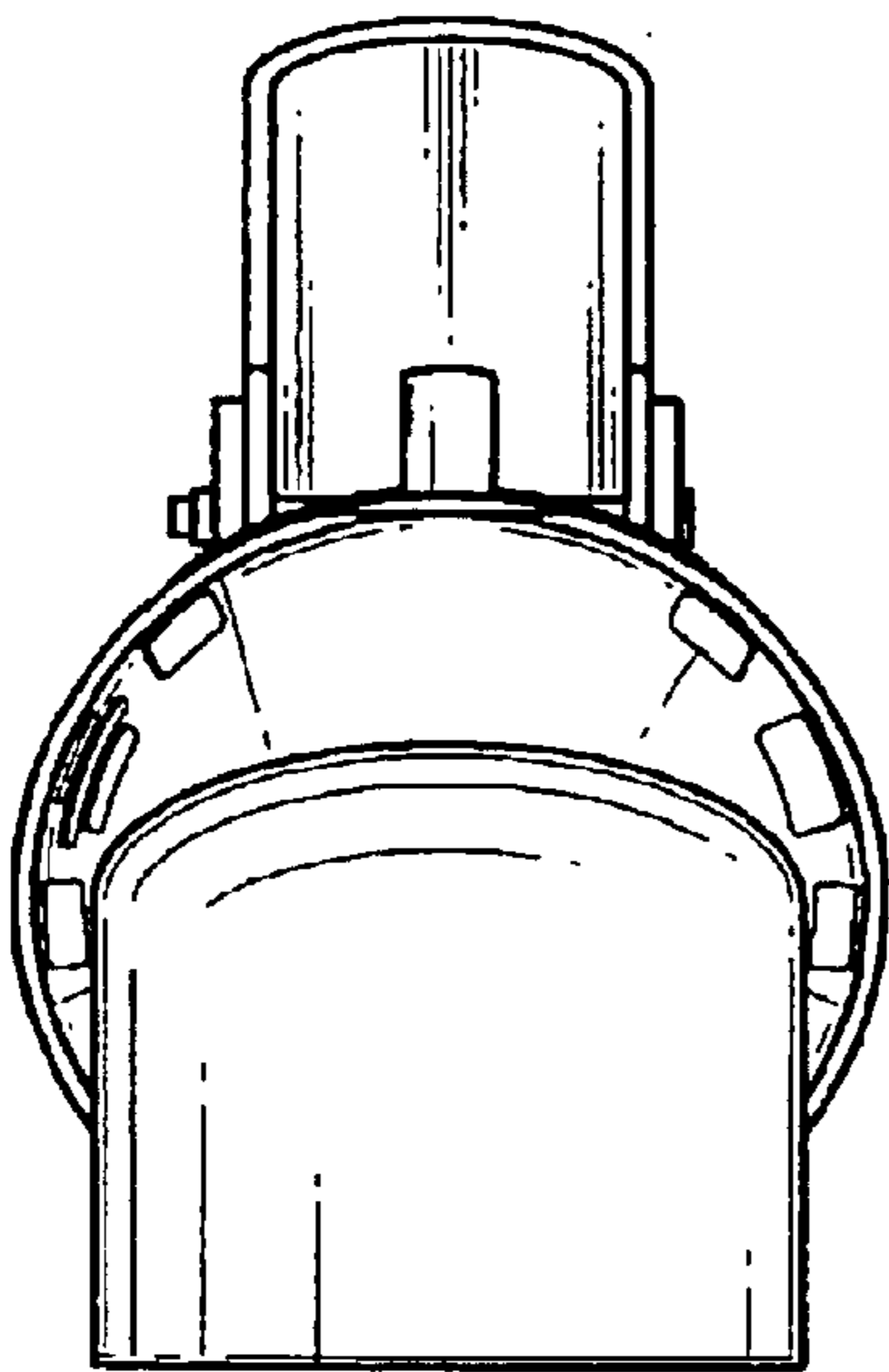


Fig. 3

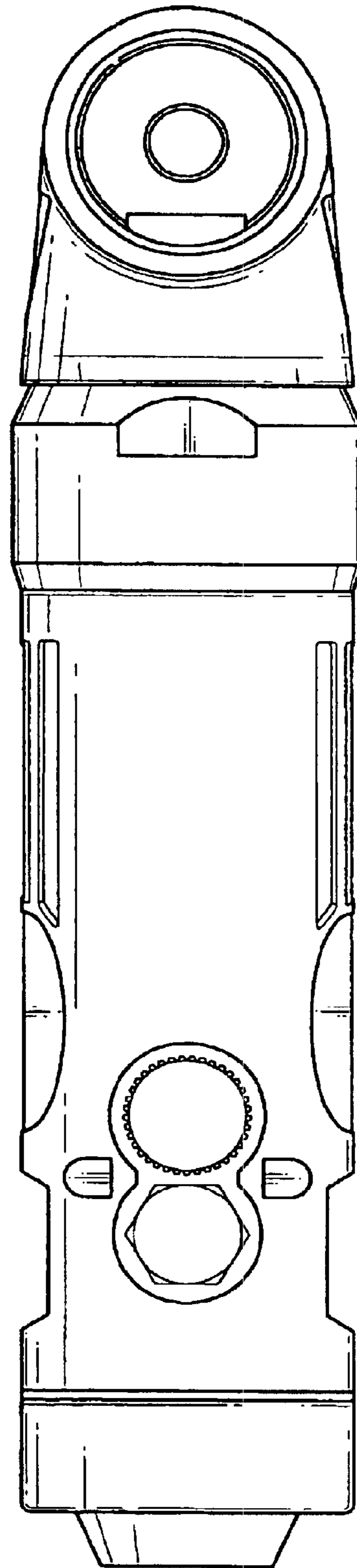


Fig. 4

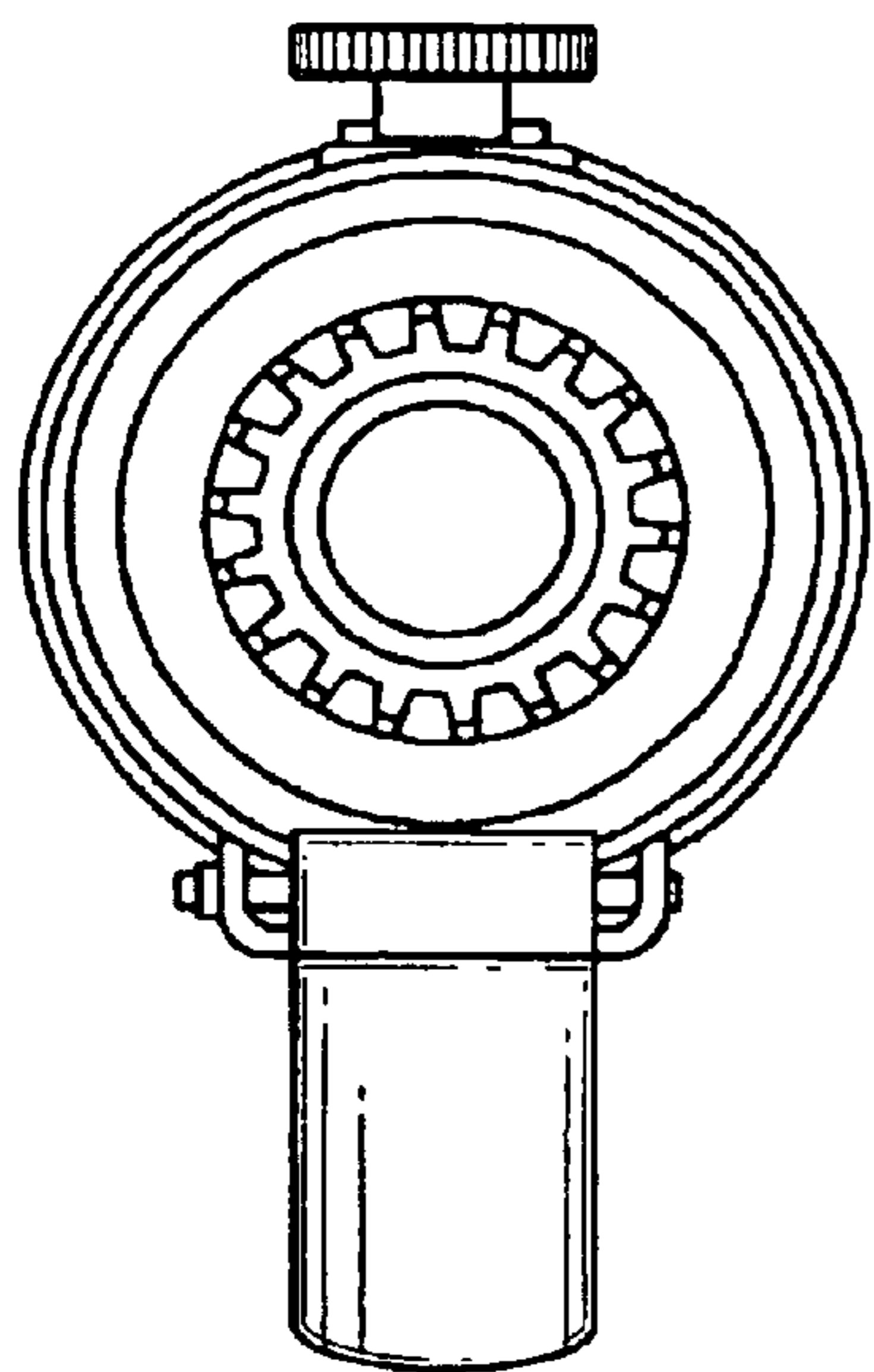


Fig. 5

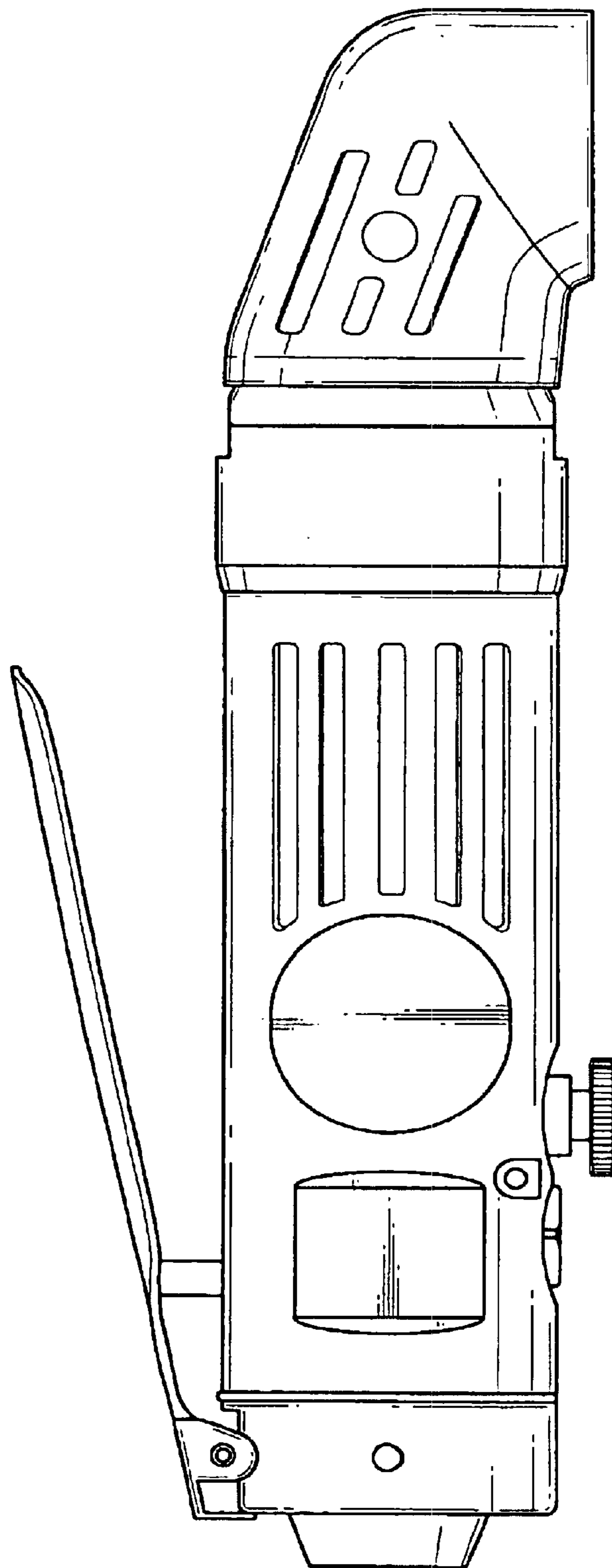


Fig. 6

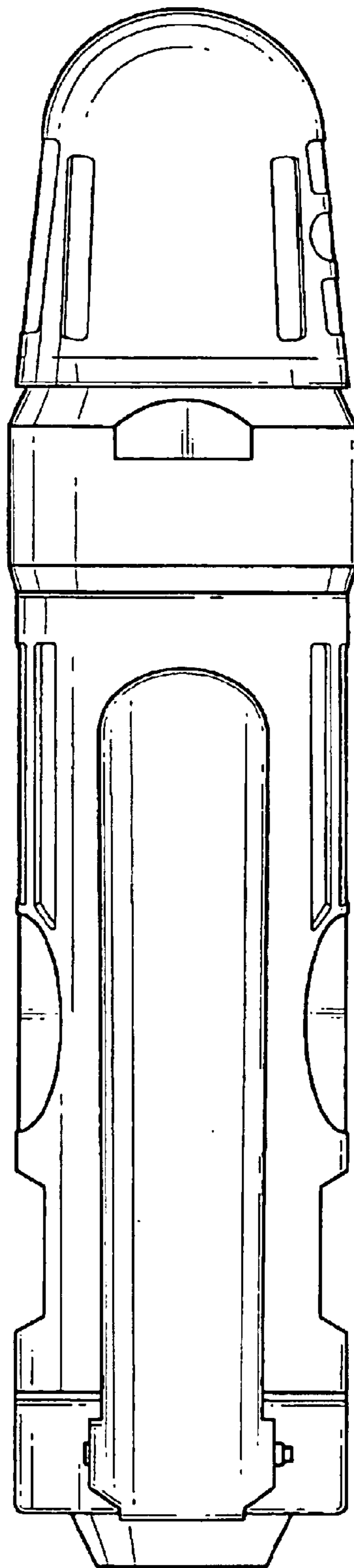


Fig. 7