

US00D492175S1

(12) **United States Design Patent**
Itano

(10) **Patent No.:** **US D492,175 S**
(45) **Date of Patent:** **** Jun. 29, 2004**

(54) **OPTICAL FIBER CLEAVER FERRULE TAB**

(75) Inventor: **Michael M. Itano**, Seattle, WA (US)

(73) Assignee: **Leviton Manufacturing Co., Inc.**, Little Neck, NY (US)

(**) Term: **14 Years**

(21) Appl. No.: **29/187,435**

(22) Filed: **Aug. 1, 2003**

(51) **LOC (7) Cl.** **08-05**

(52) **U.S. Cl.** **D8/51**

(58) **Field of Search** D8/349, 354, 355,
D8/373, 380, 51; D13/152, 153, 154, 156;
225/96, 96.5; 385/77, 78, 84, 134, 135,
137, 147

(56) **References Cited**

U.S. PATENT DOCUMENTS

- 5,463,709 A * 10/1995 Terao et al. 385/85
- 6,007,370 A * 12/1999 Langridge 439/455
- 6,264,374 B1 * 7/2001 Selfridge et al. 385/78
- 6,628,879 B2 * 9/2003 Robinson et al. 385/134
- D480,689 S * 10/2003 Ishibashi et al. D13/154

6,634,079 B1 * 10/2003 Kazama 29/564.4

* cited by examiner

Primary Examiner—James Gandy

Assistant Examiner—Elizabeth Albert

(74) *Attorney, Agent, or Firm*—George C. Rondeau, Jr.;
Davis Wright Tremaine LLP

(57) **CLAIM**

The ornamental design for an optical fiber cleaver ferrule tab, as shown and described.

DESCRIPTION

FIG. 1 is a top perspective view of an optical fiber cleaver ferrule tab showing my/our new design in position on an optical fiber cleaver body.

FIG. 2 is a top perspective view of the optical fiber cleaver ferrule tab removed from the ferrule body.

FIG. 3 is a top plan view thereof.

FIG. 4 is a bottom plan view thereof.

FIG. 5 is a left side elevational view thereof.

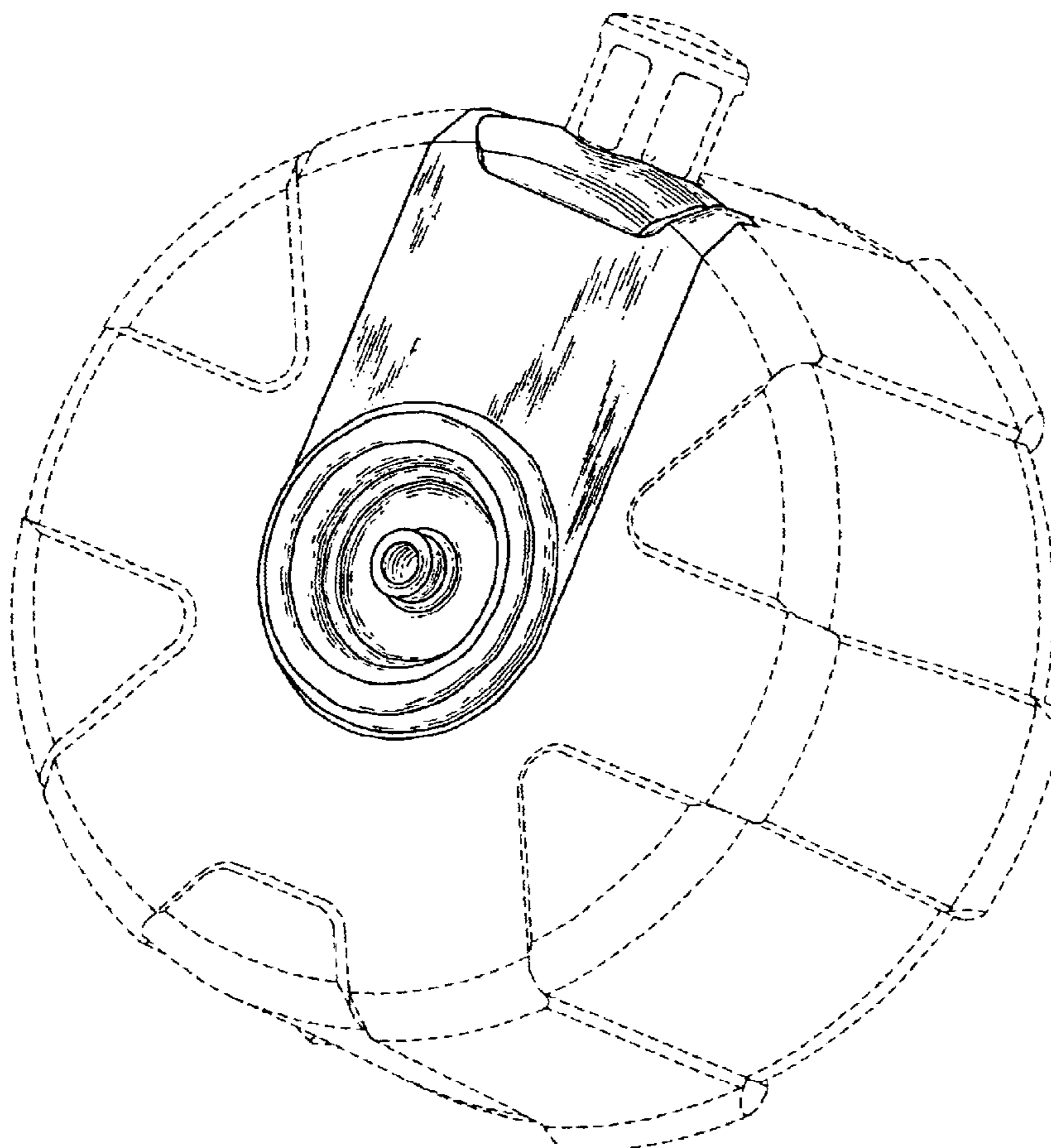
FIG. 6 is a right side elevational view thereof.

FIG. 7 is a rear elevational view thereof; and,

FIG. 8 is a front elevational view thereof.

The broken lines in the figures are for illustrative purposes only and form no part of the claimed design.

1 Claim, 3 Drawing Sheets



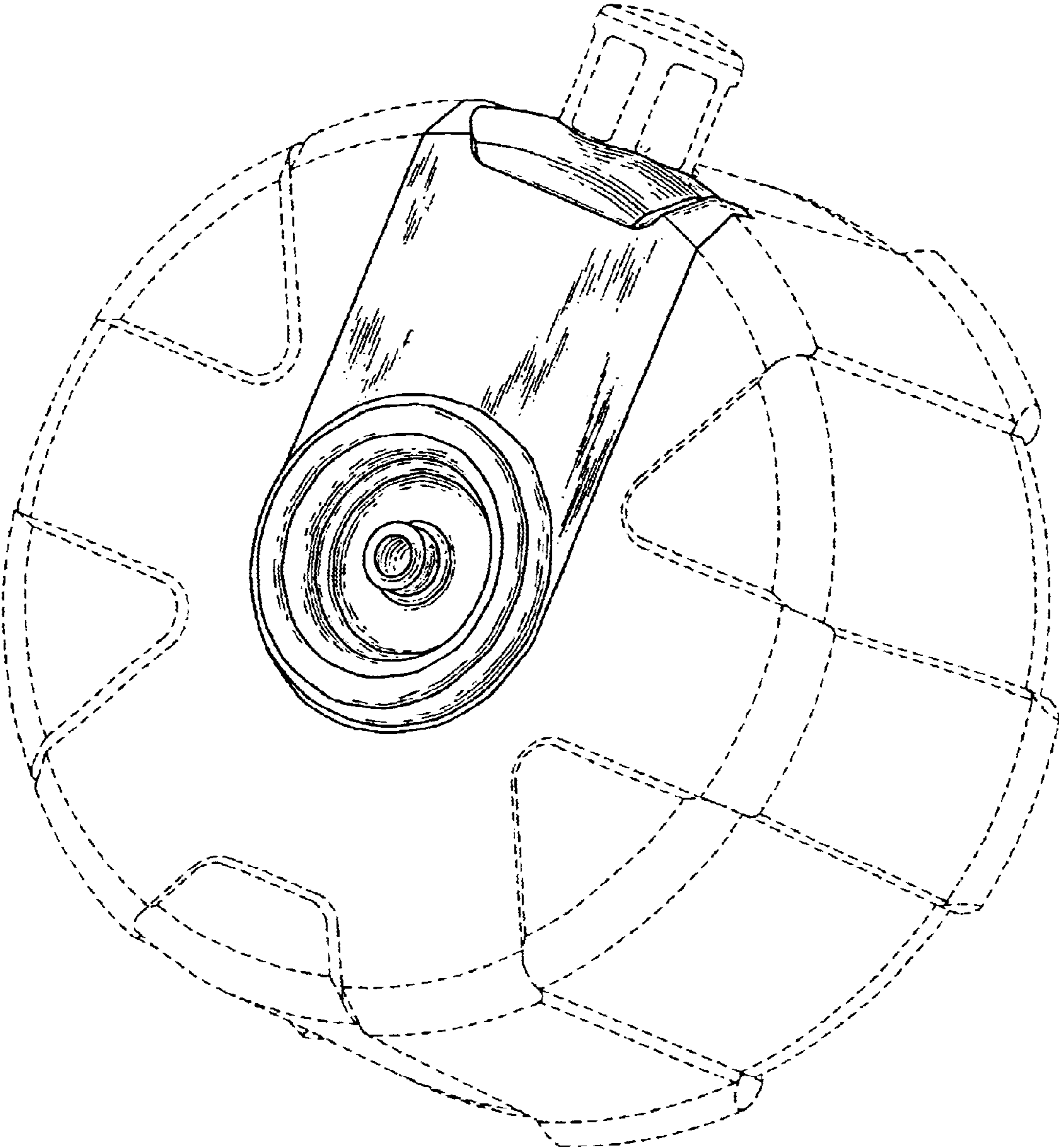


Fig. 1

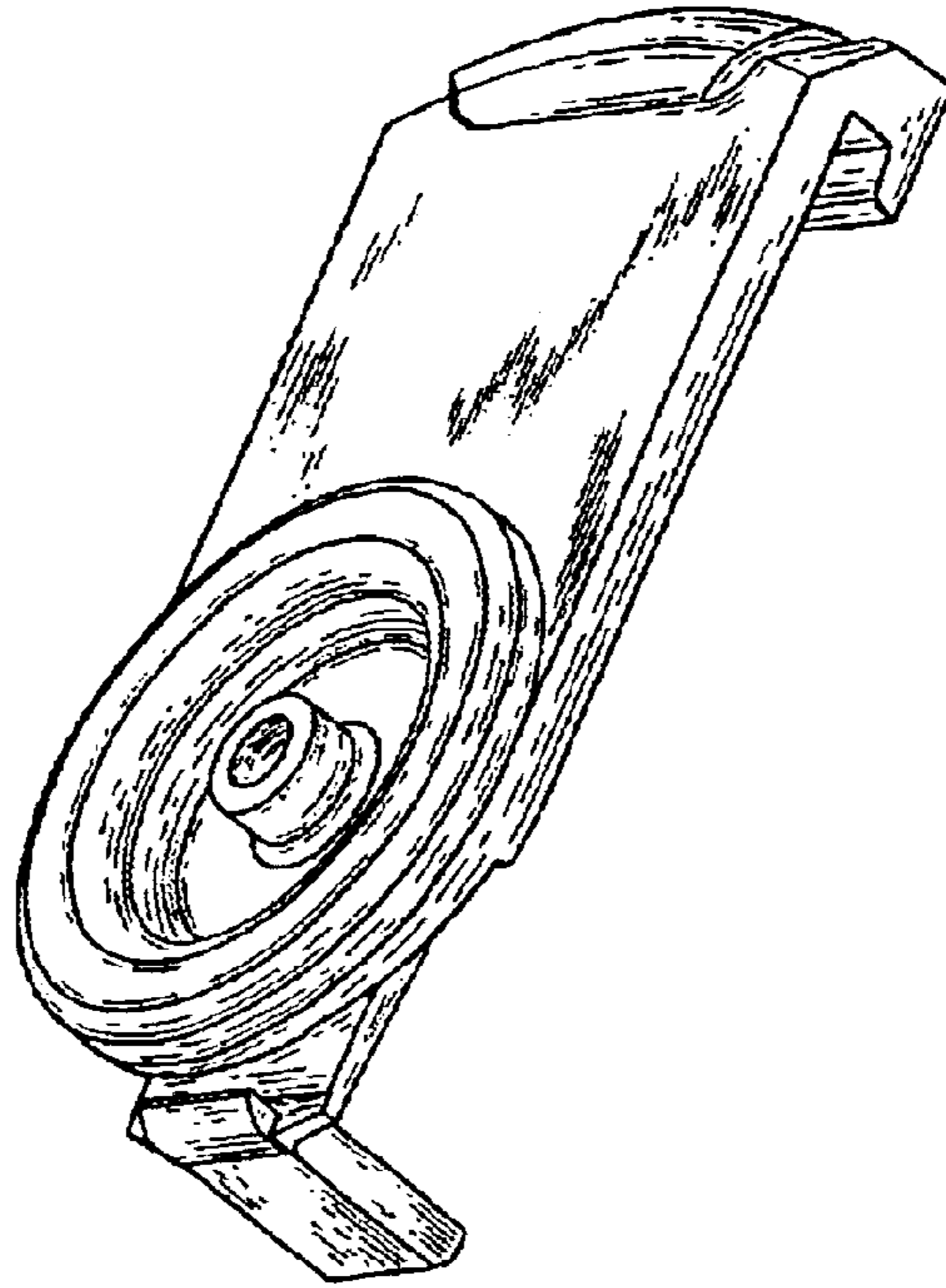


Fig. 2

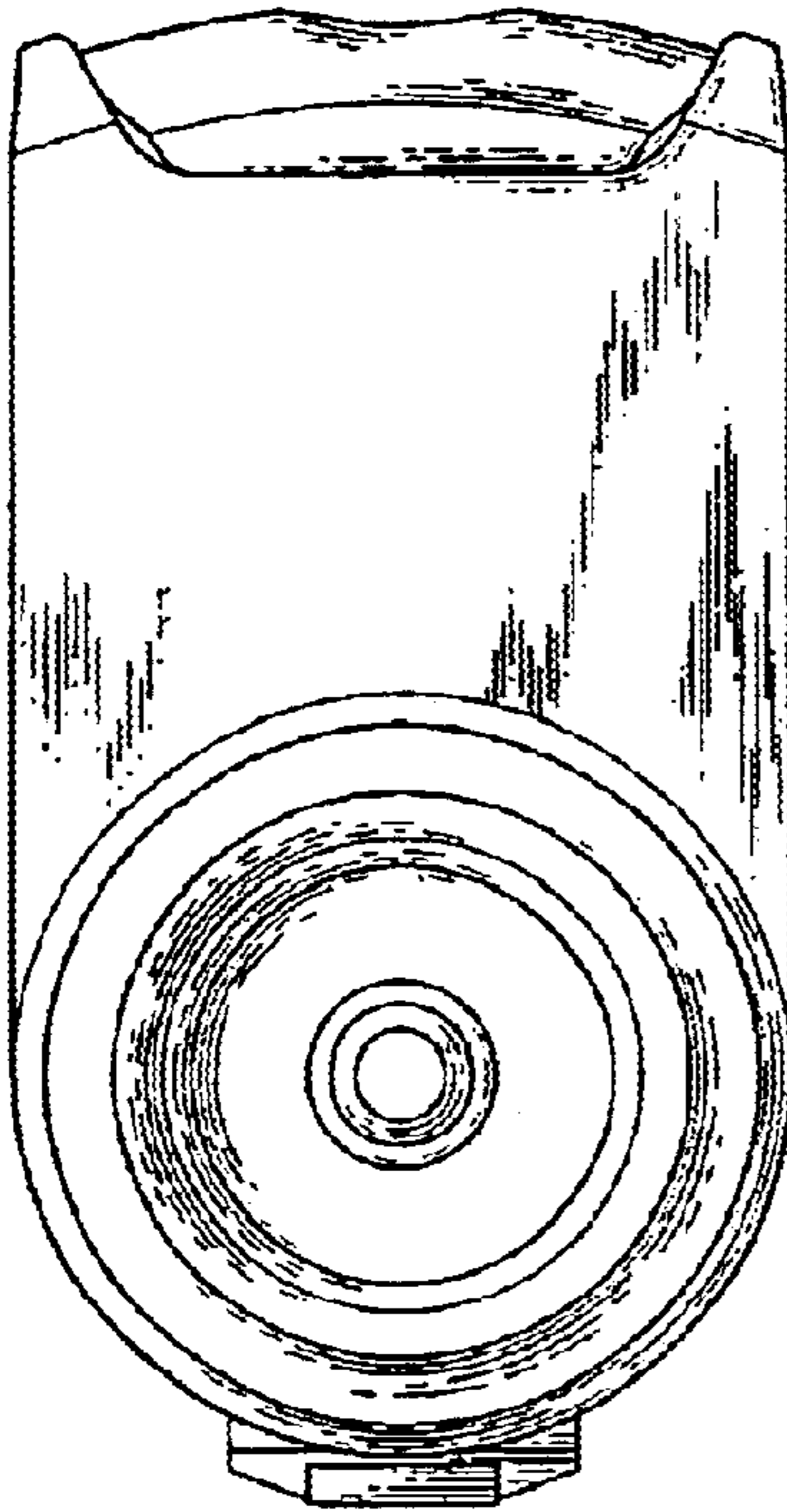


Fig. 3

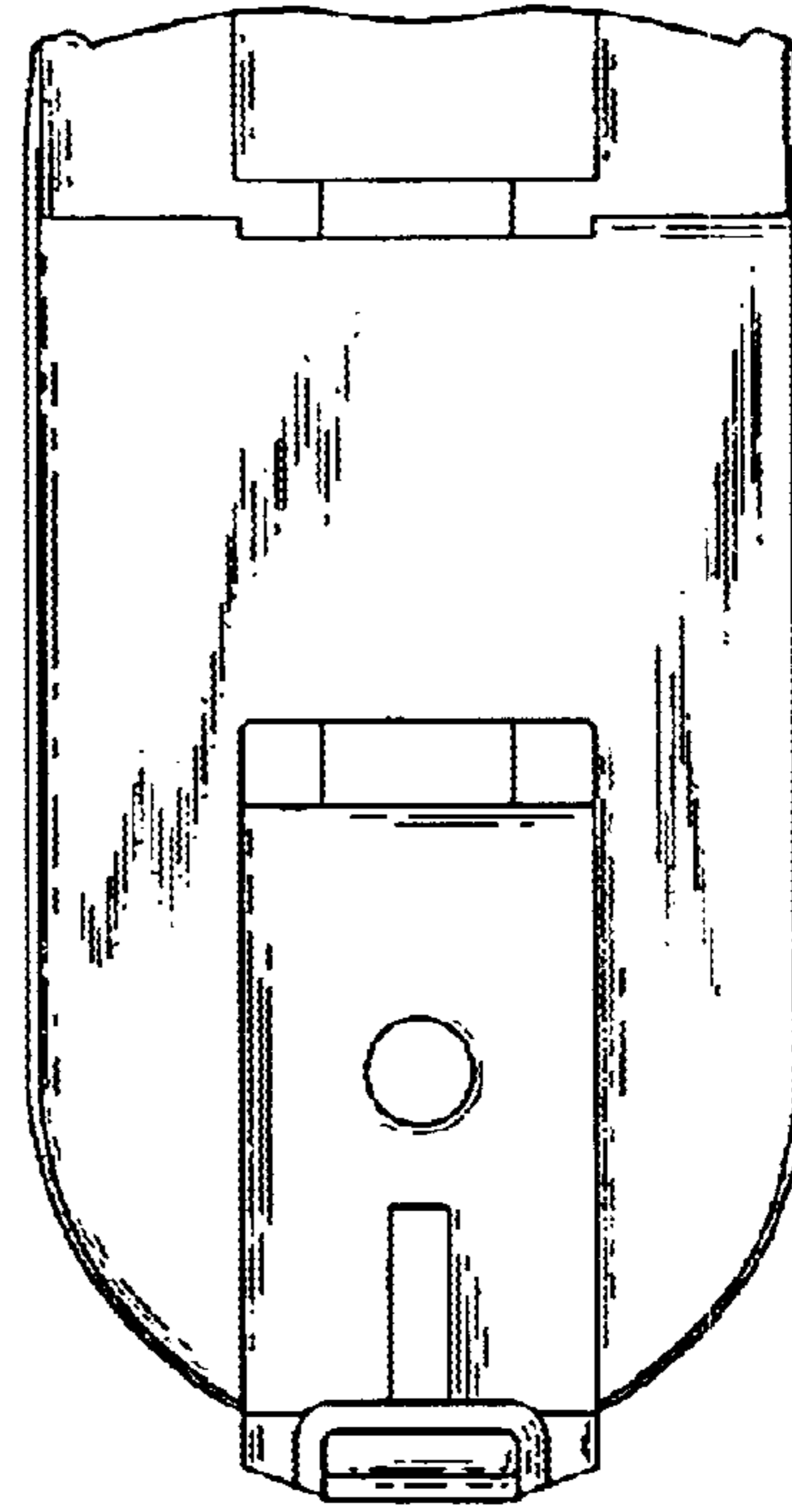


Fig. 4

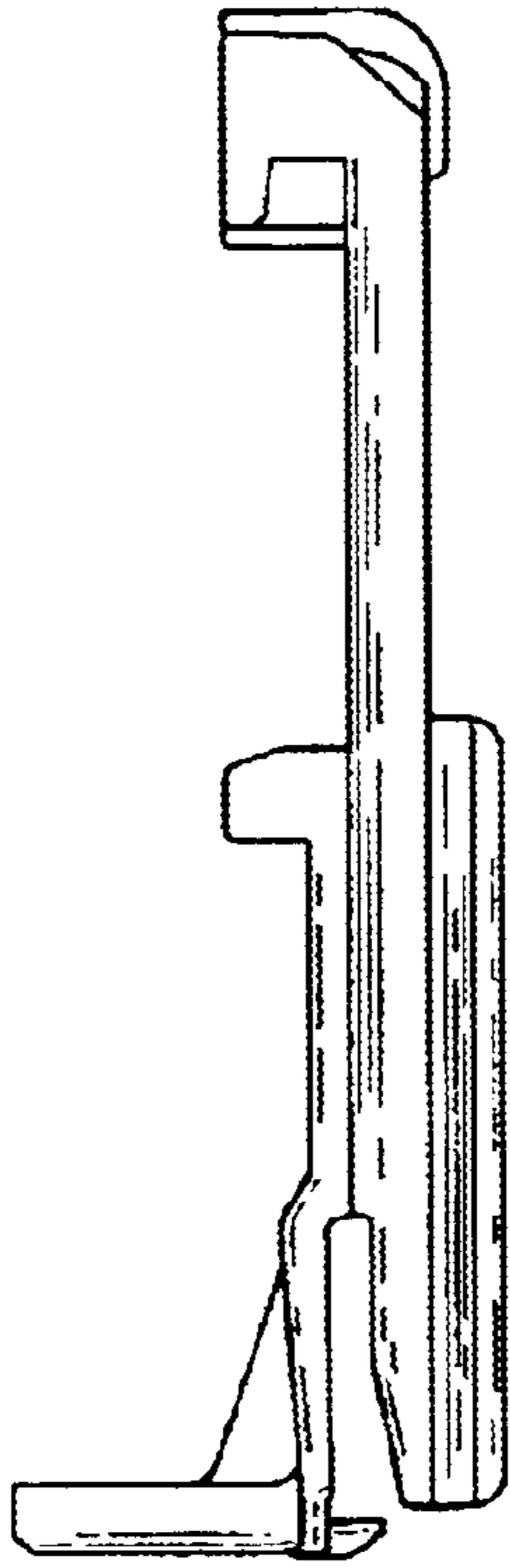


Fig. 5

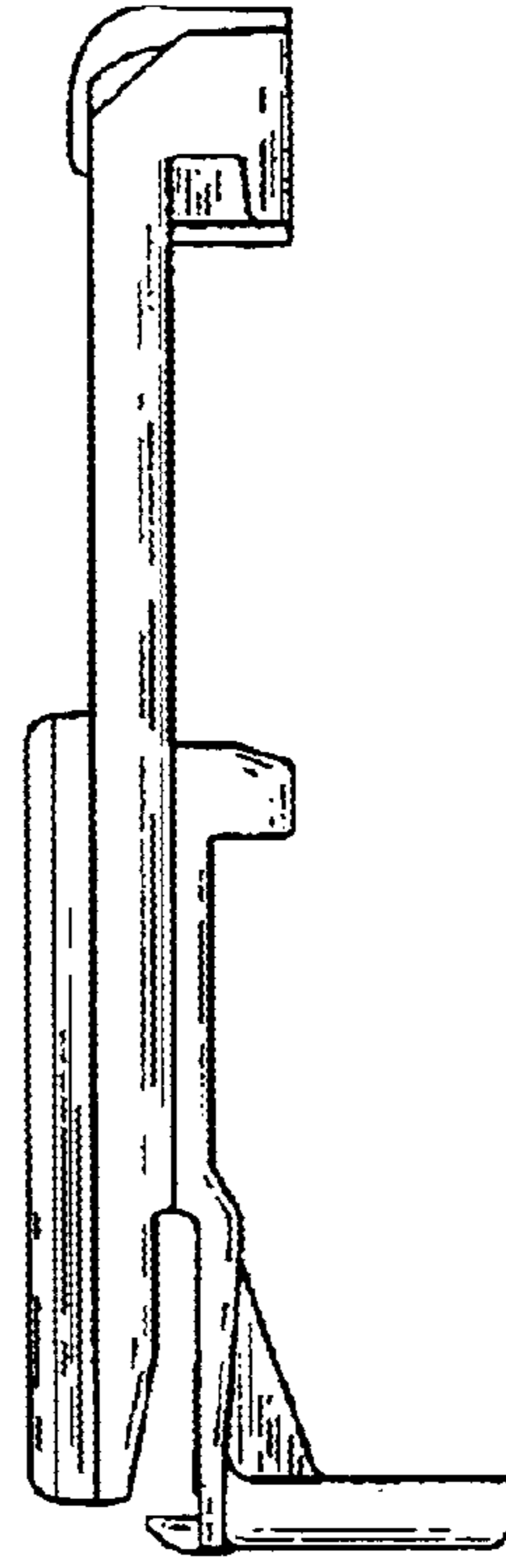


Fig. 6

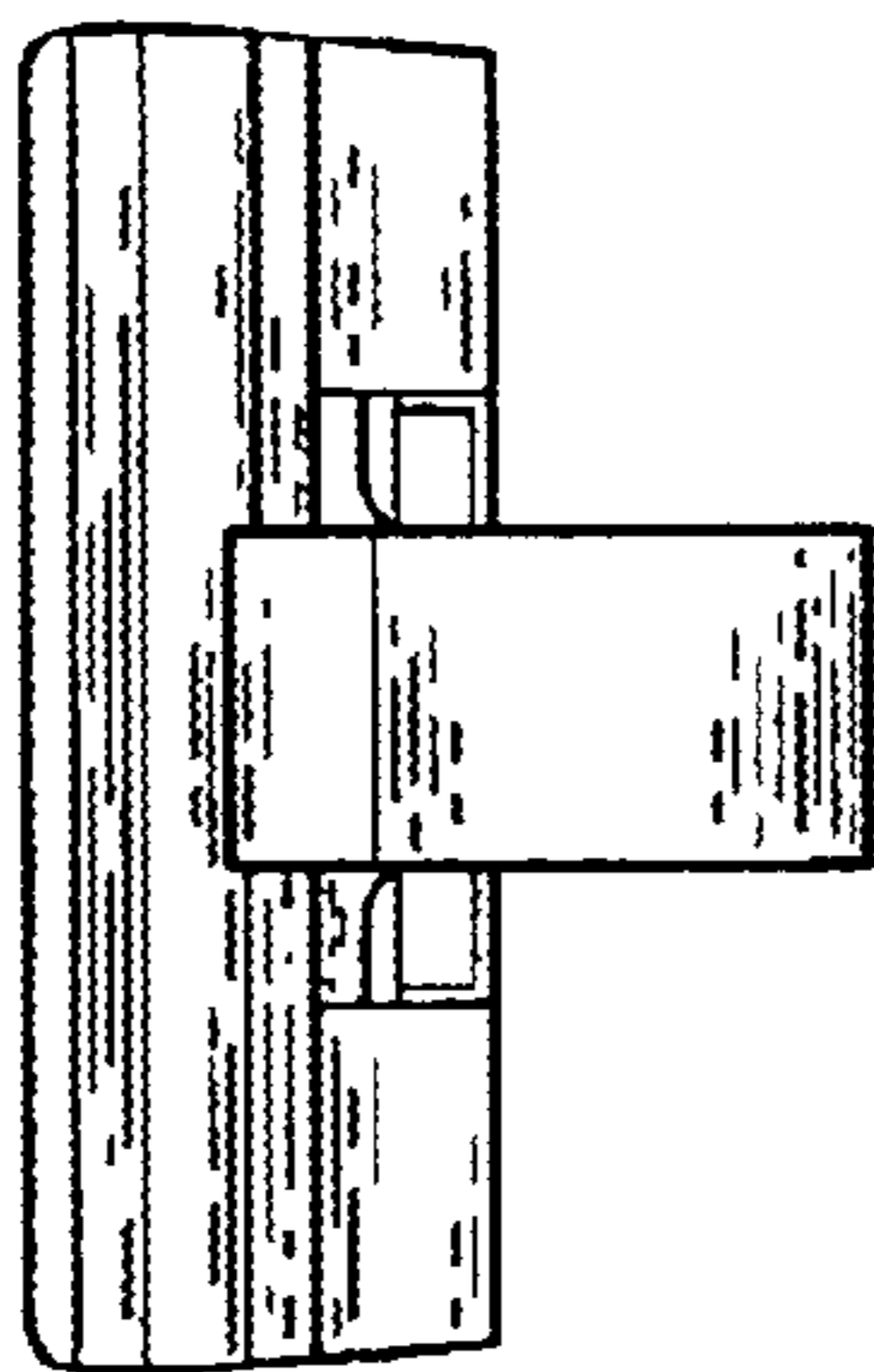


Fig. 7

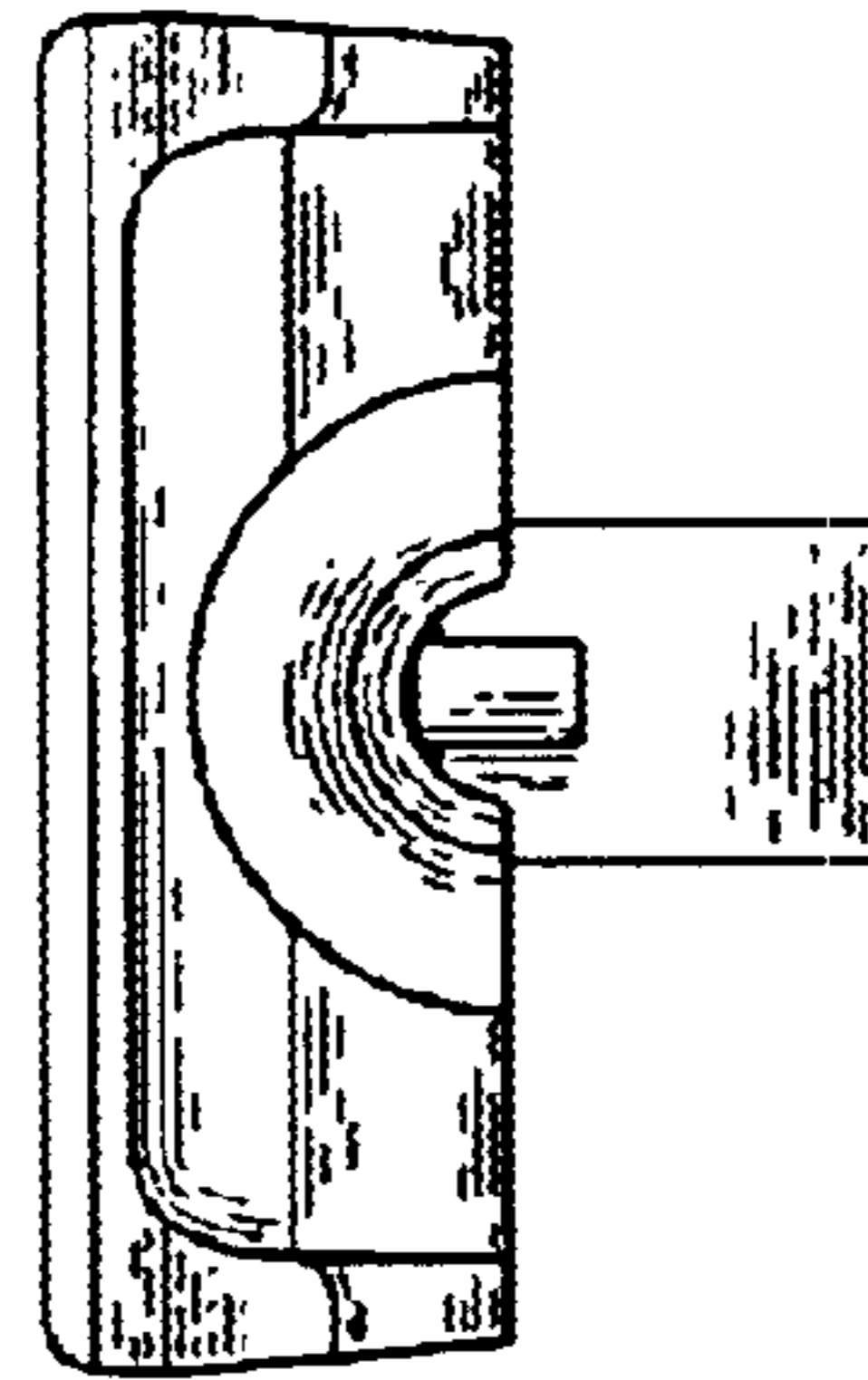


Fig. 8