

US00D492171S1

(12) **United States Design Patent**
Risolio

(10) **Patent No.:** **US D492,171 S**

(45) **Date of Patent:** **** Jun. 29, 2004**

(54) **WRENCH**

(76) **Inventor:** **Larry Joseph Risolio**, 3700 S. Old 3 C Hwy., Galena, OH (US) 43021

(**) **Term:** **14 Years**

(21) **Appl. No.:** **29/174,949**

(22) **Filed:** **Jan. 28, 2003**

(51) **LOC (7) Cl.** **08-05**

(52) **U.S. Cl.** **D8/21; D8/29**

(58) **Field of Search** D8/21-29, 14, D8/107; 81/60-63.2, 177.1, 177.85, 177.8, 119, 121.1, 124.3, 124.7, 125, 185, 3.4

(56) **References Cited**

U.S. PATENT DOCUMENTS

D274,973 S	*	8/1984	Waller	D8/21
D301,675 S	*	6/1989	Pearse et al.	D8/21
D324,630 S	*	3/1992	Moeller	D8/21

D337,246 S	*	7/1993	Arden	D8/107
5,297,458 A	*	3/1994	Smith et al.	81/124.3
D382,781 S	*	8/1997	Shaw et al.	D8/14
D398,493 S	*	9/1998	Jones	D8/29
D466,766 S	*	12/2002	Marty et al.	D8/21

* cited by examiner

Primary Examiner—Raphael Barkai
(74) *Attorney, Agent, or Firm*—Jeffrey Furr

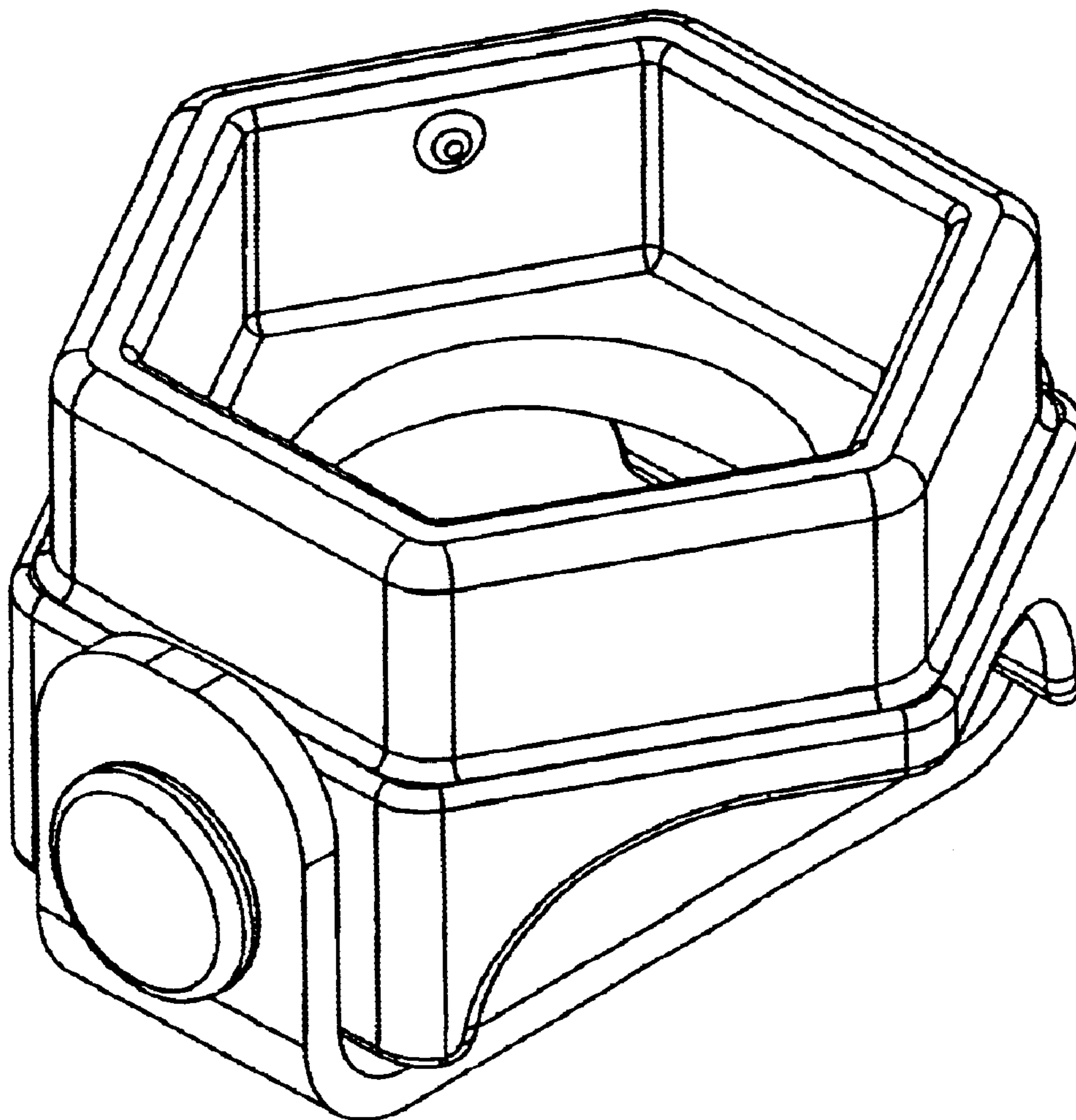
(57) **CLAIM**

The ornamental design for a wrench, as shown.

DESCRIPTION

FIG. 1 is a front elevational view of a wrench showing my new design;
FIG. 2 is a top view thereof;
FIG. 3 is a bottom view
FIG. 4 is a back view thereof; and,
FIG. 5 is a front view thereof.

1 Claim, 5 Drawing Sheets



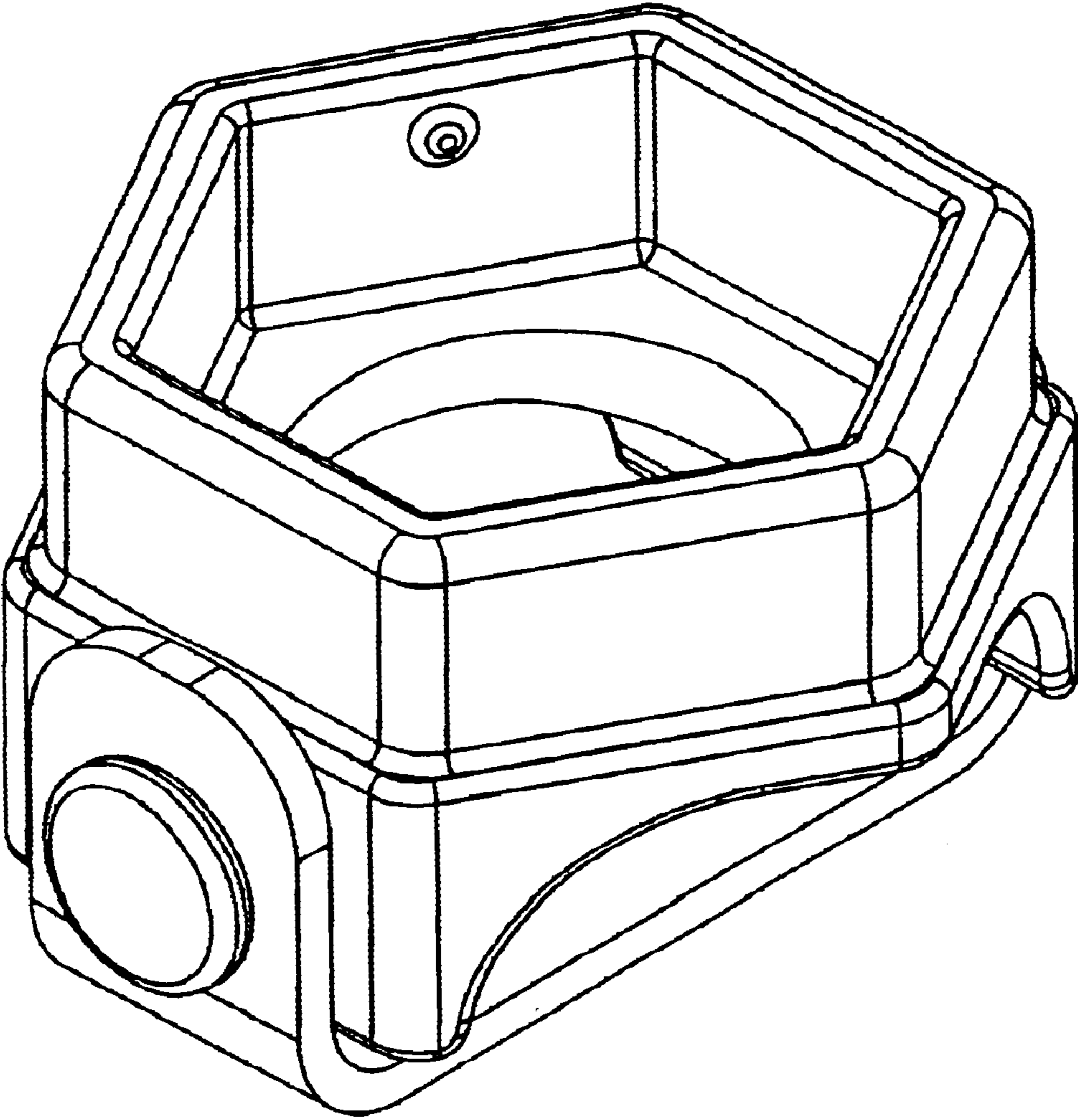


FIG. 1

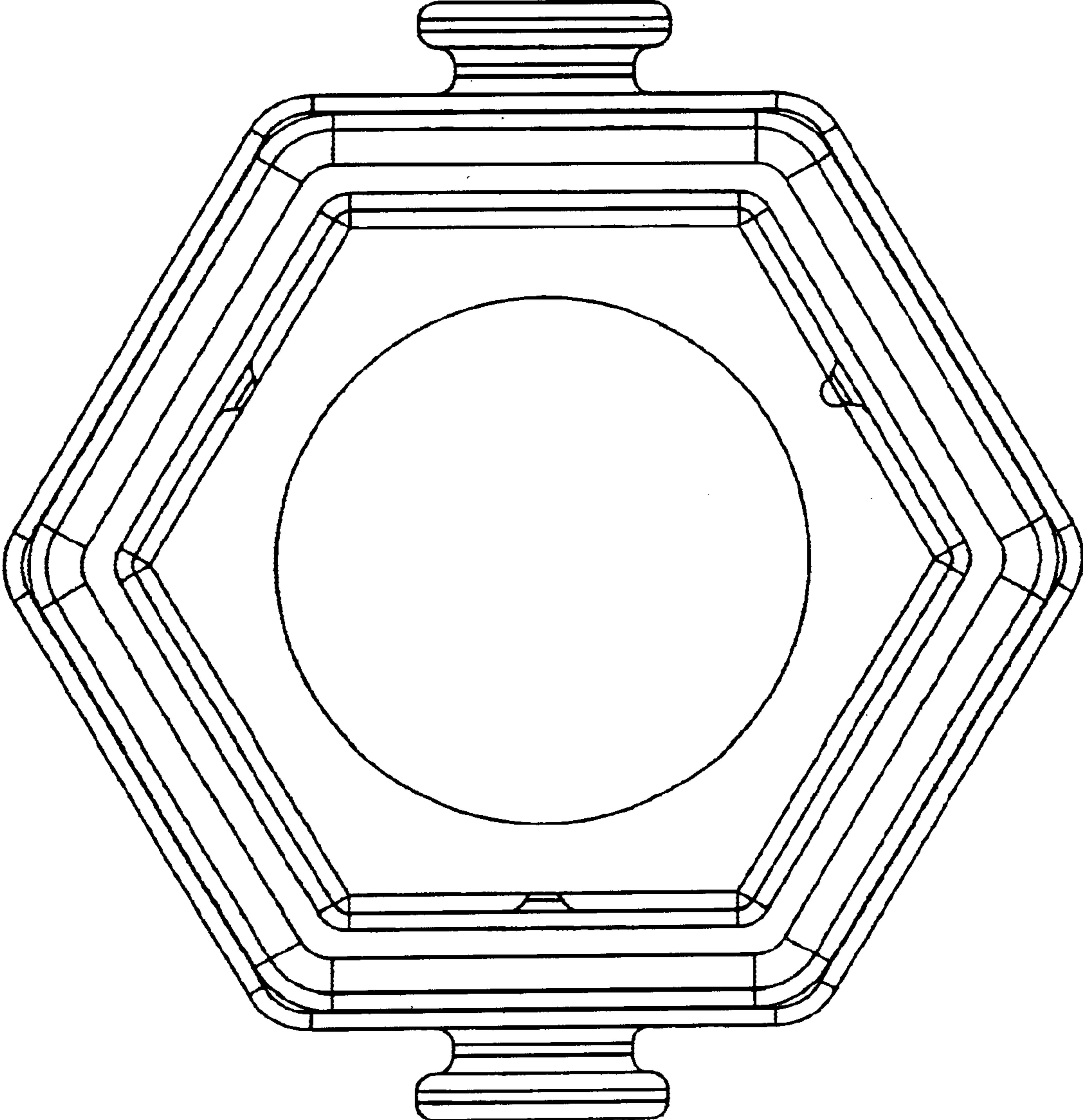


FIG. 2

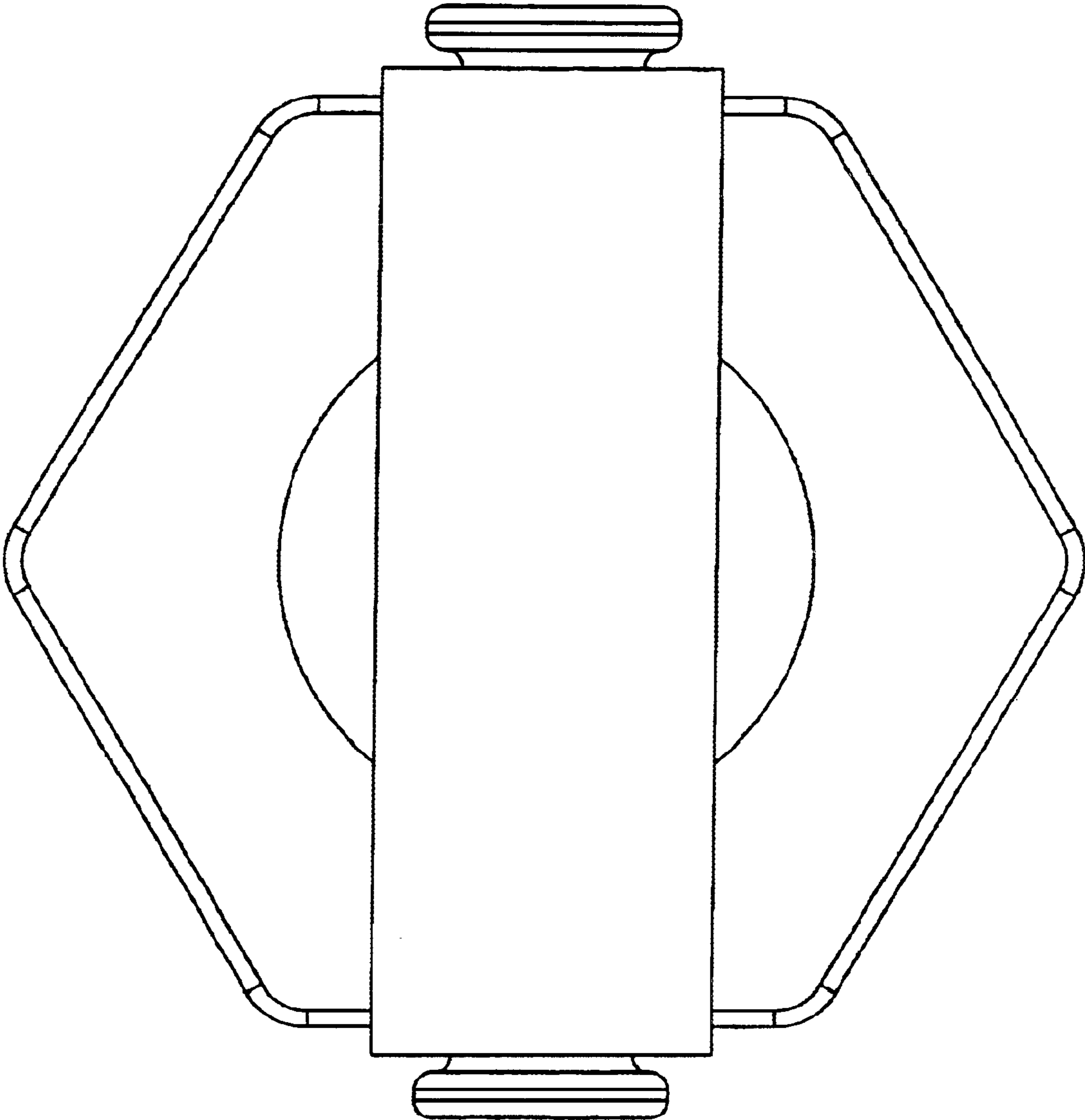


FIG. 3

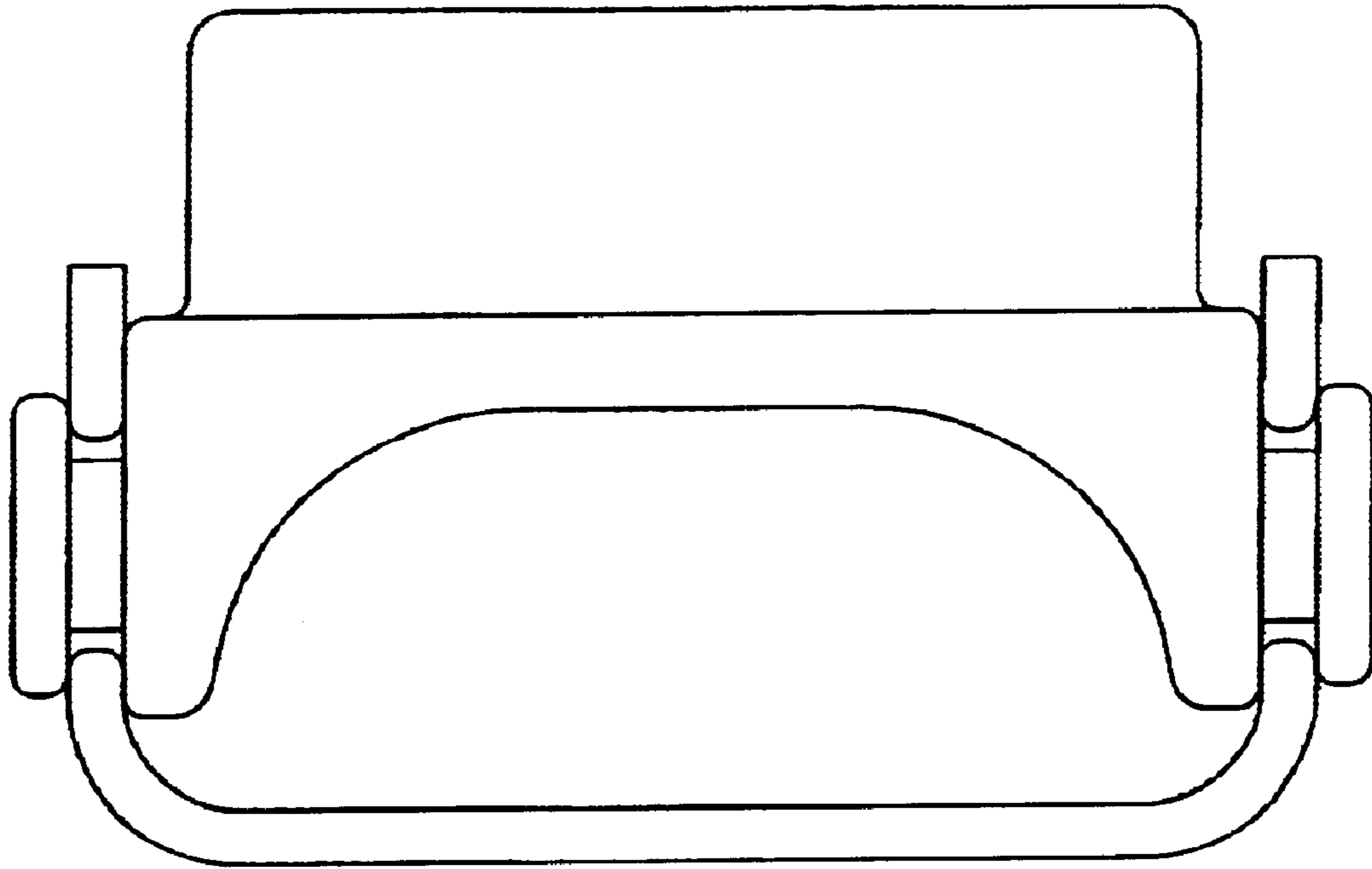


FIG. 4

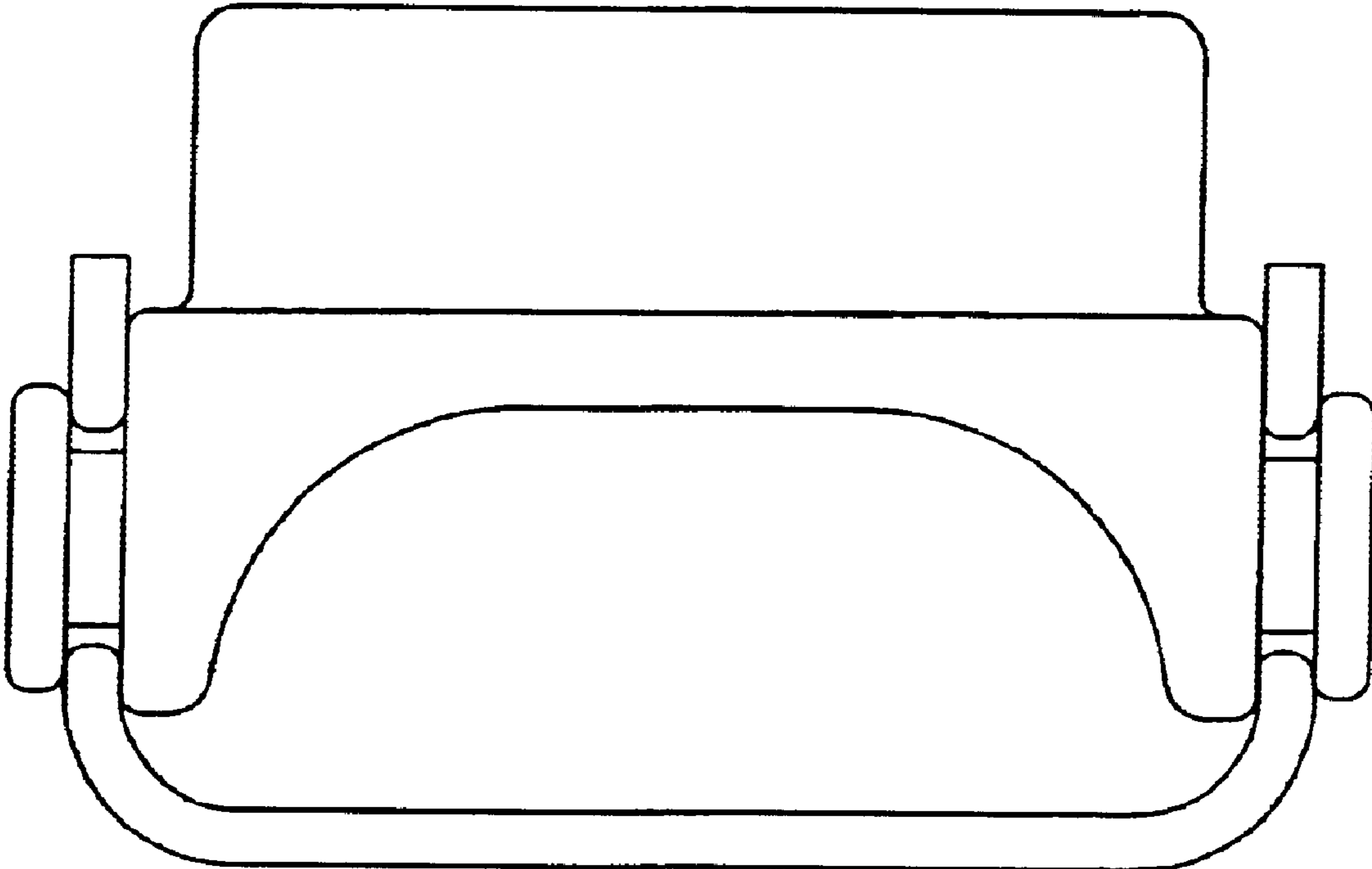


FIG. 5