

US00D492169S1

(12) **United States Design Patent** (10) **Patent No.:** **US D492,169 S**
Lamon (45) **Date of Patent:** **** Jun. 29, 2004**

- (54) **PNEUMATIC HIDE REMOVAL DEVICE**
 (76) Inventor: **George N. Lamon**, W219 Country Rd.
 PP, Elmwood, WI (US) 54740-8007
 (**) Term: **14 Years**
 (21) Appl. No.: **29/177,859**
 (22) Filed: **Mar. 18, 2003**
 (51) **LOC (7) Cl.** **08-05**
 (52) **U.S. Cl.** **D8/14**
 (58) **Field of Search** D8/14, 31; 81/15.7;
 29/280, 213.1

(56) **References Cited**

U.S. PATENT DOCUMENTS

3,235,951	A	*	2/1966	Sanders	29/213.1
3,945,273	A	*	3/1976	Wolk	81/15.7
4,763,546	A	*	8/1988	Yeh et al.	81/15.7
5,347,697	A	*	9/1994	Stallings	29/280
6,170,361	B1	*	1/2001	Yates	81/15.7

* cited by examiner

Primary Examiner—Holly Baynham
(74) *Attorney, Agent, or Firm*—Merchant & Gould P.C.

(57) **CLAIM**

The ornamental design for pneumatic hide removal device,
as shown and described.

DESCRIPTION

FIG. 1 is a top view of a first embodiment.
 FIG. 2 is a first side view of the first embodiment of FIG. 1.
 FIG. 3 is a second opposite side view of the first embodiment of FIG. 1.
 FIG. 4 is a first end view of the first embodiment of FIG. 1.
 FIG. 5 is a second opposite end view of the first embodiment of FIG. 1.
 FIG. 6 is a top view of a second embodiment.
 FIG. 7 is a first side view of the second embodiment of FIG. 6.

FIG. 8 is a second opposite side view of the second embodiment of FIG. 6.
 FIG. 9 is a first end view of the second embodiment of FIG. 6.
 FIG. 10 is a second opposite end view of the second embodiment of FIG. 6.
 FIG. 11 is a top view of a third embodiment.
 FIG. 12 is a first side view of the third embodiment of FIG. 11.
 FIG. 13 is a second opposite side view of the third embodiment of FIG. 11.
 FIG. 14 is a first end view of the third embodiment of FIG. 11.
 FIG. 15 is a second opposite end view of the third embodiment of FIG. 11.
 FIG. 16 is a top view of a fourth embodiment.
 FIG. 17 is a first side view of the fourth embodiment of FIG. 16.
 FIG. 18 is a second opposite side view of the fourth embodiment of FIG. 16.
 FIG. 19 is a first end view of the fourth embodiment of FIG. 16.
 FIG. 20 is a second opposite end view of the fourth embodiment of FIG. 16.
 FIG. 21 is a top view of a fifth embodiment.
 FIG. 22 is a first side view of the fifth embodiment of FIG. 21.
 FIG. 23 is a second opposite view of the fifth embodiment of FIG. 21.
 FIG. 24 is a first end view of the fifth embodiment of FIG. 21.
 FIG. 25 is a second opposite end view of the fifth embodiment of FIG. 21.
 FIG. 26 is a top view of a sixth embodiment.
 FIG. 27 is a first side view of the sixth embodiment of FIG. 26.
 FIG. 28 is a second opposite side view of the sixth embodiment of FIG. 26.
 FIG. 29 is a first end view of the sixth embodiment of FIG. 26.
 FIG. 30 is a second opposite end view of the sixth embodiment of FIG. 26.
 FIG. 31 is a top view of a seventh embodiment.

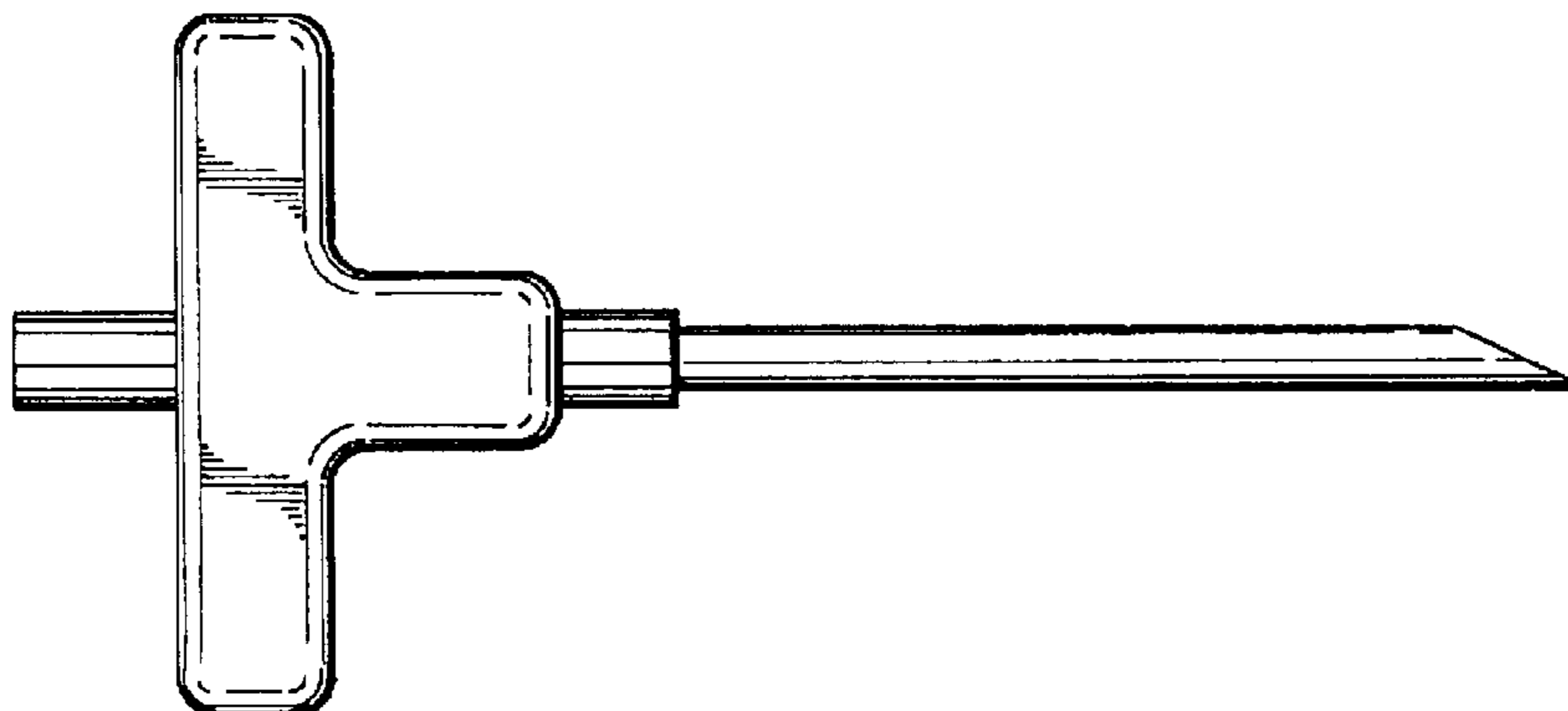


FIG. 32 is a first side view of the seventh embodiment of FIG. 31.

FIG. 33 is a second opposite side view of the seventh embodiment of FIG. 31.

FIG. 34 is a first end view of the seventh embodiment of FIG. 31.

FIG. 35 is a second opposite end view of the seventh embodiment of FIG. 31.

FIG. 36 is a top view of a eighth embodiment.

FIG. 37 is a first side view of the eighth embodiment of FIG. 36.

FIG. 38 is a second opposite side view of the eighth embodiment of FIG. 36.

FIG. 39 is a first end view of the eighth embodiment of FIG. 36.

FIG. 40 is a second opposite end view of the eighth embodiment of FIG. 36.

FIG. 41 is a top side view of a ninth embodiment.

FIG. 42 is a first side view of the ninth embodiment of FIG. 41.

FIG. 43 is a second opposite side view of the ninth embodiment of FIG. 41.

FIG. 44 is a first end view of the ninth embodiment of FIG. 41.

FIG. 45 is a second opposite end view of the ninth embodiment of FIG. 41.

FIG. 46 is a top view of a tenth embodiment.

FIG. 47 is a first end view of the tenth embodiment of FIG. 46; and,

FIG. 48 is a second opposite end view of the tenth embodiment of FIG. 46.

1 Claim, 10 Drawing Sheets

FIG. 2



FIG. 1

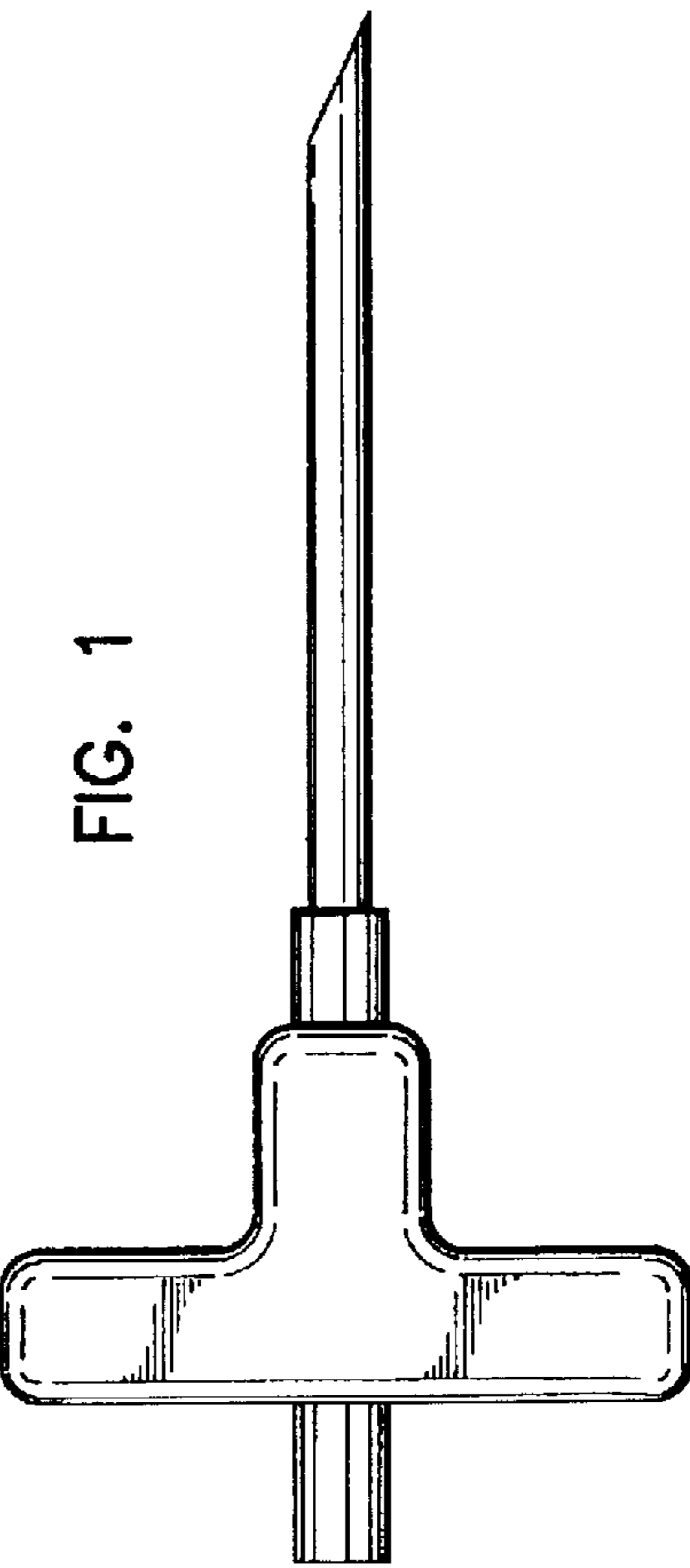


FIG. 4

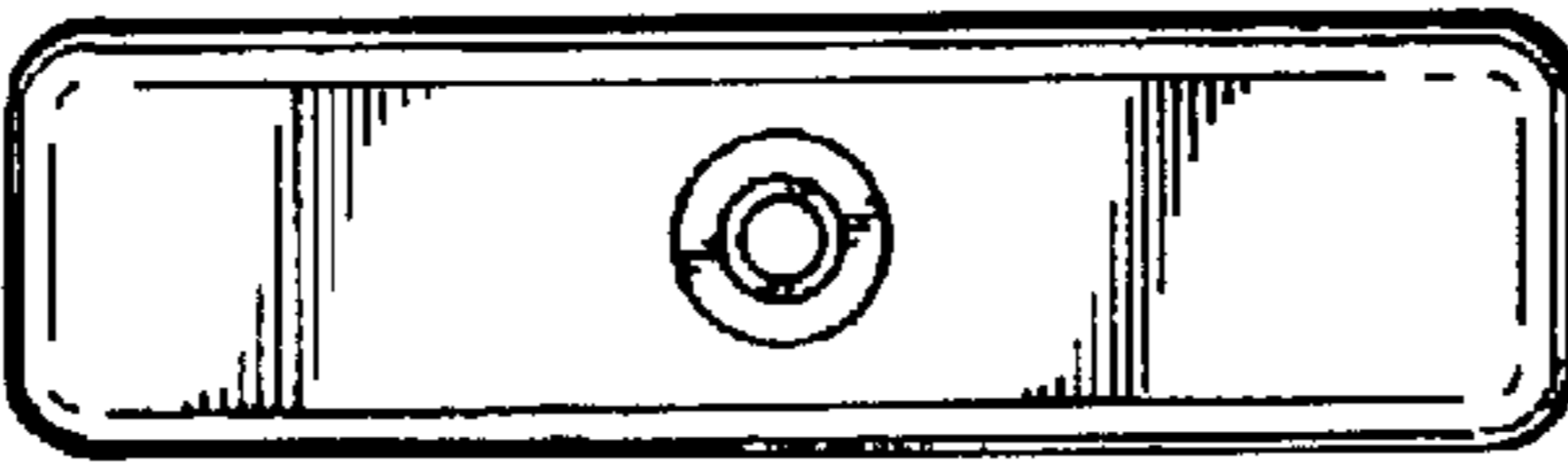


FIG. 5

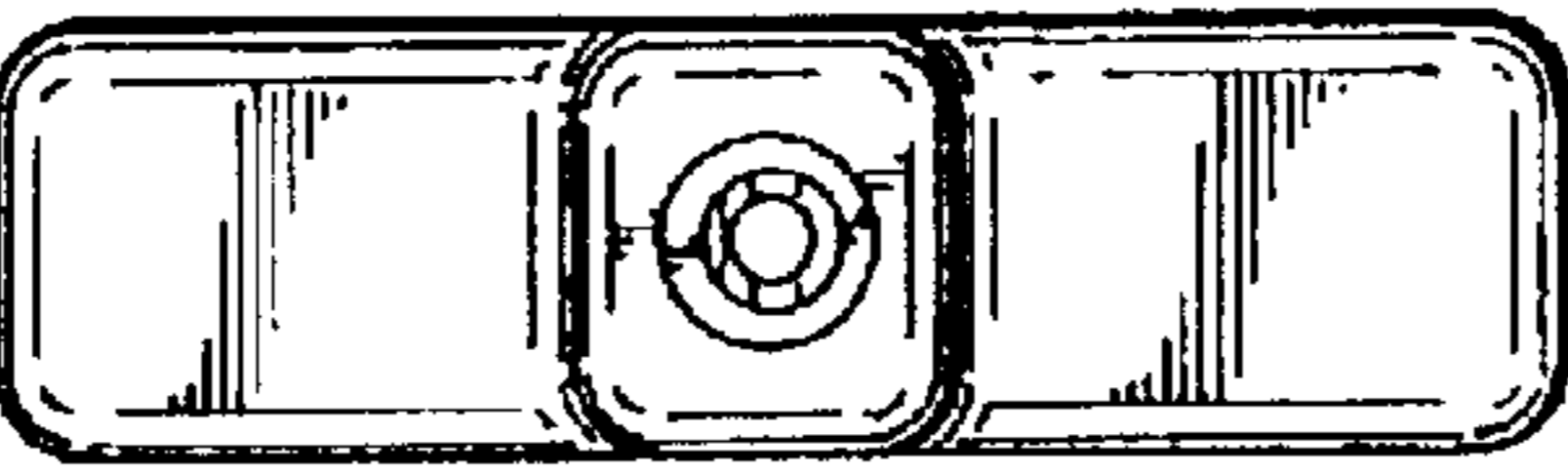


FIG. 3

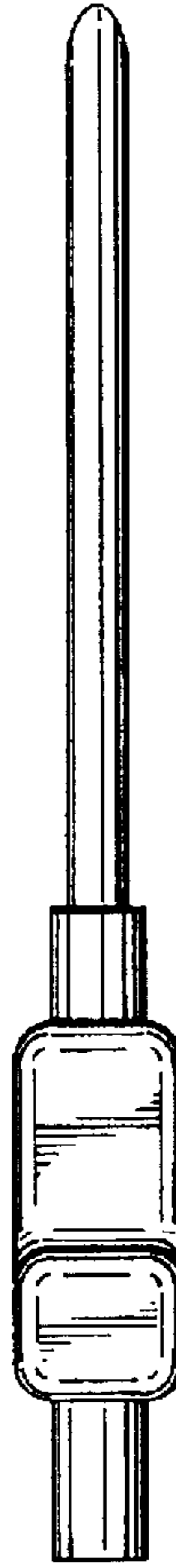


FIG. 7



FIG. 6

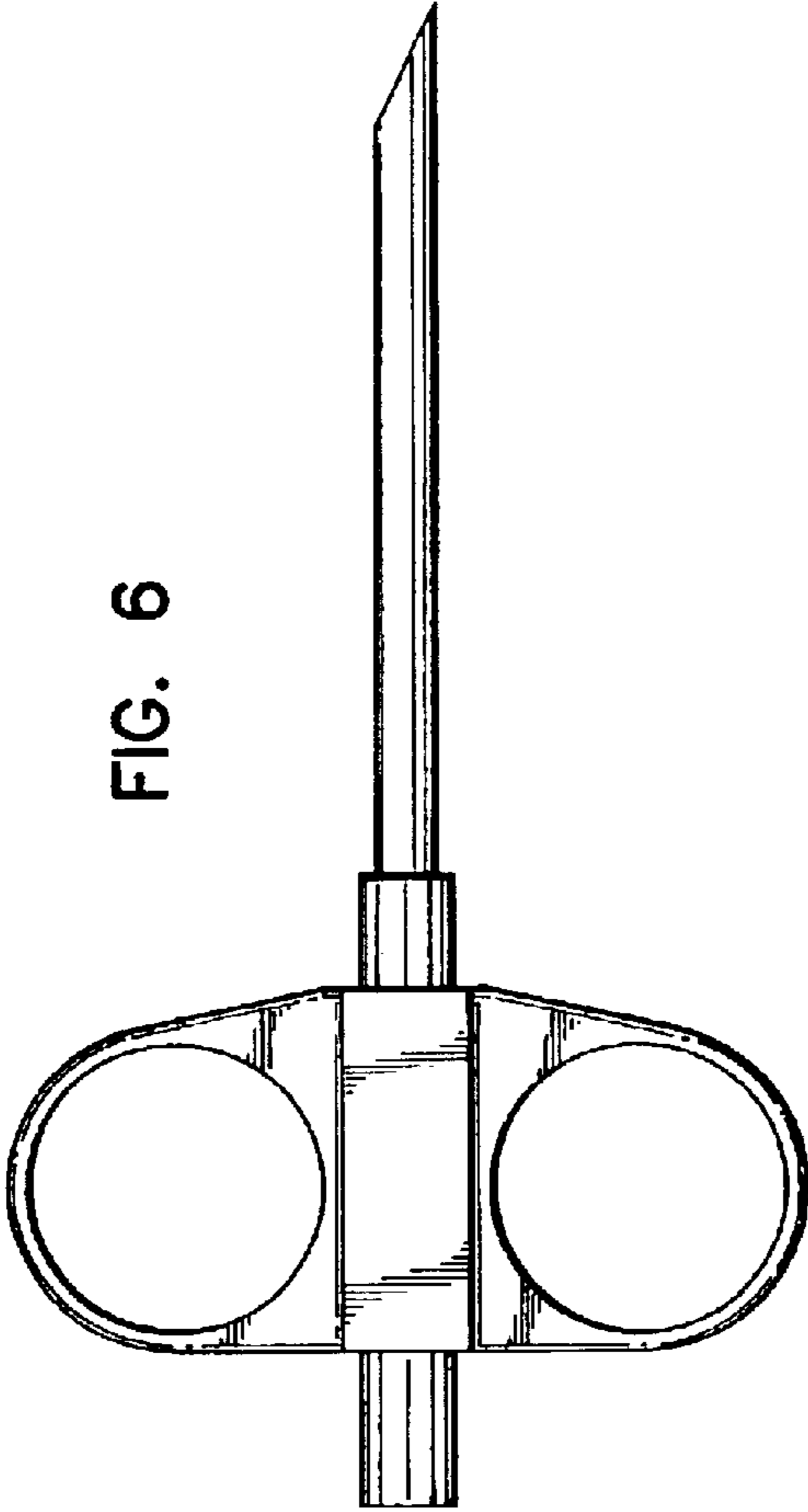


FIG. 8



FIG. 9

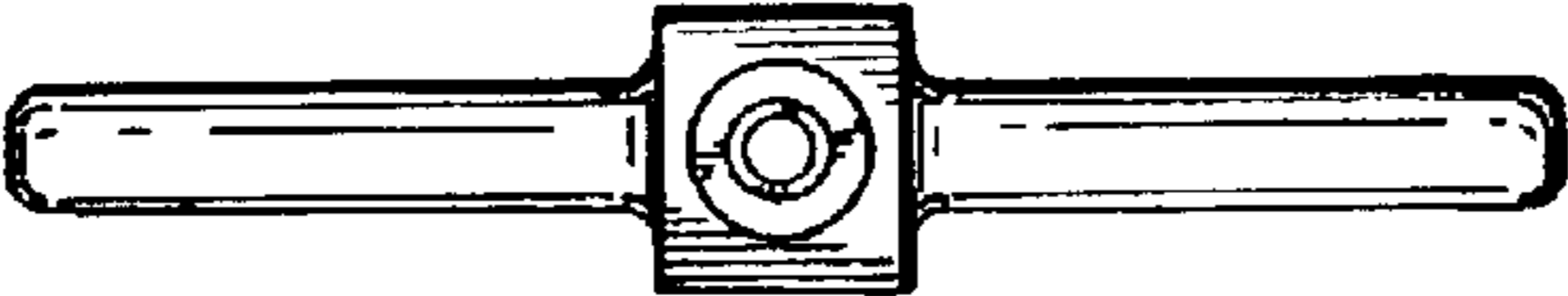


FIG. 10

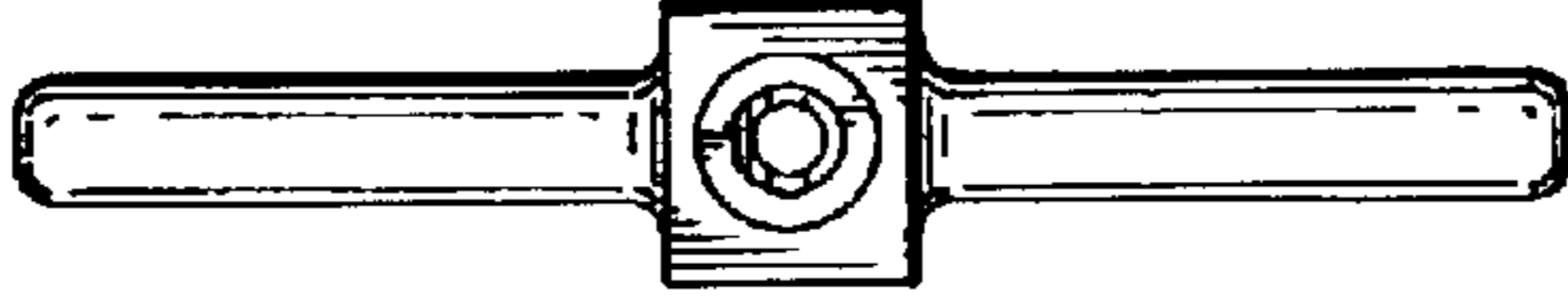


FIG. 12

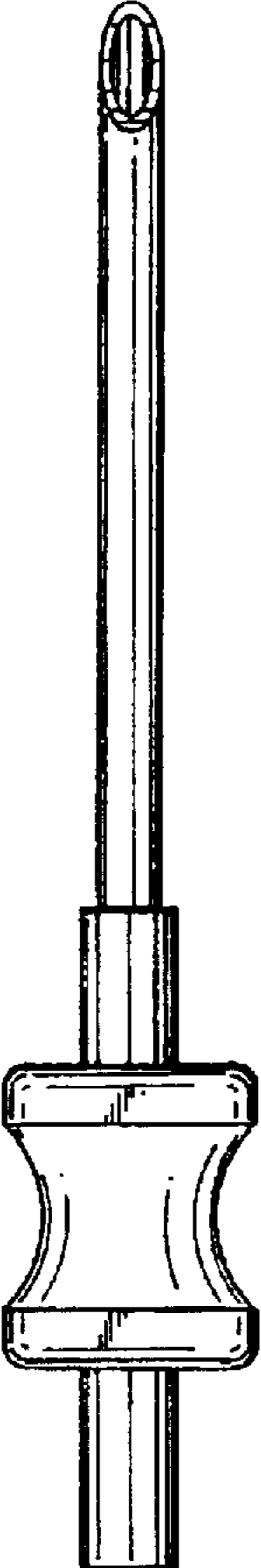


FIG. 11

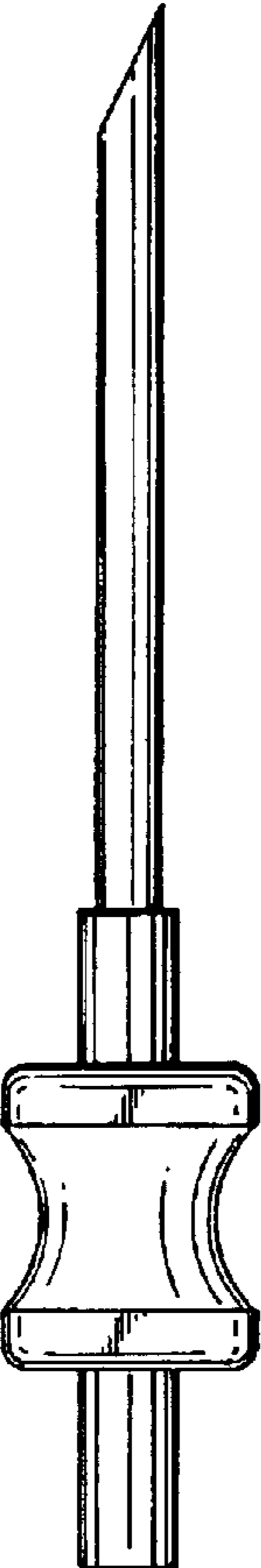


FIG. 13

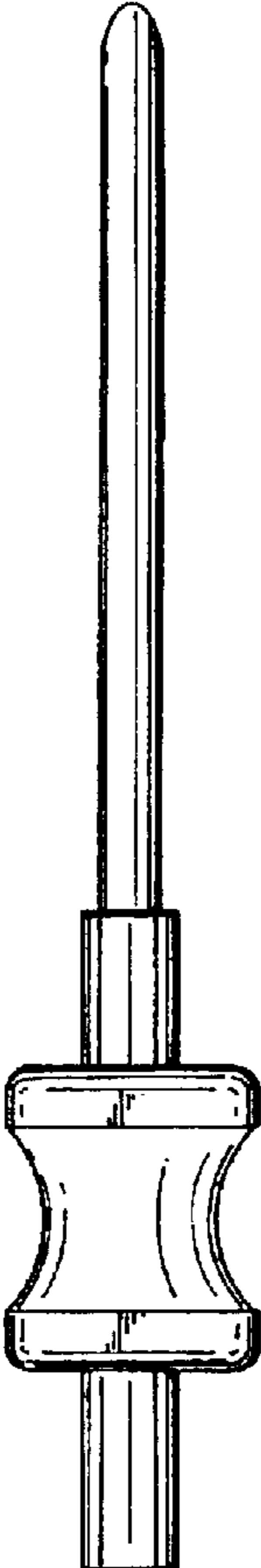


FIG. 14

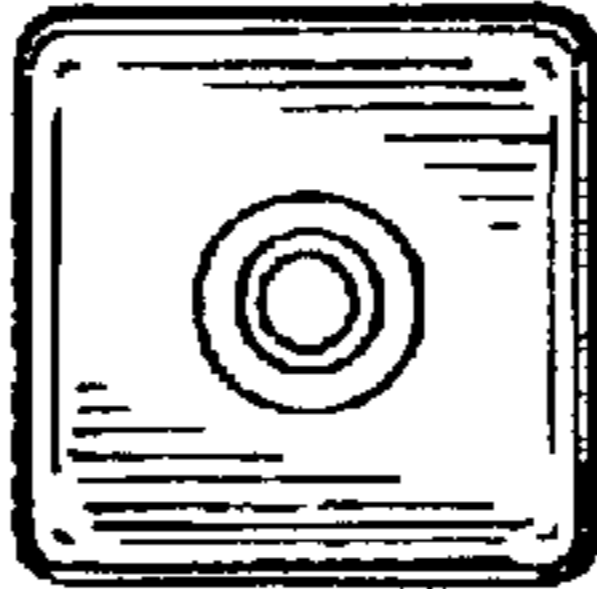


FIG. 15



FIG. 17

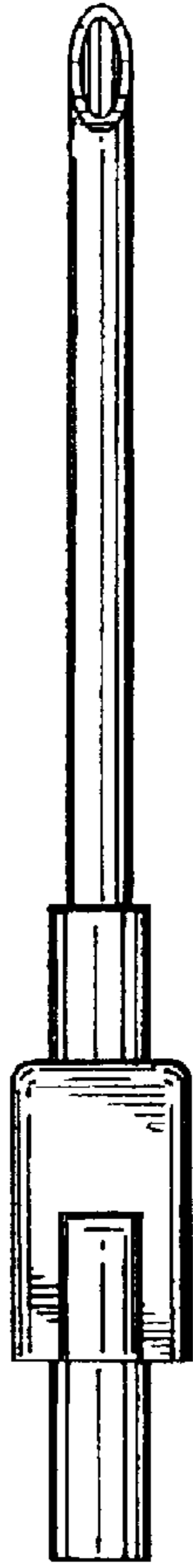


FIG. 16

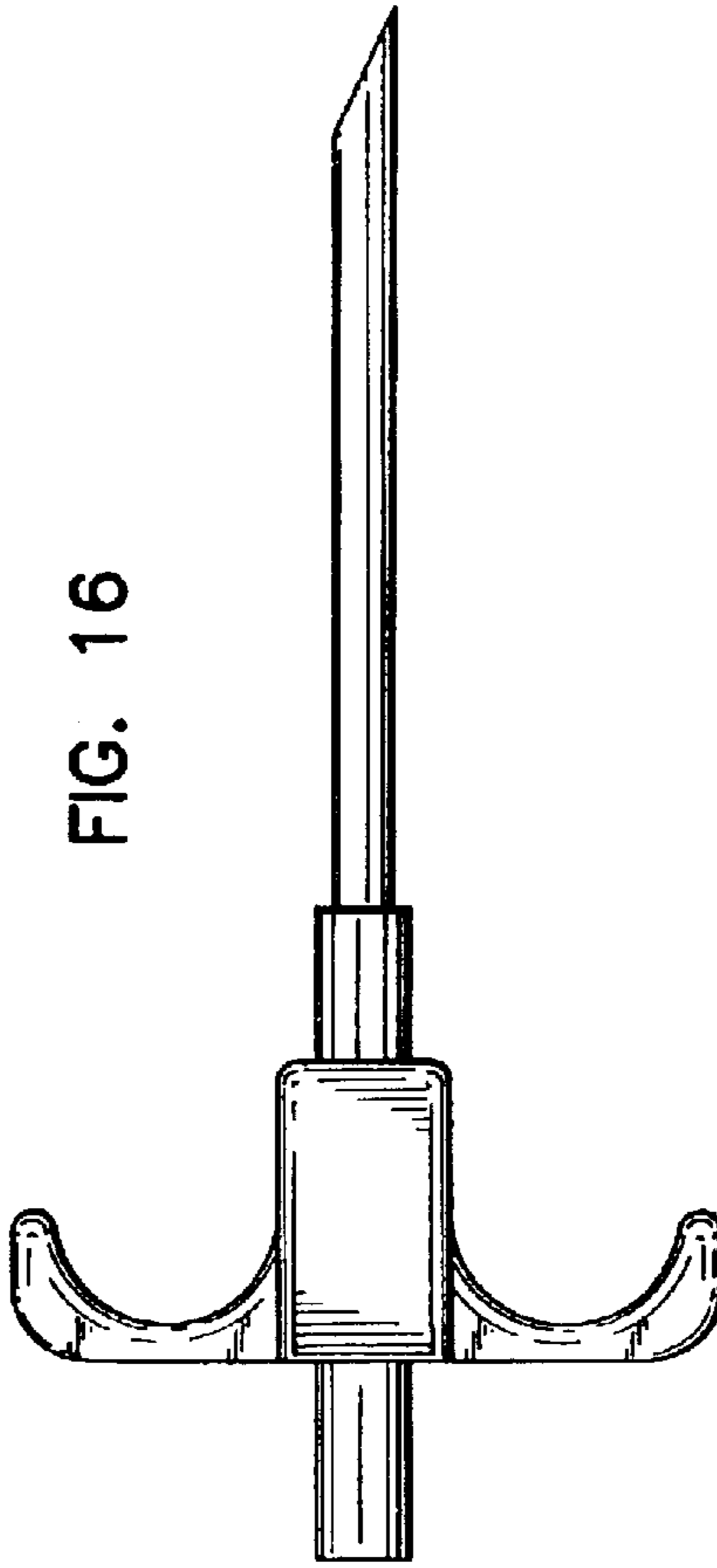


FIG. 18

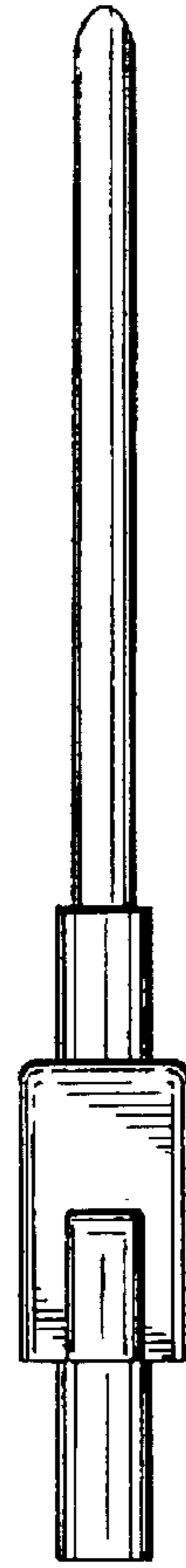


FIG. 19

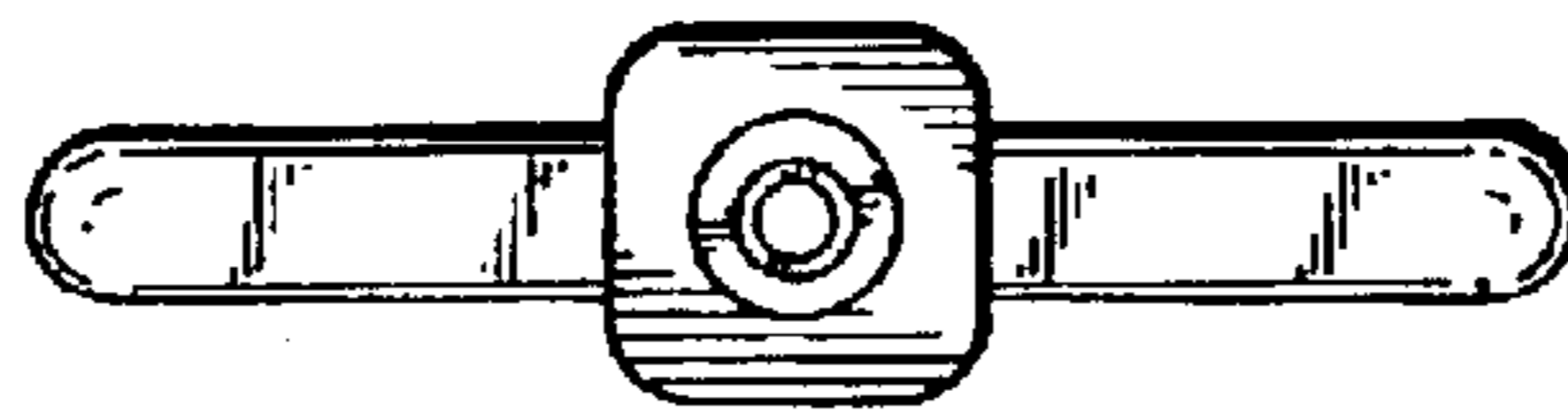


FIG. 20

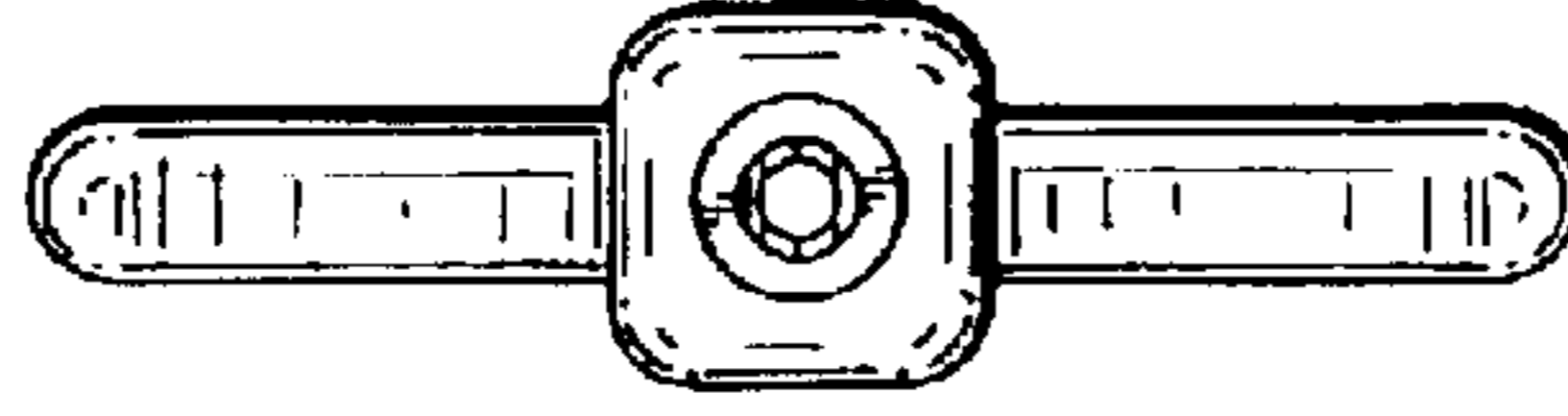


FIG. 22



FIG. 21

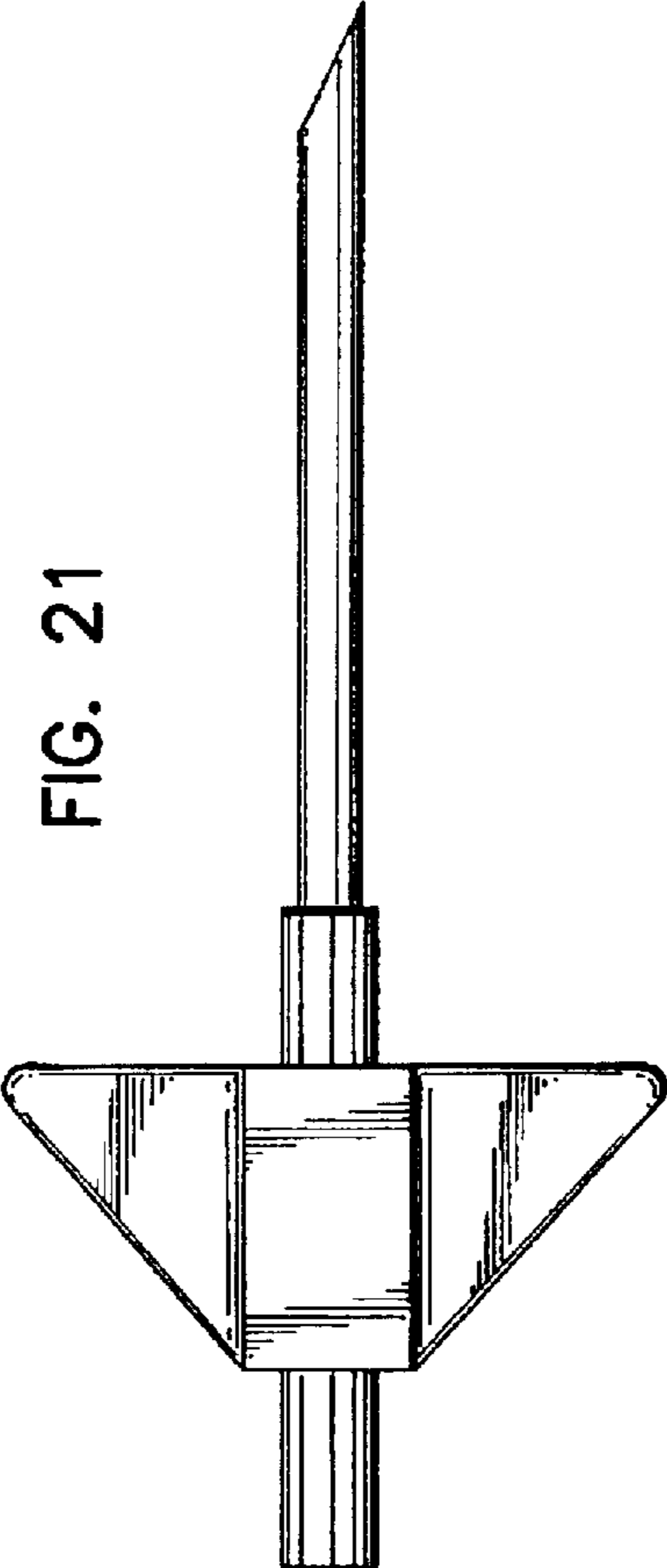


FIG. 23



FIG. 24

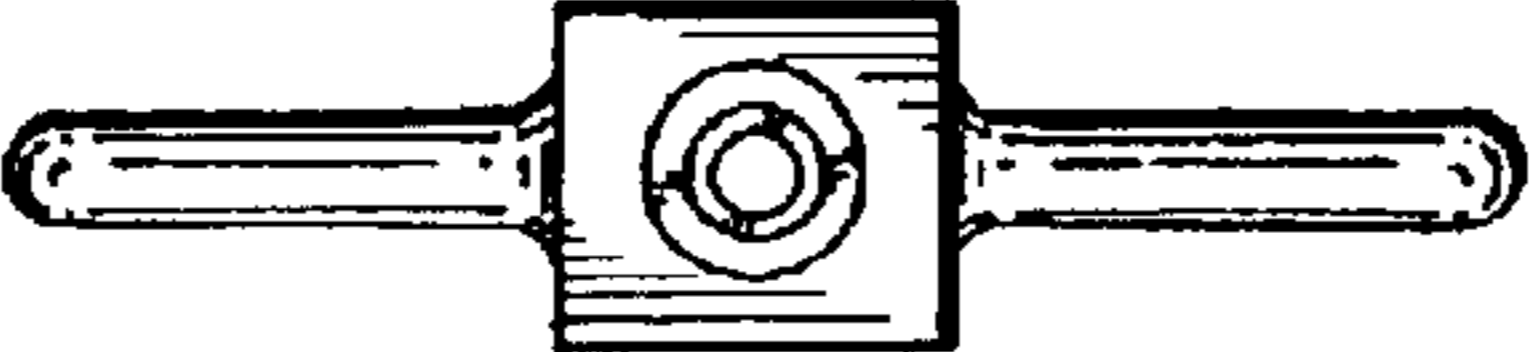


FIG. 25



FIG. 27



FIG. 26

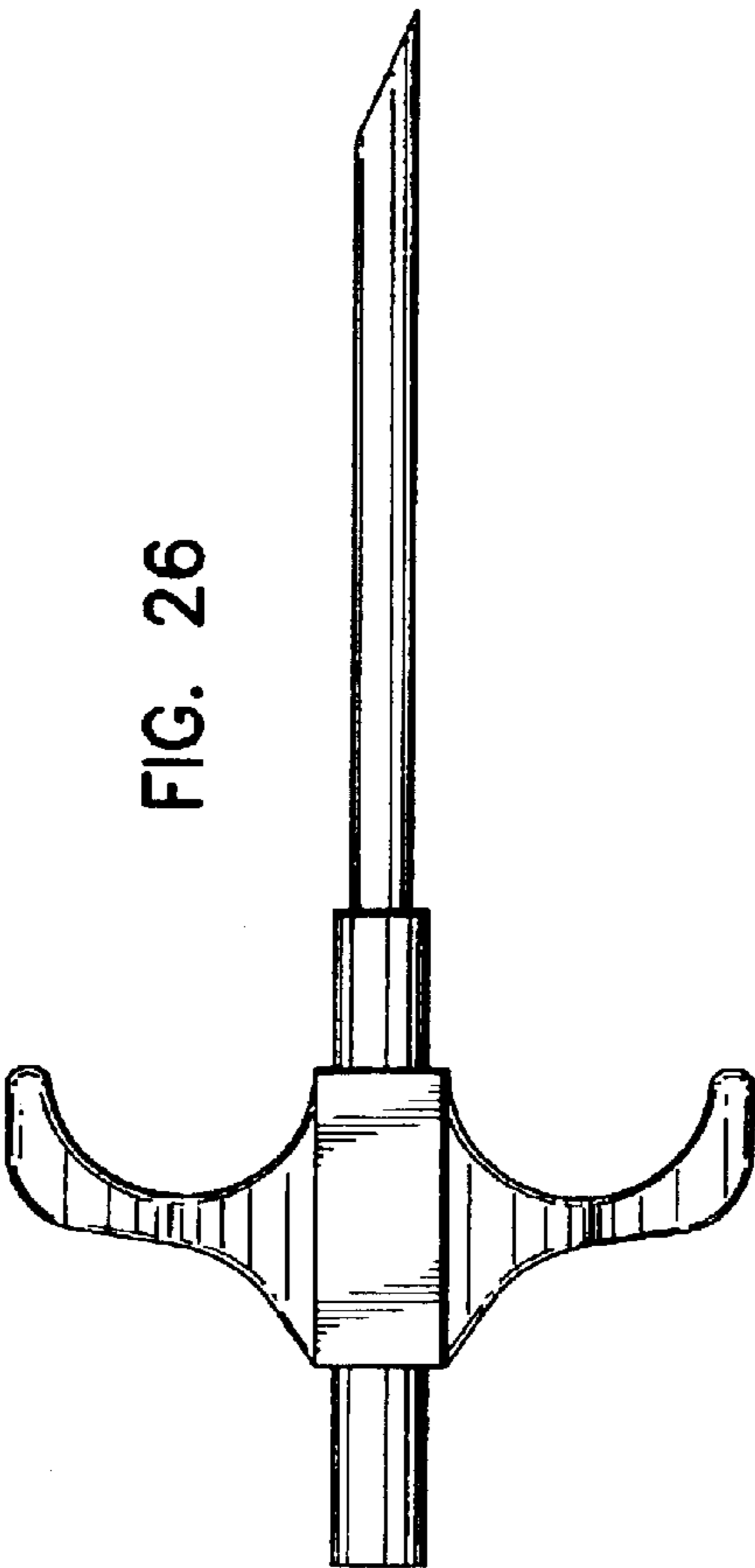


FIG. 29

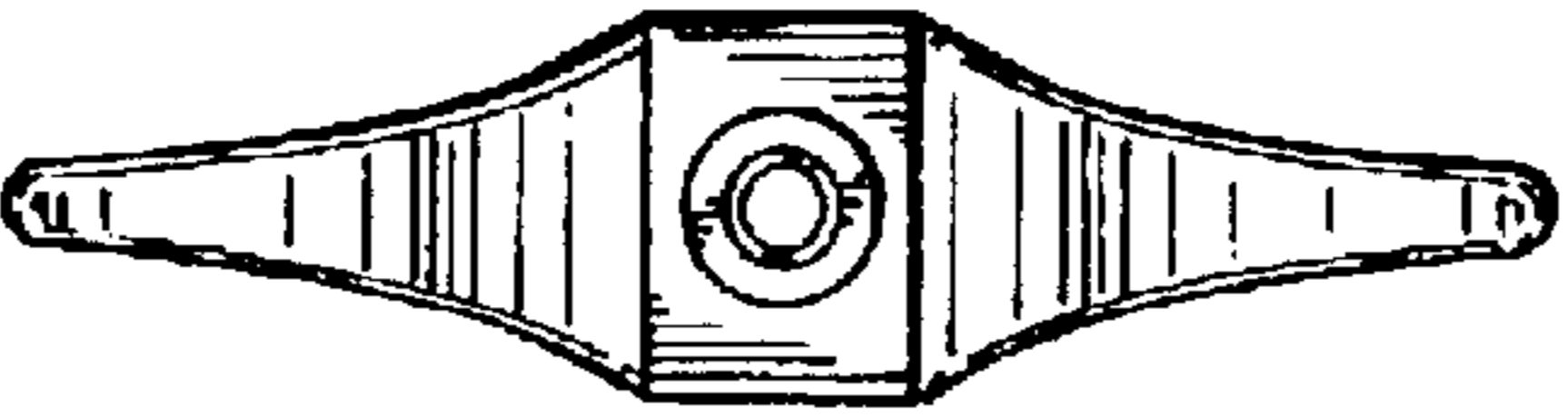


FIG. 30

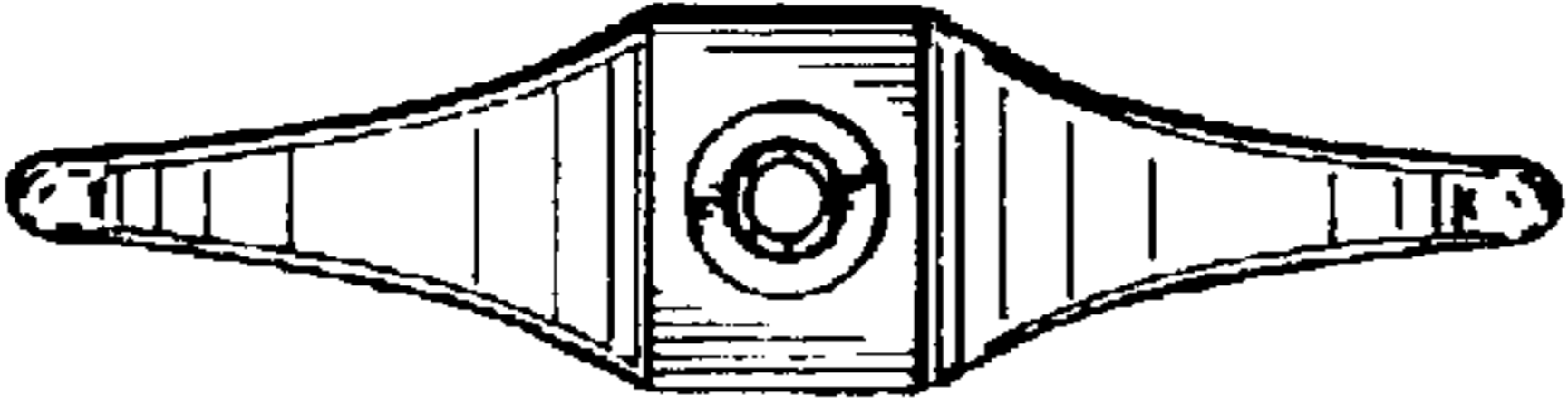


FIG. 28

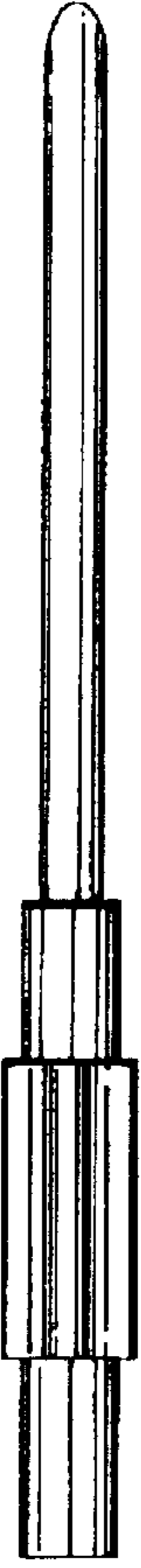


FIG. 32

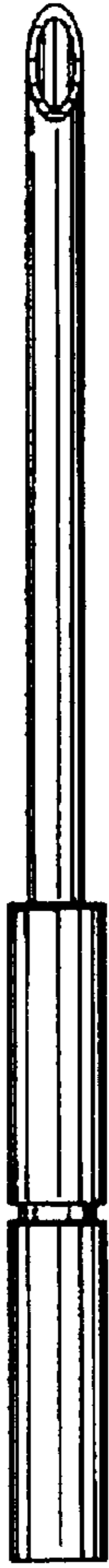


FIG. 31



FIG. 33

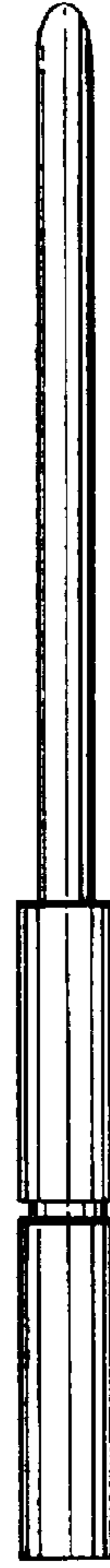


FIG. 34



FIG. 35

FIG. 37



FIG. 36



FIG. 38



FIG. 39



FIG. 40



FIG. 42



FIG. 41



FIG. 43



FIG. 44



FIG. 45

FIG. 46



FIG. 47



FIG. 48