

US00D492165S1

(12) **United States Design Patent**
Cheung

(10) **Patent No.:** **US D492,165 S**
(45) **Date of Patent:** **** Jun. 29, 2004**

(54) **WHISK**
(75) **Inventor:** **Paul P. W. Cheung**, Hong Kong (CN)
(73) **Assignee:** **Maxpat Trading & Marketing (Far East) Limited**, Hong Kong (HK)
(**) **Term:** **14 Years**

1,140,341 A * 5/1915 Johnston et al. 416/227 R
2,906,510 A * 9/1959 Harris 416/72
5,725,305 A * 3/1998 Delbor 366/129
D406,216 S * 3/1999 Renner D7/690
D413,493 S * 9/1999 Thurlow D7/690
6,234,662 B1 * 5/2001 Blake 366/129

* cited by examiner

(21) **Appl. No.:** **29/183,723**
(22) **Filed:** **Jun. 17, 2003**

Primary Examiner—Terry A. Wallace
(74) *Attorney, Agent, or Firm*—Ostrolenik, Faber, Gerb & Soffen, LLP

(30) **Foreign Application Priority Data**

Dec. 17, 2002 (GB) 3009516

(57) **CLAIM**

The ornamental design for whisk, as shown.

(51) **LOC (7) Cl.** **07-02**
(52) **U.S. Cl.** **D7/690**
(58) **Field of Search** D7/690, 682–696,
D7/376, 379, 380, 393, 395; 15/141.1,
141.2; 366/129, 130, 342–344; 416/69,
70 R, 71, 72, 227 R

DESCRIPTION

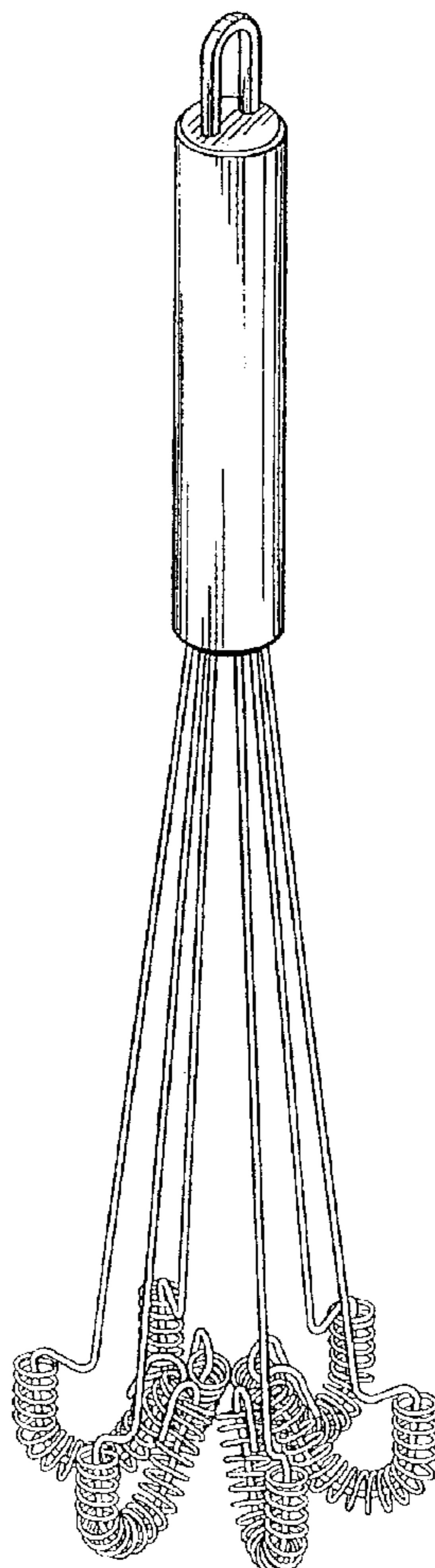
FIG. 1 is a Perspective View
FIG. 2 is a First Side View
FIG. 3 is a View at 90° to First Side View
FIG. 4 is a View of Opposite Side to First Side View
FIG. 5 is a View at 270° to First Side View
FIG. 6 is a Top View; and,
FIG. 7 is a View of Underside.

(56) **References Cited**

U.S. PATENT DOCUMENTS

671,516 A * 4/1901 Hegner 416/72

1 Claim, 4 Drawing Sheets



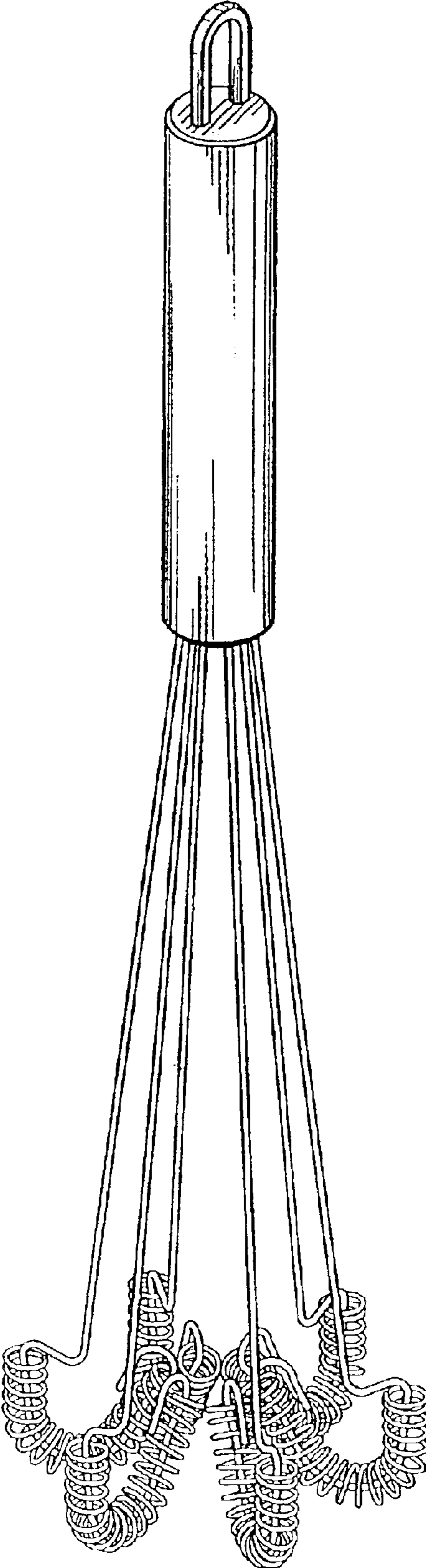


FIG. 1

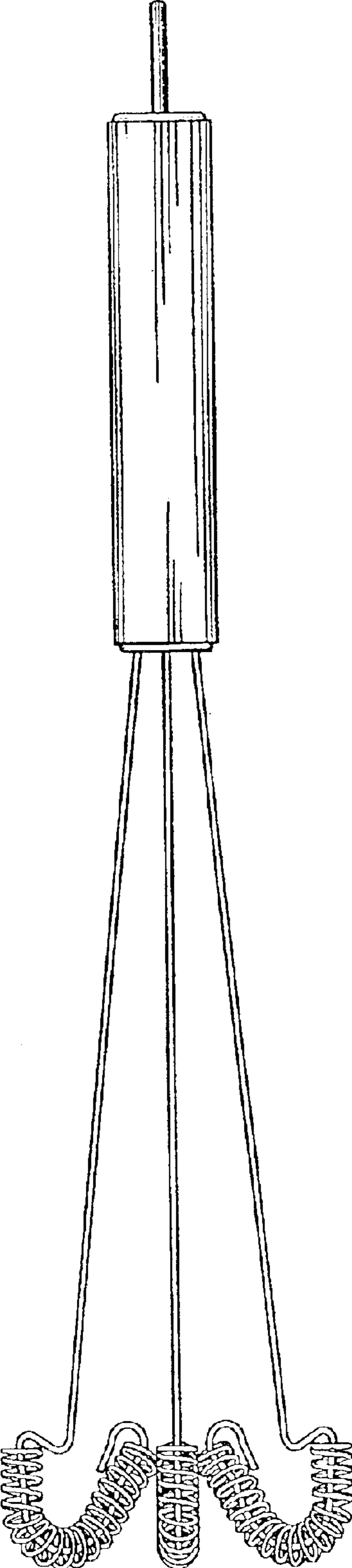


FIG. 2

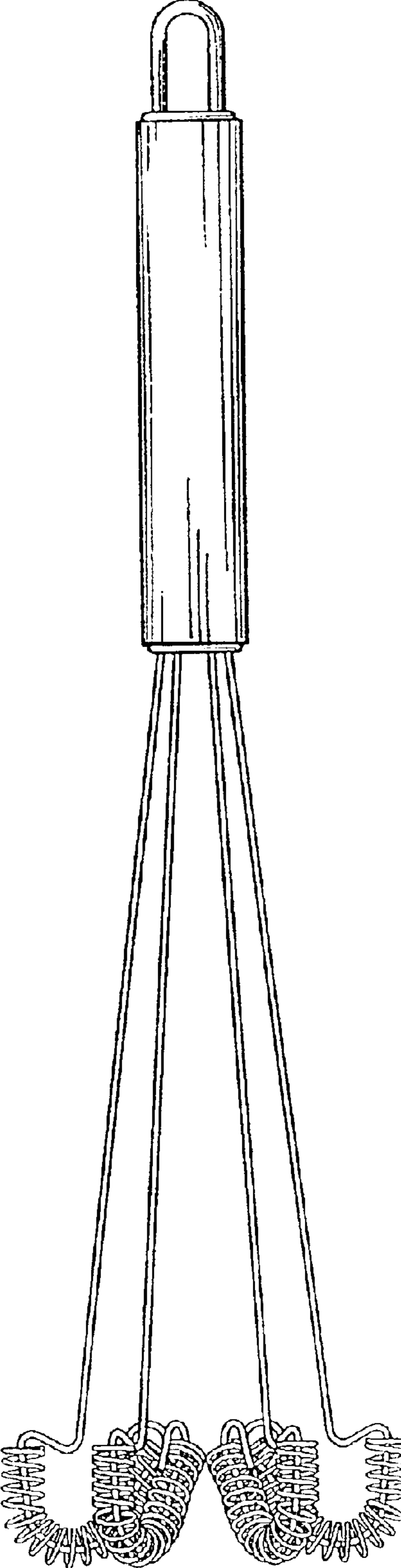


FIG. 3

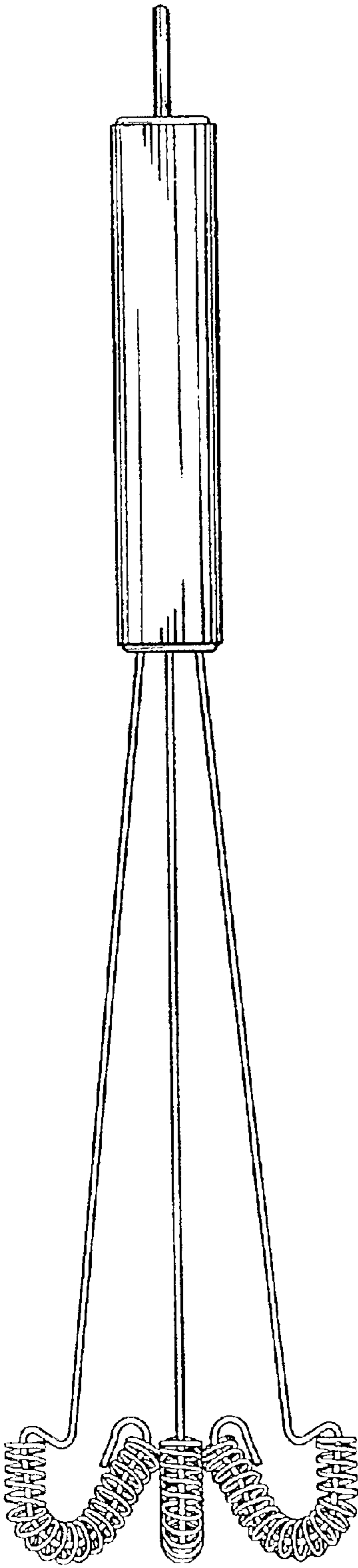


FIG. 4

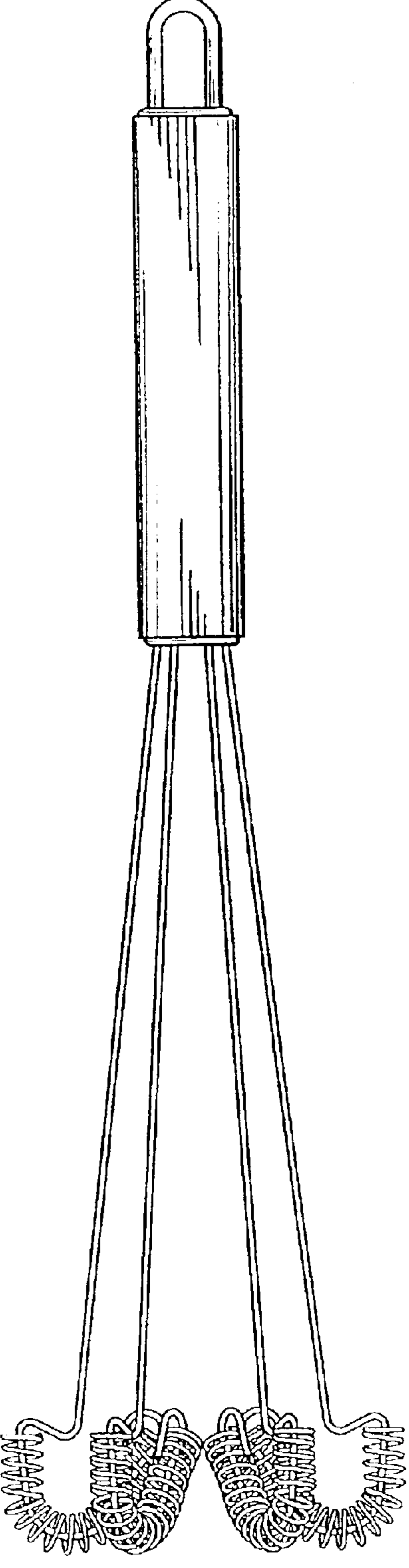


FIG. 5

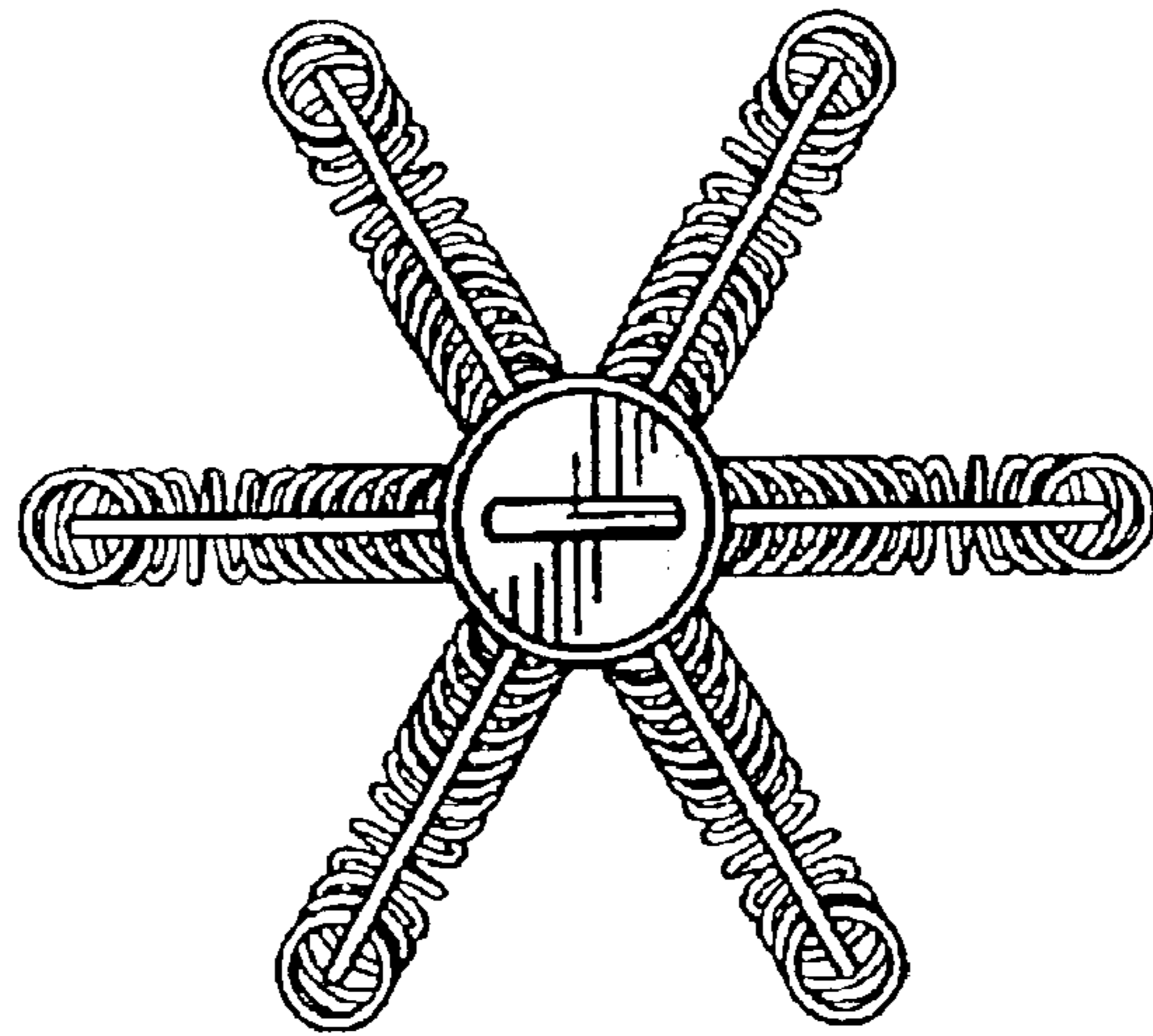


FIG. 6

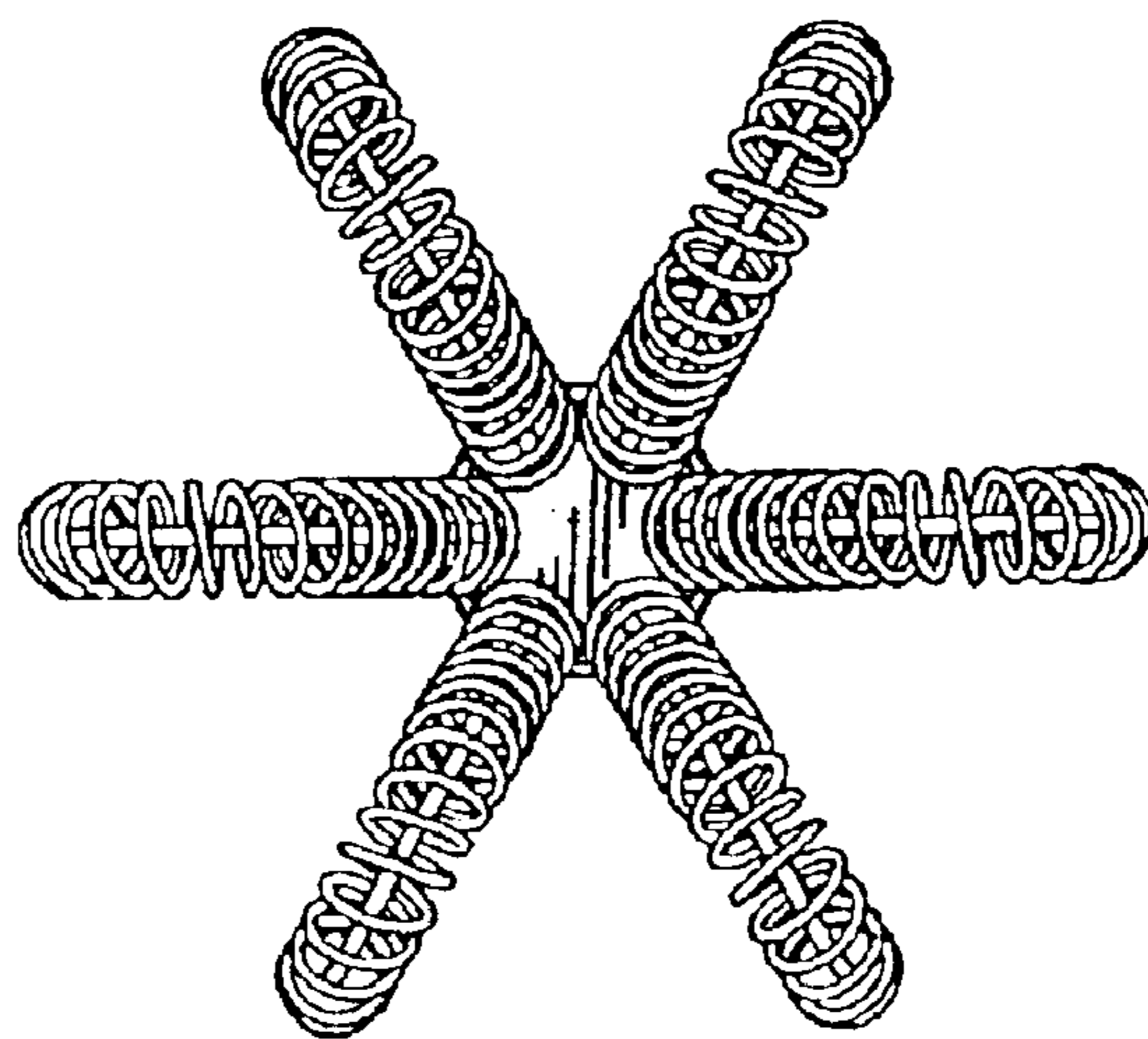


FIG. 7