



US00D492160S1

(12) **United States Design Patent** (10) **Patent No.:** **US D492,160 S**  
**Lanman et al.** (45) **Date of Patent:** **\*\* Jun. 29, 2004**

(54) **FRONT PANEL FOR A COOLER DESIGN**

(75) Inventors: **John Lanman**, Naperville, IL (US);  
**Korie Trevino**, Green Oaks, IL (US);  
**Philip M. Holsinger**, Chicago, IL (US);  
**Chad Davis**, Chicago, IL (US);  
**Antonio J. Belton**, Hazel Crest, IL (US)

(73) Assignee: **Thermos L.L.C.**, Rolling Meadows, IL (US)

(\*\*) Term: **14 Years**

(21) Appl. No.: **29/170,371**

(22) Filed: **Nov. 5, 2002**

(51) **LOC (7) Cl.** ..... **07-01**

(52) **U.S. Cl.** ..... **D7/605**

(58) **Field of Search** ..... D7/605-608; D3/273,  
D3/276, 283-287, 289; 190/110; 220/592.2,  
592.24, 592.25, 915.1, 915.2; 383/97, 110,  
113

(56) **References Cited**

**U.S. PATENT DOCUMENTS**

D340,840 S	*	11/1993	Melk	.....	D7/607
D412,269 S	*	7/1999	Wyant	.....	D7/709
D465,134 S	*	11/2002	Joss	.....	D7/607

\* cited by examiner

*Primary Examiner*—Terry A. Wallace

(74) *Attorney, Agent, or Firm*—Wood, Phillips, Katz, Clark & Mortimer

(57) **CLAIM**

The ornamental design of a front panel for a cooler design, as shown and described.

**DESCRIPTION**

FIG. 1 is a perspective view taken from the upper left corner of our front panel design for a cooler of small capacity;

FIG. 2 is a perspective view taken from the lower right of our front panel design as embodied in a cooler of small capacity;

FIG. 3 is a front elevation of our front panel design embodied in a cooler of small capacity;

FIG. 4 is a right side elevation taken from the right of our front panel design embodied in a cooler of small capacity;

FIG. 5 is an elevational taken from the left of our front panel for a cooler design embodied in a cooler of small capacity;

FIG. 6 is a plan view of our front panel design embodied in a cooler of a small capacity;

FIG. 7 is a bottom view of our front panel design embodied in a cooler of small capacity;

FIG. 8 is a perspective view taken from the upper left corner of our front panel design for a cooler of a medium small capacity;

FIG. 9 is a perspective view taken from the lower right of our front panel design as embodied in a cooler of a medium small capacity;

FIG. 10 is a front elevation of our front panel design embodied in a cooler of a medium small capacity;

FIG. 11 is a right side elevation taken from the right of our front panel design embodied in a cooler of medium small capacity;

FIG. 12 is an elevational taken from the left of our front panel for a cooler design embodied in a cooler of medium small capacity;

FIG. 13 is a plan view of our front panel design embodied in a cooler of a medium small capacity;

FIG. 14 is a bottom view of our front panel design embodied in a cooler of a medium small capacity;

FIG. 15 is a perspective view taken from the upper left corner of our front panel design for a cooler of a medium large capacity;

FIG. 16 is a perspective view taken from the lower right of our front panel design as embodied in a cooler of medium large capacity;

FIG. 17 is a front elevation of our front panel design embodied in a cooler of medium large capacity;

FIG. 18 is a right side elevation taken from the right of our front panel design embodied in a cooler of medium large capacity;

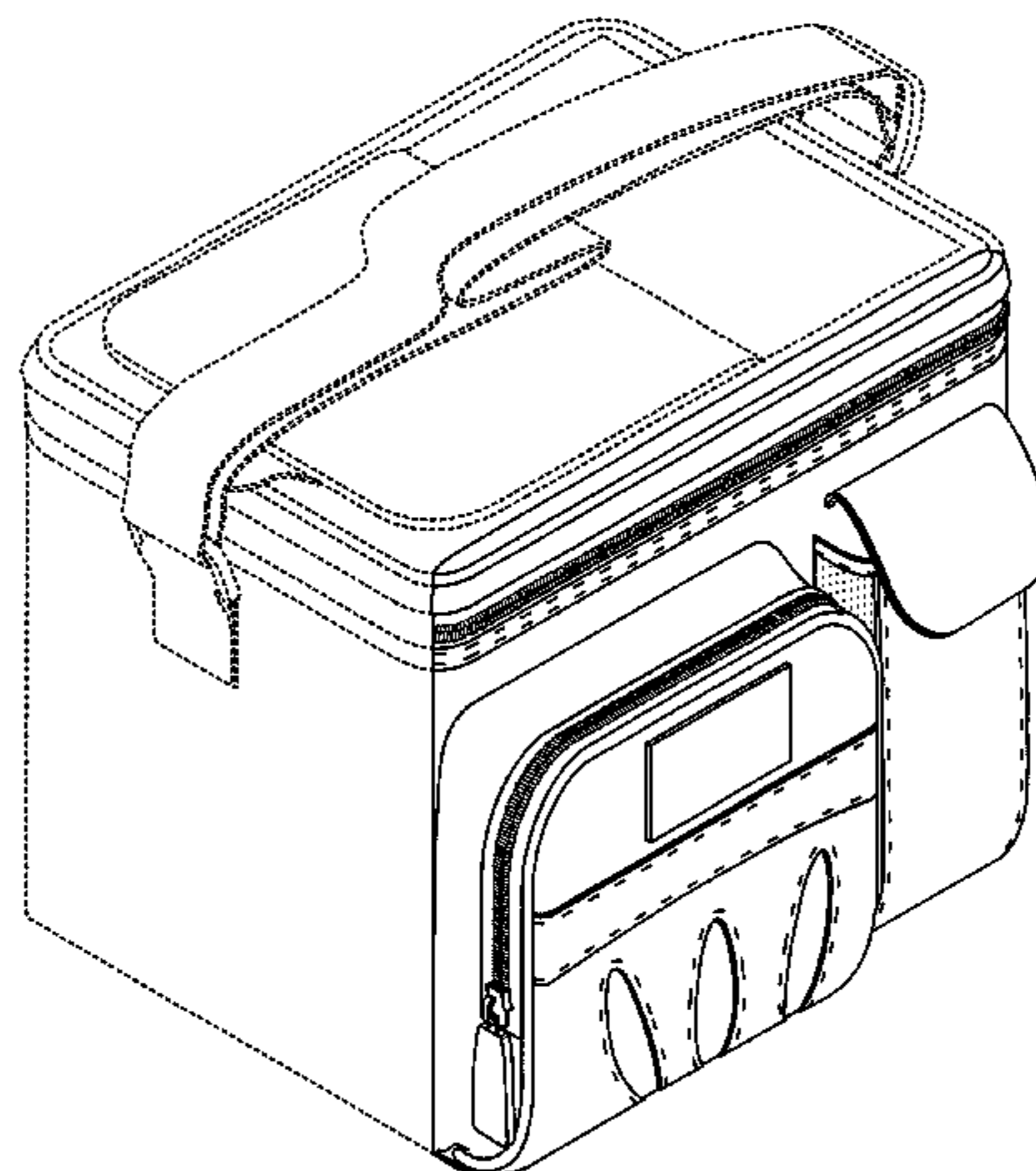


FIG. **19** is an elevational taken from the left of our front panel for a cooler design embodied in a cooler of medium large capacity;

FIG. **20** is a plan view of our front panel design embodied in a cooler of medium large capacity;

FIG. **21** is a bottom view of our front panel design embodied in a cooler of medium large capacity;

FIG. **22** is a perspective view taken from the upper left corner of our front panel design for a cooler of large capacity;

FIG. **23** is a perspective view taken from the lower right of our front panel design as embodied in a cooler of large capacity;

FIG. **24** is a front elevation of our front panel design embodied in a cooler of large capacity;

FIG. **25** is a right side elevation taken from the right of our front panel design embodied in a cooler of large capacity;

FIG. **26** is an elevational taken from the left of our front panel for a cooler design embodied in a cooler of large capacity;

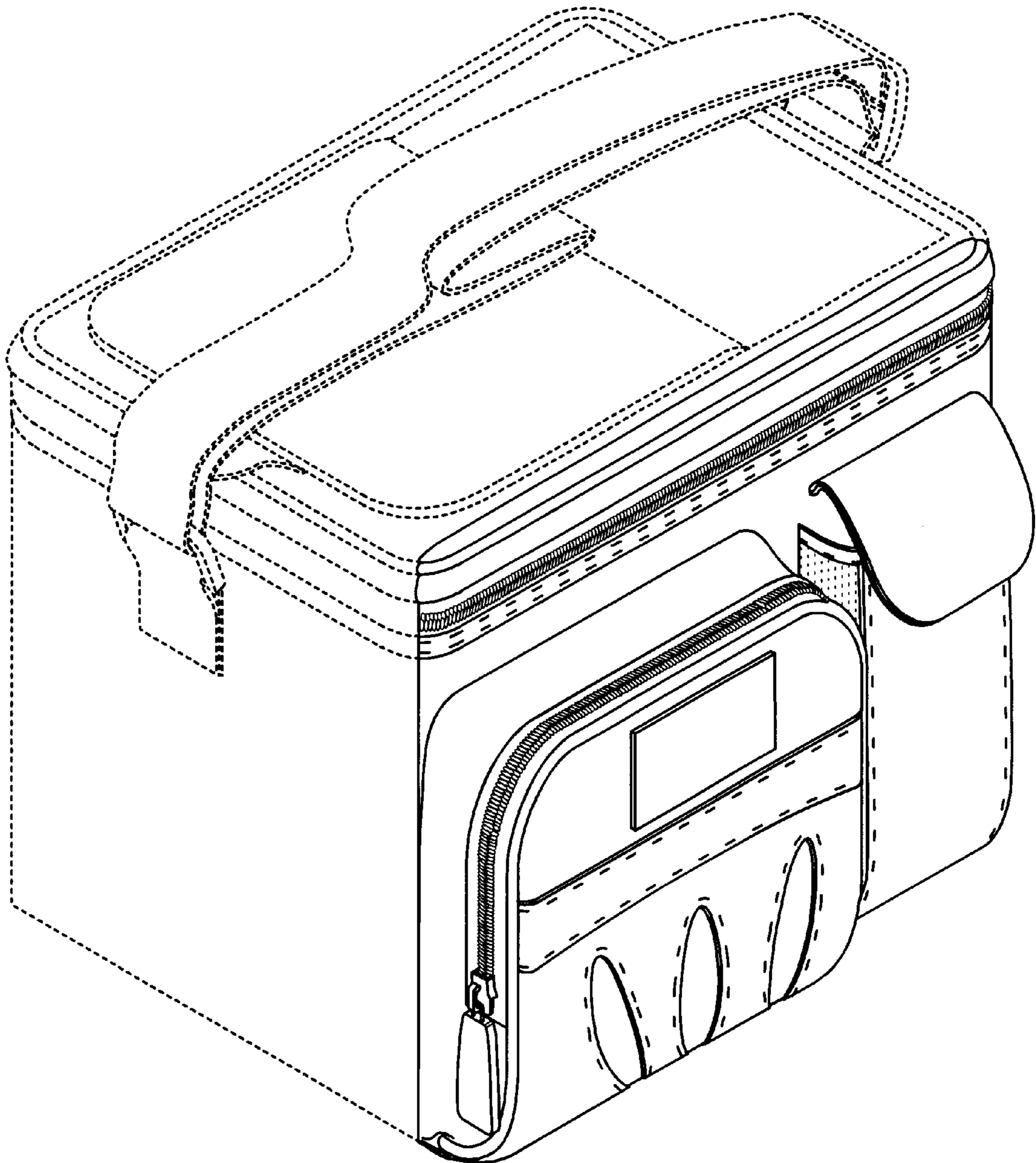
FIG. **27** is a plan view of our front panel design embodied in a cooler of large capacity; and,

FIG. **28** is a bottom view of our front panel design embodied in a cooler of large capacity.

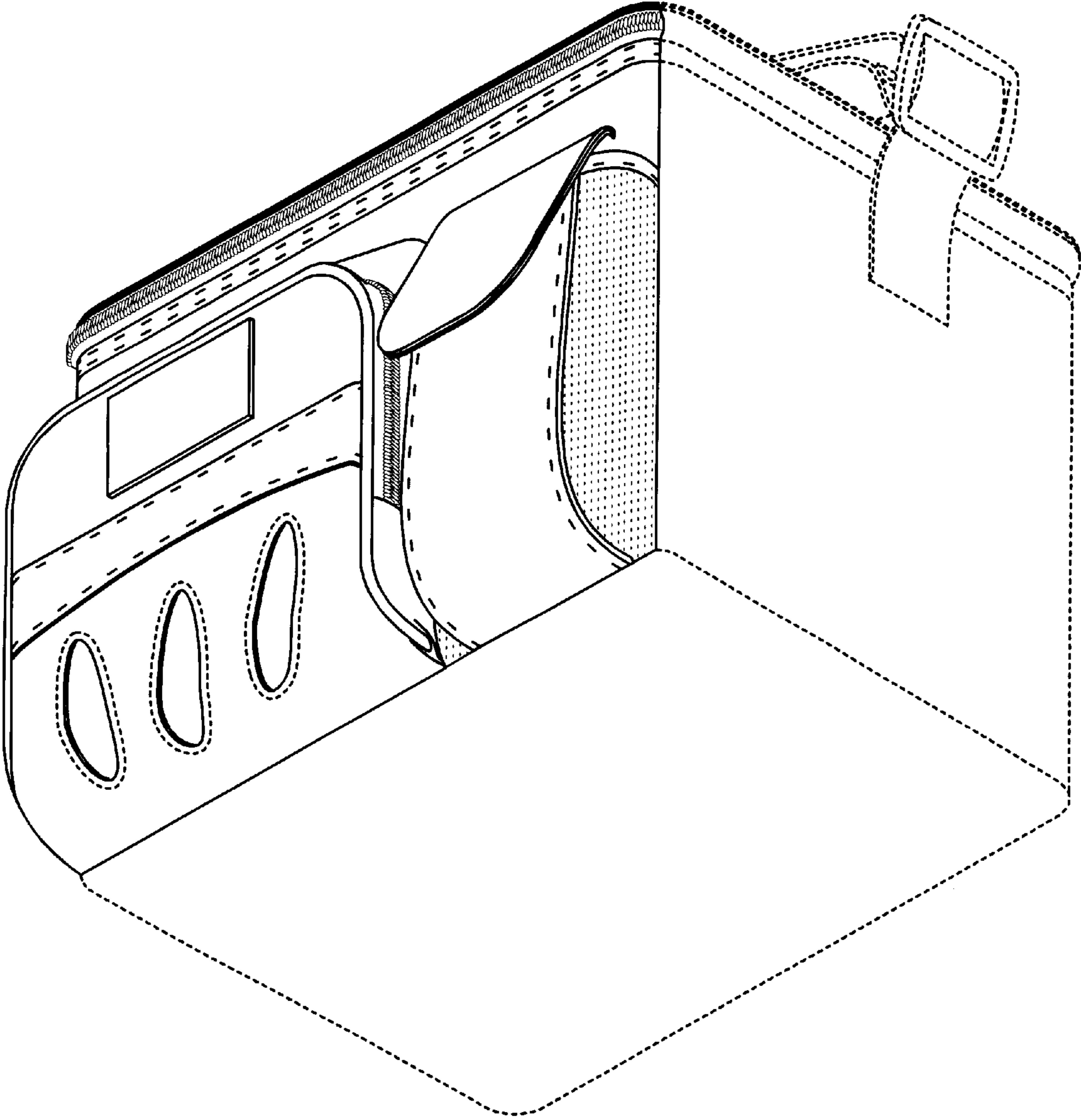
The broken lines are for illustrative purposes only and form no part of the claimed design.

**1 Claim, 20 Drawing Sheets**

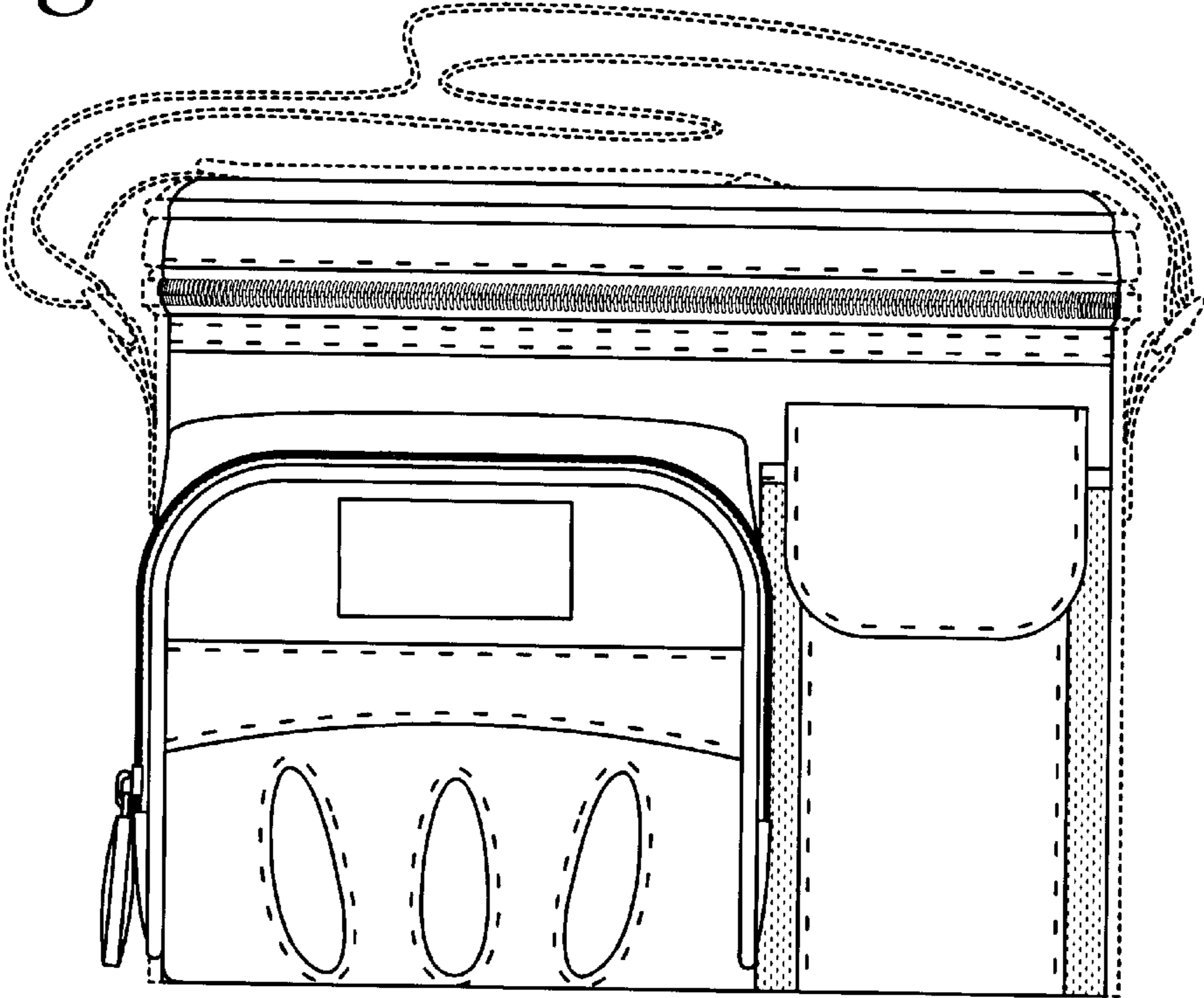
*Fig. 1*



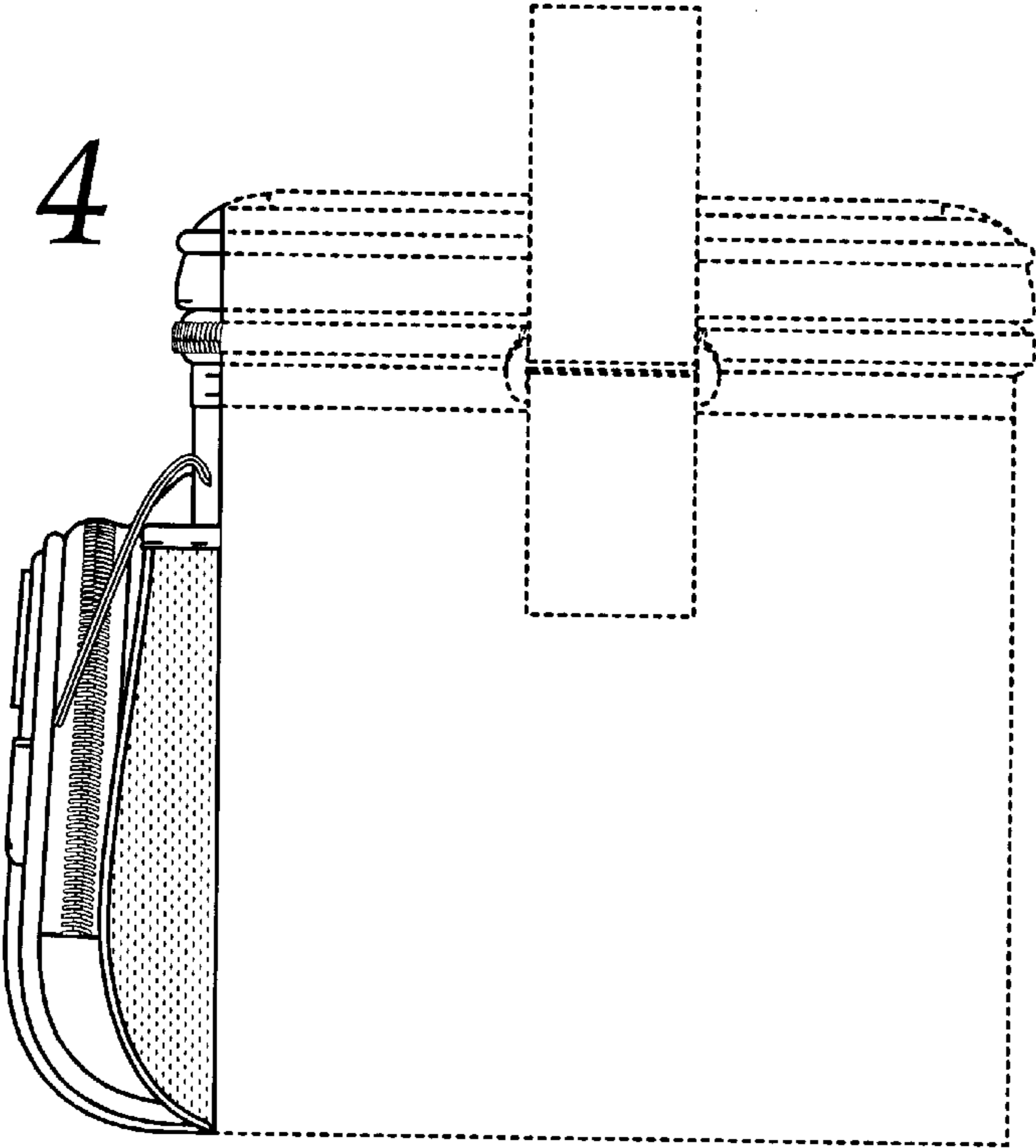
*Fig. 2*



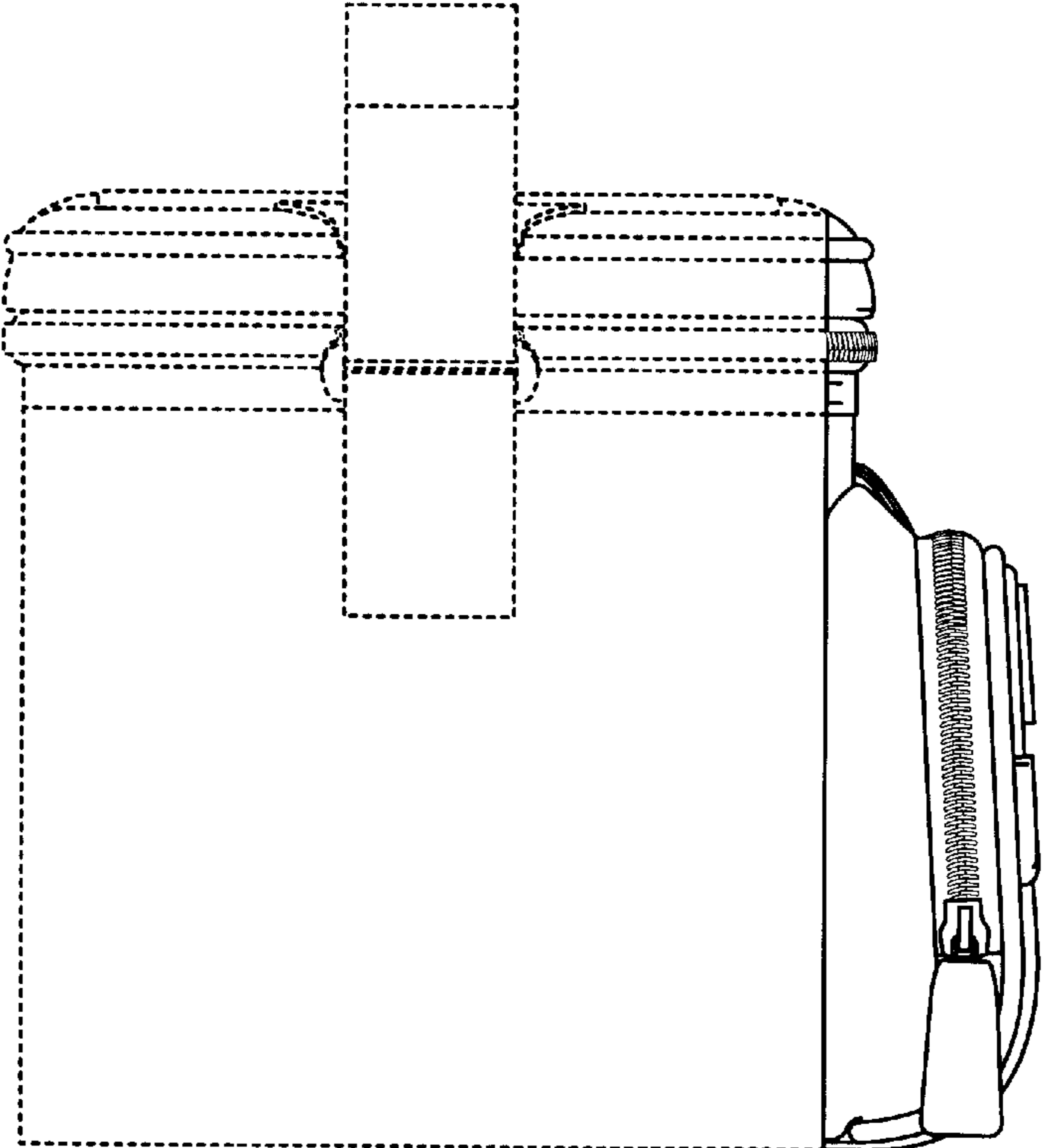
*Fig. 3*



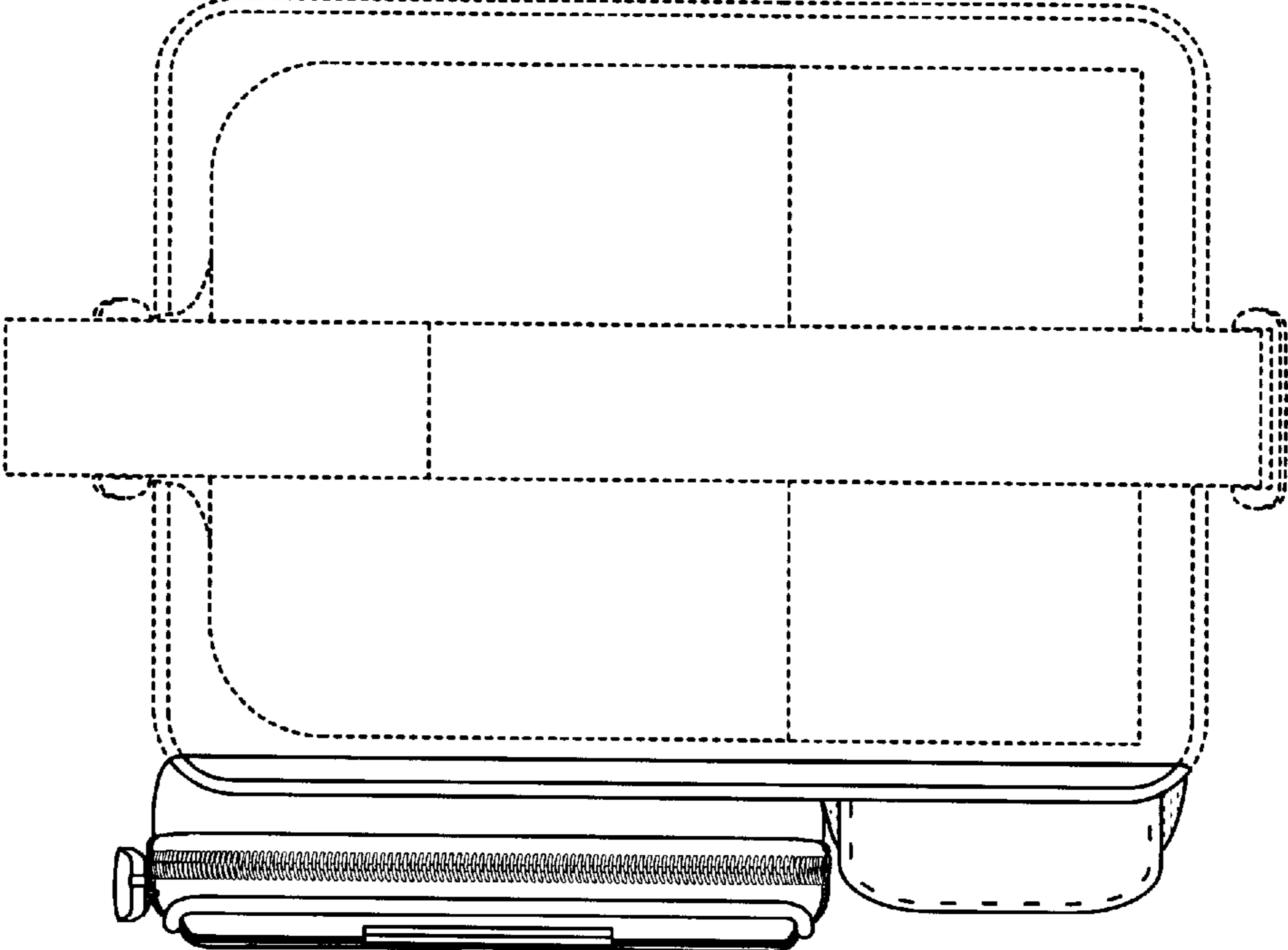
*Fig. 4*



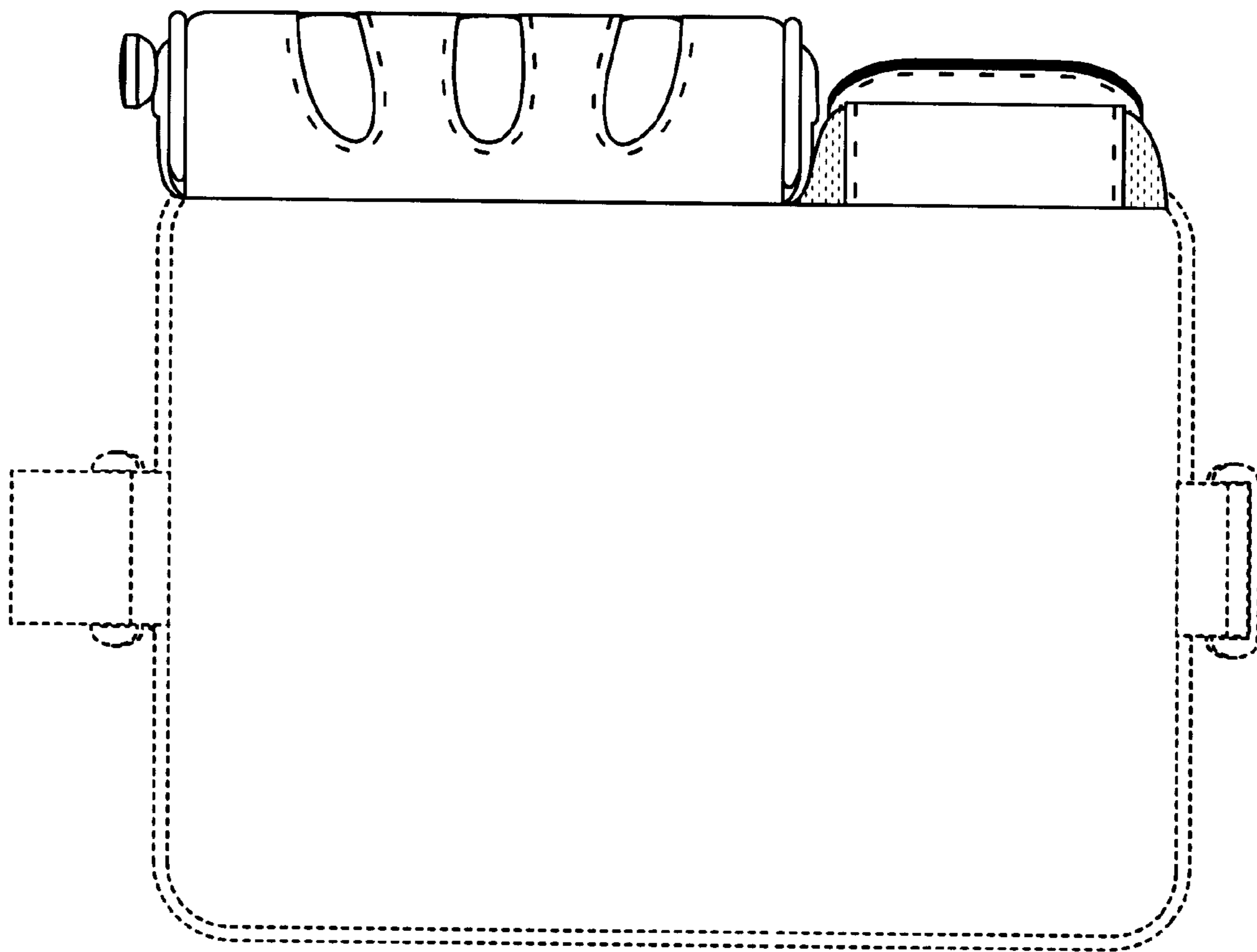
*Fig. 5*



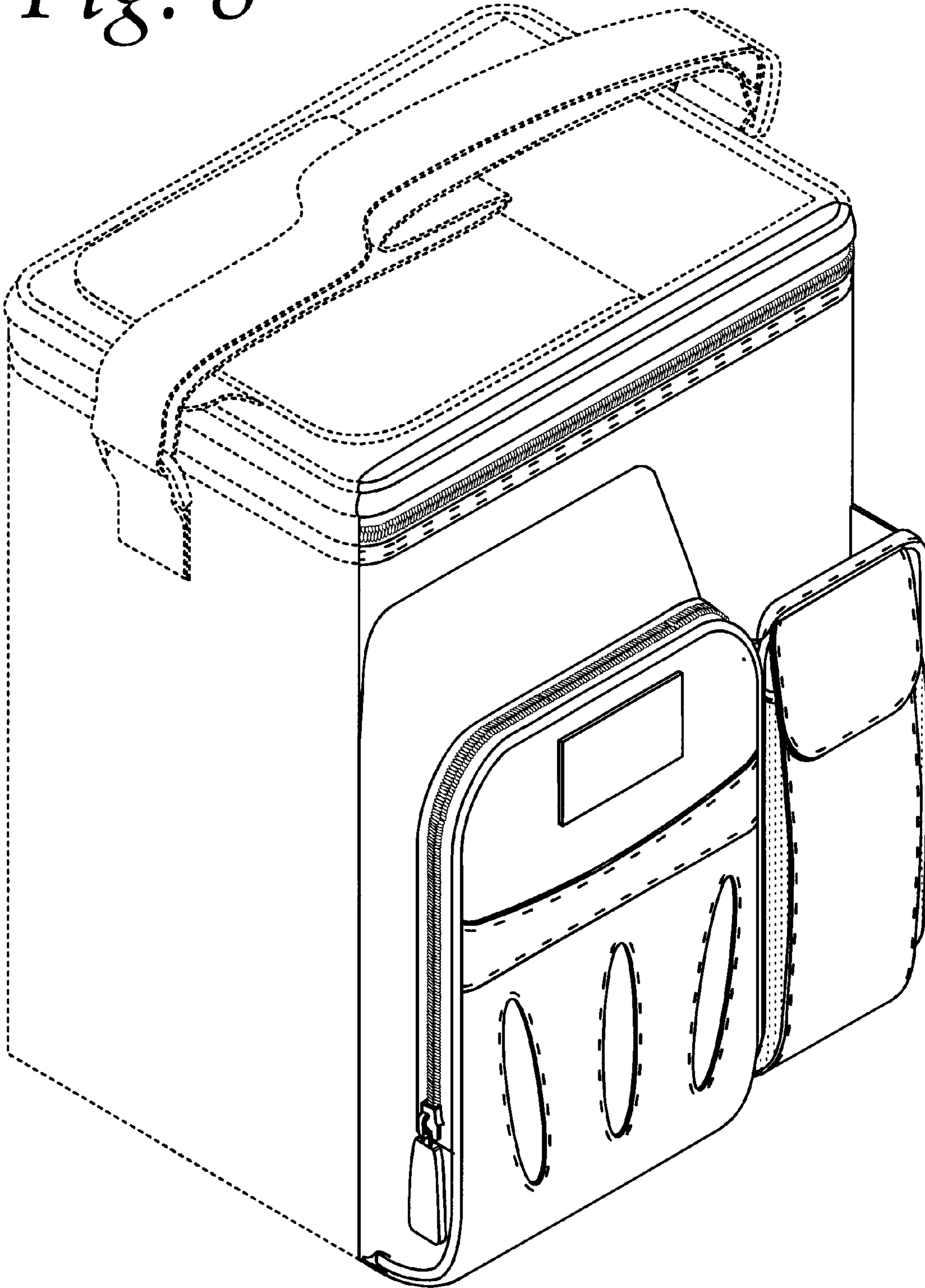
*Fig. 6*



*Fig. 7*

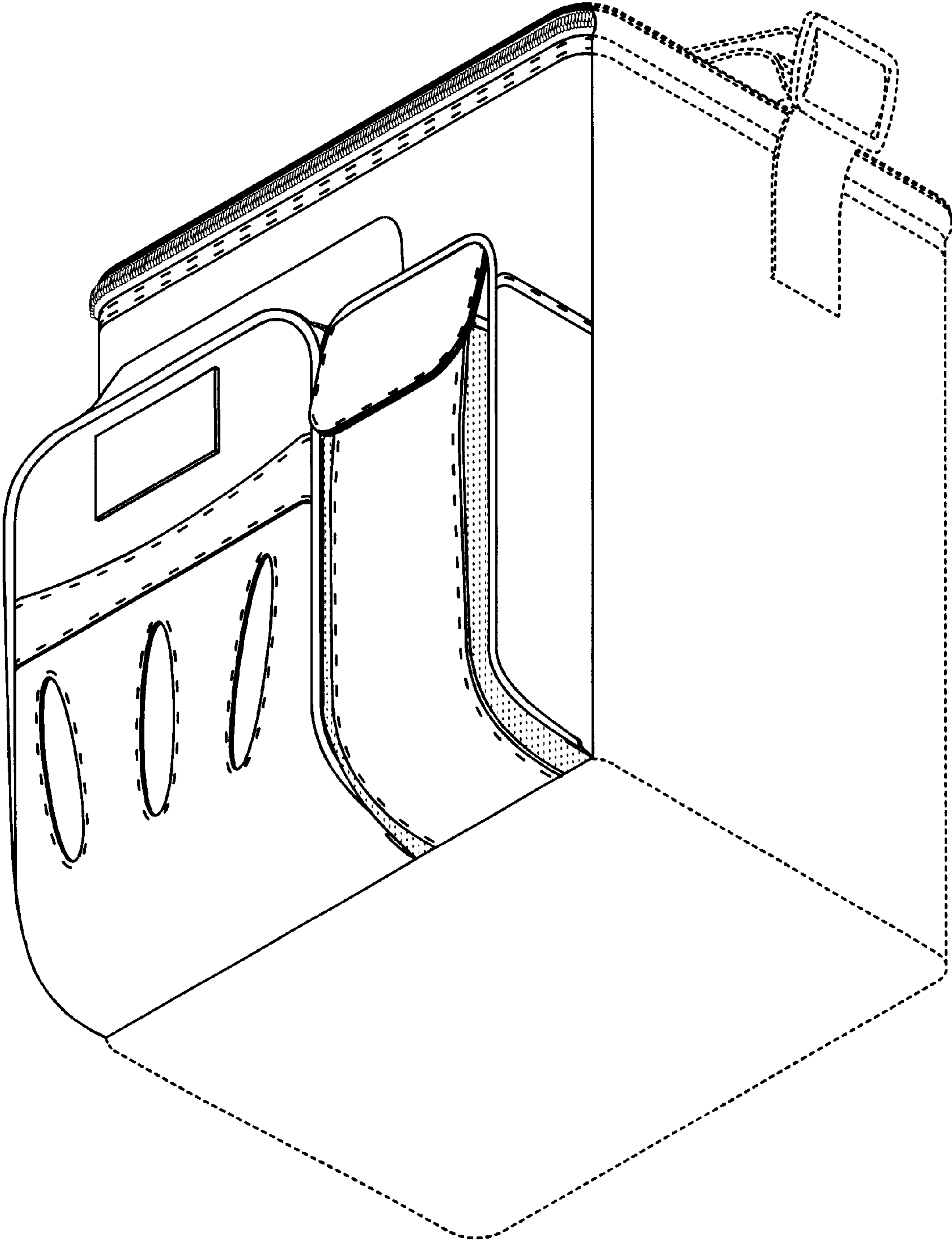


*Fig. 8*

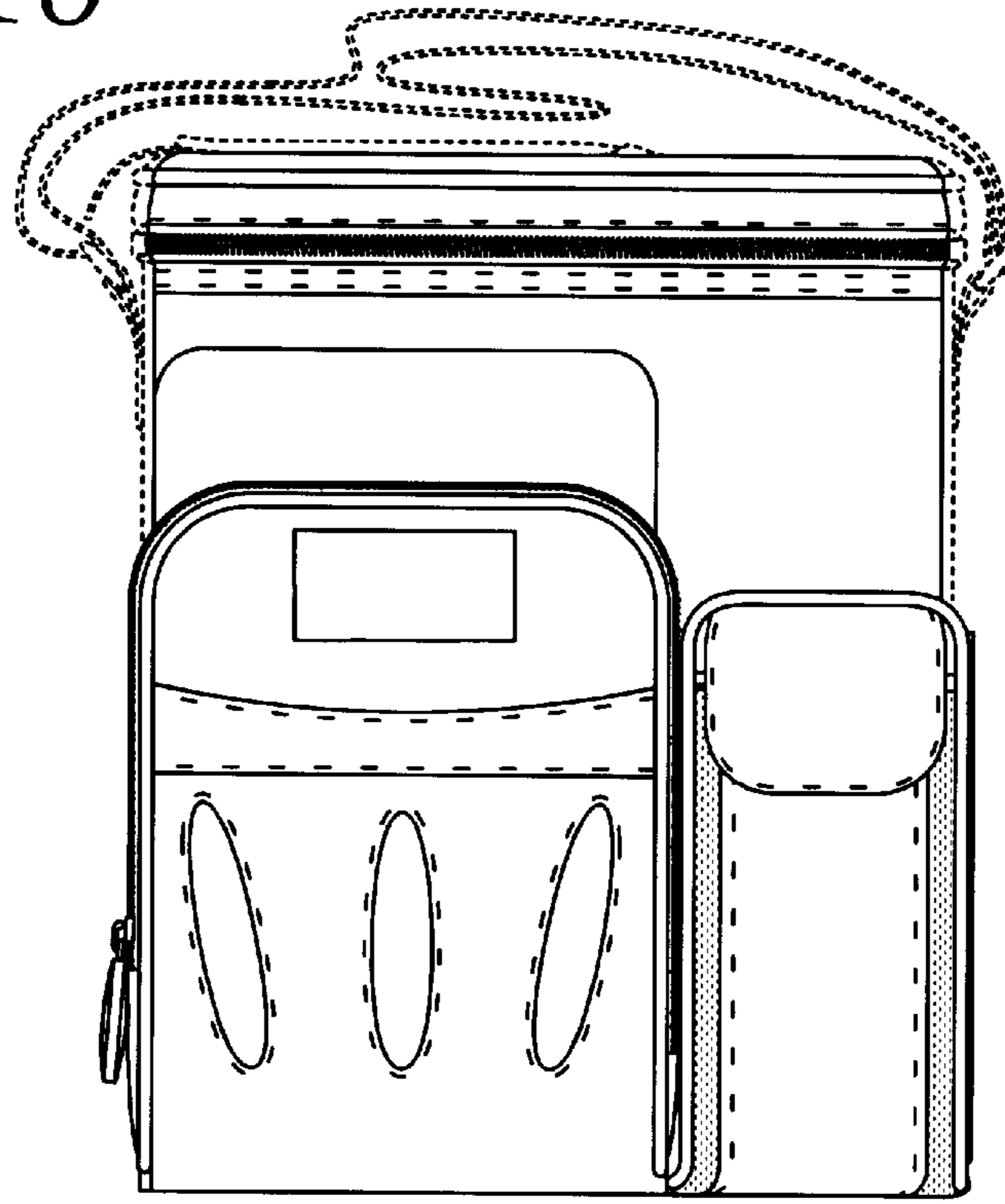




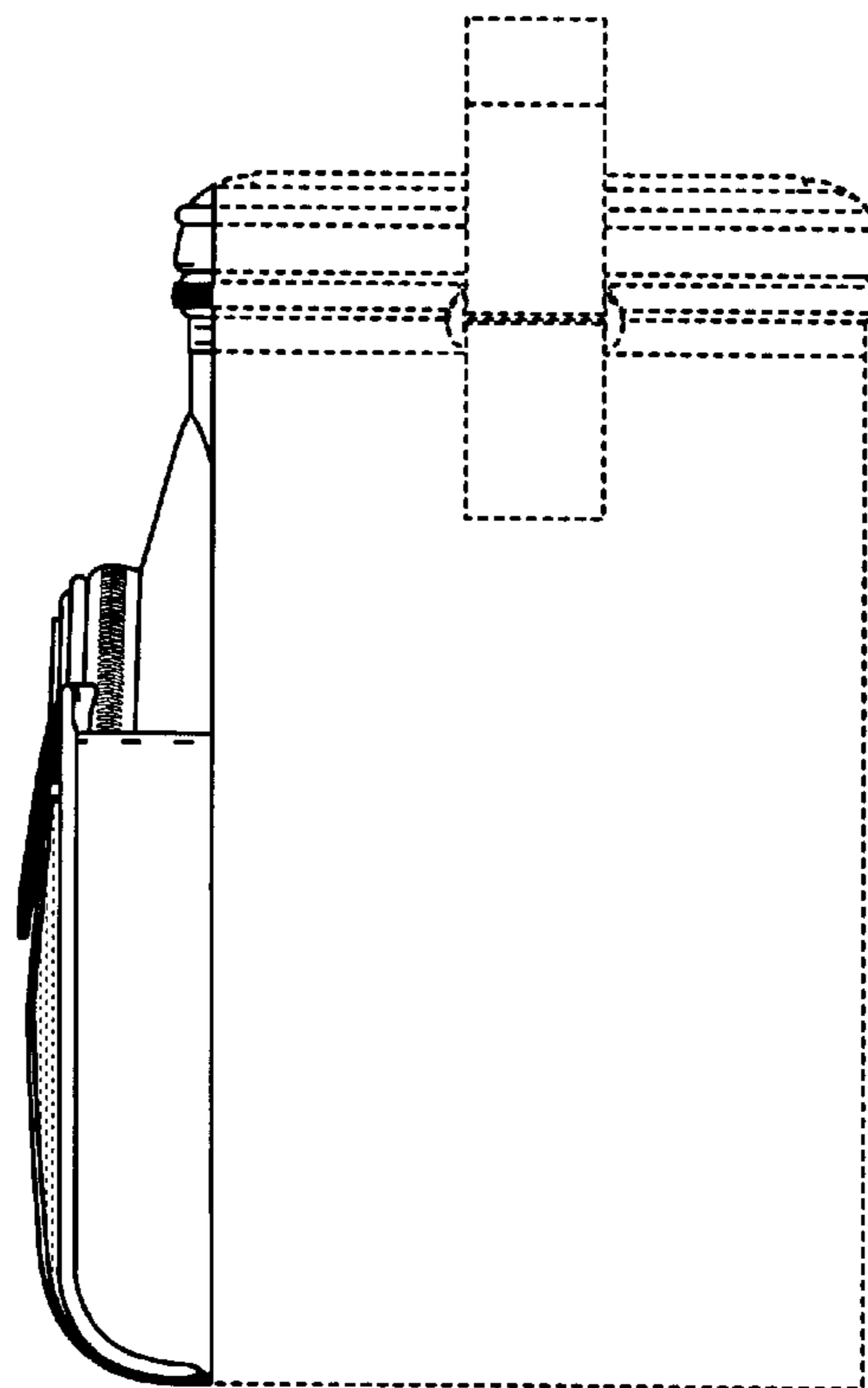
*Fig. 9*



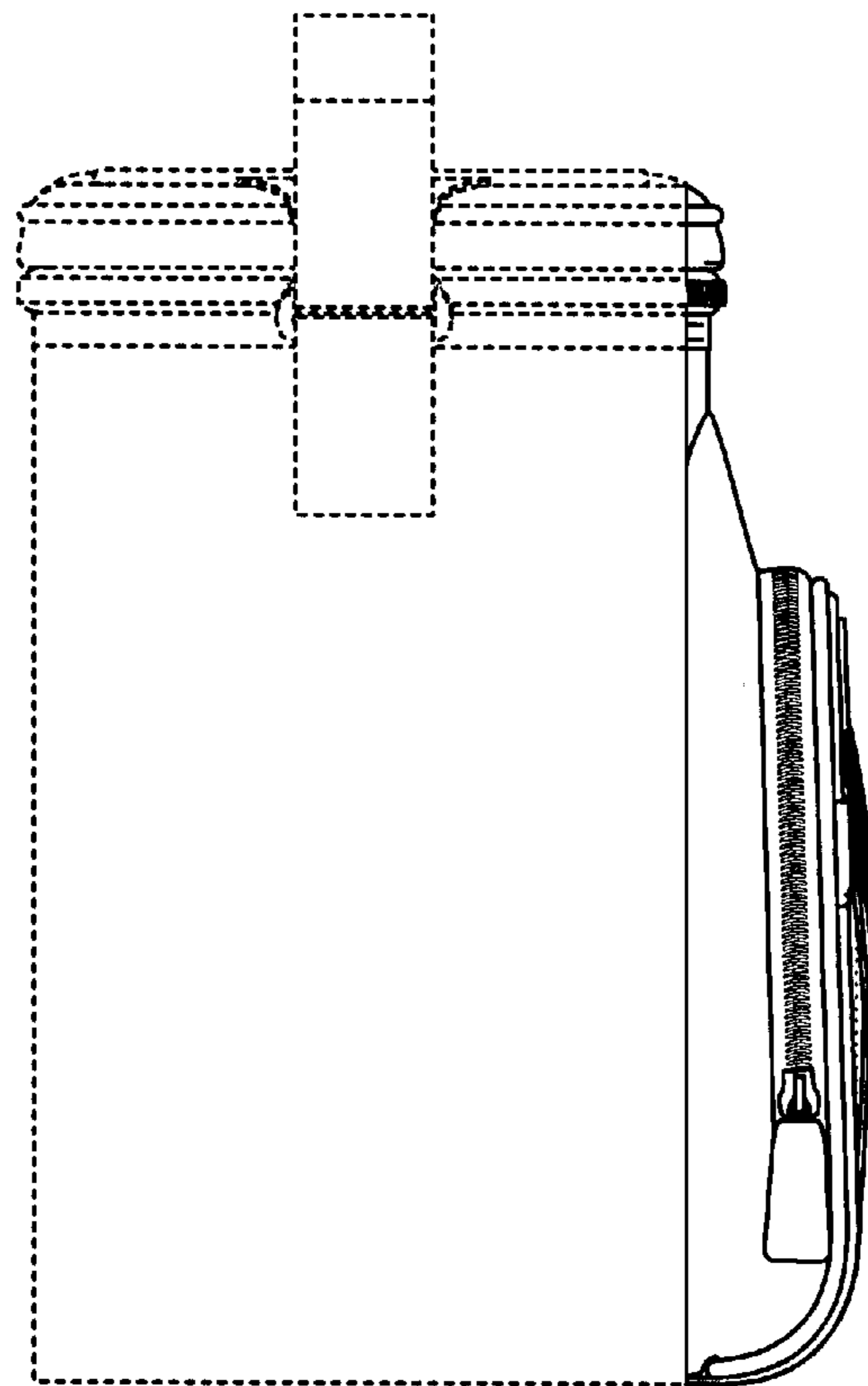
*Fig. 10*



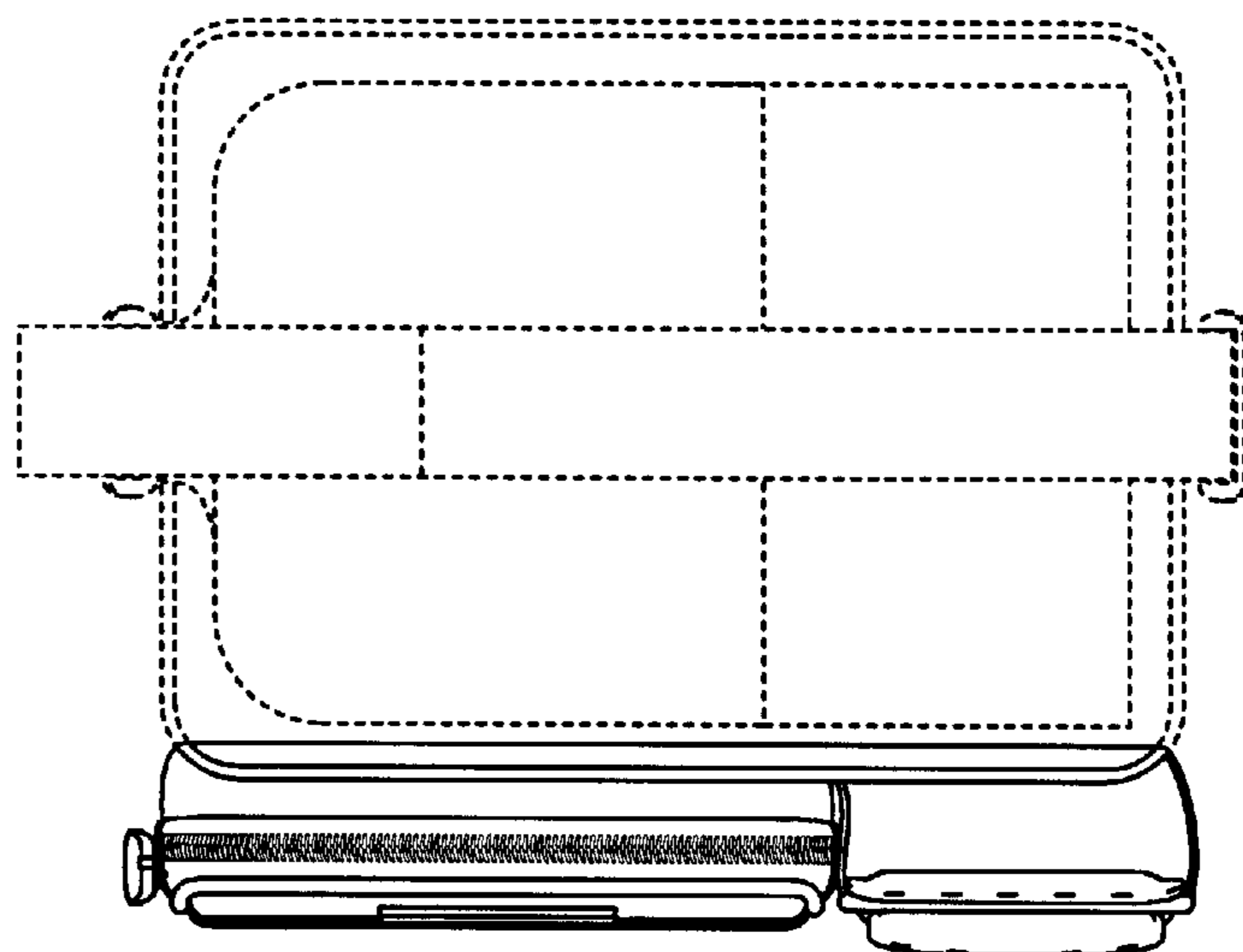
*Fig. 11*



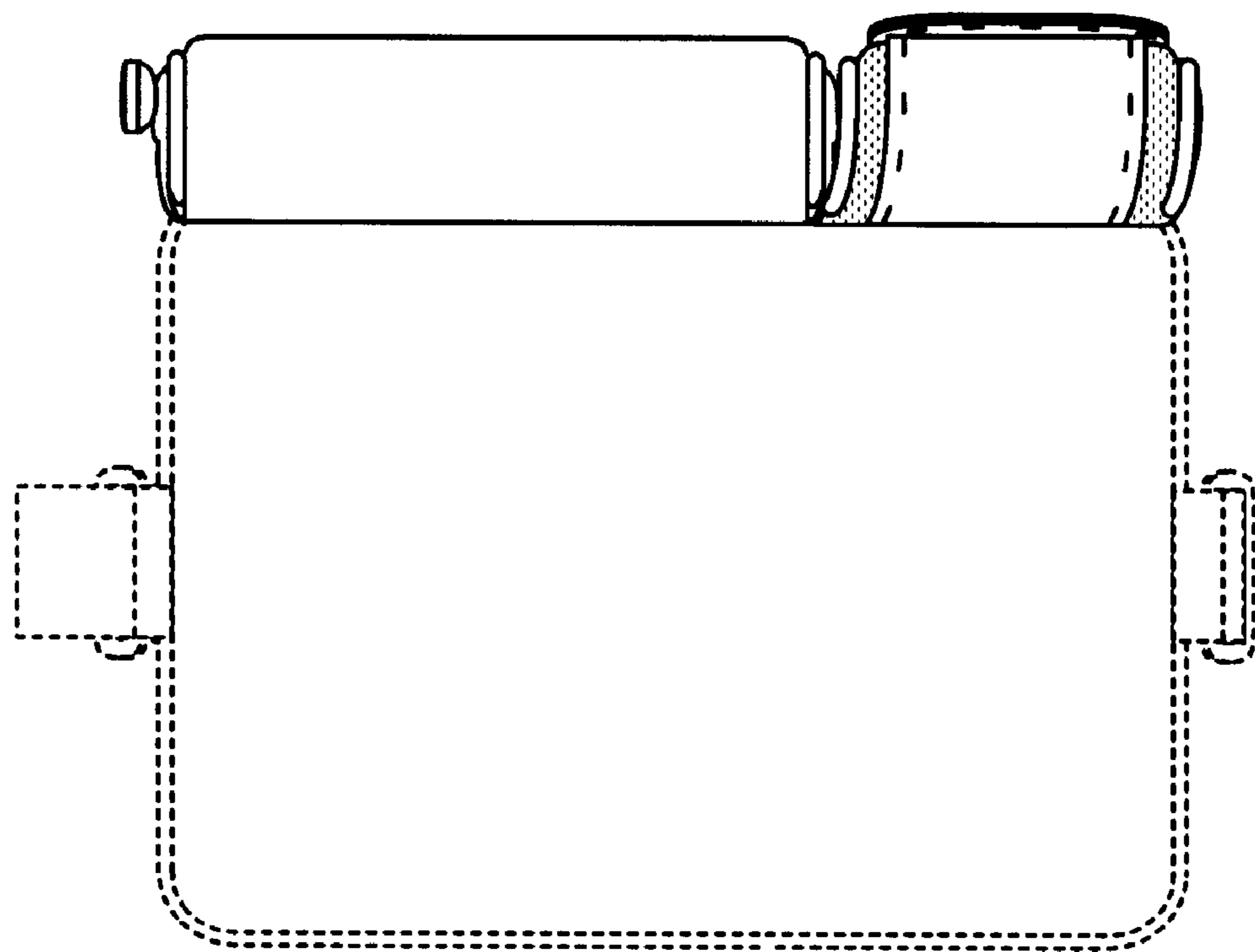
*Fig. 12*



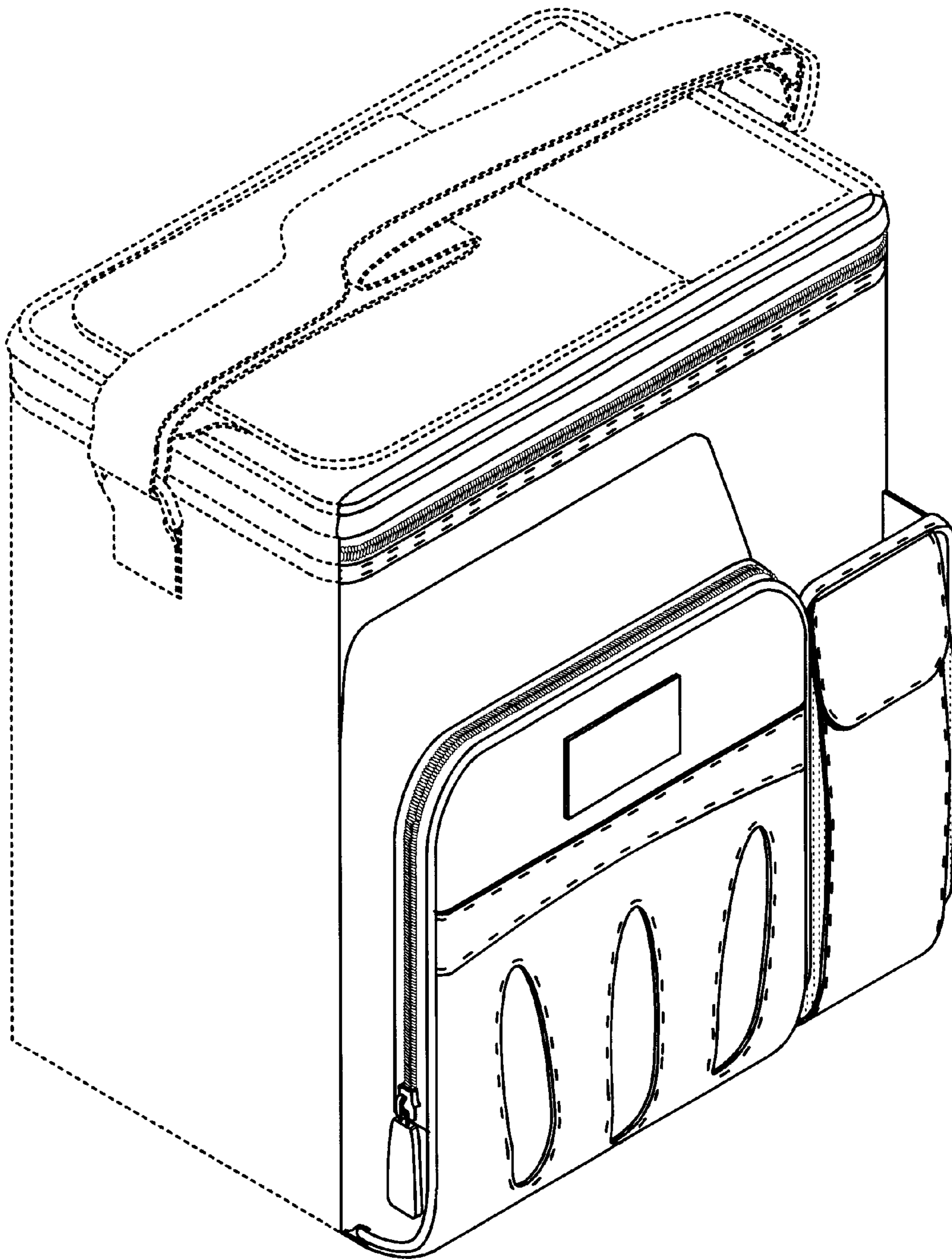
*Fig. 13*



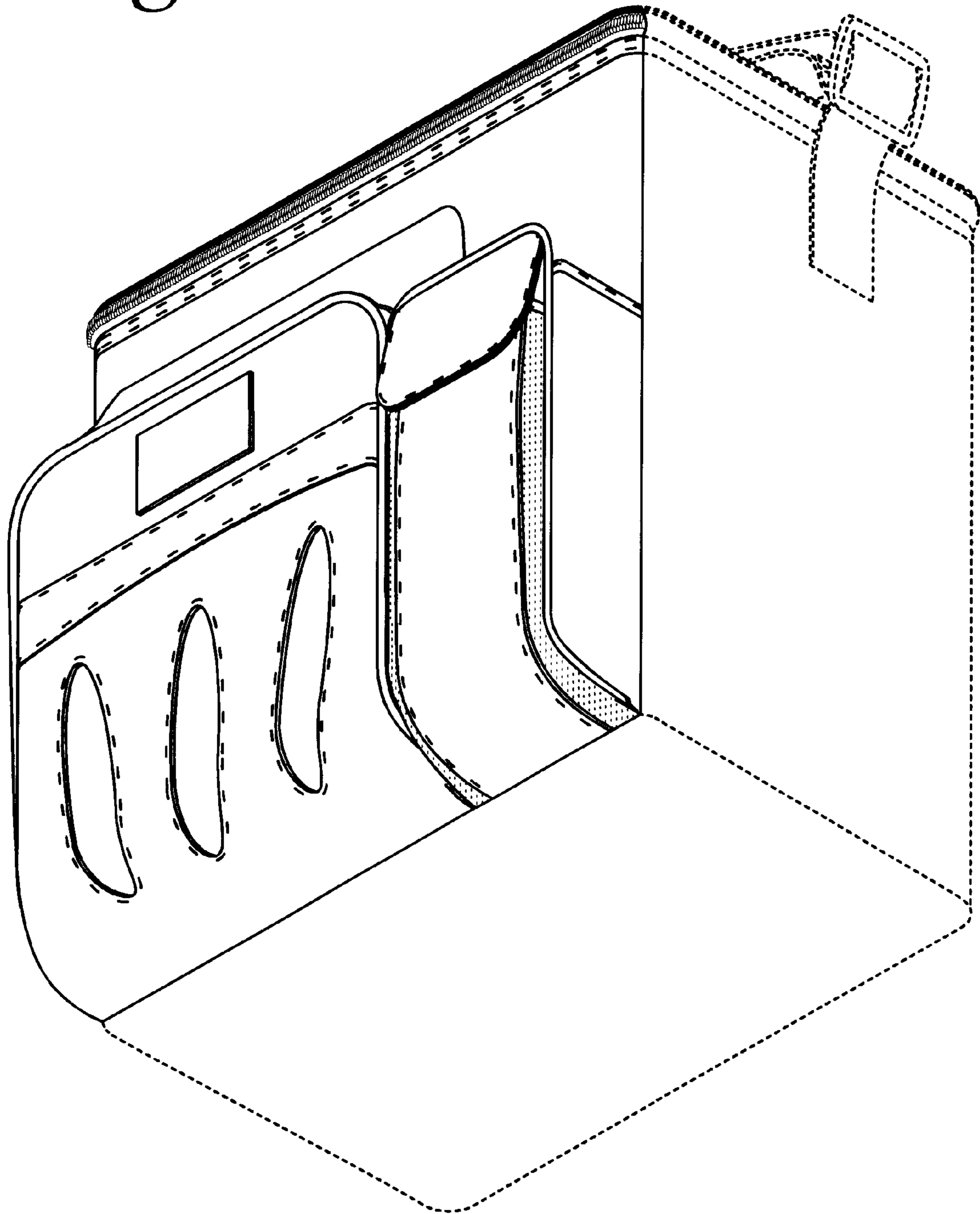
*Fig. 14*



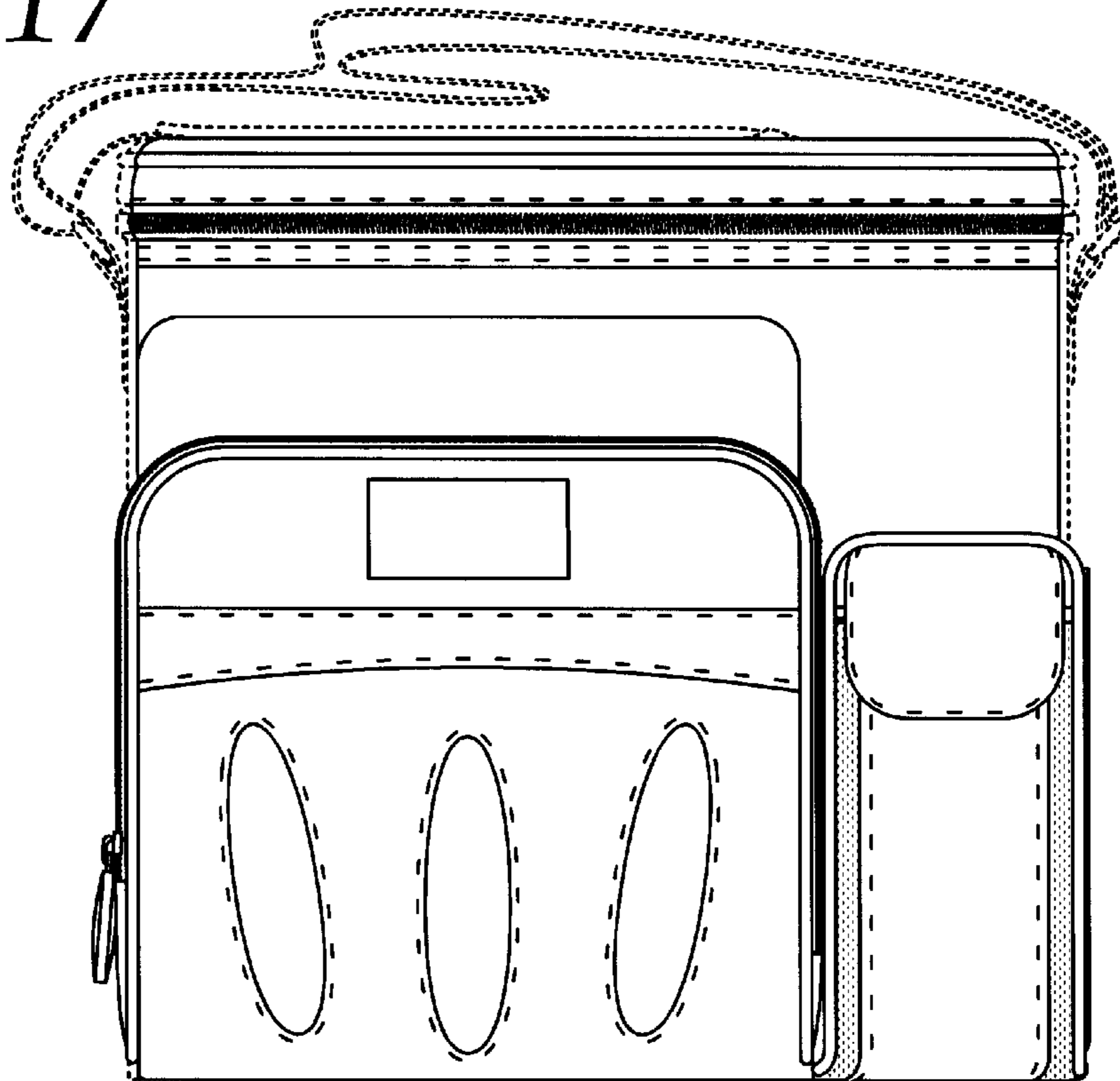
*Fig. 15*



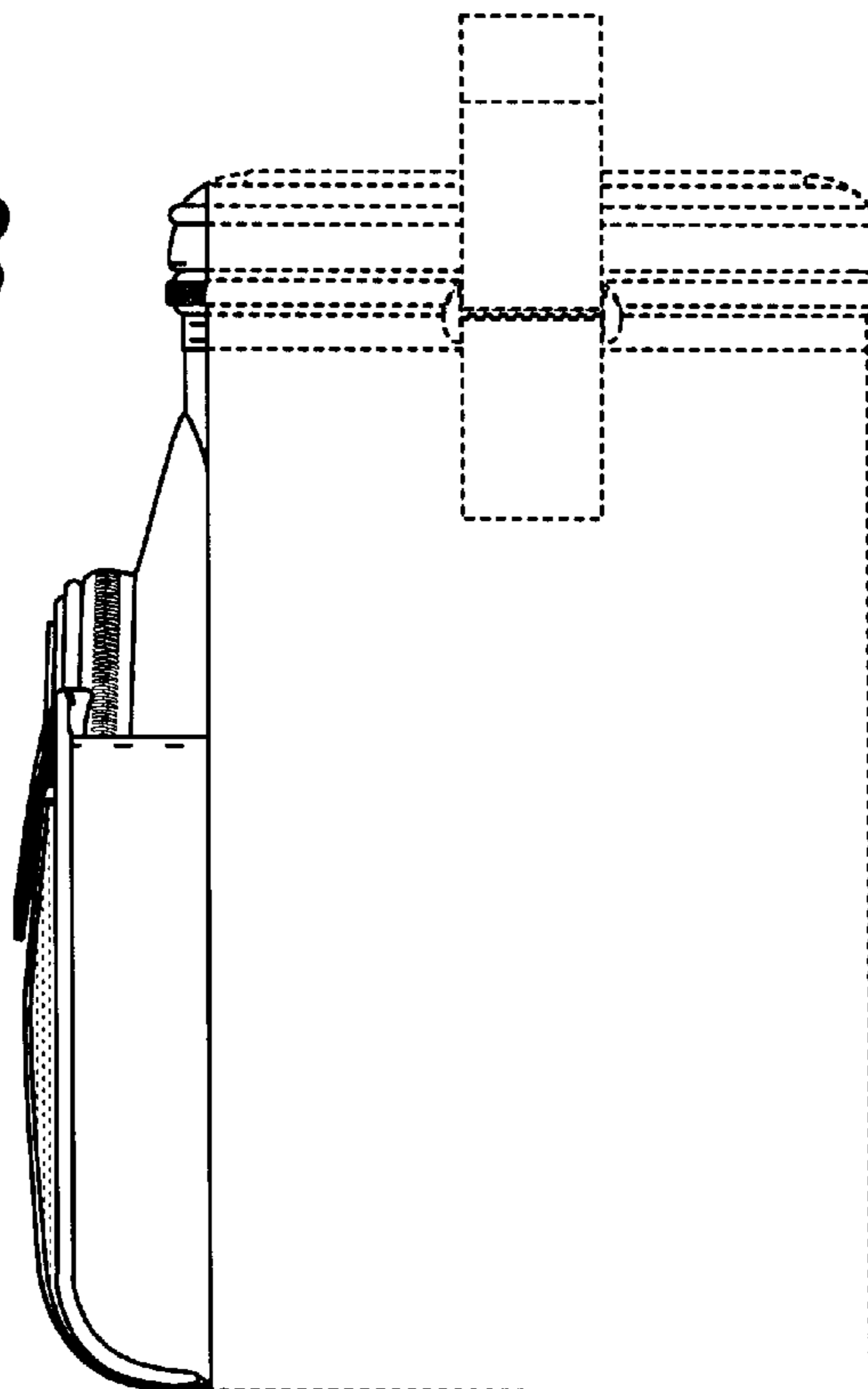
*Fig. 16*



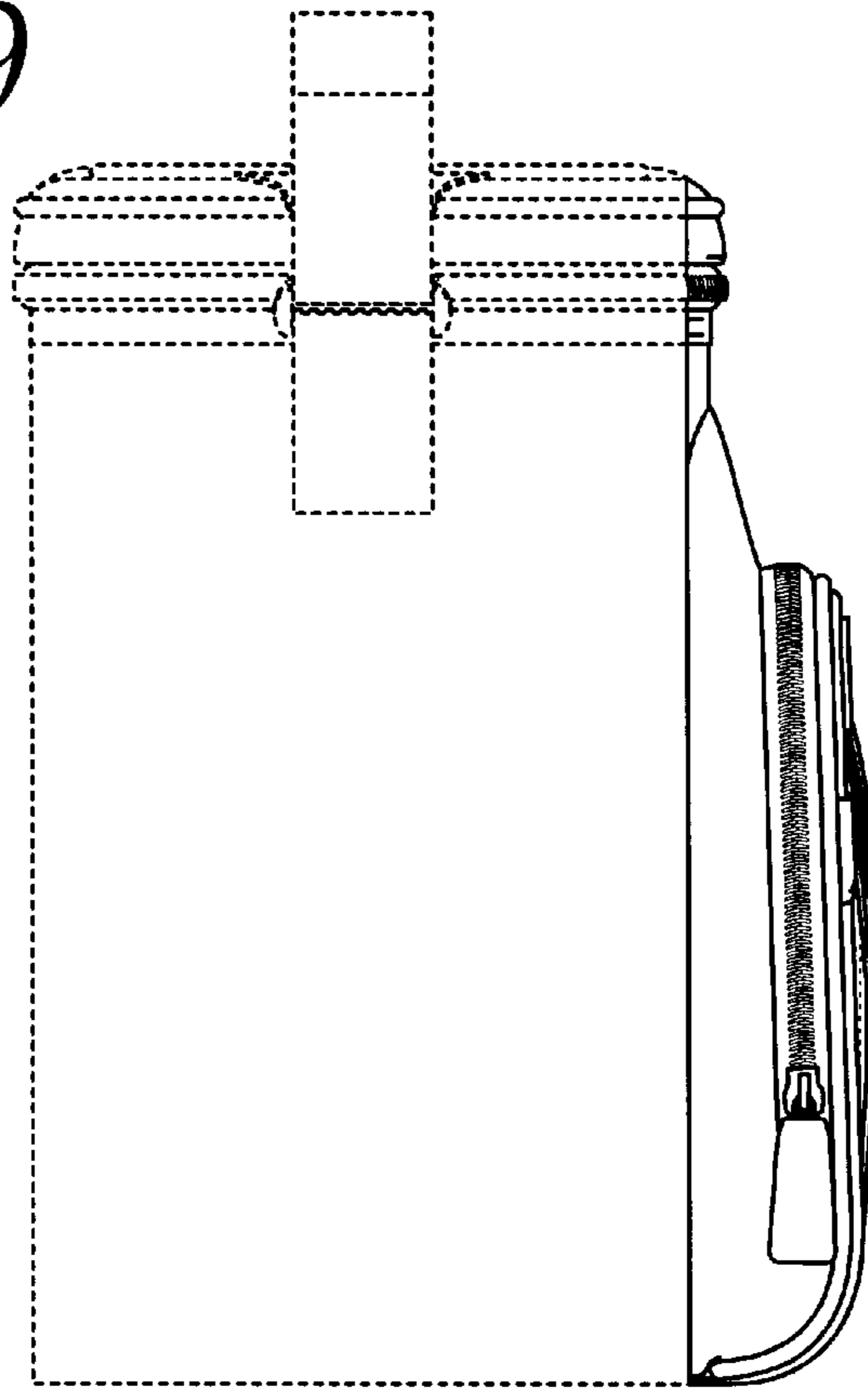
*Fig. 17*



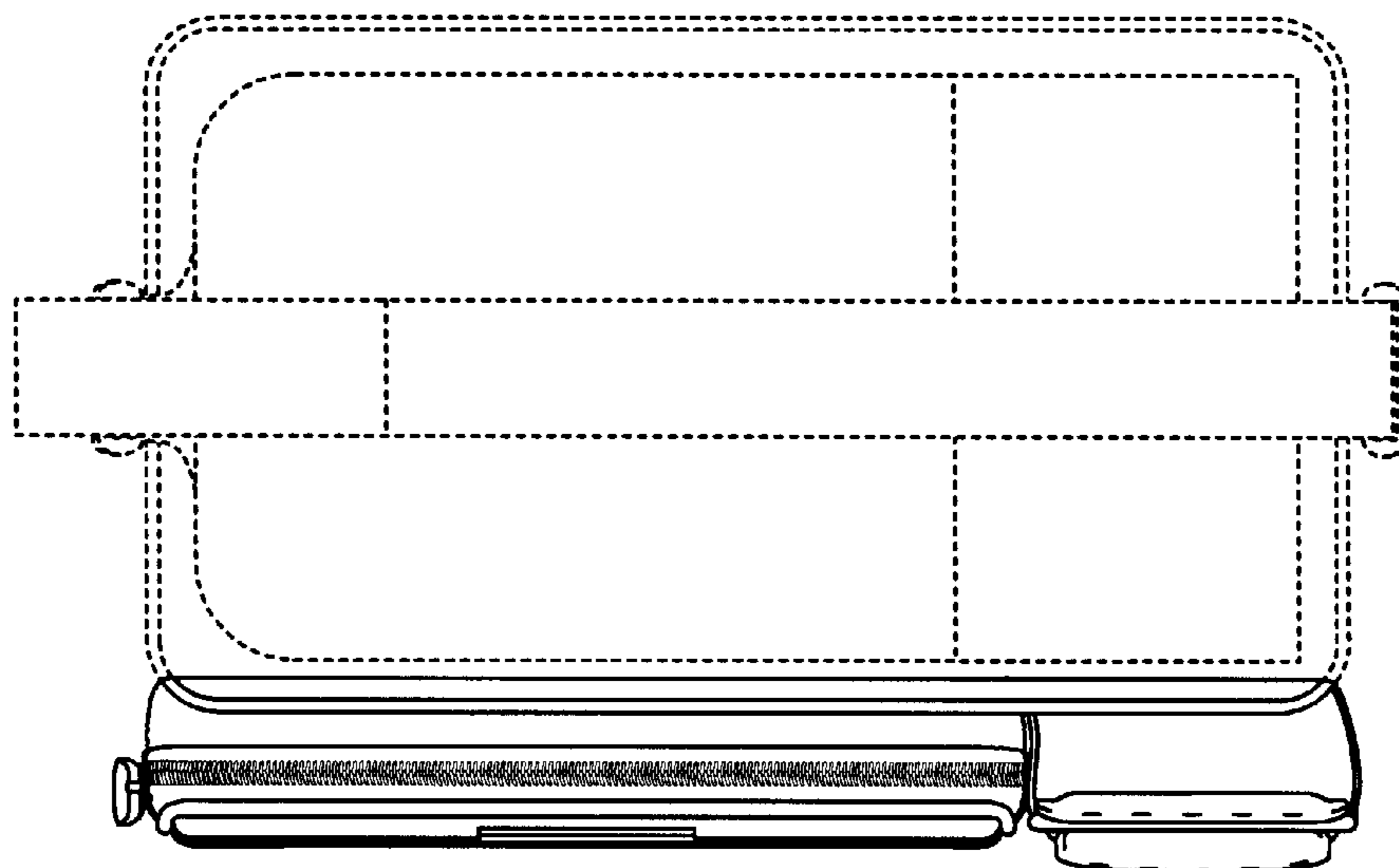
*Fig. 18*



*Fig. 19*

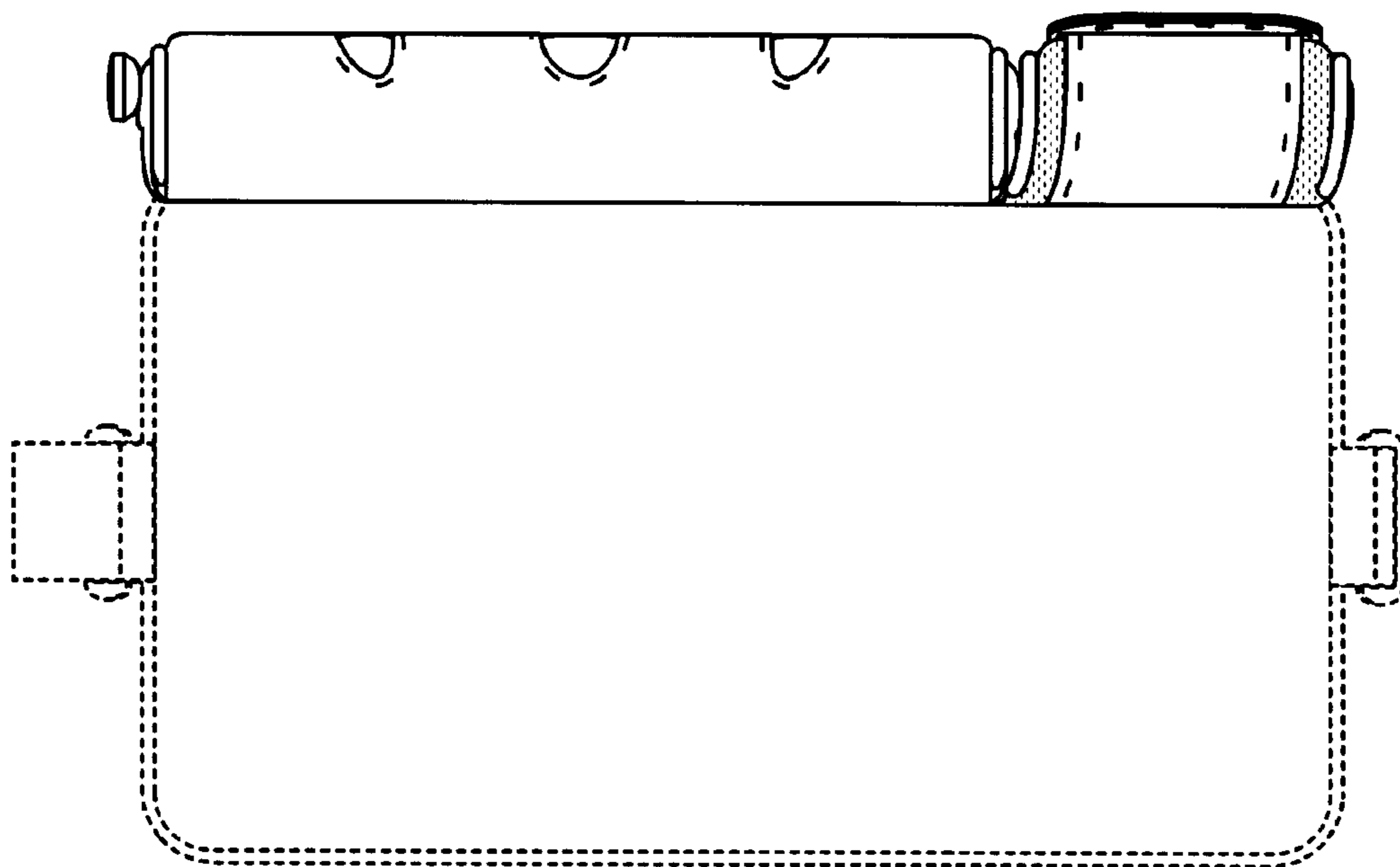


*Fig. 20*

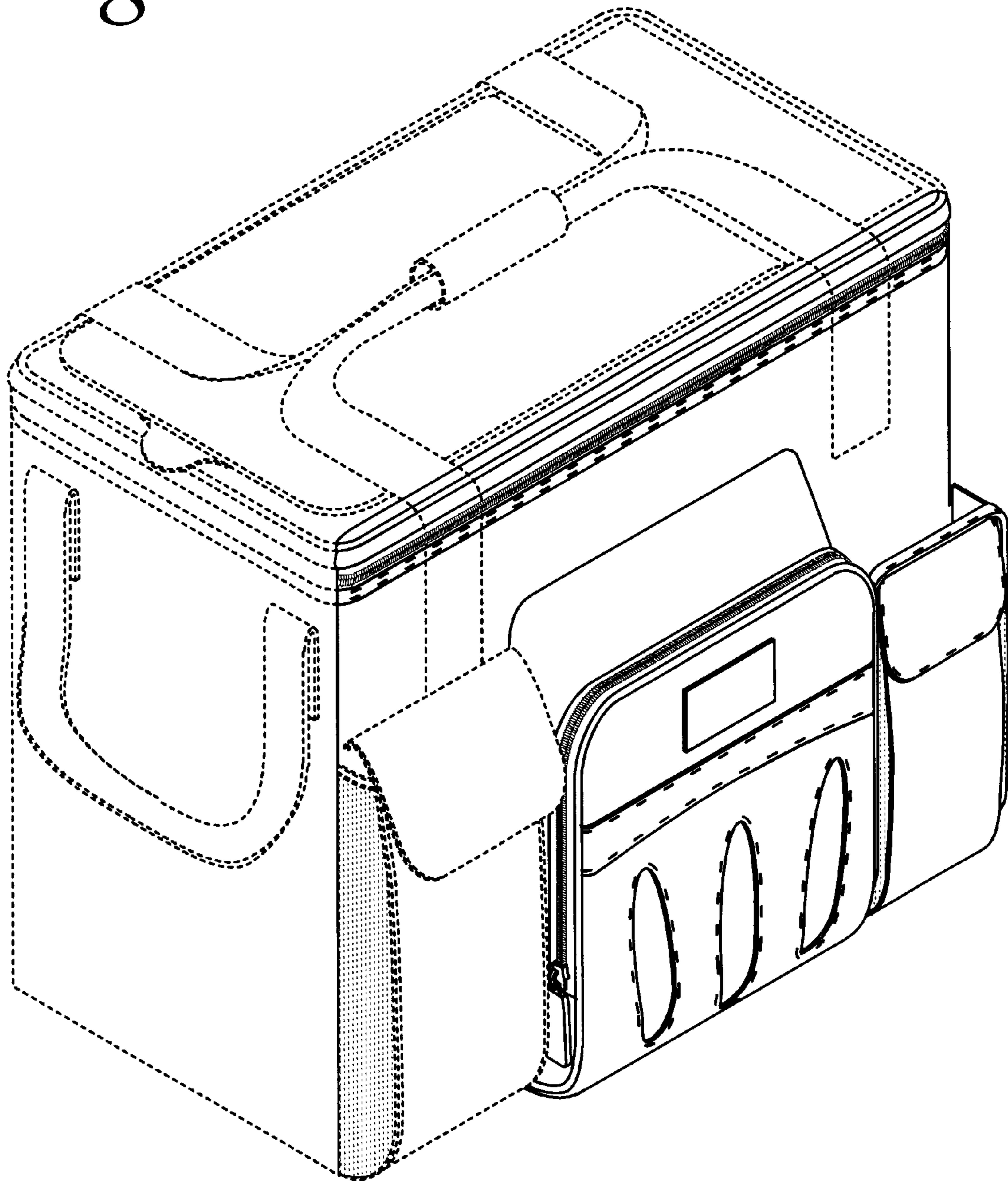




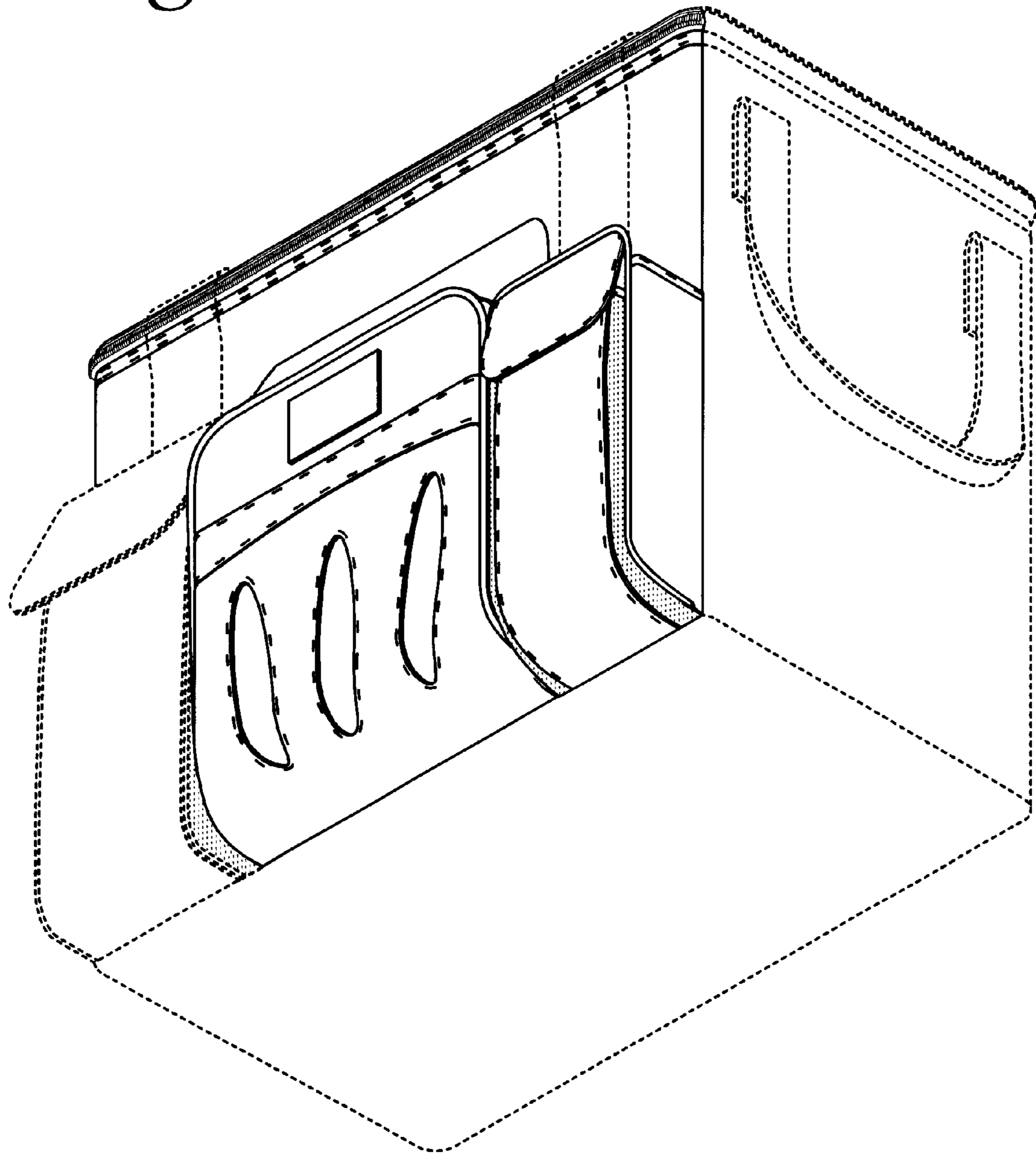
*Fig. 21*



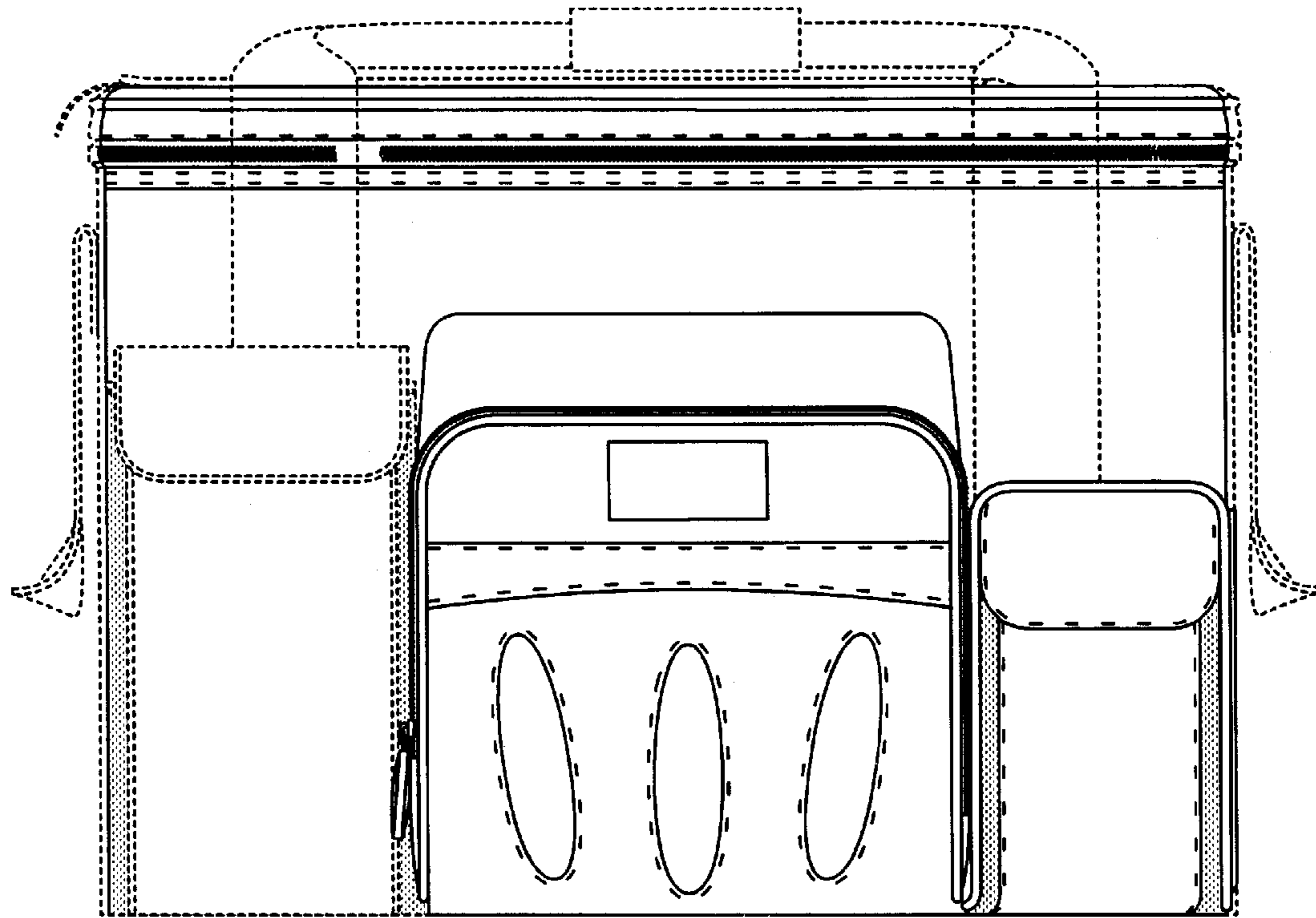
*Fig. 22*



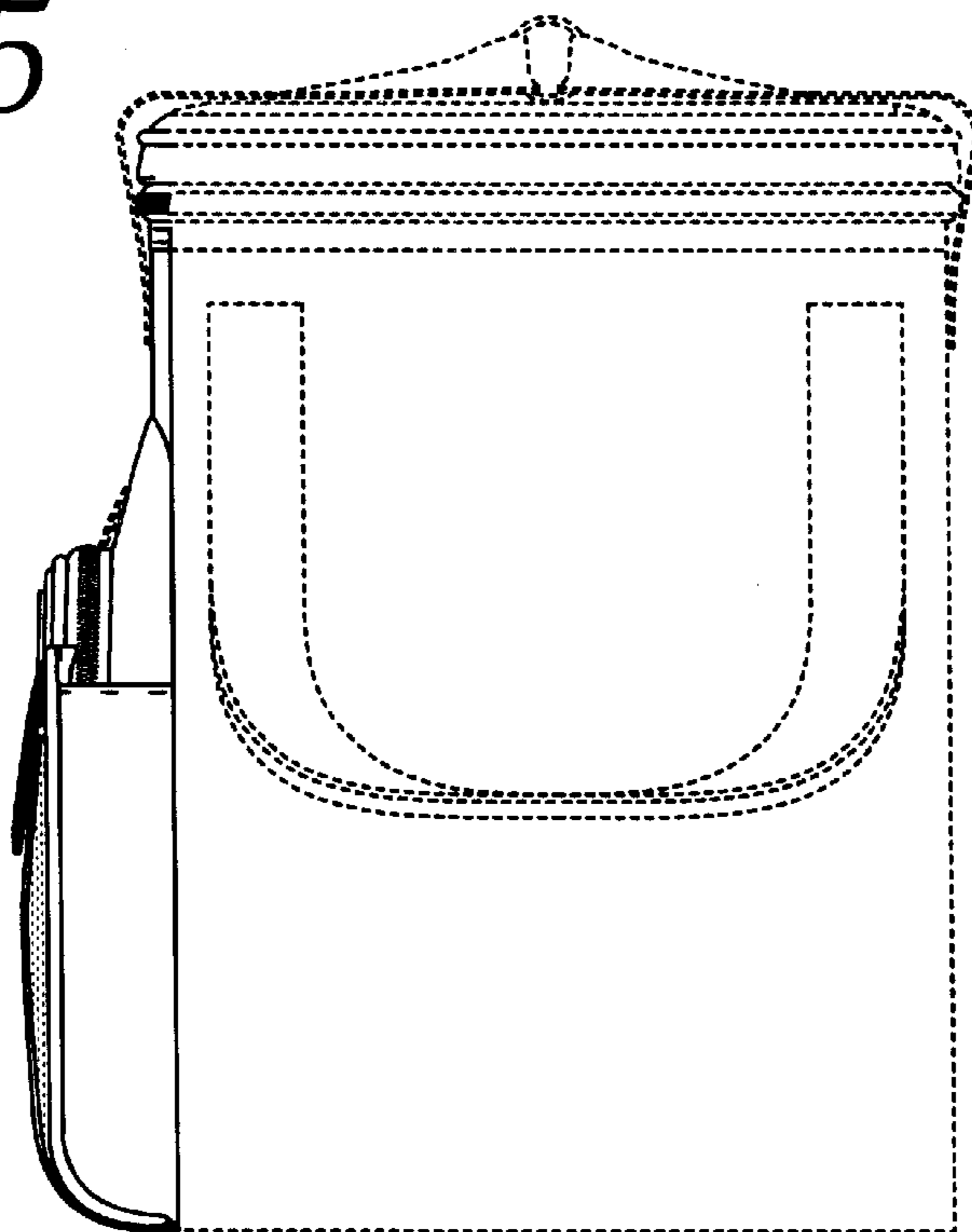
*Fig. 23*



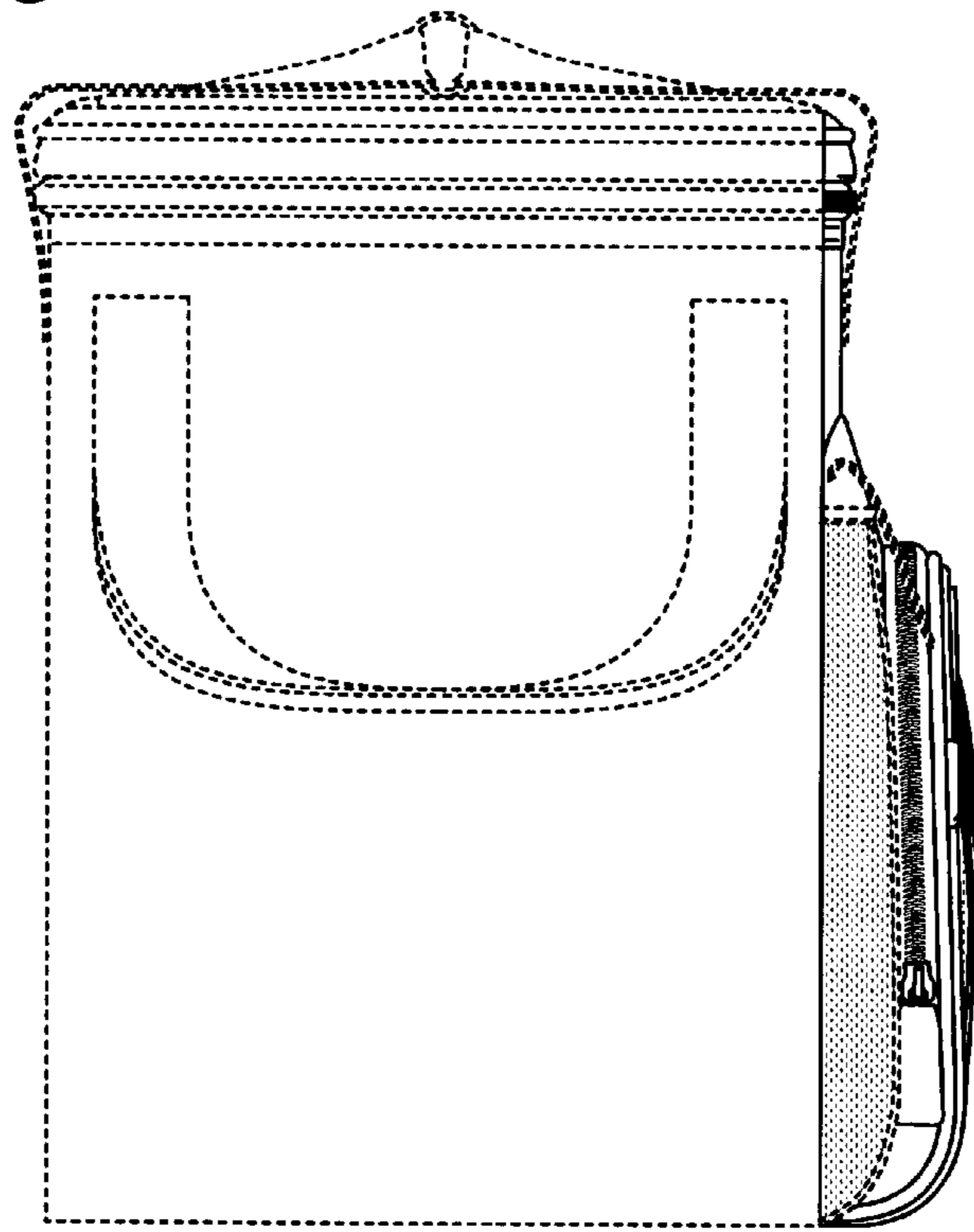
*Fig. 24*



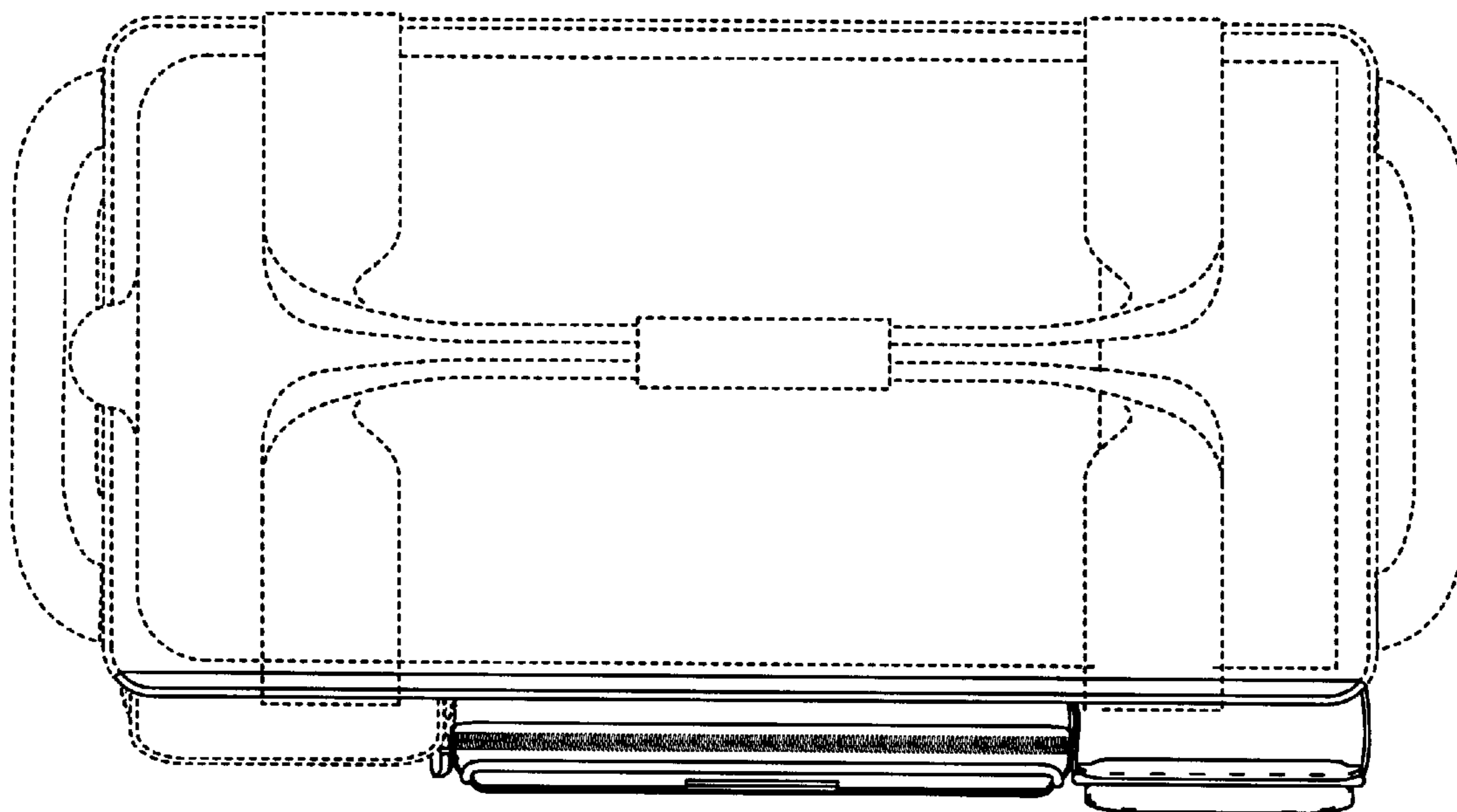
*Fig. 25*



*Fig. 26*



*Fig. 27*



*Fig. 28*

