

US00D492149S1

(12) **United States Design Patent**
Uihlein et al.

(10) **Patent No.:** **US D492,149 S**
(45) **Date of Patent:** **** Jun. 29, 2004**

(54) **DRAWER WITH SIDE ACCESS COMPARTMENT**

D362,985 S * 10/1995 Hatcher D6/510
D396,583 S * 8/1998 Nielsen D6/509
D451,936 S 12/2001 Ma et al.
D475,872 S * 6/2003 Picone D6/510

(75) Inventors: **Philip J. Uihlein**, Mequon, WI (US);
Jennifer U. Strazewski, Mequon, WI (US);
William A. Reed, Cedarburg, WI (US);
Thomas W. Rand, Cedarburg, WI (US);
Joseph E. Braun, Brown Deer, WI (US);
Ami M. Verhalen, Sun Prairie, WI (US);
Cory R. Boudreau, Madison, WI (US);
Daniel R. Bullis, Jr., Madison, WI (US);
Richard A. Nelipovich, Madison, WI (US)

* cited by examiner

Primary Examiner—Cathron Brooks
(74) *Attorney, Agent, or Firm*—Quarles & Brady LLP

(73) Assignee: **U-Line Corporation**, Milwaukee, WI (US)

(57) **CLAIM**

The ornamental design for a drawer with side access compartment, as shown and described.

(**) Term: **14 Years**

DESCRIPTION

(21) Appl. No.: **29/190,370**

FIG. 1 is a front perspective view of a drawer with a side access compartment according to our new design;

(22) Filed: **Sep. 19, 2003**

FIG. 2 is a rear perspective view thereof;

(51) **LOC (7) Cl.** **06-06**

(52) **U.S. Cl.** **D6/510**

(58) **Field of Search** D6/491, 509–510;
312/204, 348.3

FIG. 3 is a right side elevational view thereof, the left side elevational view being a mirror image thereof;

FIG. 4 is a bottom plan view thereof;

FIG. 5 is a back elevational view thereof; and,

FIG. 6 is a front elevational view thereof.

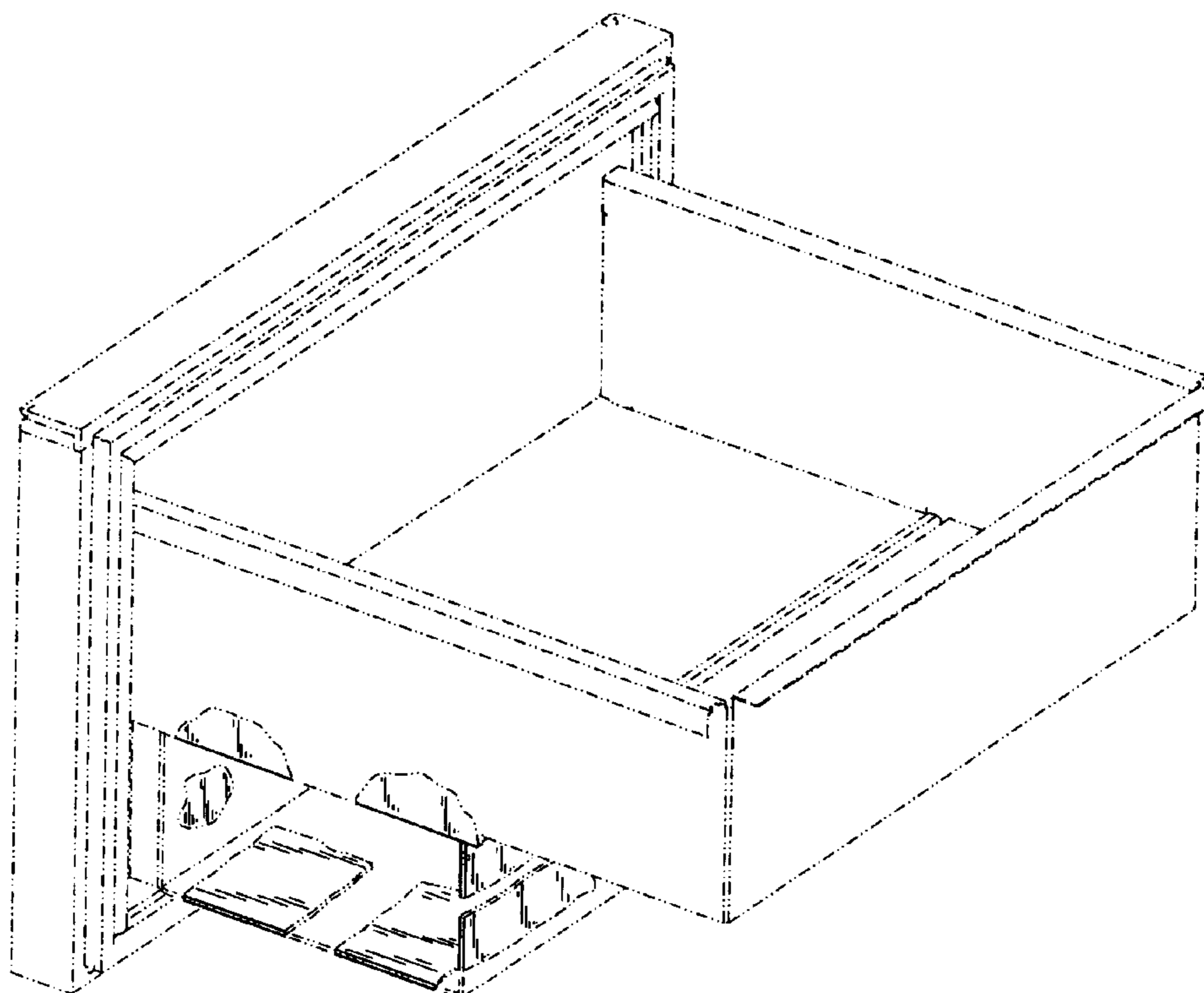
The broken line showing of environment and of the boundaries between claimed and unclaimed portions of the design form no part of the claimed design.

(56) **References Cited**

U.S. PATENT DOCUMENTS

D110,953 S * 8/1938 Bargaen D6/475

1 Claim, 6 Drawing Sheets



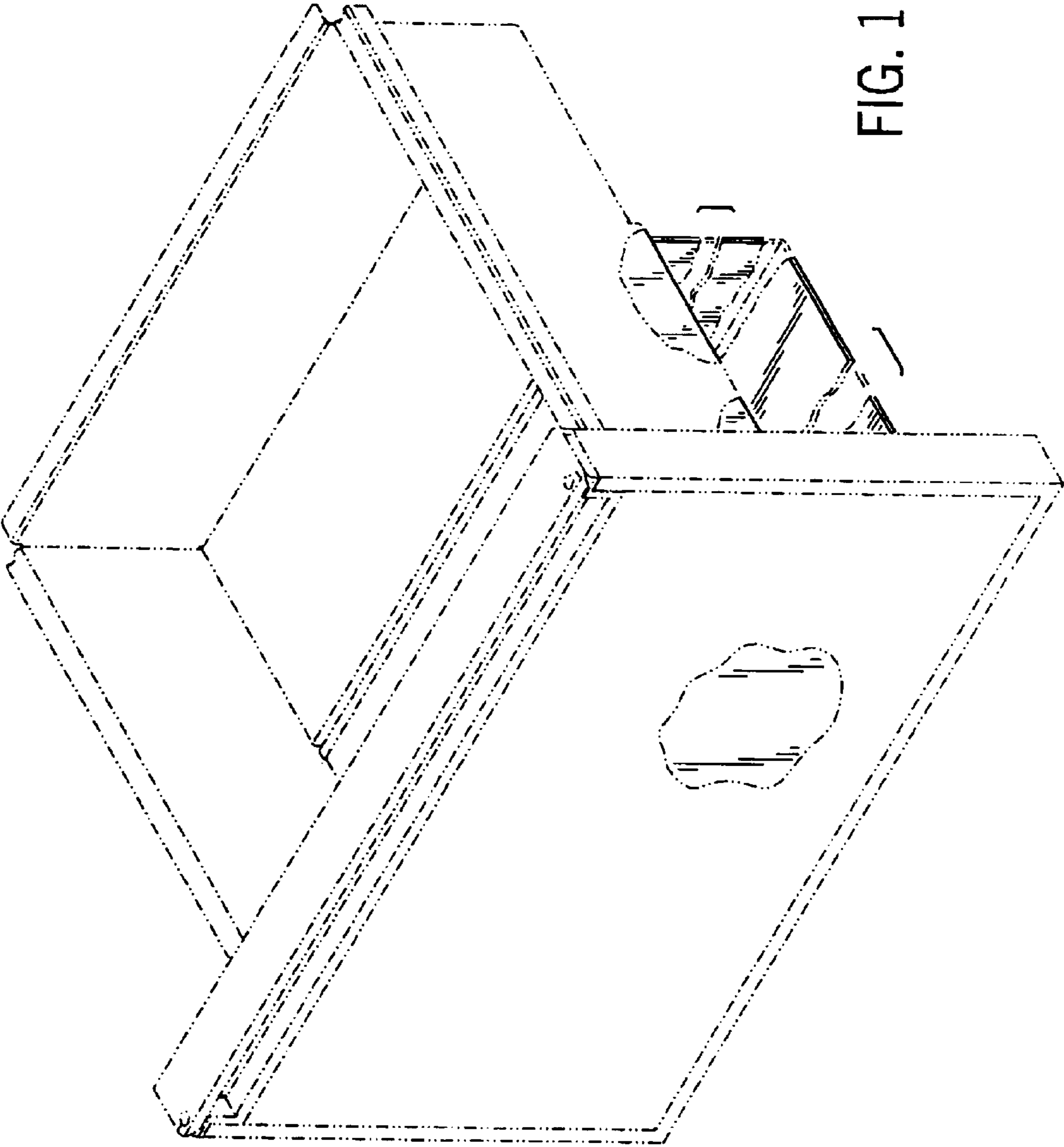


FIG. 1

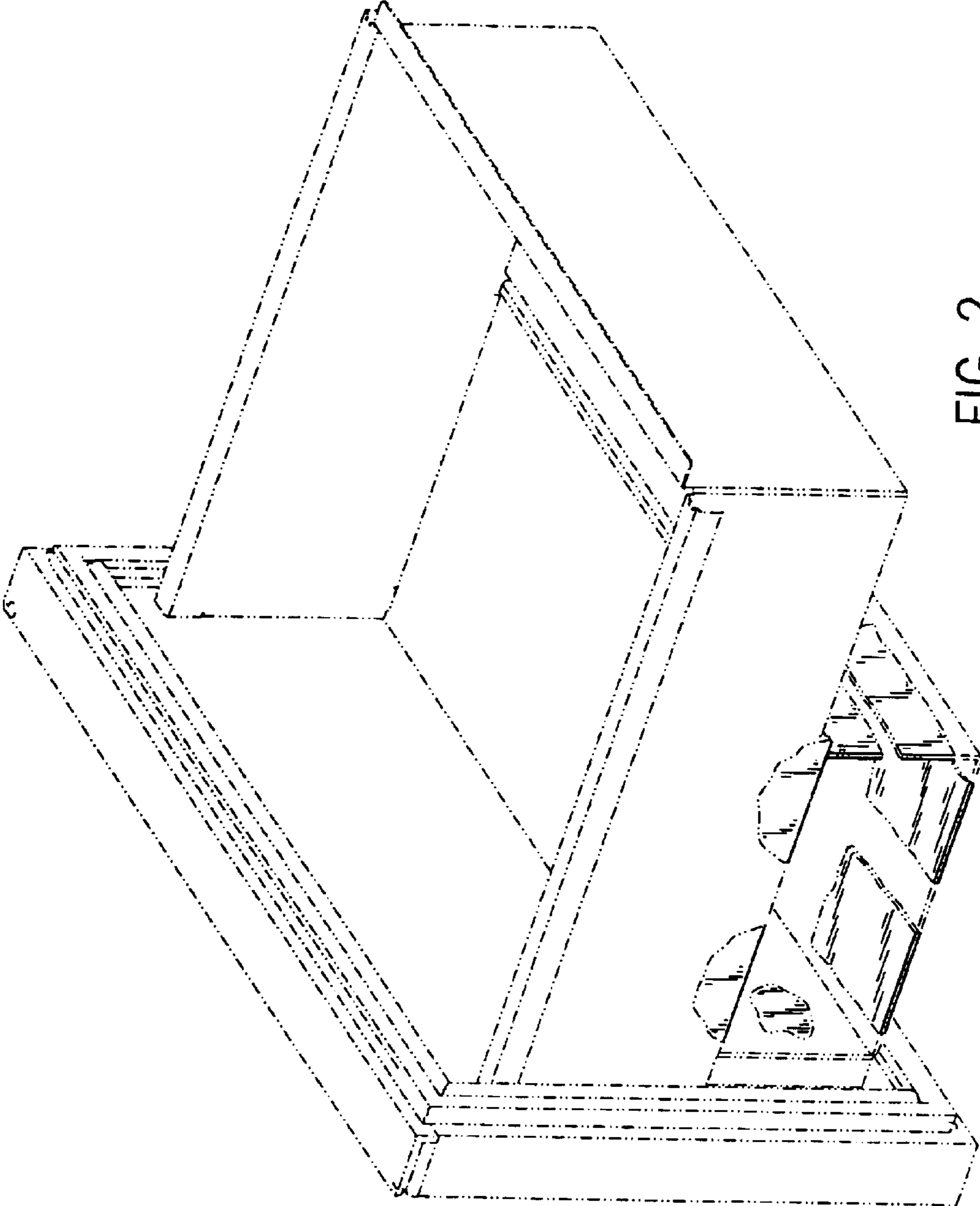


FIG. 2

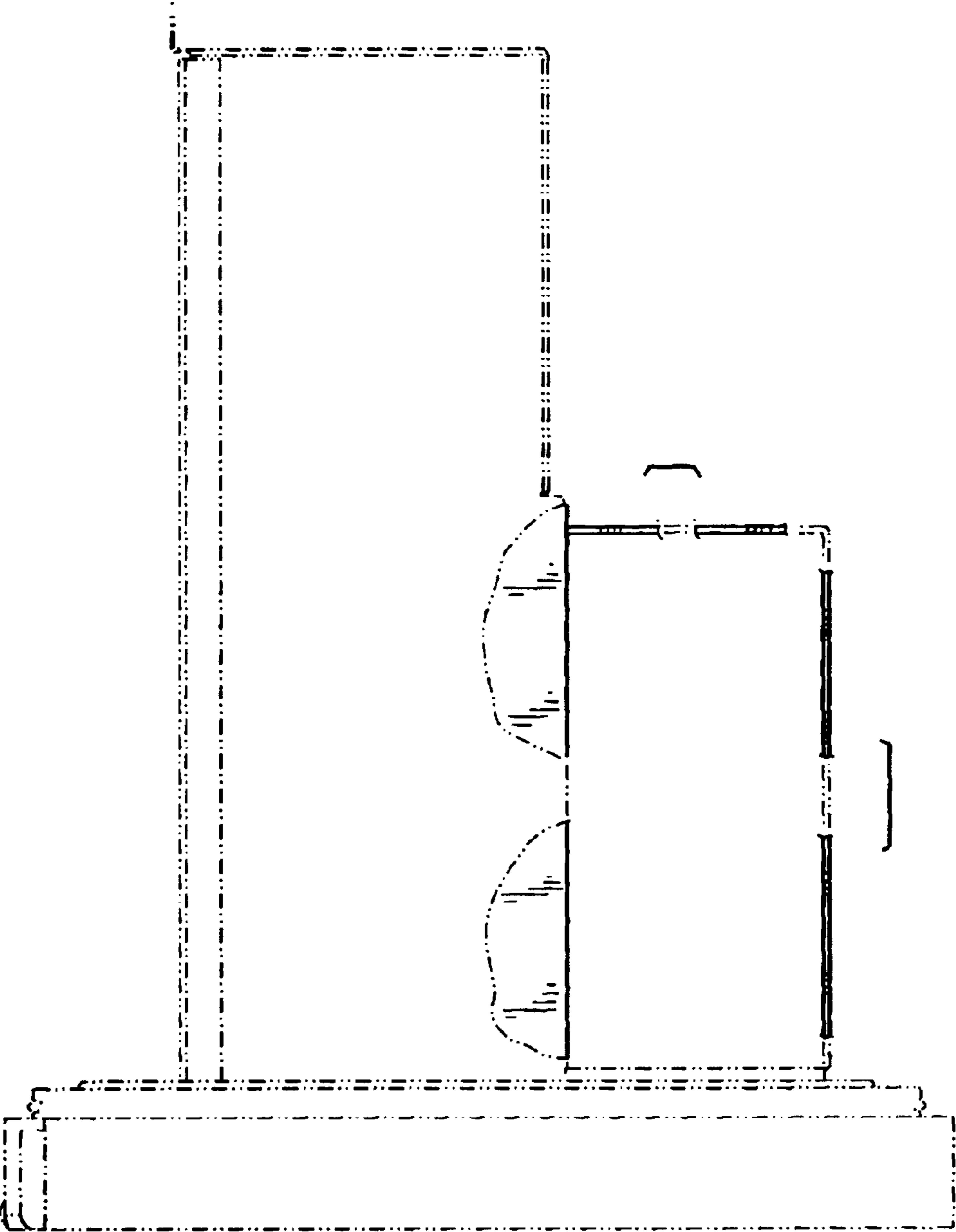


FIG. 3

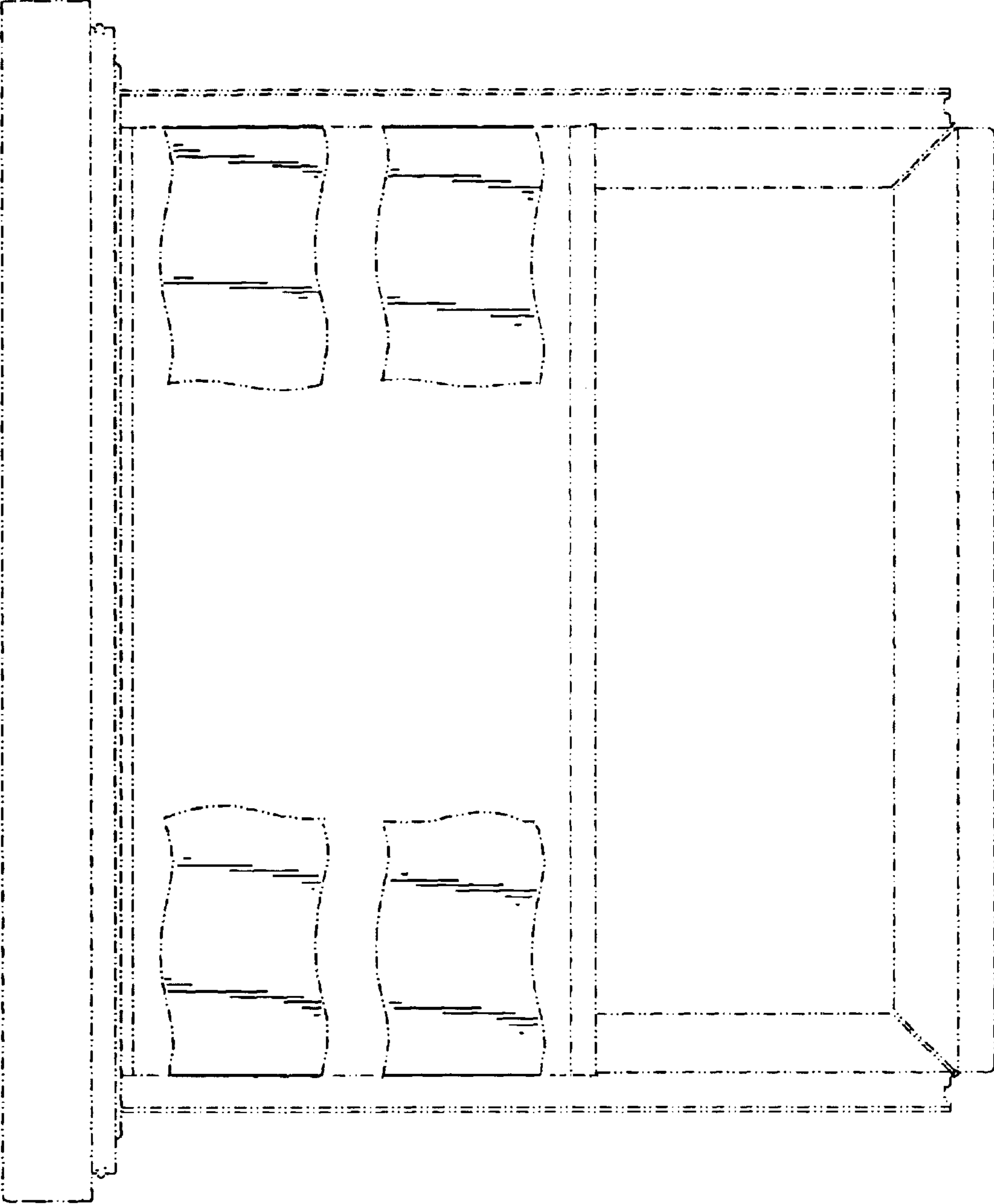


FIG. 4

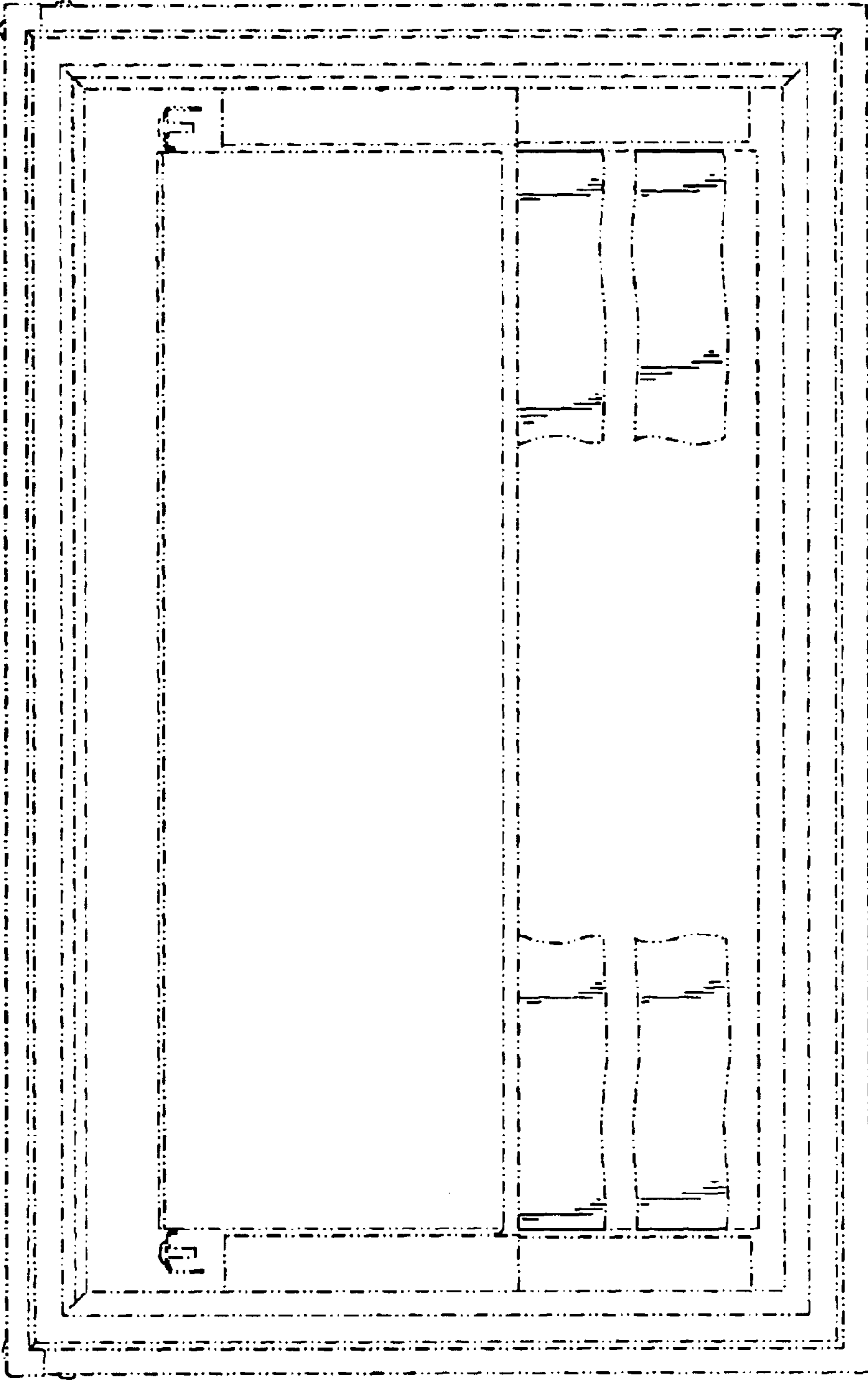


FIG. 5

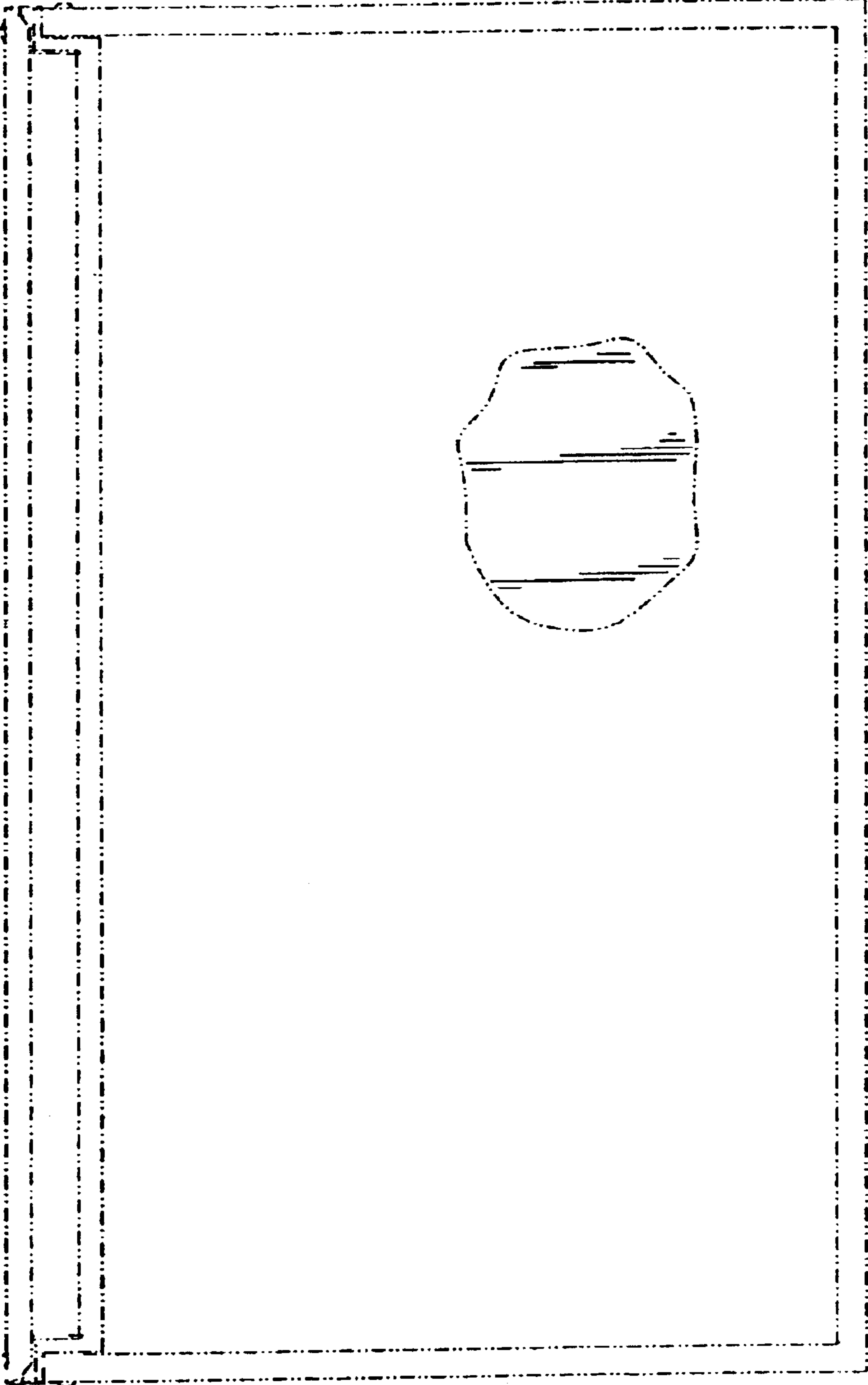


FIG. 6