

US00D492138S1

(12) **United States Design Patent**
Dardashti

(10) **Patent No.:** **US D492,138 S**
(45) **Date of Patent:** **** Jun. 29, 2004**

(54) **STORAGE RACK**

(76) Inventor: **Shahriar L. Dardashti**, 14138
Beresford Rd., Beverly Hills, CA (US)
90210

(**) Term: **14 Years**

(21) Appl. No.: **29/192,107**

(22) Filed: **Oct. 17, 2003**

(51) **LOC (7) Cl.** **06-04**

(52) **U.S. Cl.** **D6/479**

(58) **Field of Search** D6/464, 474-476,
D6/477-479; 108/59, 60, 91, 92, 147.11,
149; 211/153, 186, 188, 194; 312/7.2, 9.1,
223.1

(56) **References Cited**

U.S. PATENT DOCUMENTS

D347,340 S	*	5/1994	Willens	D6/479
D358,725 S	*	5/1995	Stender	D6/407
D361,680 S	*	8/1995	Palsson	D6/479
D374,359 S	*	10/1996	Liu	D6/479
D426,987 S	*	6/2000	Lewis	D6/479

OTHER PUBLICATIONS

Schoner Wohnen, Curving Cabinet, p. 26, Sep. 1988.*
Home Decorators Collection Catalog, Wave Media Storage
Tower, p. 63, Summer 2001.*

* cited by examiner

Primary Examiner—Cathron Brooks

(74) *Attorney, Agent, or Firm*—Cislo & Thomas LLP

(57) **CLAIM**

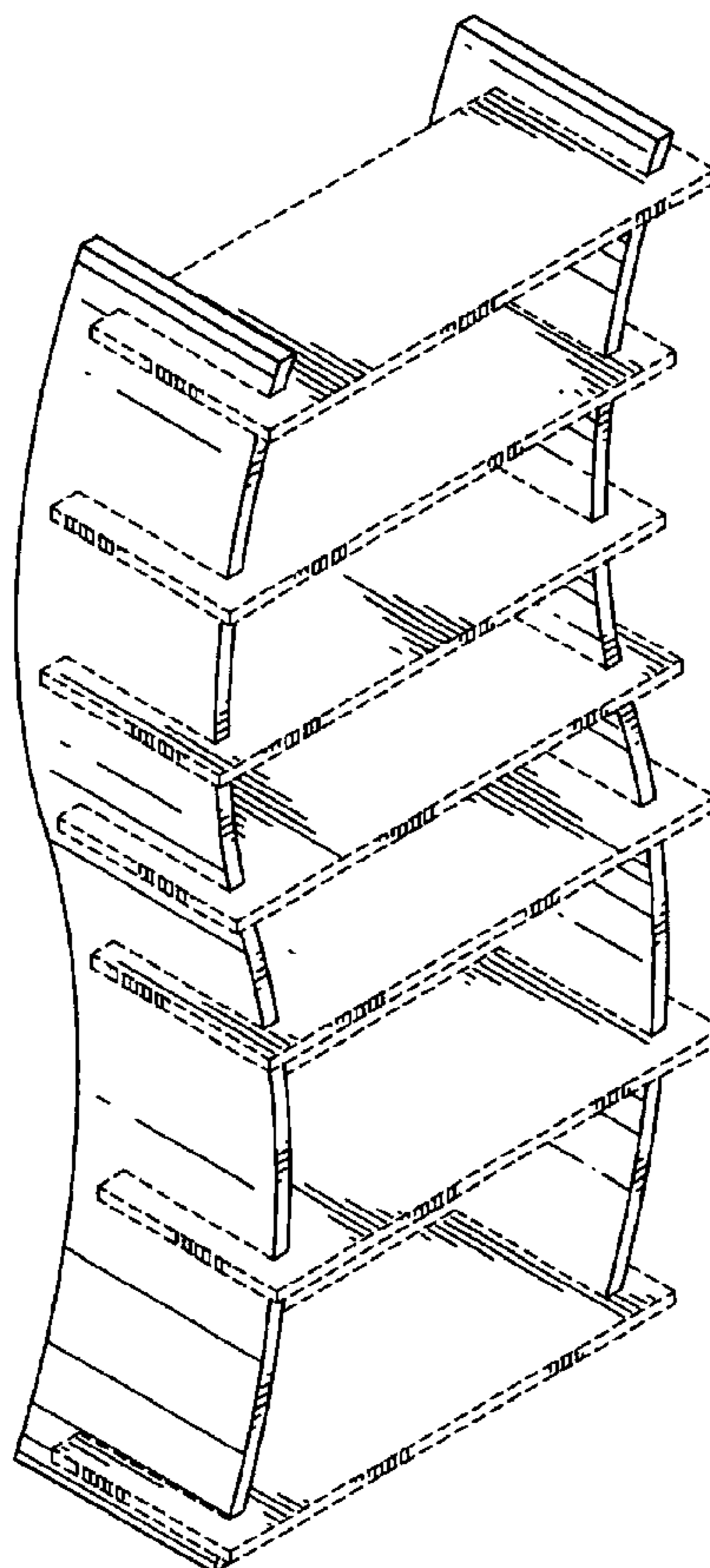
The ornamental design for a storage rack, as shown and
described herein.

DESCRIPTION

FIG. 1 Is a perspective view of my storage rack;
FIG. 2 Is a front view thereof;
FIG. 3 Is a rear view thereof;
FIG. 4 Is a right side view thereof;
FIG. 5 Is a left side view thereof;
FIG. 6 Is a bottom view thereof; and,
FIG. 7 Is a top view thereof.

The broken lines shown in the drawings form no part of the
claimed design. In FIGS. 1, 4 and 5 the slots are not claimed,
and in FIGS. 1-7 the boundary of the shelves are not
claimed.

1 Claim, 3 Drawing Sheets



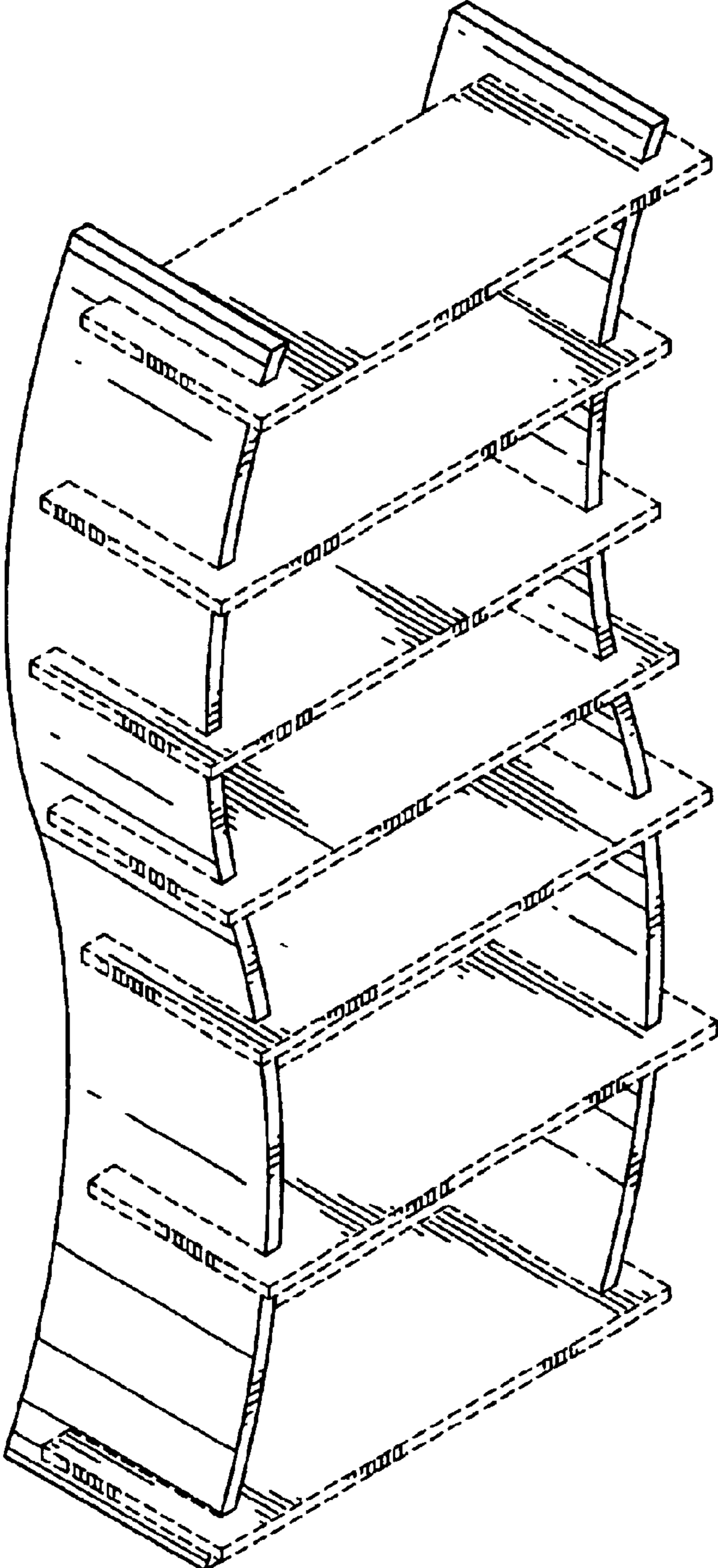


FIG. 1

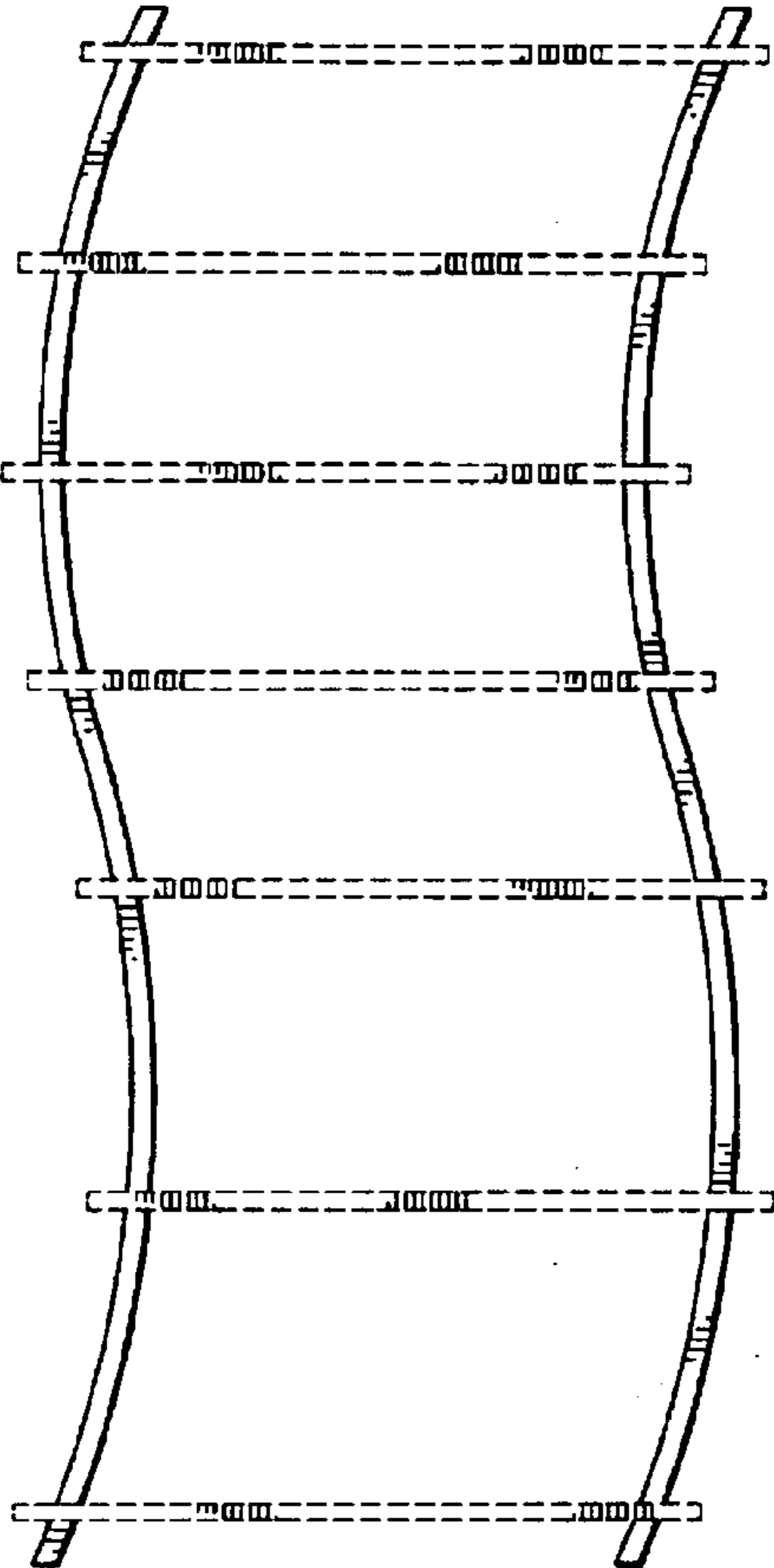


FIG. 2

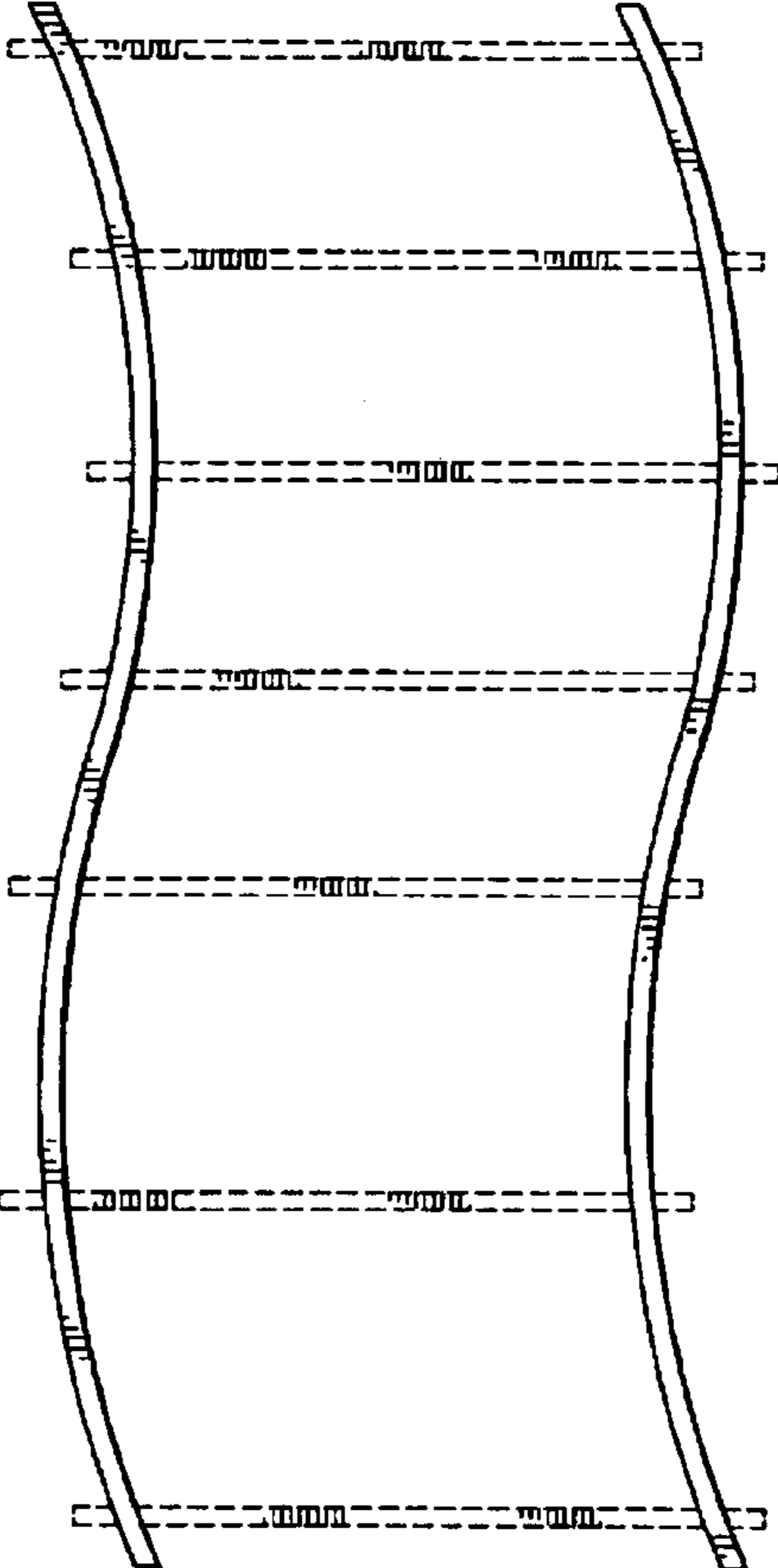


FIG. 3

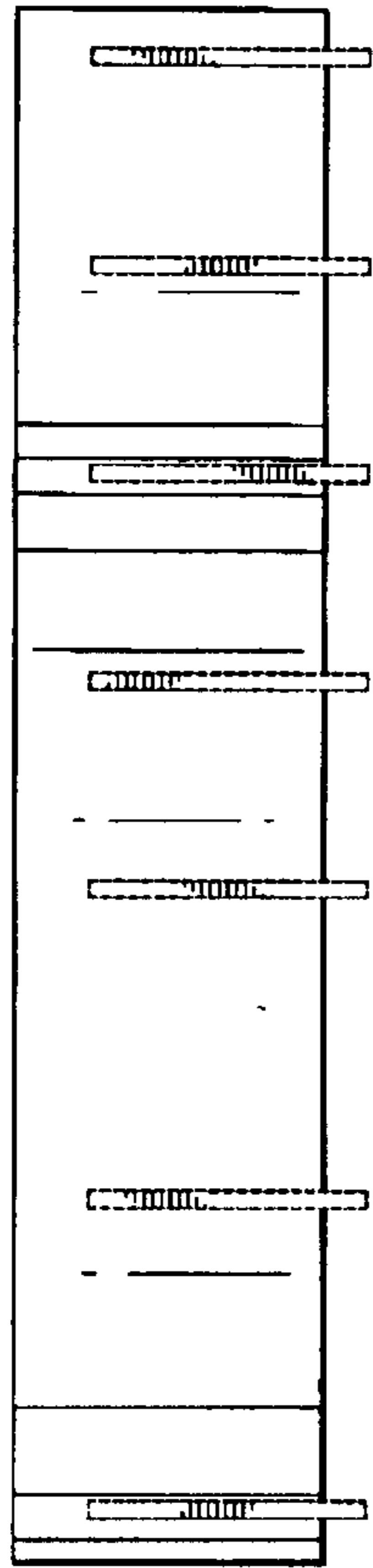


FIG. 4

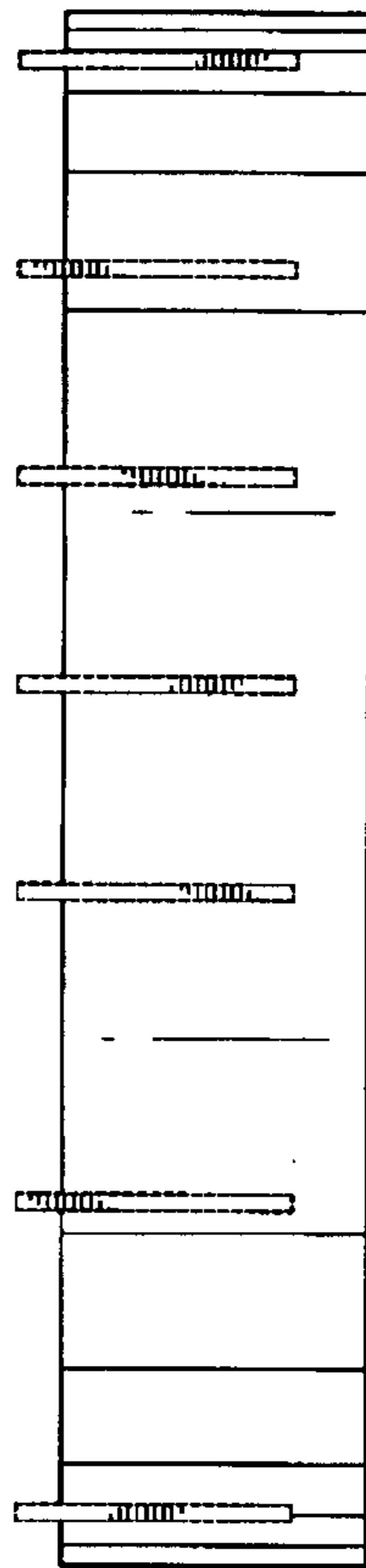


FIG. 5

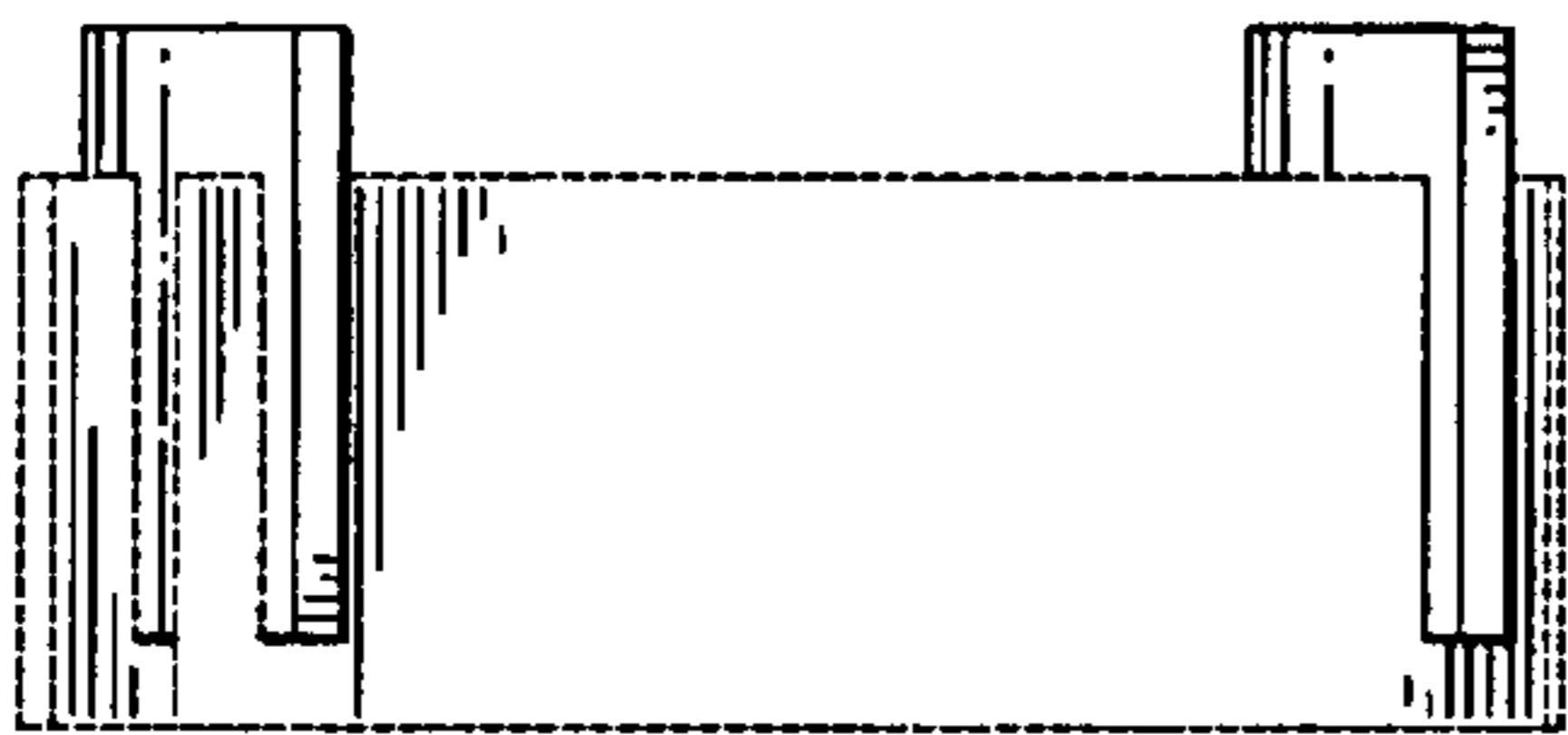


FIG. 6

FIG. 7

