

US00D492137S1

(12) **United States Design Patent**  
**Siegel et al.**

(10) **Patent No.: US D492,137 S**  
(45) **Date of Patent: \*\* Jun. 29, 2004**

- (54) **ROTATING PRODUCT DISPLAY**
- (75) Inventors: **Stuart Siegel**, Walpole, MA (US);  
**William Sterling**, Charlestown, MA (US)
- (73) Assignee: **Alsons Corporation**, Hillsdale, MI (US)
- (\*\*) Term: **14 Years**

D275,638 S	*	9/1984	Grier .....	D7/635
4,775,055 A	*	10/1988	Morse .....	211/78
D308,610 S	*	6/1990	Ianni .....	D6/469
D323,446 S	*	1/1992	Morse .....	D7/600.2
D373,032 S	*	8/1996	Williamson-Markman ...	D6/437
D373,069 S	*	8/1996	McCarthy .....	D8/354
5,755,418 A	*	5/1998	Kracke et al. ....	248/311.3
D435,740 S	*	1/2001	Han .....	D6/405

\* cited by examiner

*Primary Examiner*—Cathron C. Brooks  
(74) *Attorney, Agent, or Firm*—Edgar A. Zarins; Lloyd D. Doigan

- (21) Appl. No.: **29/183,834**
- (22) Filed: **Jun. 18, 2003**

- (51) **LOC (7) Cl.** ..... **06-04**
- (52) **U.S. Cl.** ..... **D6/469**
- (58) **Field of Search** ..... D6/455–461, 467–469,  
D6/473, 474, 479, 449; 108/91–93; 211/13.1,  
85.1, 85.2, 49.1, 50, 70, 74, 78, 61.1, 134,  
189, 195; 248/102, 105, 175, 346.03, 349.1

(57) **CLAIM**

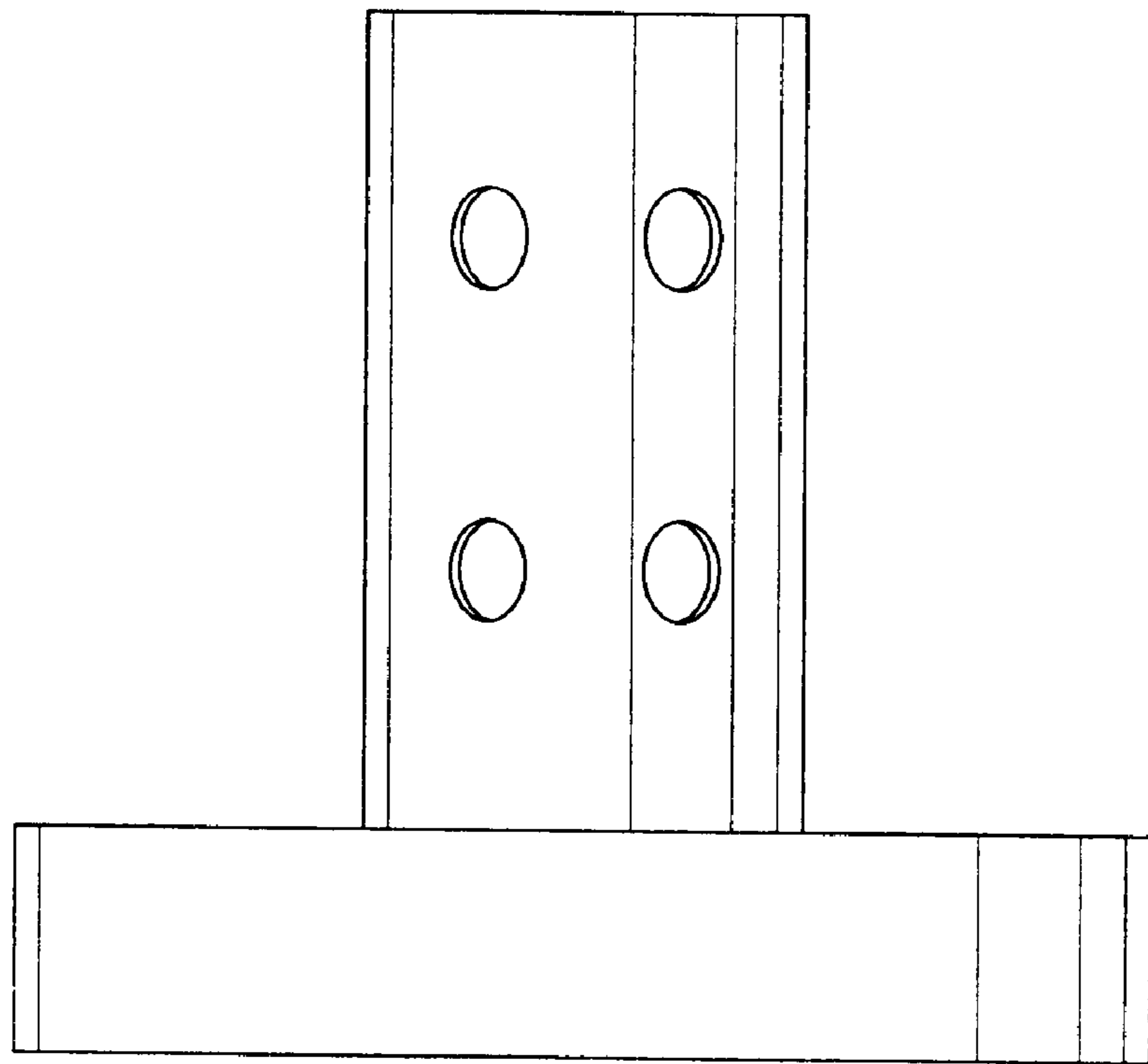
The ornamental design for a rotating product display, as shown and described.

**DESCRIPTION**

FIG. 1 is a perspective view of a rotating product display showing our new design;  
FIG. 2 is a side view thereof;  
FIG. 3 is a top plan view thereof;  
FIG. 4 is a perspective view of an alternative embodiment of the rotating product display;  
FIG. 5 is a side view thereof; and,  
FIG. 6 is a top plan view thereof.  
The broken lines shown are for illustrative purposes only and form no part of the claimed design.

- (56) **References Cited**  
U.S. PATENT DOCUMENTS
- |             |   |         |                    |          |
|-------------|---|---------|--------------------|----------|
| 1,548,717 A | * | 8/1925  | Hall .....         | 248/121  |
| 2,063,393 A | * | 12/1936 | McIver .....       | 211/49.1 |
| 2,697,294 A | * | 12/1954 | Zenker et al. .... | 40/539   |
| 3,901,389 A | * | 8/1975  | Belokin, Jr. ....  | 211/74   |
| 3,997,050 A | * | 12/1976 | Patterson .....    | 206/566  |
| 4,239,121 A | * | 12/1980 | Hodes .....        | 209/703  |
| D262,274 S  | * | 12/1981 | Lahr .....         | D11/152  |

**1 Claim, 2 Drawing Sheets**



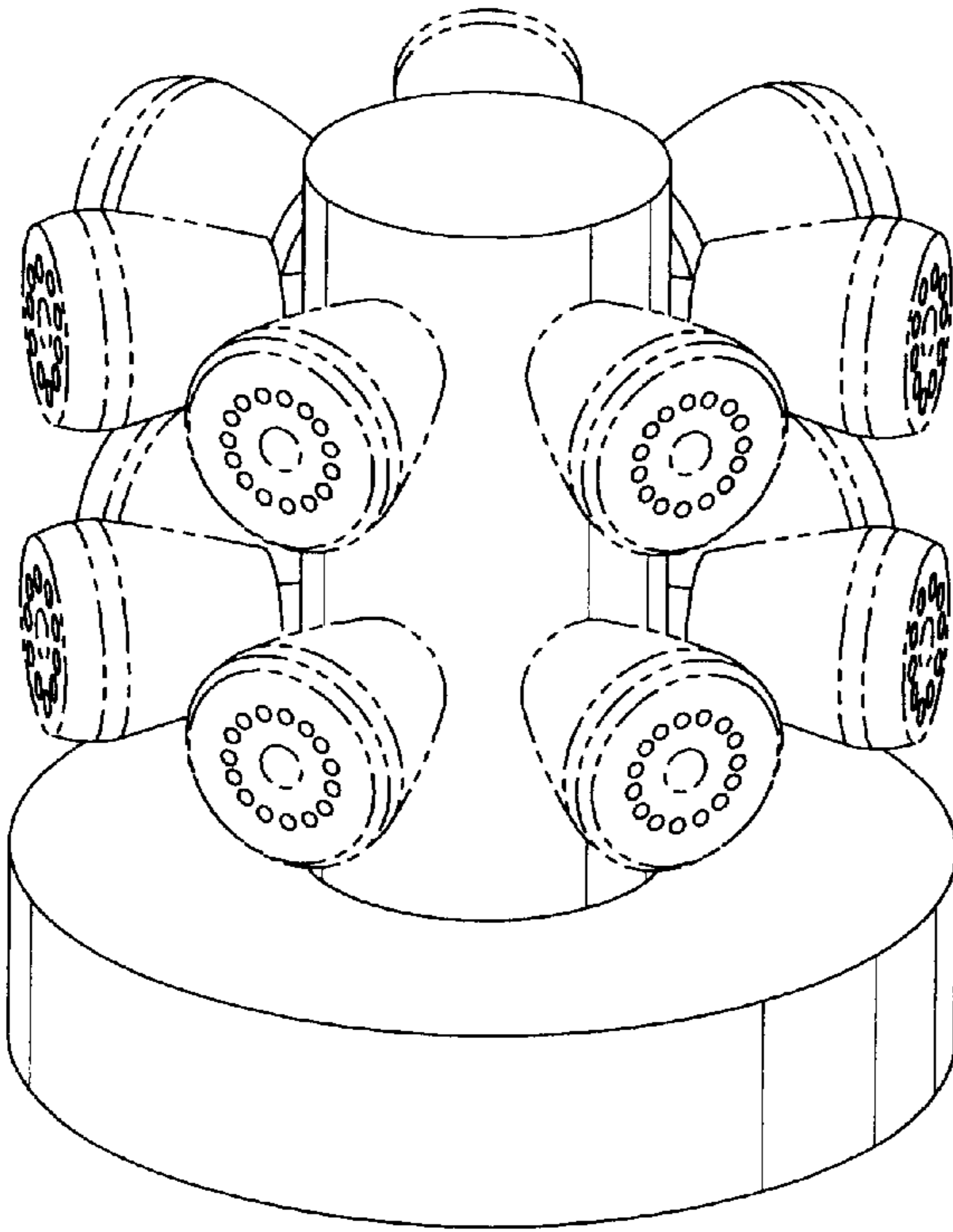


Fig-1

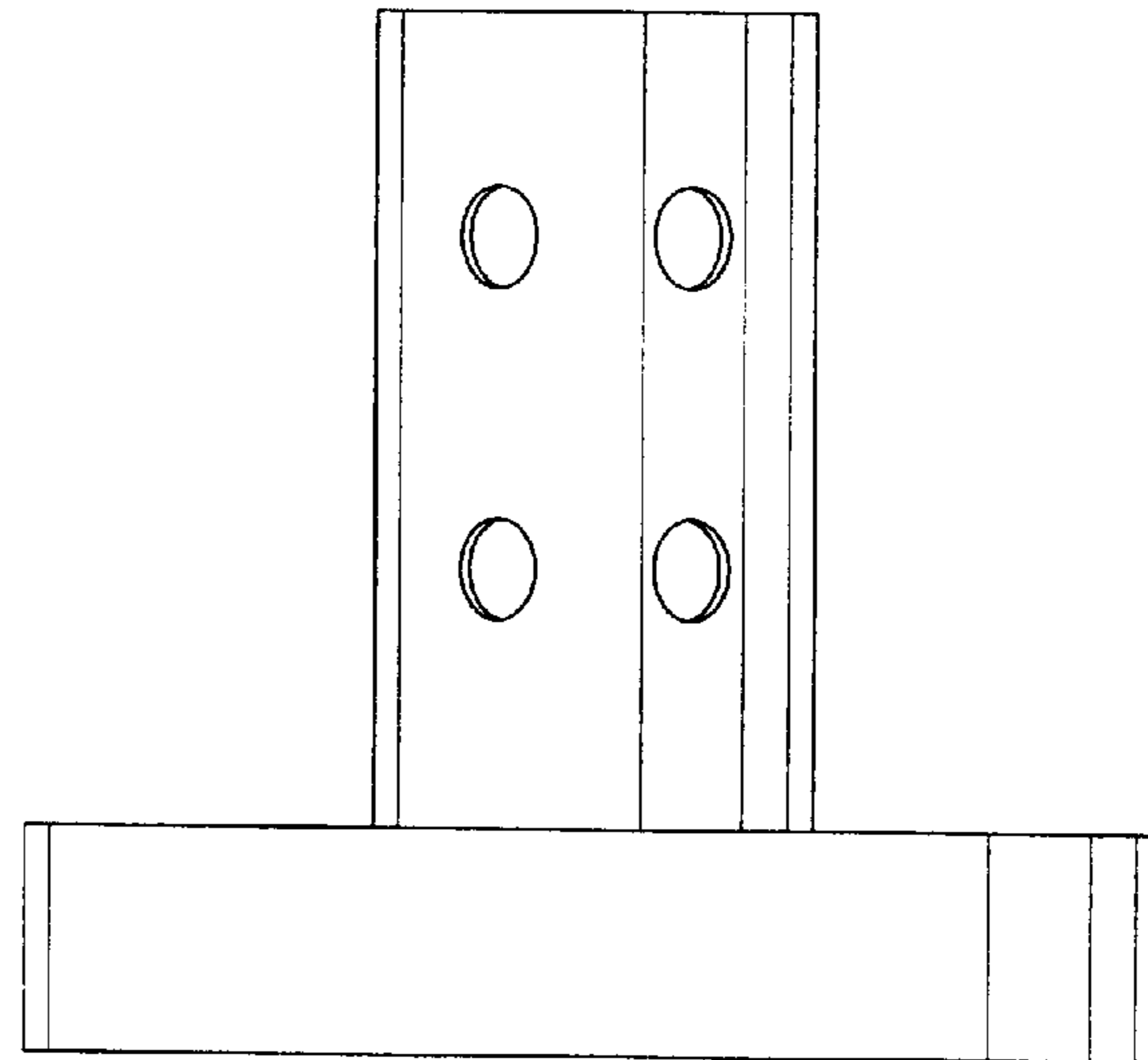


Fig-2

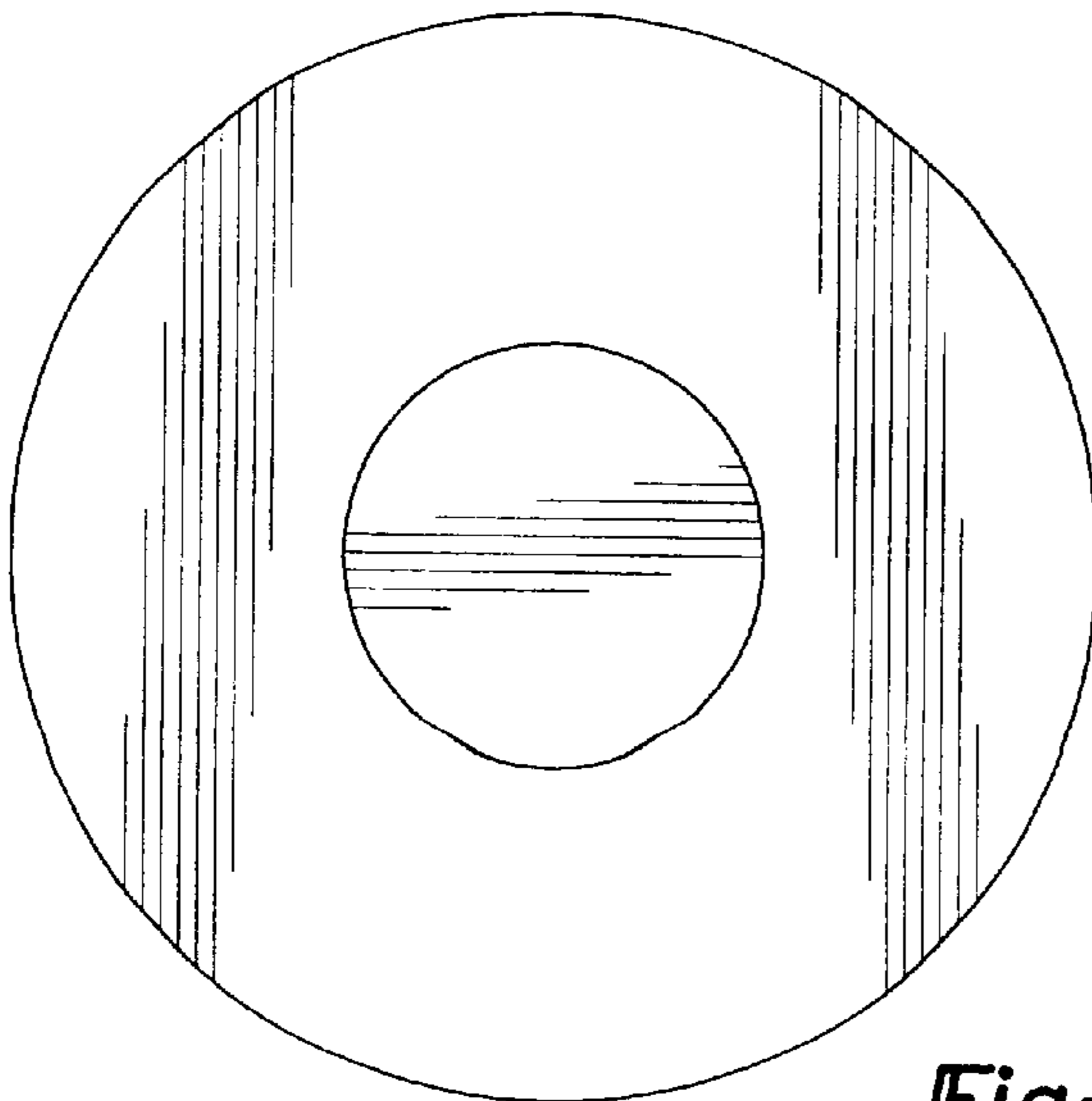


Fig-3

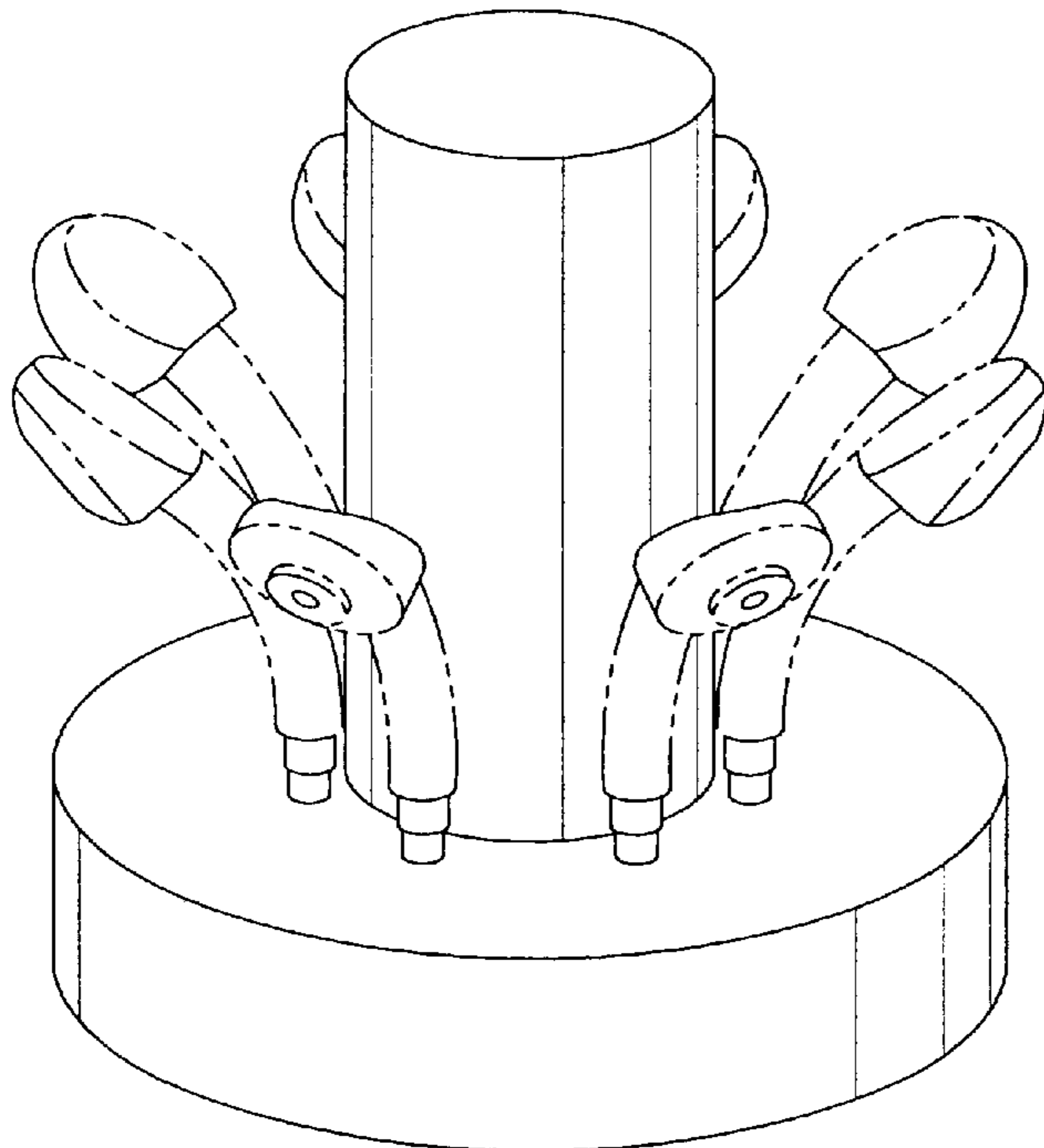


Fig-4

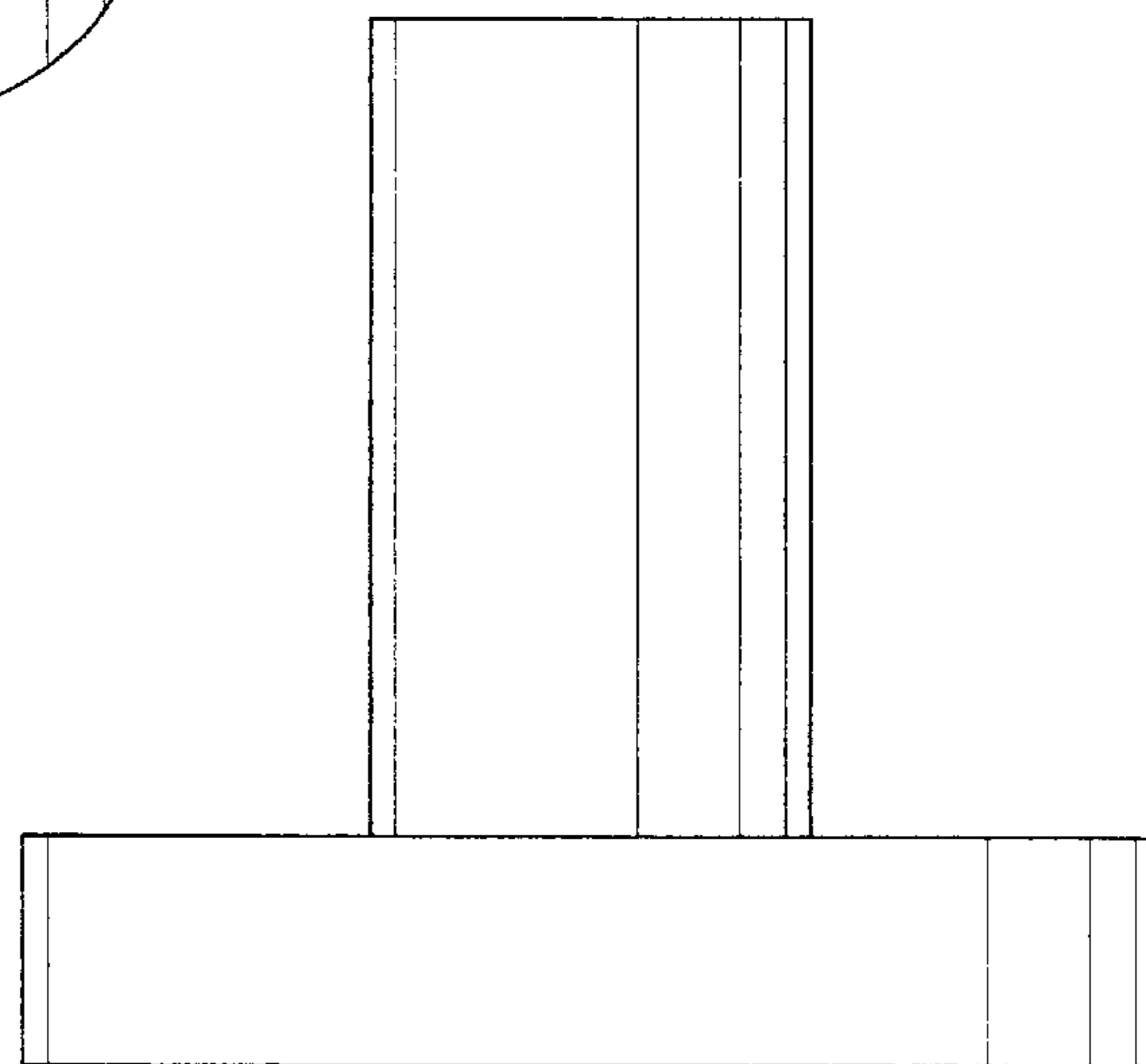


Fig-5

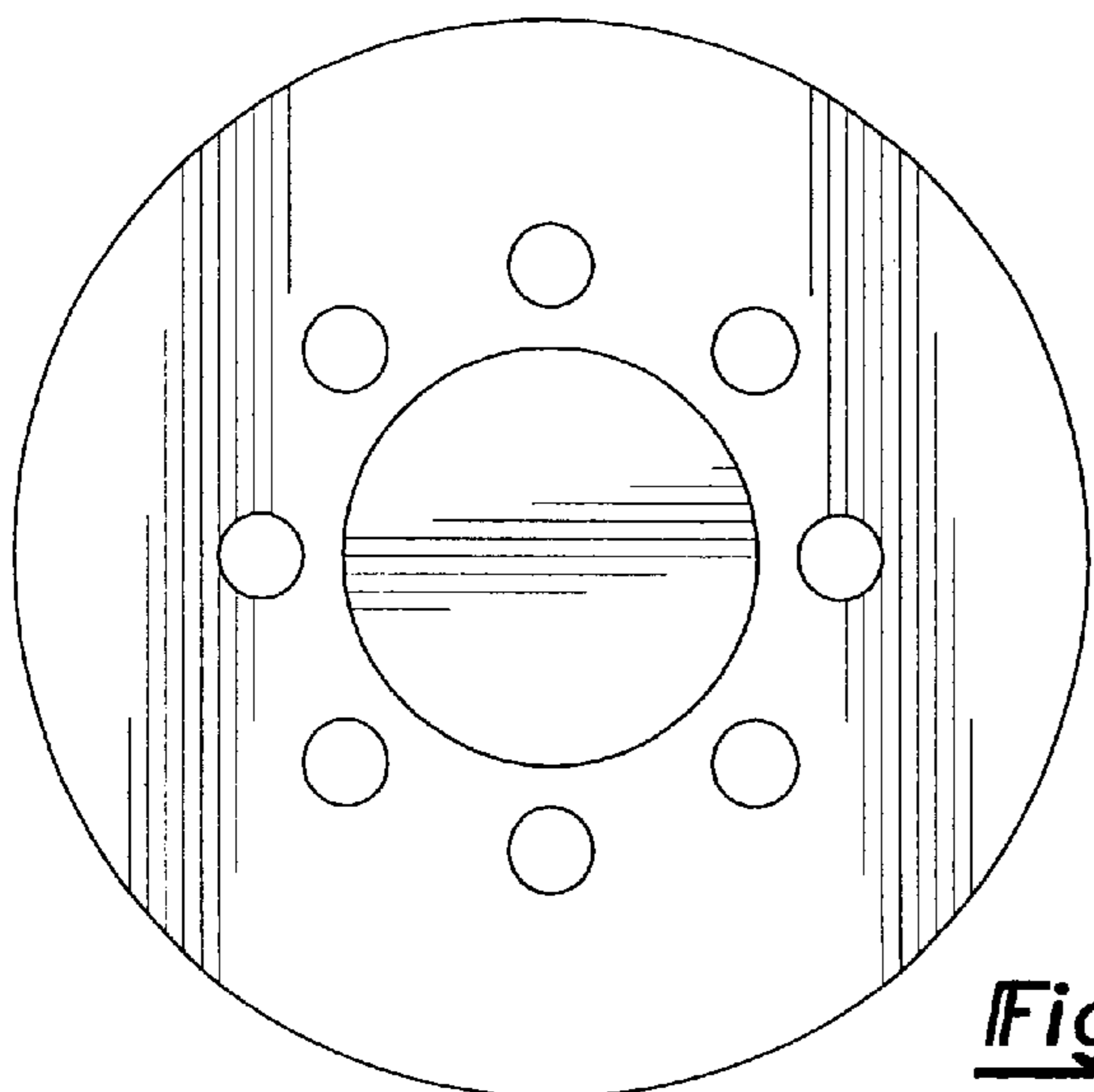


Fig-6