

US00D492135S1

(12) **United States Design Patent**
Anderson et al.

(10) **Patent No.:** **US D492,135 S**
(45) **Date of Patent:** **** Jun. 29, 2004**

- (54) **ONE DRAWER BASE CABINET**
- (75) Inventors: **Torrence Anderson**, Overland Park, KS (US); **Brian Moon**, DeKalb, IL (US)
- (73) Assignee: **Suncast Corporation**, Batavia, IL (US)
- (**) Term: **14 Years**
- (21) Appl. No.: **29/195,705**
- (22) Filed: **Dec. 15, 2003**
- (51) **LOC (7) Cl.** **06-04**
- (52) **U.S. Cl.** **D6/448**
- (58) **Field of Search** D6/432-448; 312/204, 312/213, 249.1, 249.8, 108

- D419,333 S * 1/2000 Verbeek et al. D6/445
- D423,814 S * 5/2000 Belka et al. D6/432
- D460,637 S * 7/2002 Grosfillex D6/446
- D460,886 S * 7/2002 Hashizume et al. D6/509

* cited by examiner

Primary Examiner—Cathron Brooks

(74) *Attorney, Agent, or Firm*—McHale & Slavin, P.A.

(57) **CLAIM**

The ornamental design for a one drawer base cabinet, as shown and described.

DESCRIPTION

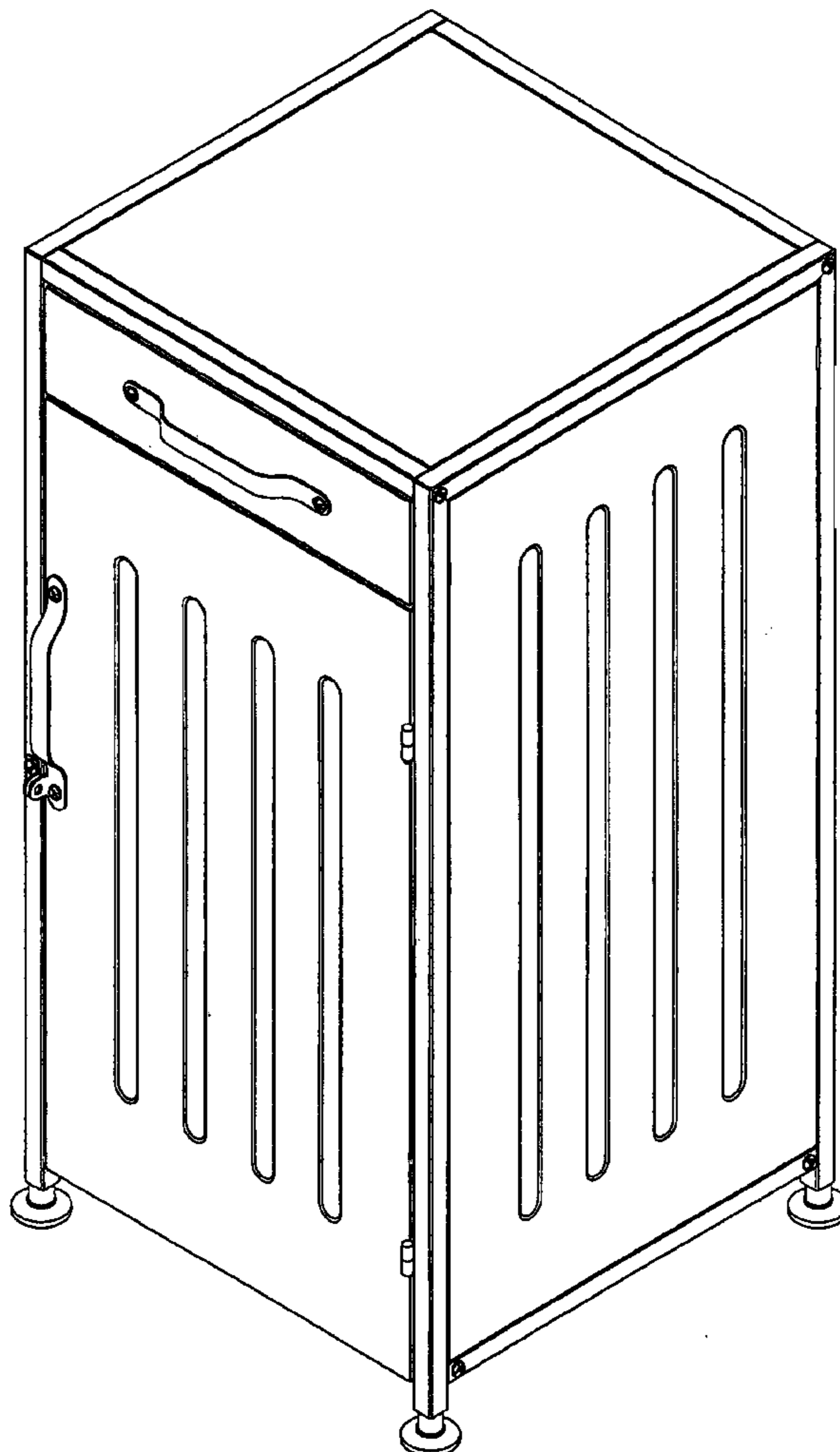
FIG. 1 is a perspective view of the one drawer base cabinet, of the instant invention;
FIG. 2 is a left side view thereof;
FIG. 3 is a right side view thereof;
FIG. 4 is a front plane view thereof;
FIG. 5 is a rear plane view thereof;
FIG. 6 is a top view thereof; and,
FIG. 7 is a bottom view thereof.

(56) **References Cited**

U.S. PATENT DOCUMENTS

- 5,310,254 A * 5/1994 Dallaire 312/213
- 5,372,415 A * 12/1994 Tisbo et al. 312/108
- D377,721 S * 2/1997 Pohlman D6/436
- 5,975,658 A * 11/1999 Verbeek et al. 312/209

1 Claim, 6 Drawing Sheets



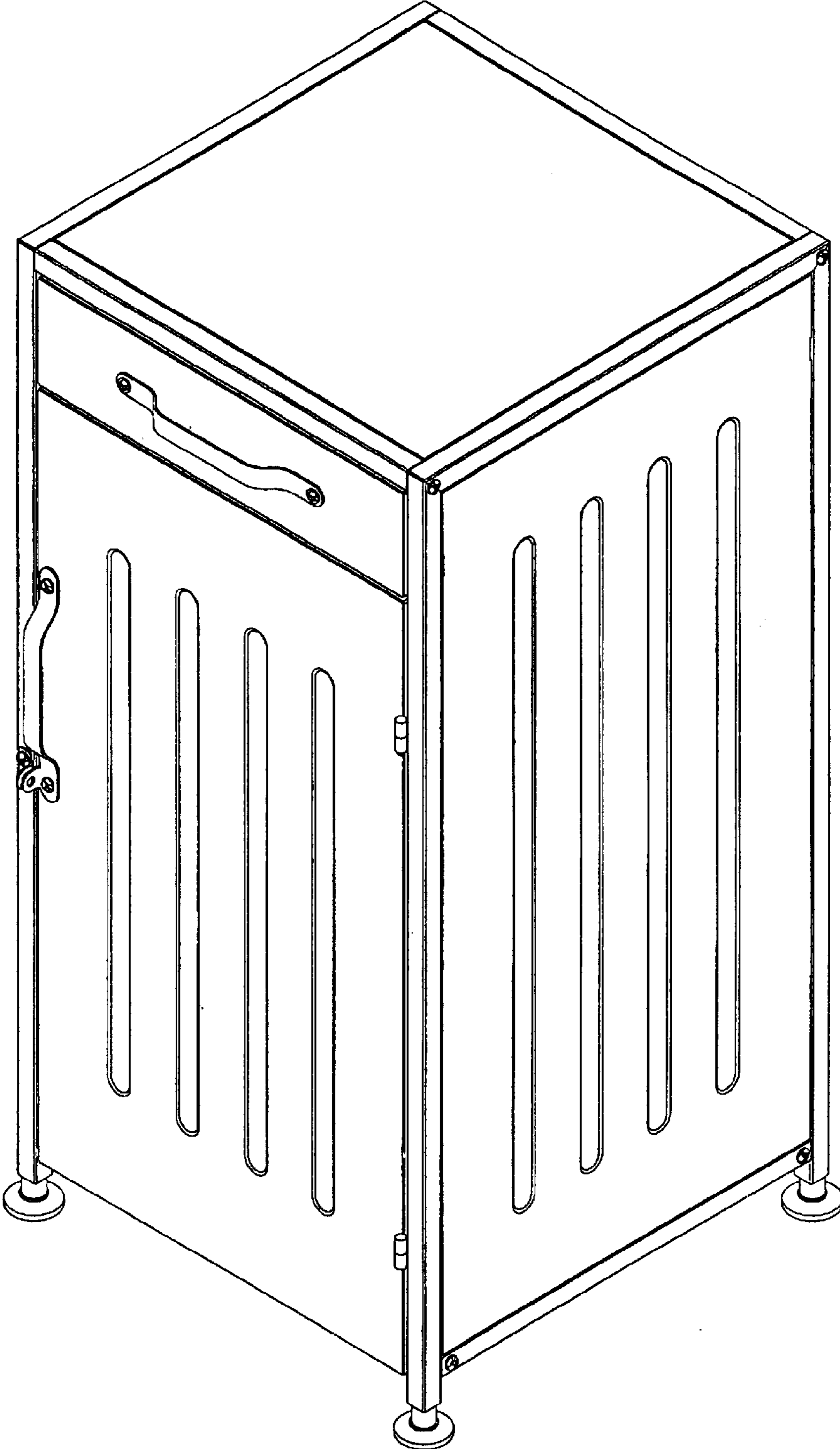


FIGURE 1

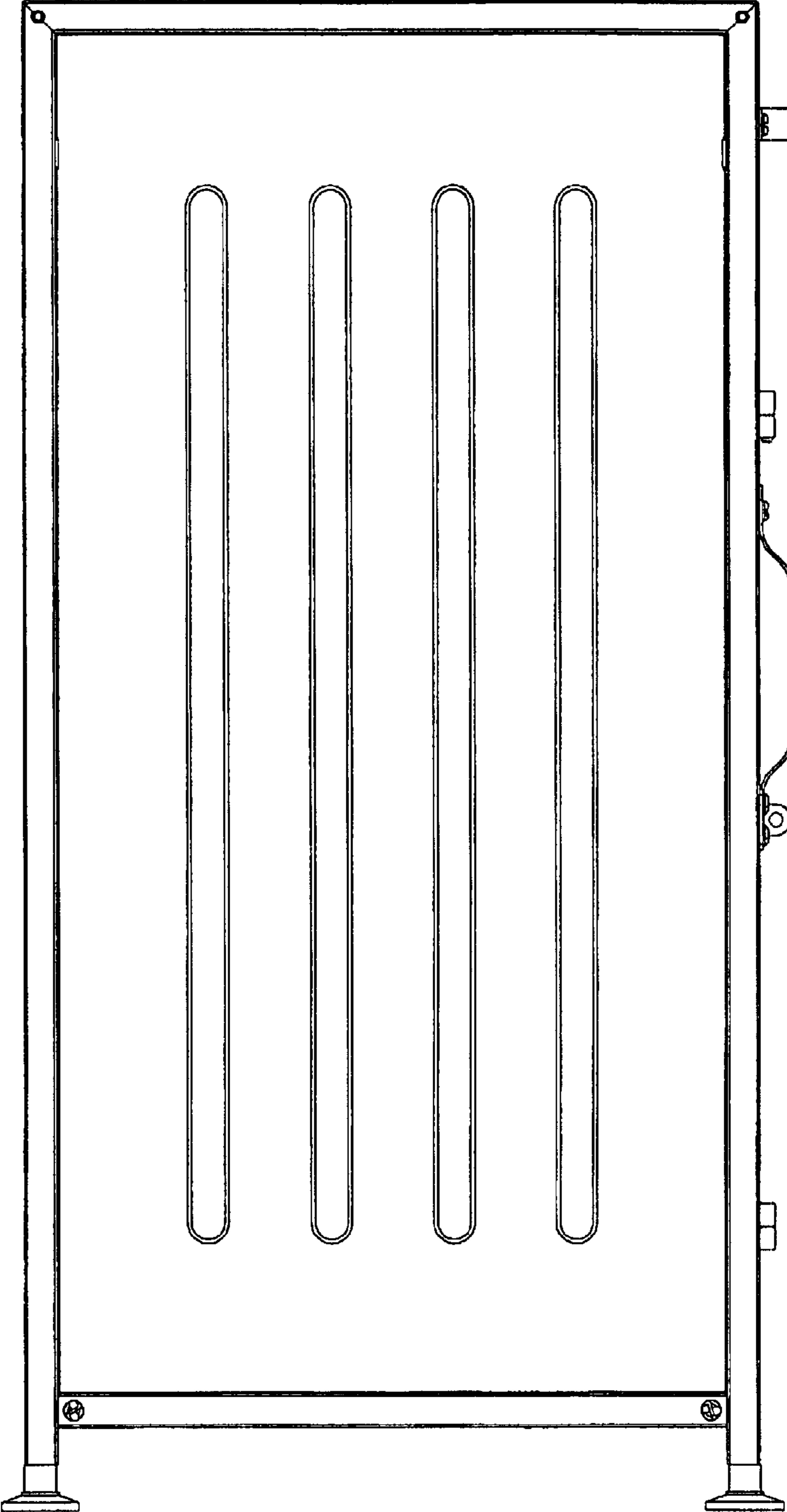


FIGURE 2

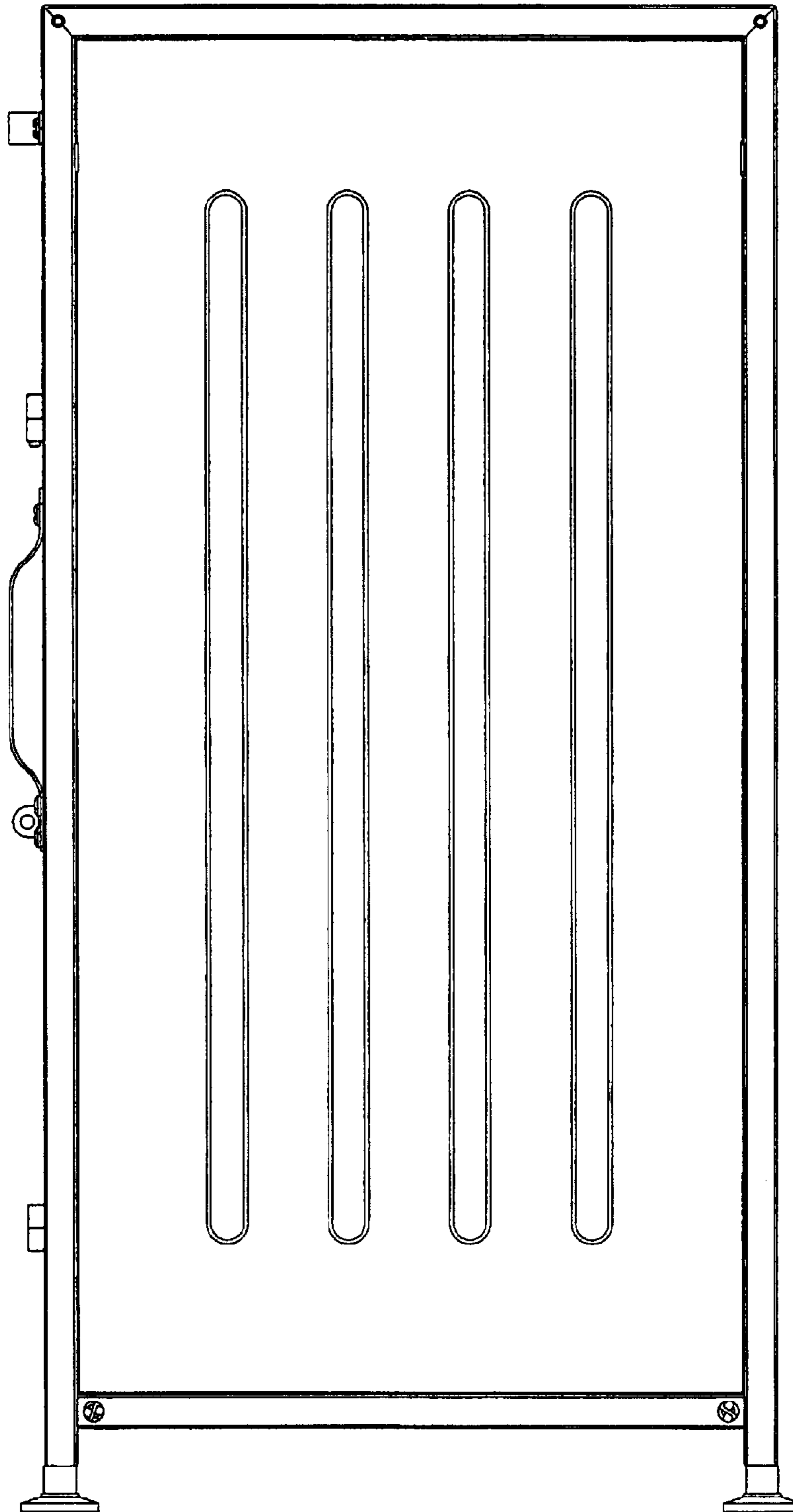


FIGURE 3

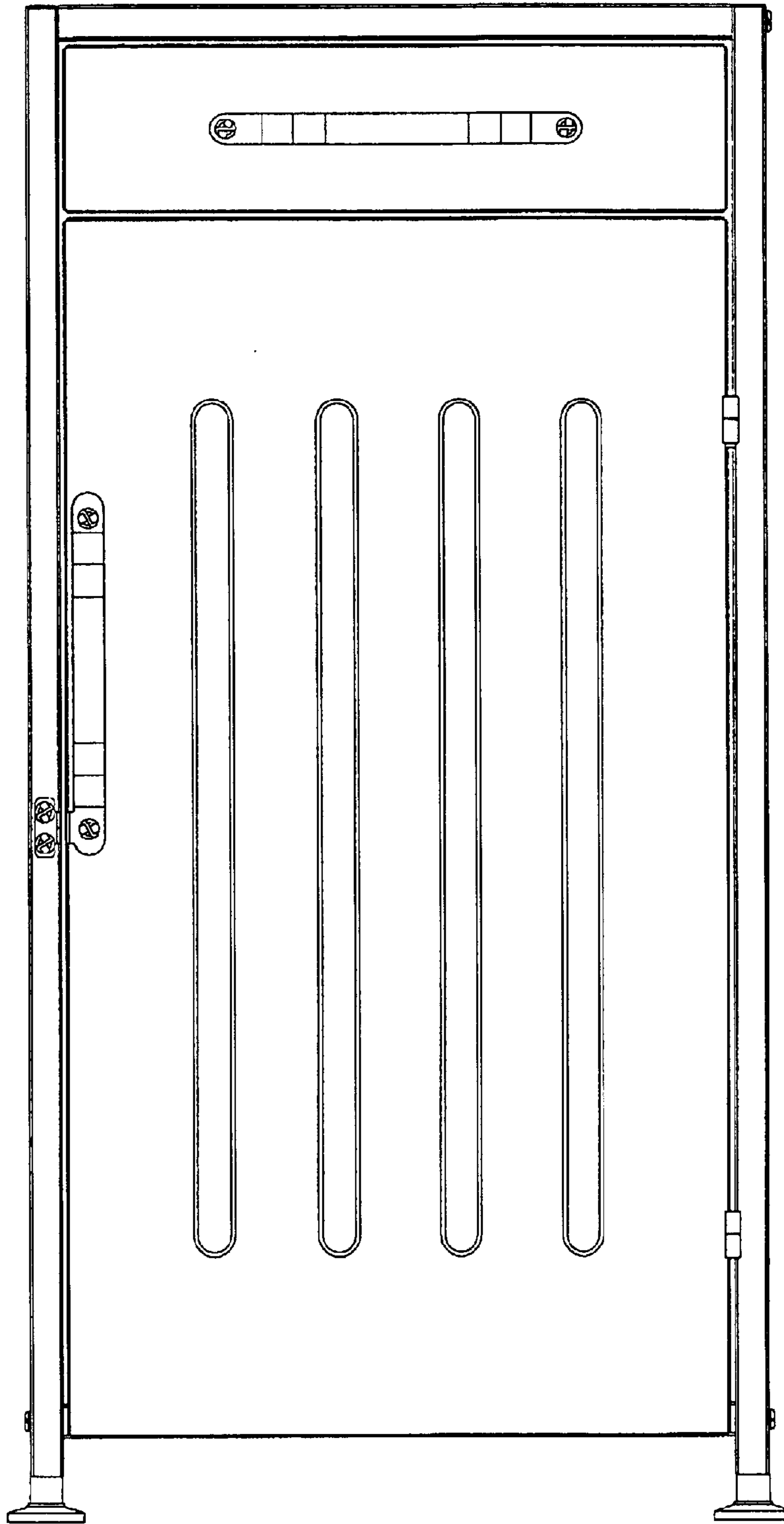


FIGURE 4

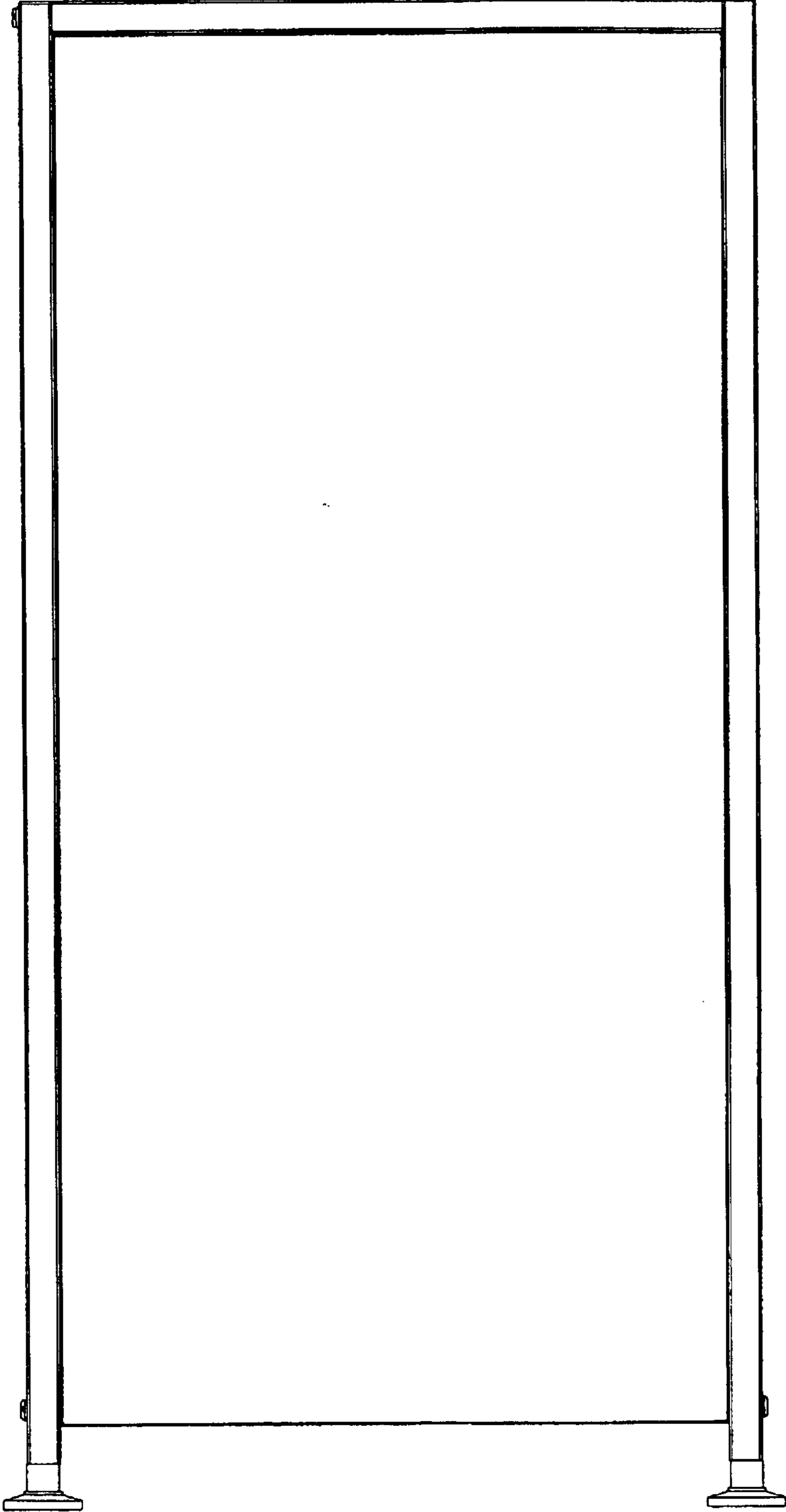


FIGURE 5

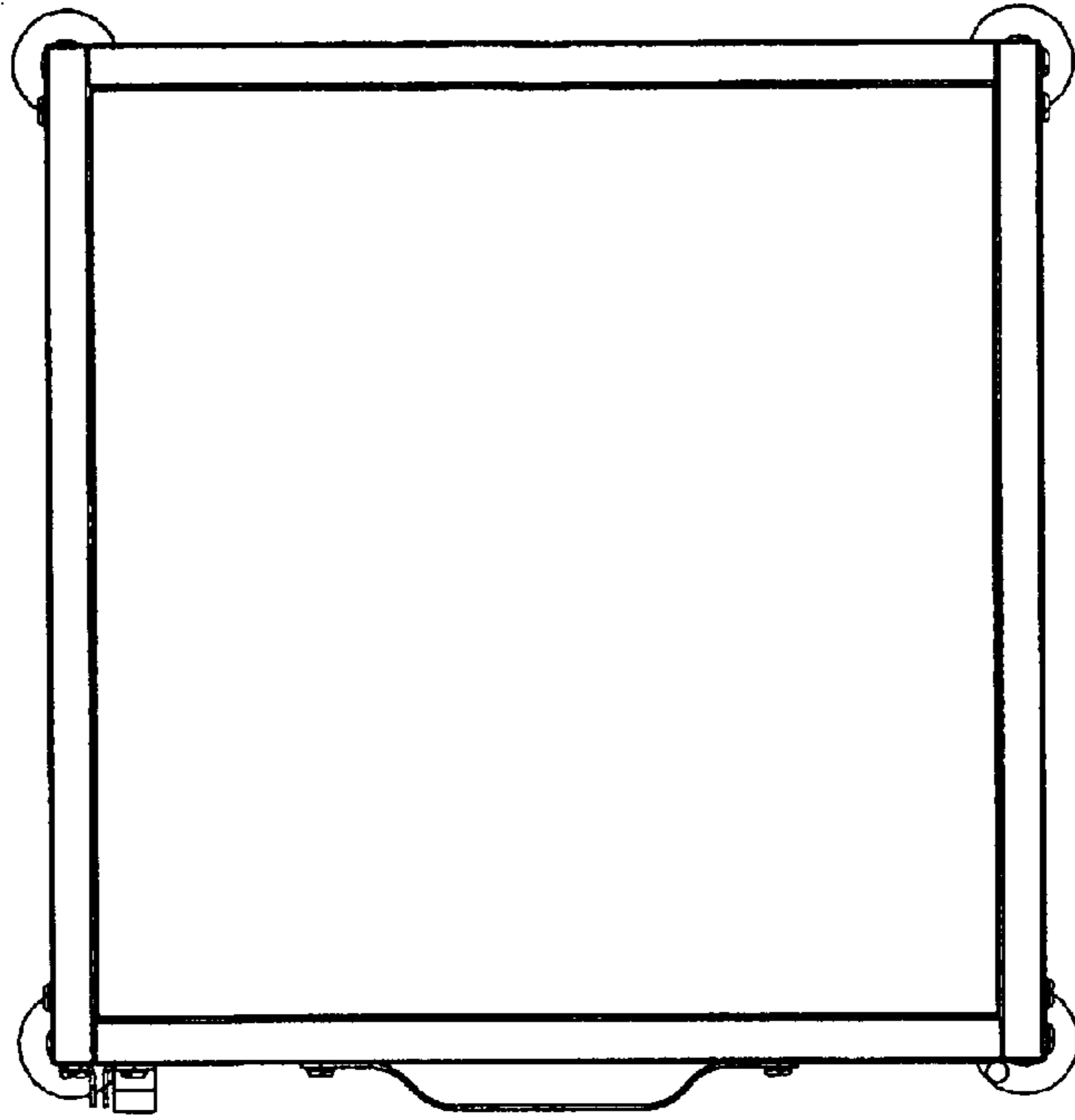


FIGURE 6

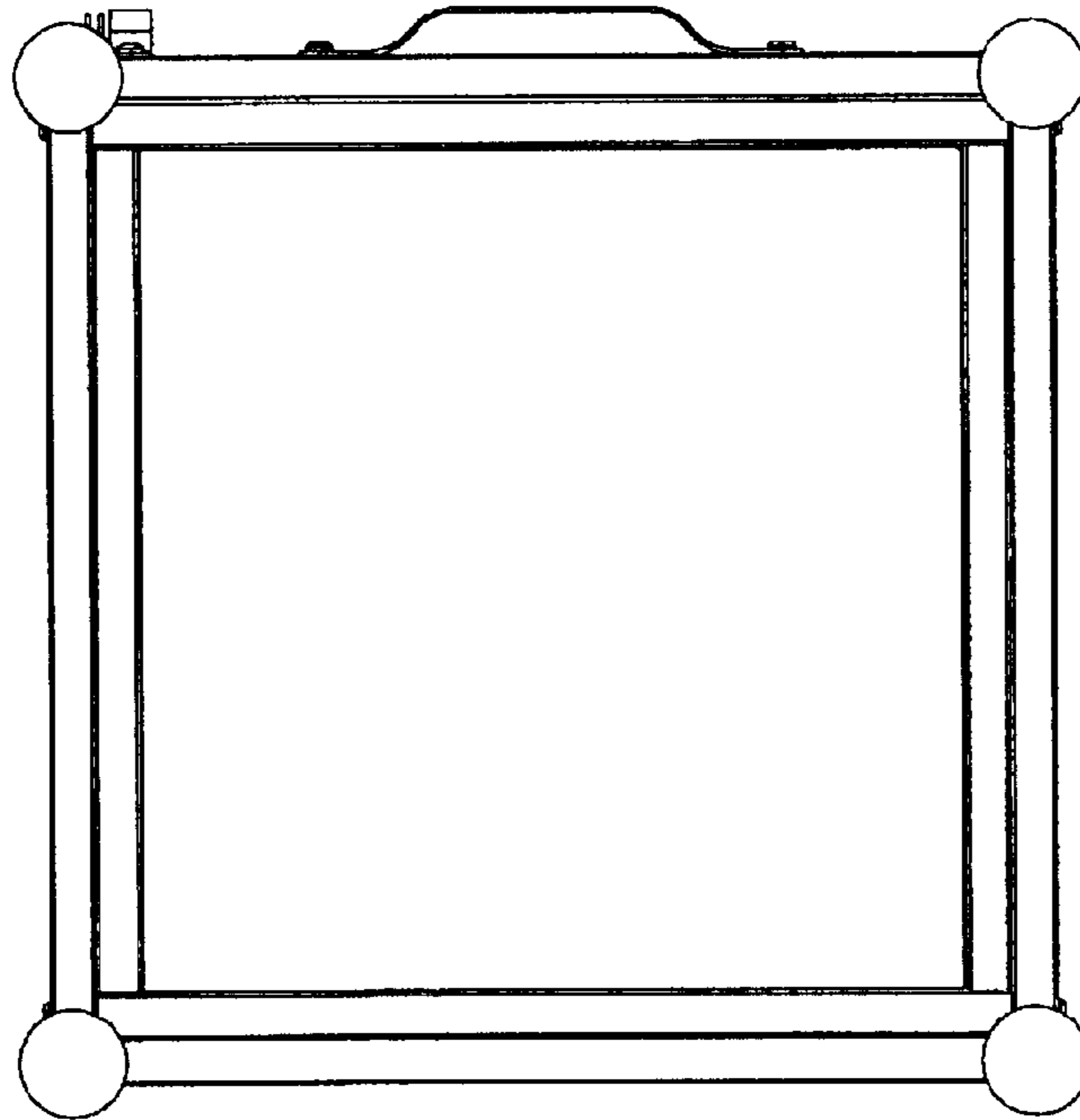


FIGURE 7