



US00D492133S1

(12) **United States Design Patent**
Richter

(10) **Patent No.:** **US D492,133 S**
(45) **Date of Patent:** **** Jun. 29, 2004**

(54) **VERSATILE SUPPORT**

(76) Inventor: **Grant Vincent Richter**, 36 Muraban Road, Dural, New South Wales (AU), 2158

(**) Term: **14 Years**

(21) Appl. No.: **29/176,458**

(22) Filed: **Feb. 20, 2003**

(30) **Foreign Application Priority Data**

Aug. 23, 2002 (AU) 2603/2002

(51) **LOC (7) Cl.** **06-03**

(52) **U.S. Cl.** **D6/419**

(58) **Field of Search** D6/300-303, 308-314, D6/419, 426, 511, 429; 248/441.1, 442.2, 444.1, 446, 451, 452, 460, 463

(56) **References Cited**

U.S. PATENT DOCUMENTS

- D218,980 S * 10/1970 Balkus D6/406.6
- 4,123,852 A * 11/1978 Zimowski 434/426
- D281,842 S * 12/1985 Blocklinger D6/419
- D281,937 S * 12/1985 Roczey D6/406.4
- D365,222 S * 12/1995 Mar D6/419

* cited by examiner

Primary Examiner—Janice E. Seeger
(74) *Attorney, Agent, or Firm*—Townsend and Townsend and Crew LLP; Guy W. Chambers

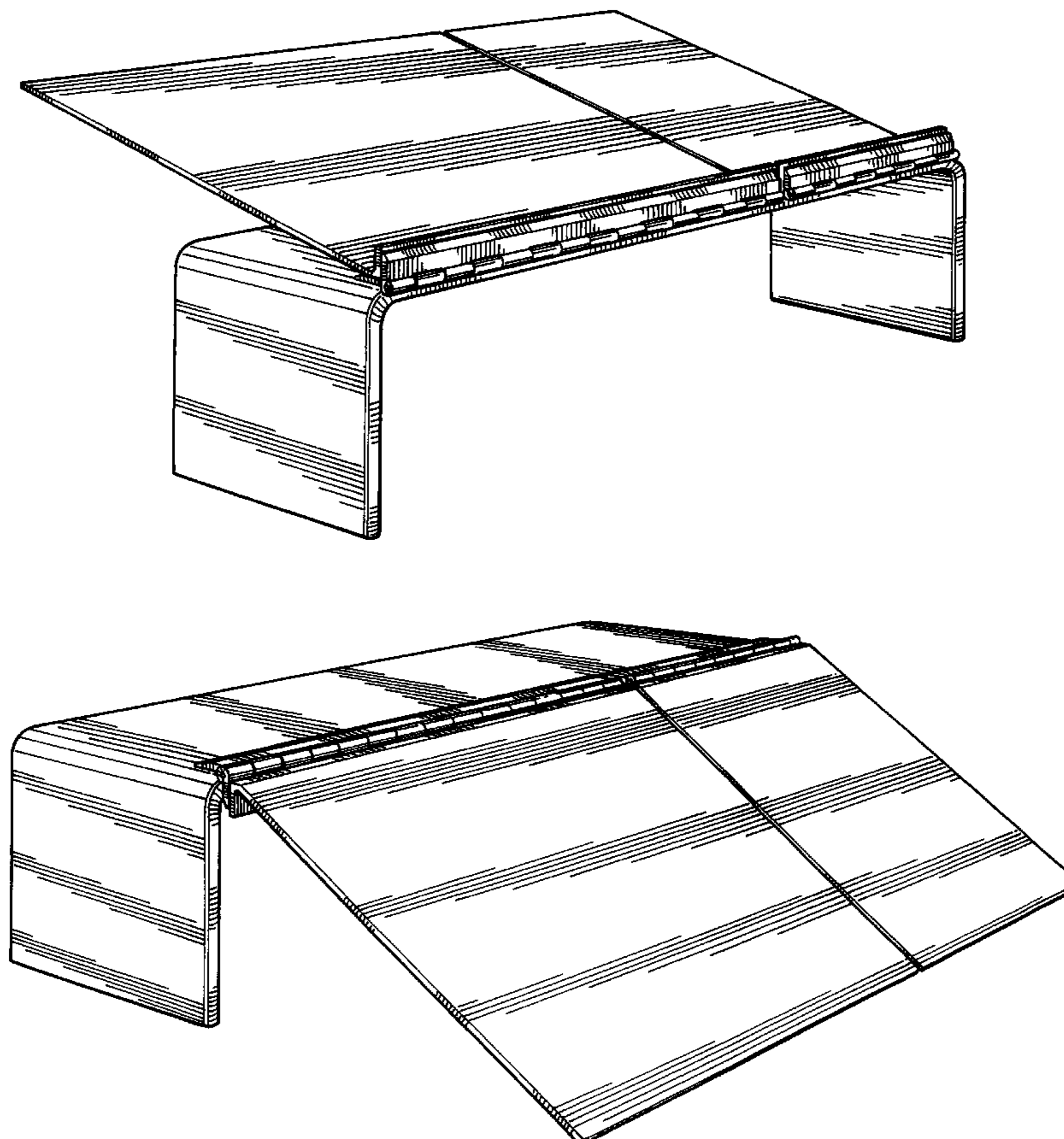
(57) **CLAIM**

The ornamental design for a versatile support, as shown and described.

DESCRIPTION

FIG. 1 is a perspective view of a versatile support showing a first configuration of my new design;
 FIG. 2 is a left side elevational view of a versatile support in its first configuration;
 FIG. 3 is a front elevational view of a versatile support in its first configuration;
 FIG. 4 is a top plan view of a versatile support in its first configuration;
 FIG. 5 is a rear elevational view of a versatile support in its first configuration;
 FIG. 6 is an inverted plan view of a versatile support in its first configuration; and,
 FIG. 7 is a perspective view of a versatile support in its second configuration.

1 Claim, 4 Drawing Sheets



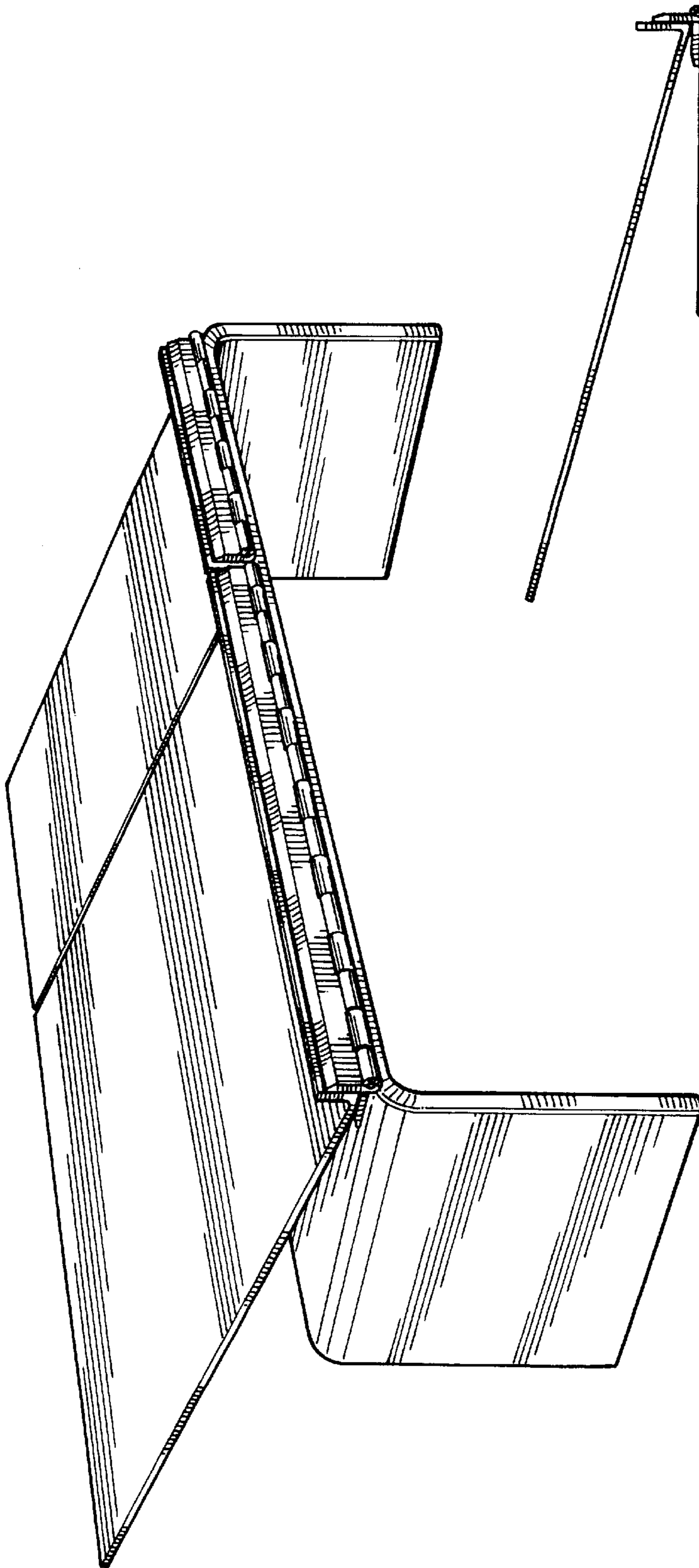


FIG. 1

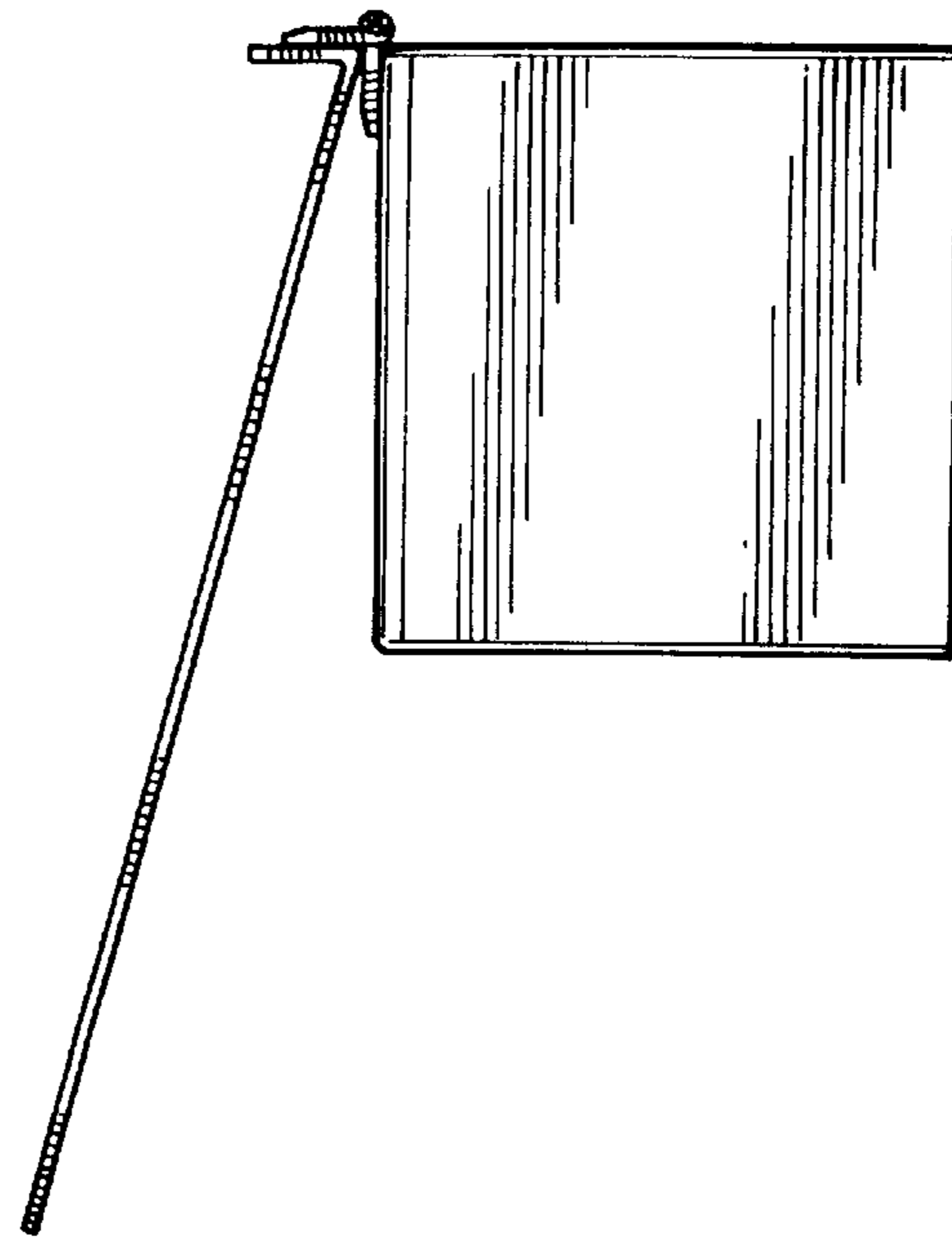


FIG. 2



FIG. 3

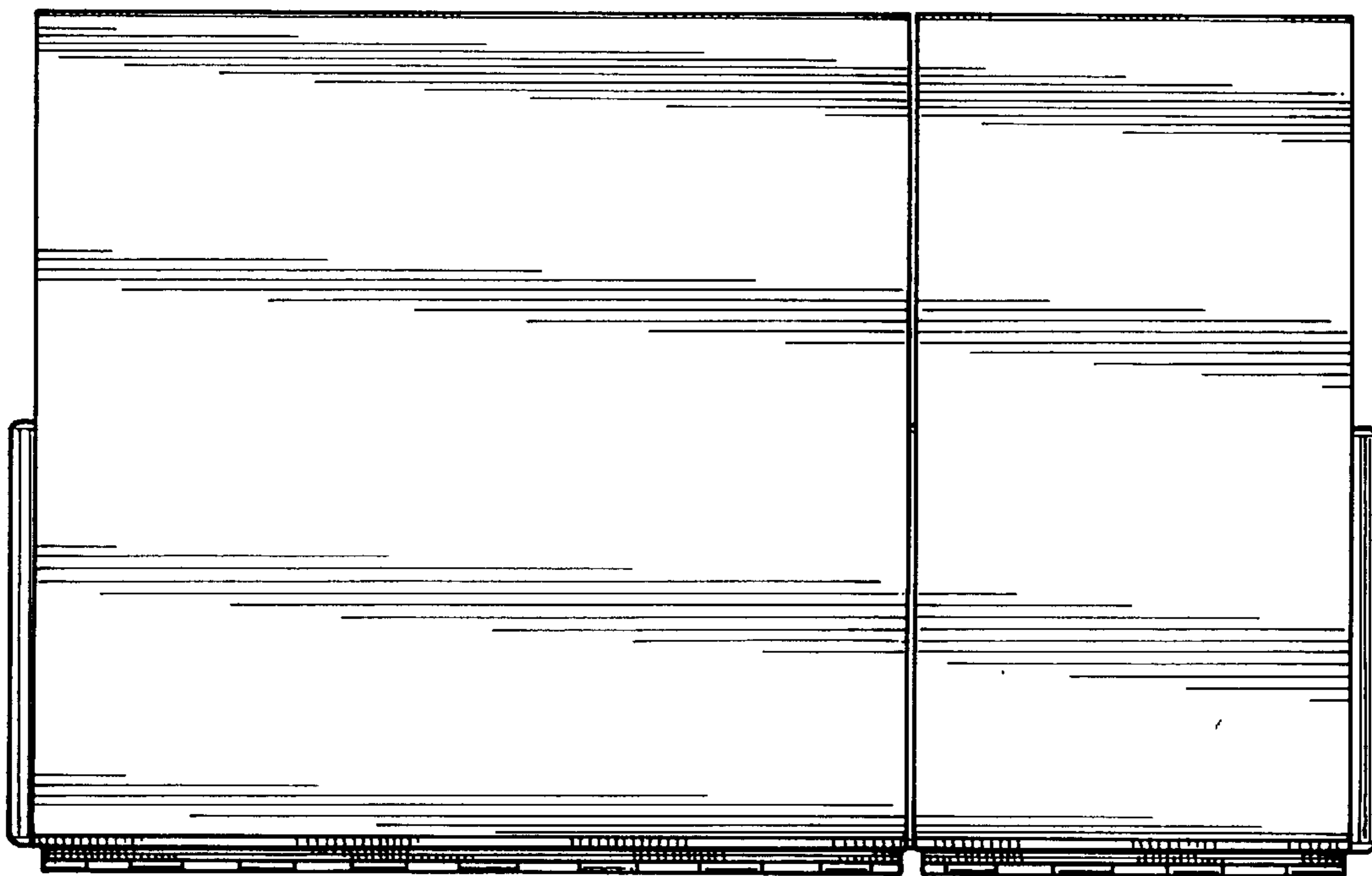


FIG. 4

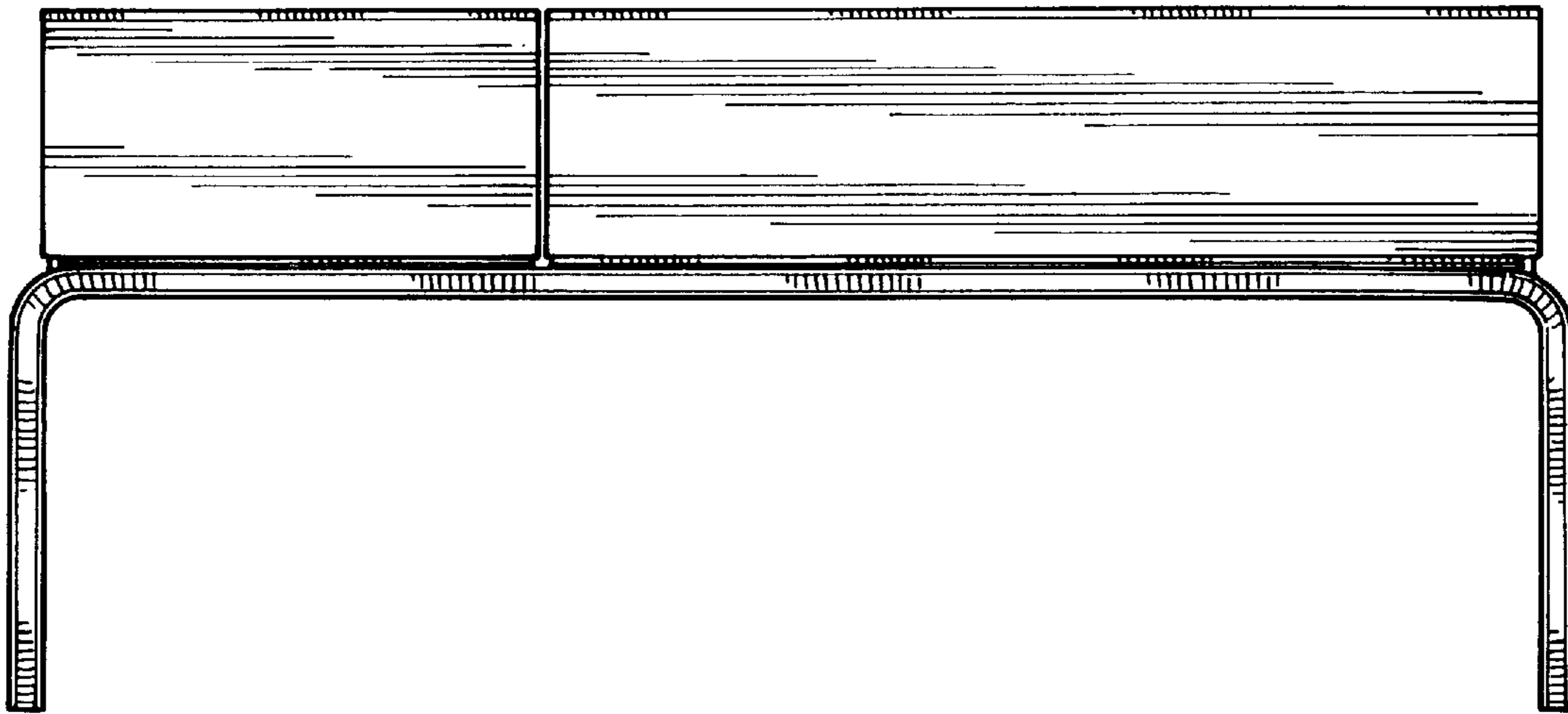


FIG. 5

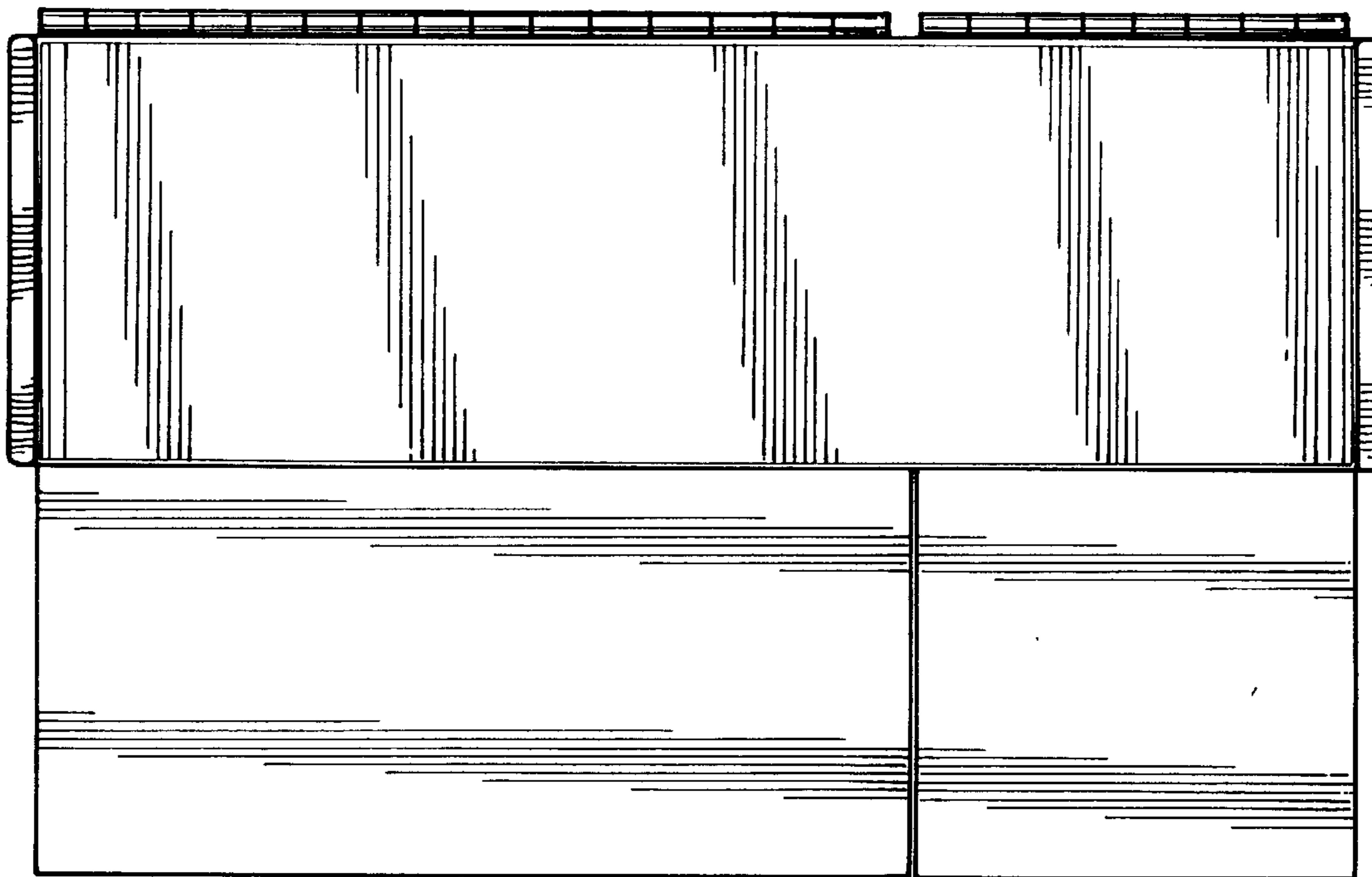


FIG. 6

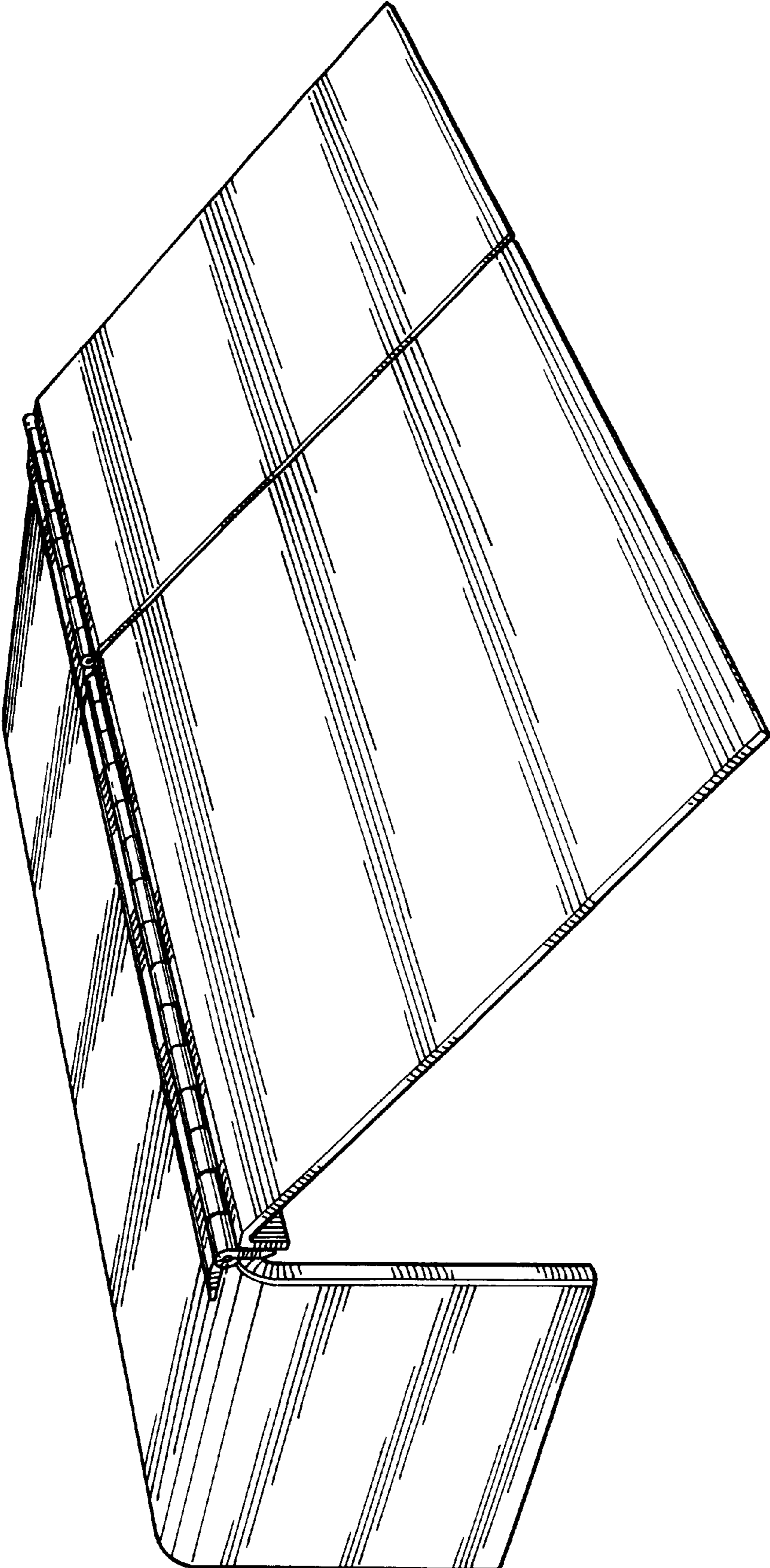


FIG. 7