

US00D492132S1

(12) **United States Design Patent** (10) **Patent No.:** **US D492,132 S**
Pappas (45) **Date of Patent:** **** Jun. 29, 2004**

(54) **BENCH**

(76) Inventor: **Mark Pappas**, P.O. Box 2458, Rancho Mirage, CA (US) 92270-1087

(**) Term: **14 Years**

(21) Appl. No.: **29/176,274**

(22) Filed: **Feb. 18, 2003**

(51) **LOC (7) Cl.** **06-01**

(52) **U.S. Cl.** **D6/381; D6/375**

(58) **Field of Search** D6/375, 334, 335, D6/336, 356, 364, 370, 371, 373, 379, 380, 381, 500, 501, 502; 5/12.1; 297/232

(56) **References Cited**

U.S. PATENT DOCUMENTS

D122,598 S	*	9/1940	Henkel et al.	D6/375
D216,115 S	*	11/1969	Suzuki et al.	D6/370
D263,353 S	*	3/1982	Beals	D6/370
D289,349 S	*	4/1987	Vanderminden	D6/379
D294,782 S	*	3/1988	Balderi	D6/373
D341,267 S	*	11/1993	Caldwell	D6/379
D365,455 S	*	12/1995	Tolar	D6/381
D381,536 S	*	7/1997	Kane	D6/370
D468,550 S	*	1/2003	Pappas	D6/381
D473,063 S	*	4/2003	Pappas	D6/381

OTHER PUBLICATIONS

Hille Executive Furniture and Seating catalog, 1991, Arconas, Toro seat.*
Wabash Valley 1998 Plastisol Coated Furniture Catalog, Bench P2546 p. 30 and Bench CL 7031 p. 68.*

Sweet's General Building and Renovation, 1993 catalog, vol. 2, 02870, Style T-200 Bench on p. 3 and Style MH-B Benc on p. 11.*

LFI Landscape Forms catalog, 02870 LFI, Jan. 1989, 3 seat Bench on cover and Bench PK3005-BS-72, XD-E on p. 6.*

* cited by examiner

Primary Examiner—James Gandy

Assistant Examiner—Elizabeth Albert

(74) *Attorney, Agent, or Firm*—Thomas M. Freiburger

(57) **CLAIM**

The ornamental design for a bench, substantially as shown and described.

DESCRIPTION

FIG. 1 is a perspective view of a bench showing my new design;

FIG. 2 is a right side view, the left side view being a mirror image thereof;

FIG. 3 is a top plan view thereof;

FIG. 4 is a front elevation view thereof;

FIG. 5 is a bottom plan view thereof; and,

FIG. 6 is a back elevation view thereof.

The broken lines showing environment in the drawings are for illustrative purposes only and form no part of the claimed design.

1 Claim, 2 Drawing Sheets

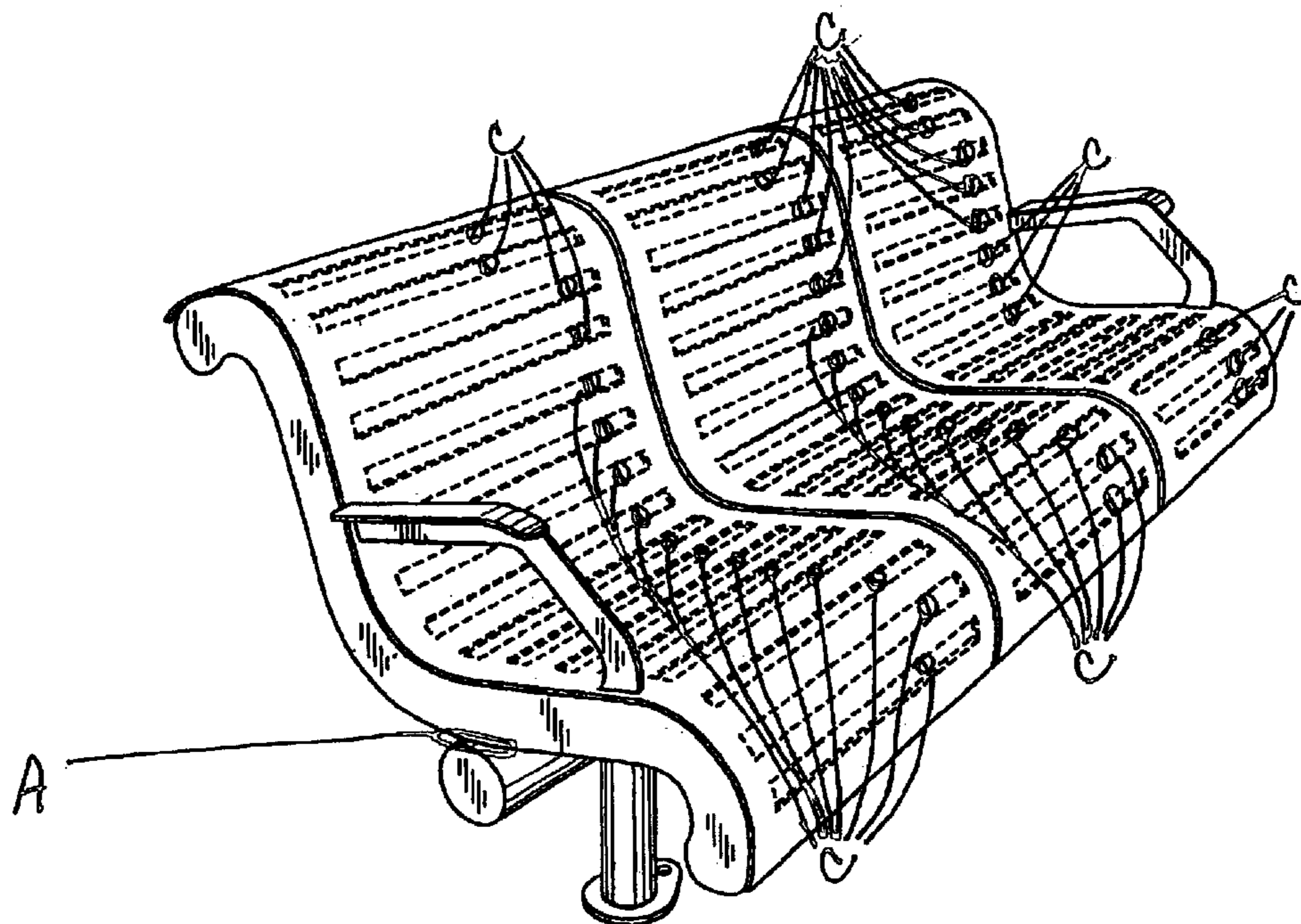


FIG. 1

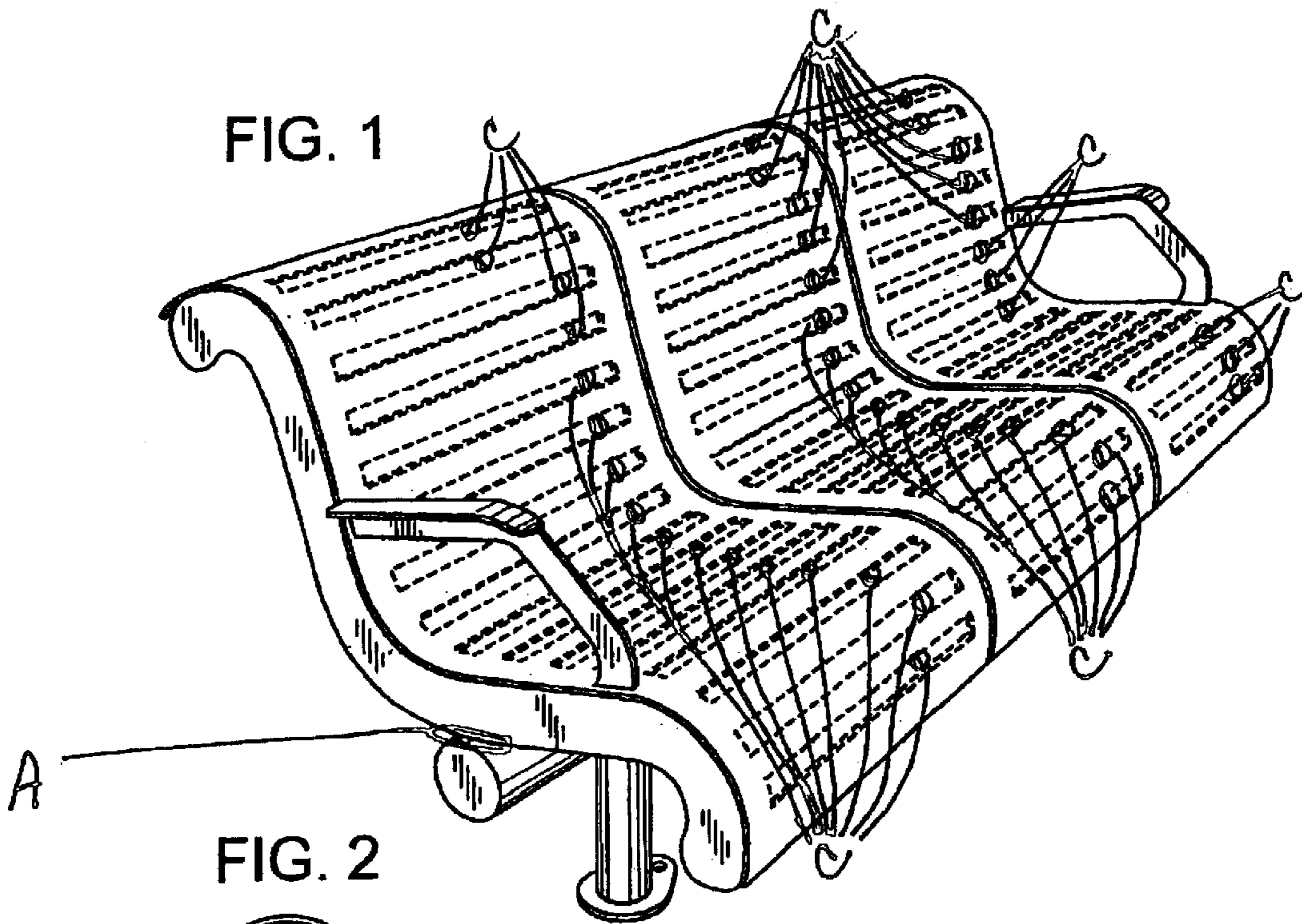


FIG. 2

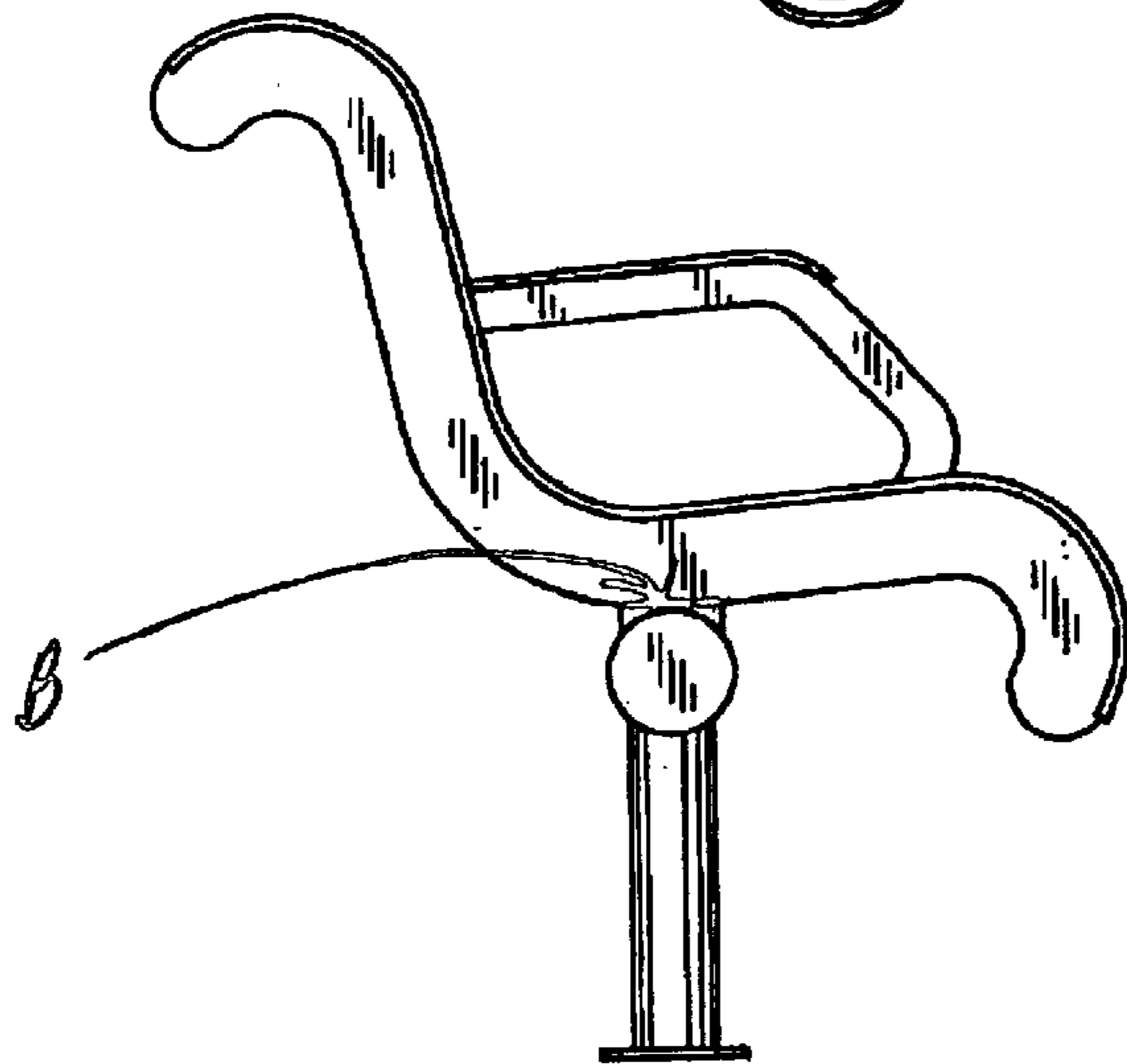


FIG. 3

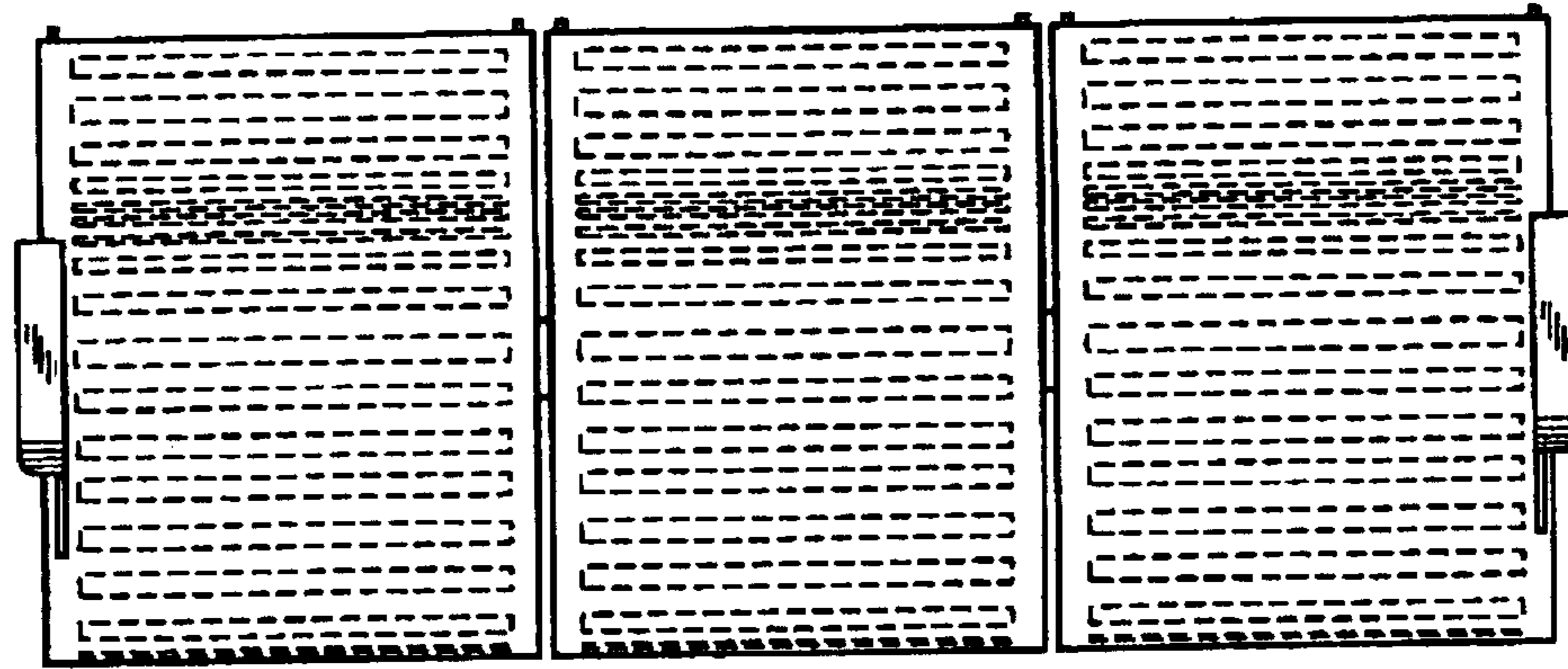


FIG. 4

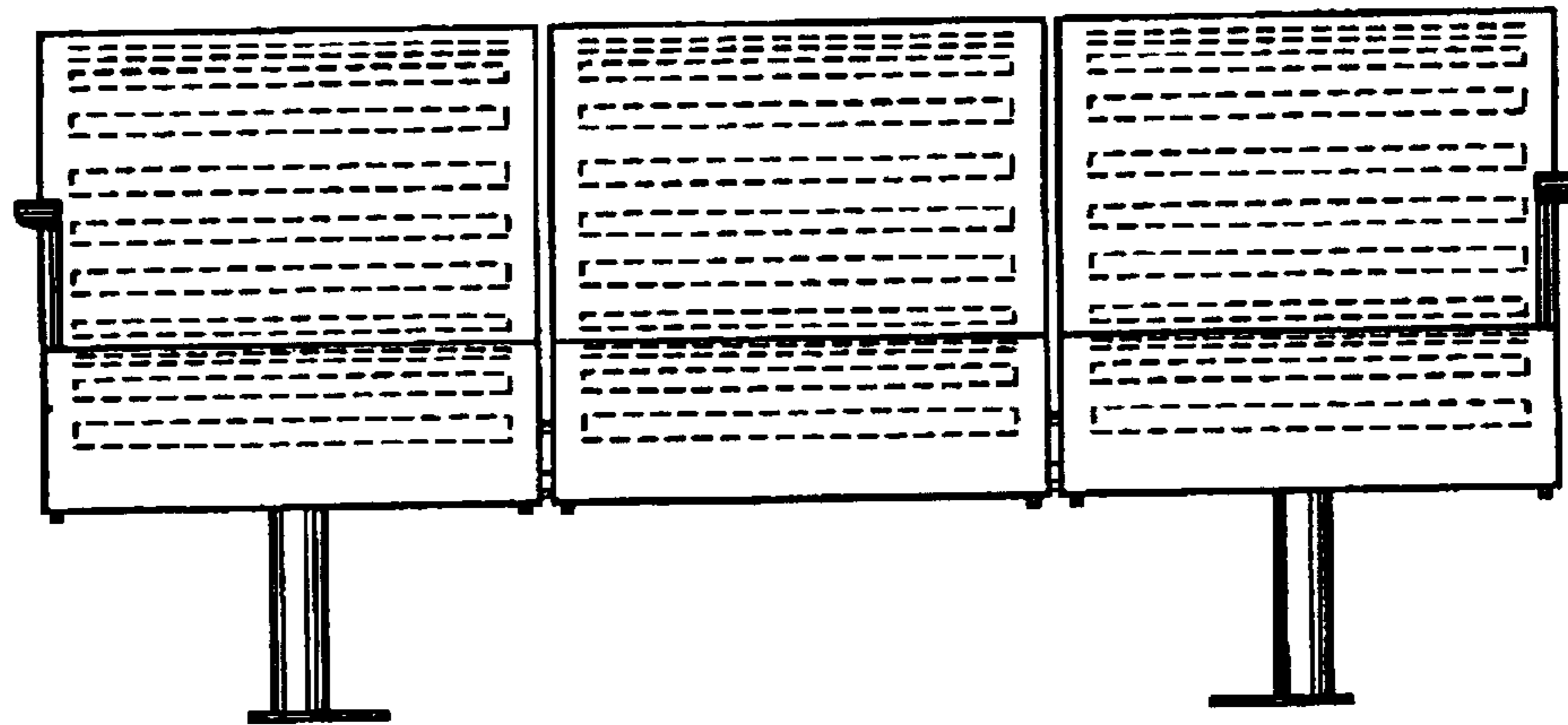


FIG. 5

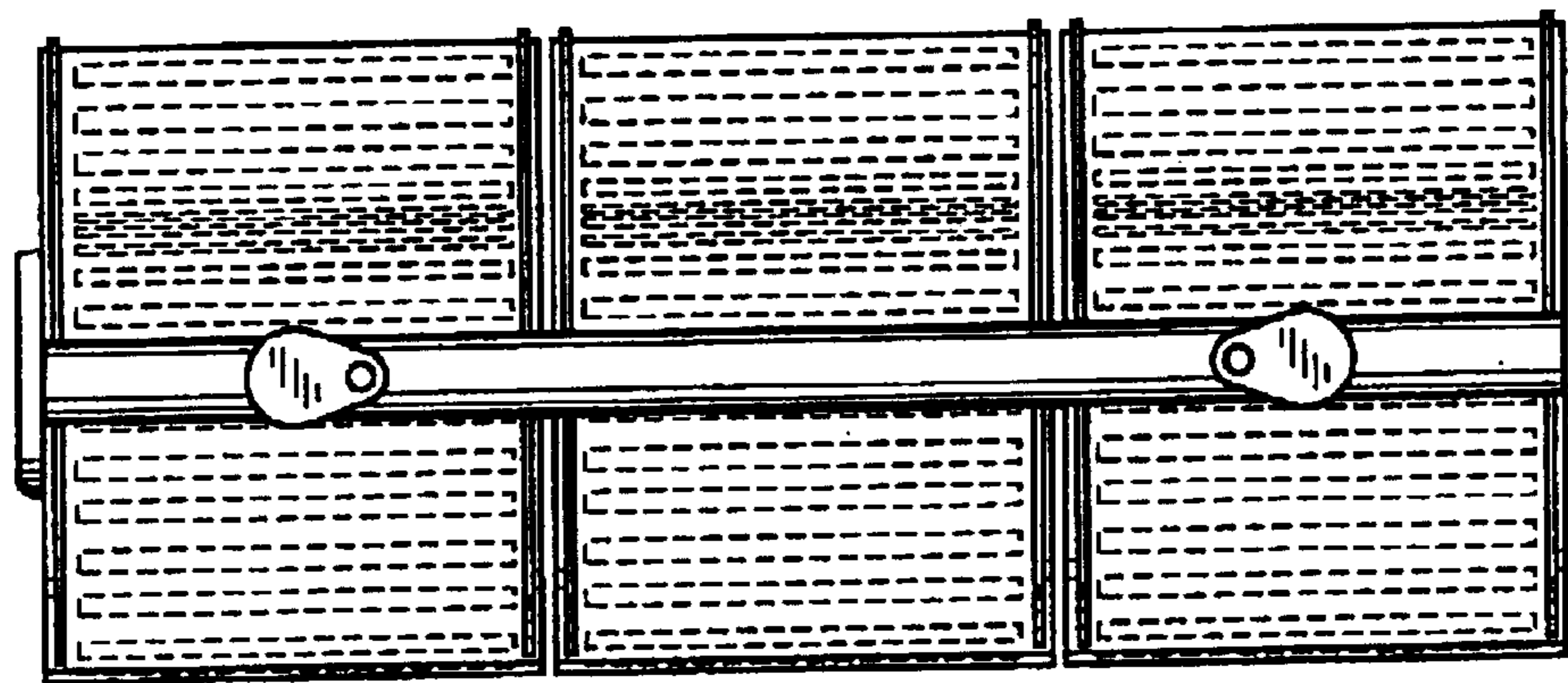


FIG. 6

