

US00D492129S1

(12) **United States Design Patent** (10) **Patent No.:** **US D492,129 S**  
**Noll** (45) **Date of Patent:** **\*\* Jun. 29, 2004**

(54) **WOODEN GLIDER**

(76) Inventor: **Ronald C. Noll**, 25 Fairway Trail,  
Moreland Hills, OH (US) 44022

(\*\*) Term: **14 Years**

(21) Appl. No.: **29/185,677**

(22) Filed: **Jul. 1, 2003**

**Related U.S. Application Data**

(63) Continuation of application No. 29/175,976, filed on Feb. 13, 2003.

(51) **LOC (7) Cl.** ..... **06-01**

(52) **U.S. Cl.** ..... **D6/344**

(58) **Field of Search** ..... D6/334, 335, 344,  
D6/346, 347, 370, 376, 381, 500-502;  
297/232, 273, 277, 280-282, 287, 452.2,  
452.63; 472/118, 125

D400,720 S	11/1998	Pomeroy et al.	
D403,516 S	1/1999	Noll	
D406,948 S	3/1999	Noll	
D410,340 S	6/1999	Pomeroy et al.	
D417,559 S	12/1999	Pomeroy et al.	
D423,801 S	5/2000	Noll	
D432,323 S	10/2000	Pomeroy et al.	
D434,573 S	12/2000	Noll	
6,199,950 B1	3/2001	Noll	
D443,425 S	6/2001	Pomeroy et al.	
D444,306 S	7/2001	Jaisinghani	
D444,635 S	7/2001	Noll	
D449,454 S	10/2001	Pomeroy et al.	
D450,193 S	11/2001	Pomeroy et al.	
D450,937 S	11/2001	Pomeroy et al.	
D467,439 S	12/2002	Noll	
D467,740 S	12/2002	Noll	
D472,744 S	* 4/2003	Noll	..... D6/500
D475,540 S	* 6/2003	Pomeroy et al.	..... D6/344
D475,541 S	* 6/2003	Noll	..... D6/344
D477,468 S	* 7/2003	Noll	..... D6/344

\* cited by examiner

(56) **References Cited**

**U.S. PATENT DOCUMENTS**

3,994,468 A	11/1976	Carter et al.
4,213,650 A	7/1980	Sroub
D290,911 S	7/1987	Pomeroy et al.
D298,490 S	11/1988	Pomeroy et al.
4,796,949 A	1/1989	Boyce
D307,361 S	4/1990	Pomeroy et al.
D307,362 S	4/1990	Pomeroy et al.
D307,523 S	5/1990	Pomeroy et al.
D310,604 S	9/1990	Pomeroy et al.
D325,823 S	5/1992	Pomeroy et al.
D328,821 S	8/1992	Wooding et al.
D334,485 S	4/1993	Pomeroy et al.
D336,788 S	6/1993	Vasquez
D349,818 S	8/1994	Noll
D350,855 S	9/1994	Pomeroy et al.
D361,673 S	8/1995	Pomeroy et al.
D362,349 S	9/1995	Pomeroy et al.
D365,692 S	1/1996	Pomeroy et al.
5,667,273 A	9/1997	Noll
D399,064 S	10/1998	Noll
D399,065 S	10/1998	Noll

*Primary Examiner*—Stacia Cadmus

*Assistant Examiner*—Mimosa De

(74) *Attorney, Agent, or Firm*—Pearne & Gordon LLP

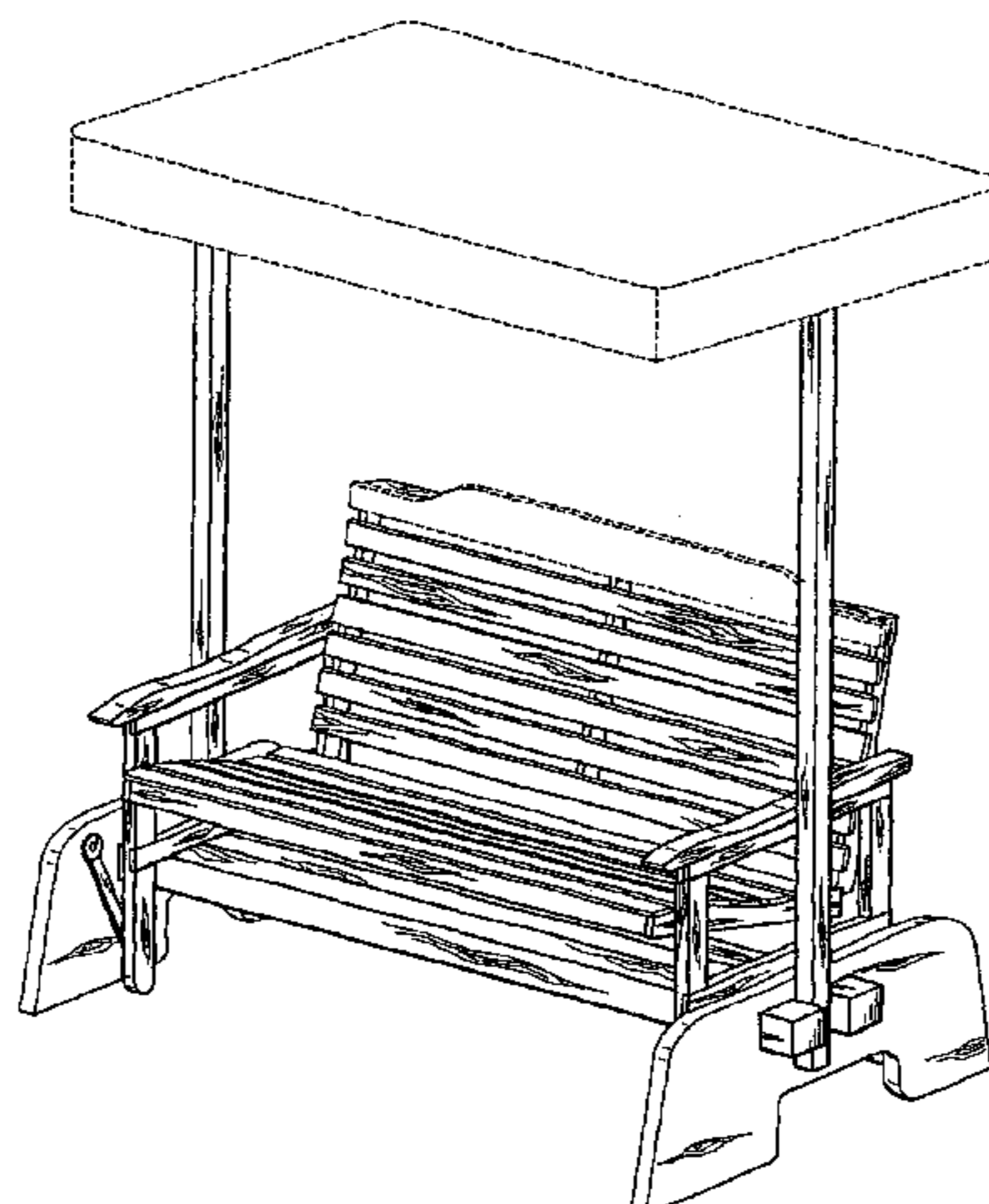
(57) **CLAIM**

The ornamental design for a wooden glider, as shown and described.

**DESCRIPTION**

FIG. 1 is a perspective view of a wooden glider according to the present invention;  
 FIG. 2 is a front elevational view of the wooden glider of FIG. 1;  
 FIG. 3 is a right side elevational view of the wooden glider of FIG. 1, the left side being a mirror image thereof;  
 FIG. 4 is a rear elevational view of the wooden glider of FIG. 1; and,  
 FIG. 5 is bottom view of the wooden glider of FIG. 1.  
 The broken lines shown in the drawing are for illustrative purposes only and form no part of the claimed design.

**1 Claim, 4 Drawing Sheets**



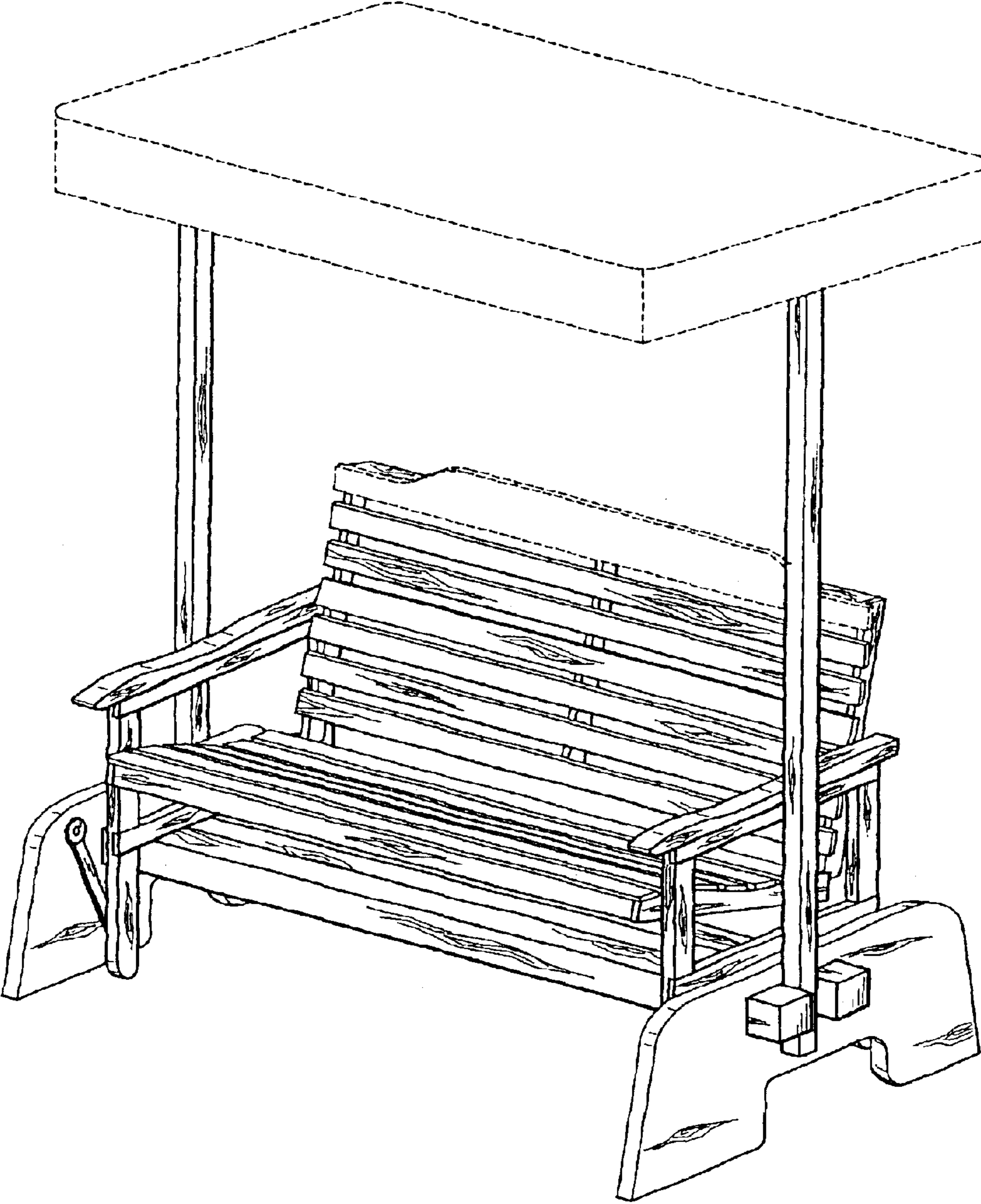


FIG. 1

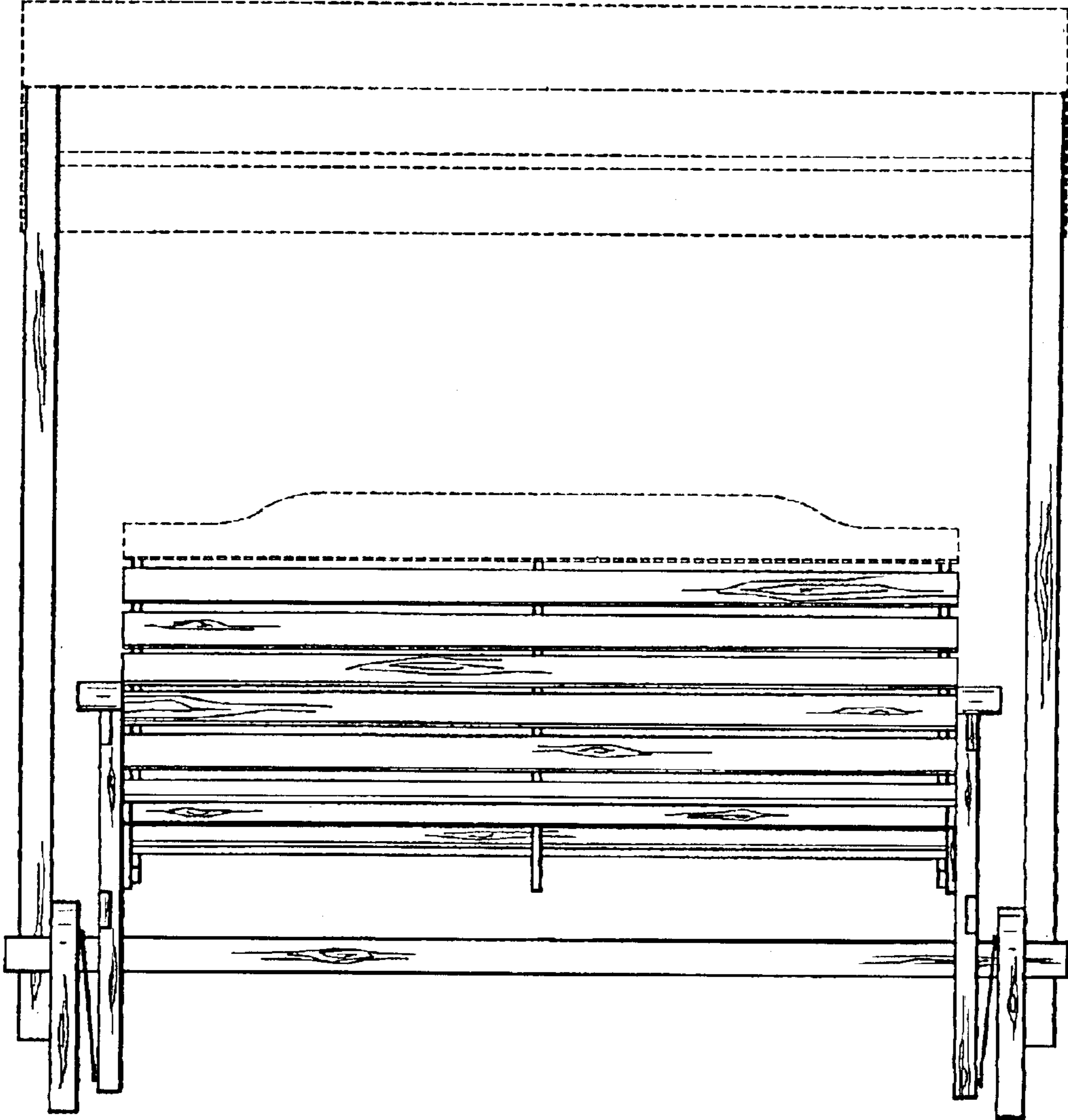


FIG. 2

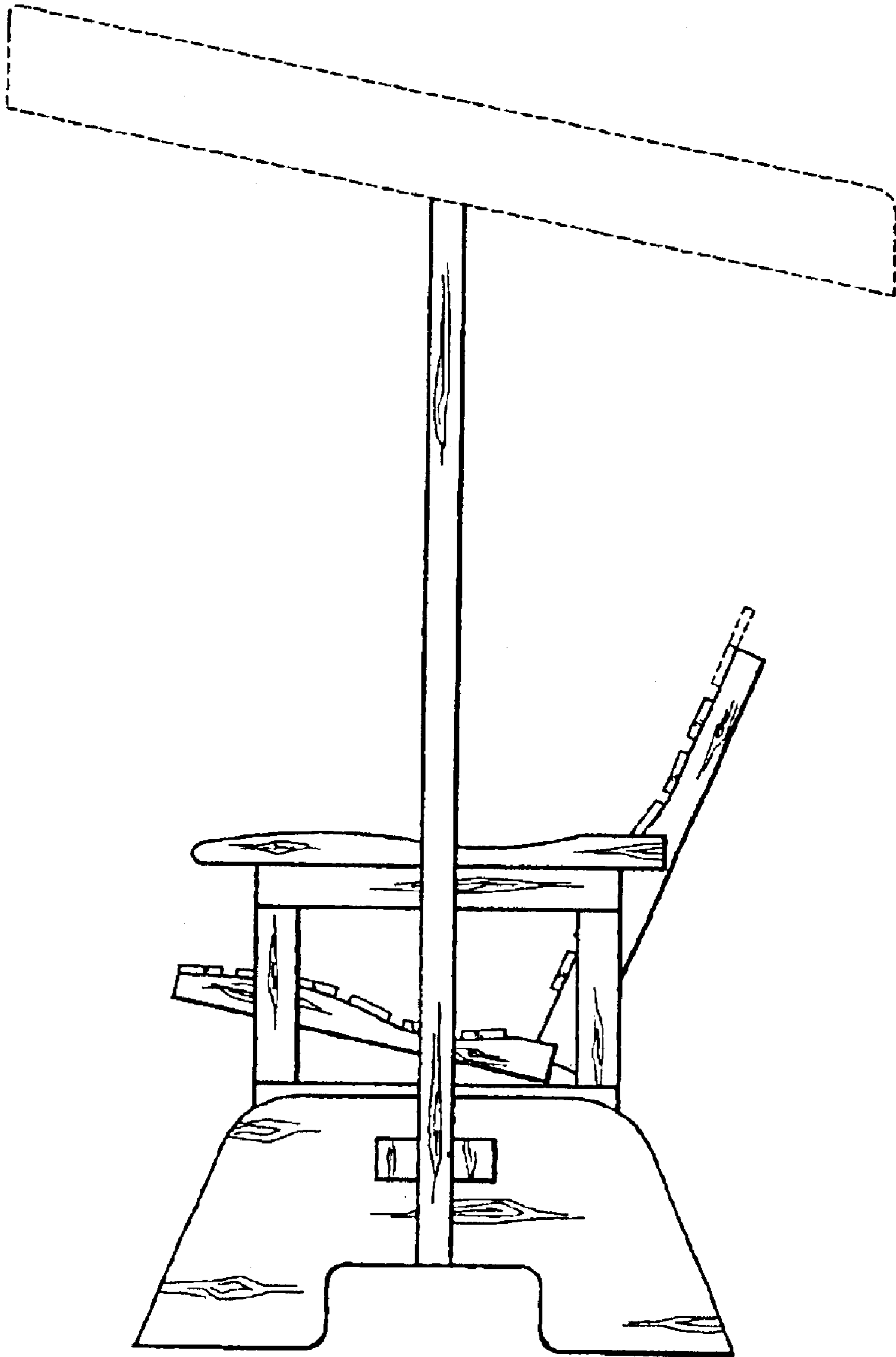


FIG. 3

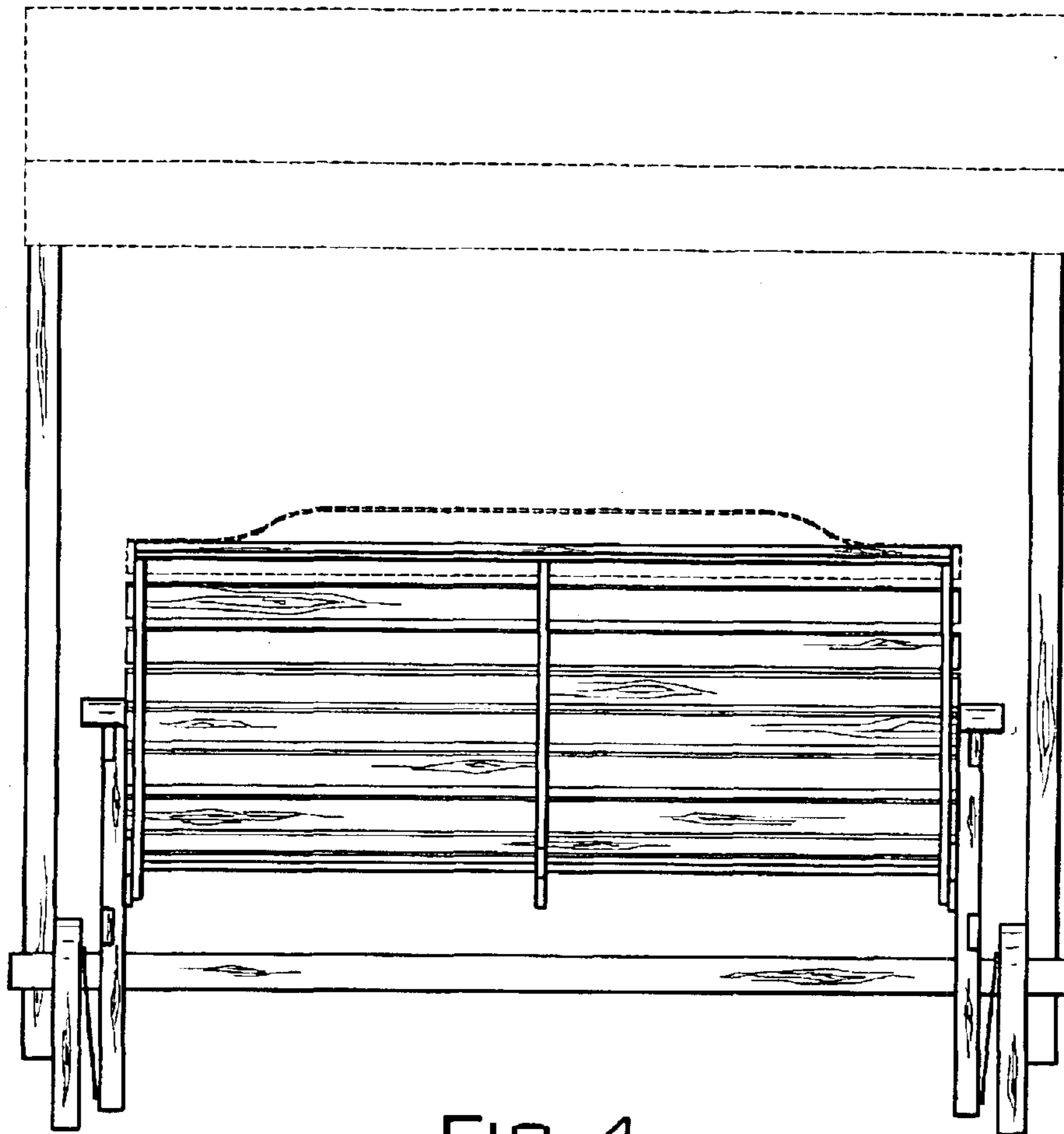


FIG. 4

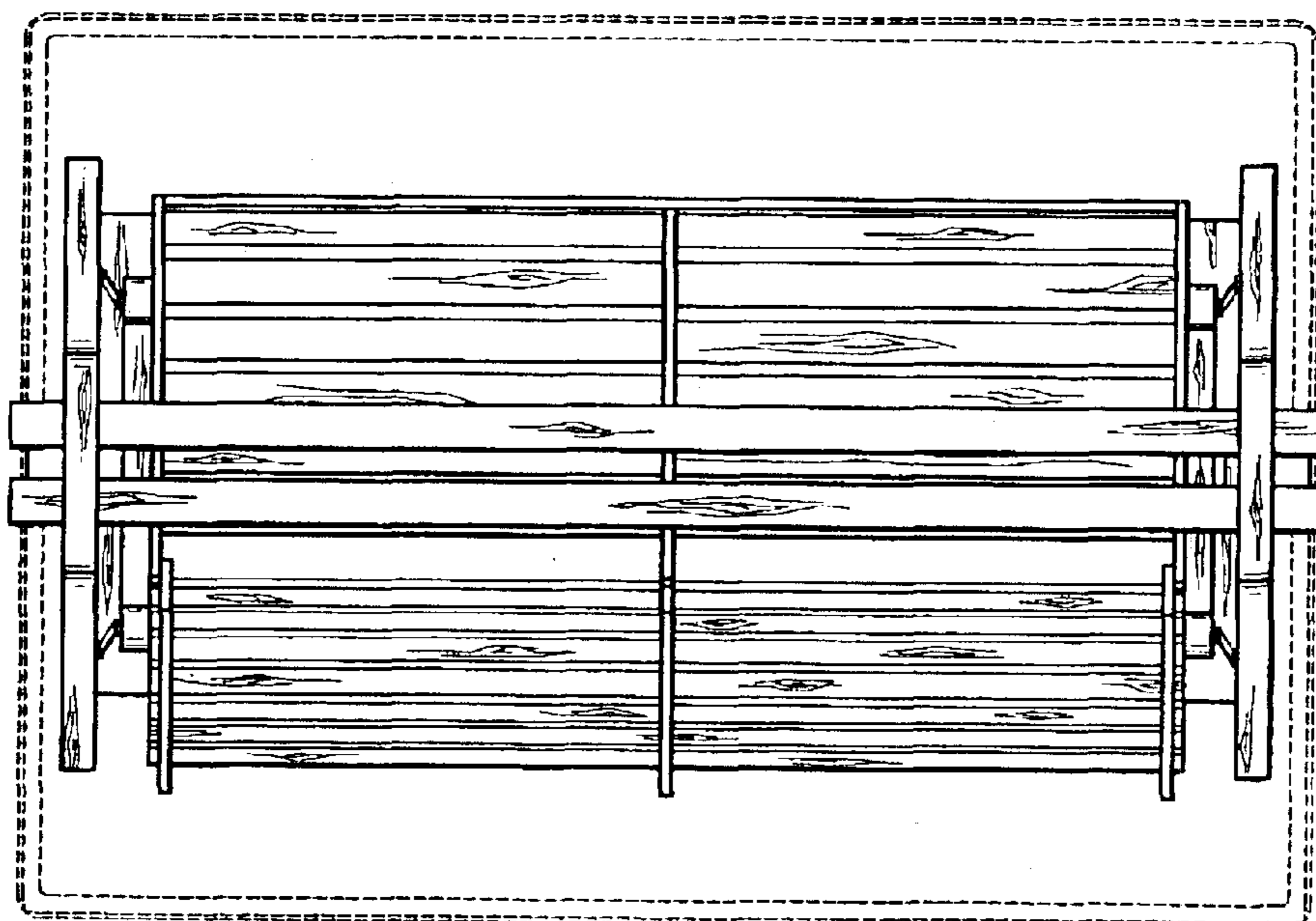


FIG. 5