

US00D492128S1

(12) **United States Design Patent**
Sugita

(10) **Patent No.:** **US D492,128 S**
(45) **Date of Patent:** **** Jun. 29, 2004**

(54) **SUIT HANGER**

(75) **Inventor:** **Haruo Sugita, Tokyo (JP)**

(73) **Assignee:** **Taya Company Limited, Tokyo (JP)**

(**) **Term:** **14 Years**

(21) **Appl. No.:** **29/173,315**

(22) **Filed:** **Dec. 26, 2002**

(30) **Foreign Application Priority Data**

Jul. 10, 2002 (JP) 2002-018448

(51) **LOC (7) Cl.** **06-08**

(52) **U.S. Cl.** **D6/317; D6/318**

(58) **Field of Search** D6/513, 315, 317-9,
D6/326, 327, 328; 211/113, 115, 119, 853;
223/85, 87-96, 98, DIG. 1

(56) **References Cited**

U.S. PATENT DOCUMENTS

2,448,234 A * 8/1948 Pande 223/94
3,401,854 A * 9/1968 Dodulik 223/92

4,114,786 A * 9/1978 Wiese 223/94
5,590,823 A * 1/1997 Lunde 223/94
6,050,460 A * 4/2000 Licari et al. 223/94
D424,815 S * 5/2000 Gonzaga D6/317

* cited by examiner

Primary Examiner—B. J. Bullock

(74) *Attorney, Agent, or Firm*—Alan Kamrath; Rider
Bennett, LLP

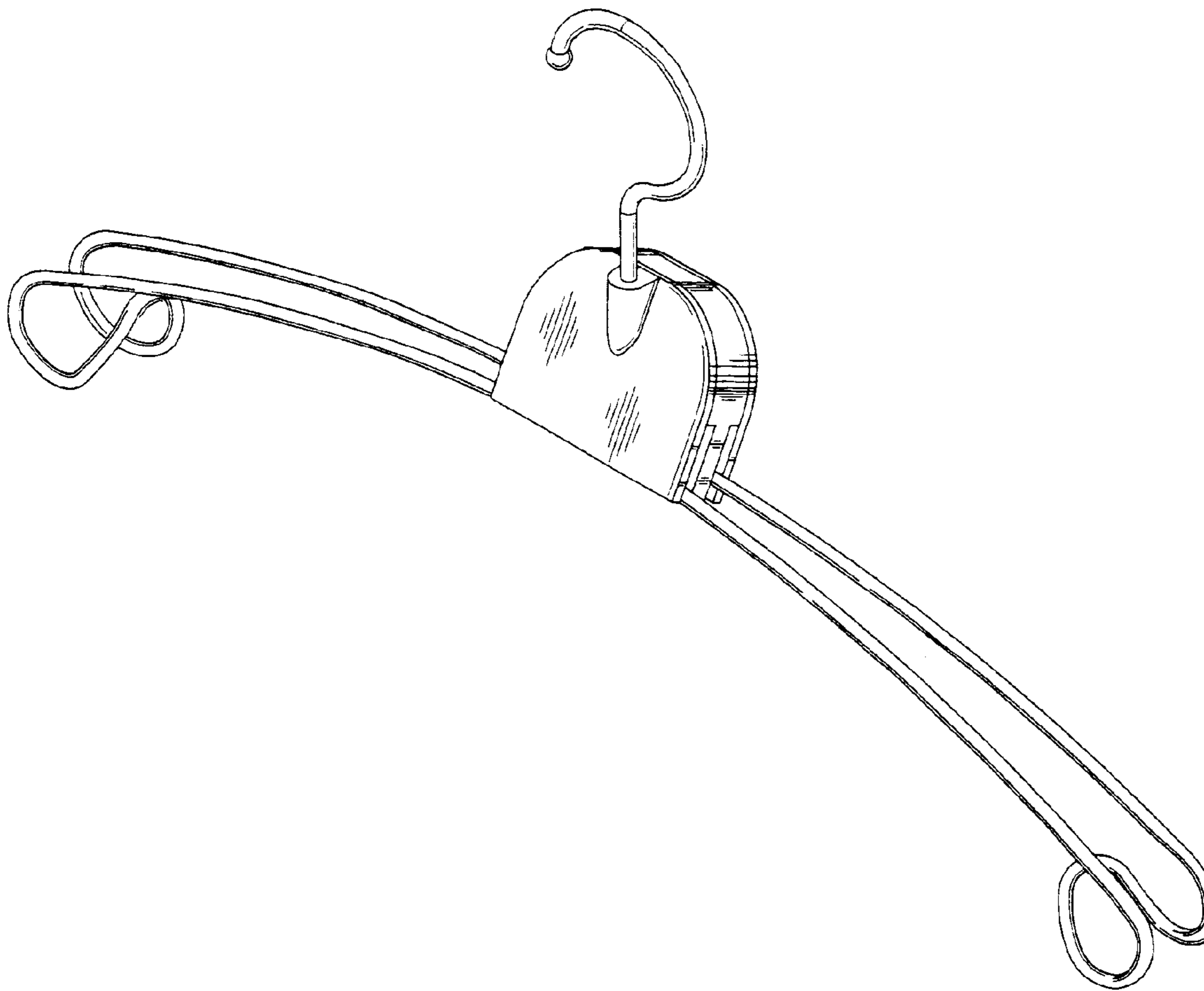
(57) **CLAIM**

The ornamental design for a suit hanger, as shown and
described.

DESCRIPTION

FIG. 1 is a perspective view of a suit hanger showing my
new design;
FIG. 2 is a front view thereof;
FIG. 3 is a rear view thereof;
FIG. 4 is a left view thereof;
FIG. 5 is a right view thereof;
FIG. 6 is top view thereof; and,
FIG. 7 is bottom view thereof.

1 Claim, 2 Drawing Sheets



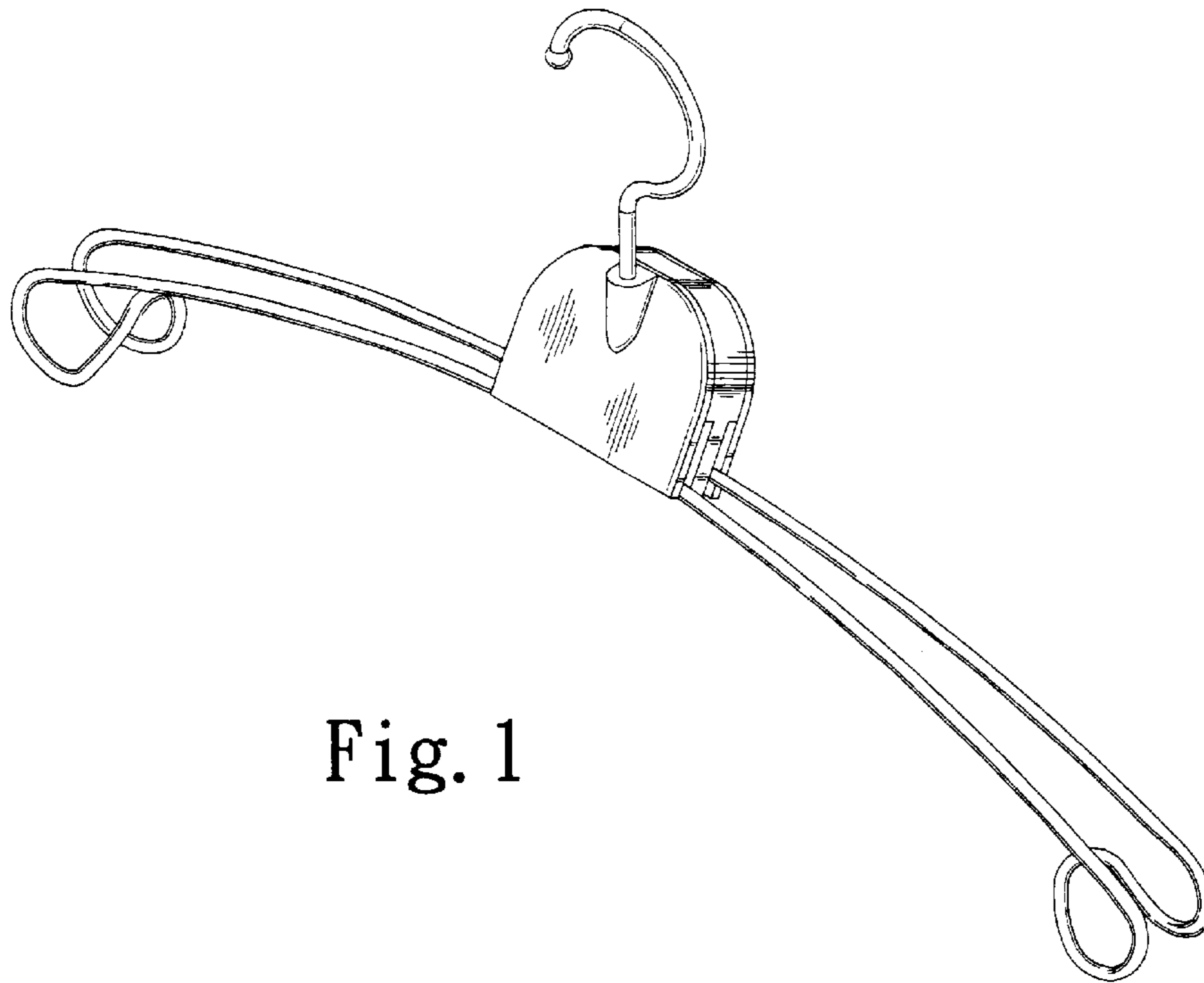


Fig. 1

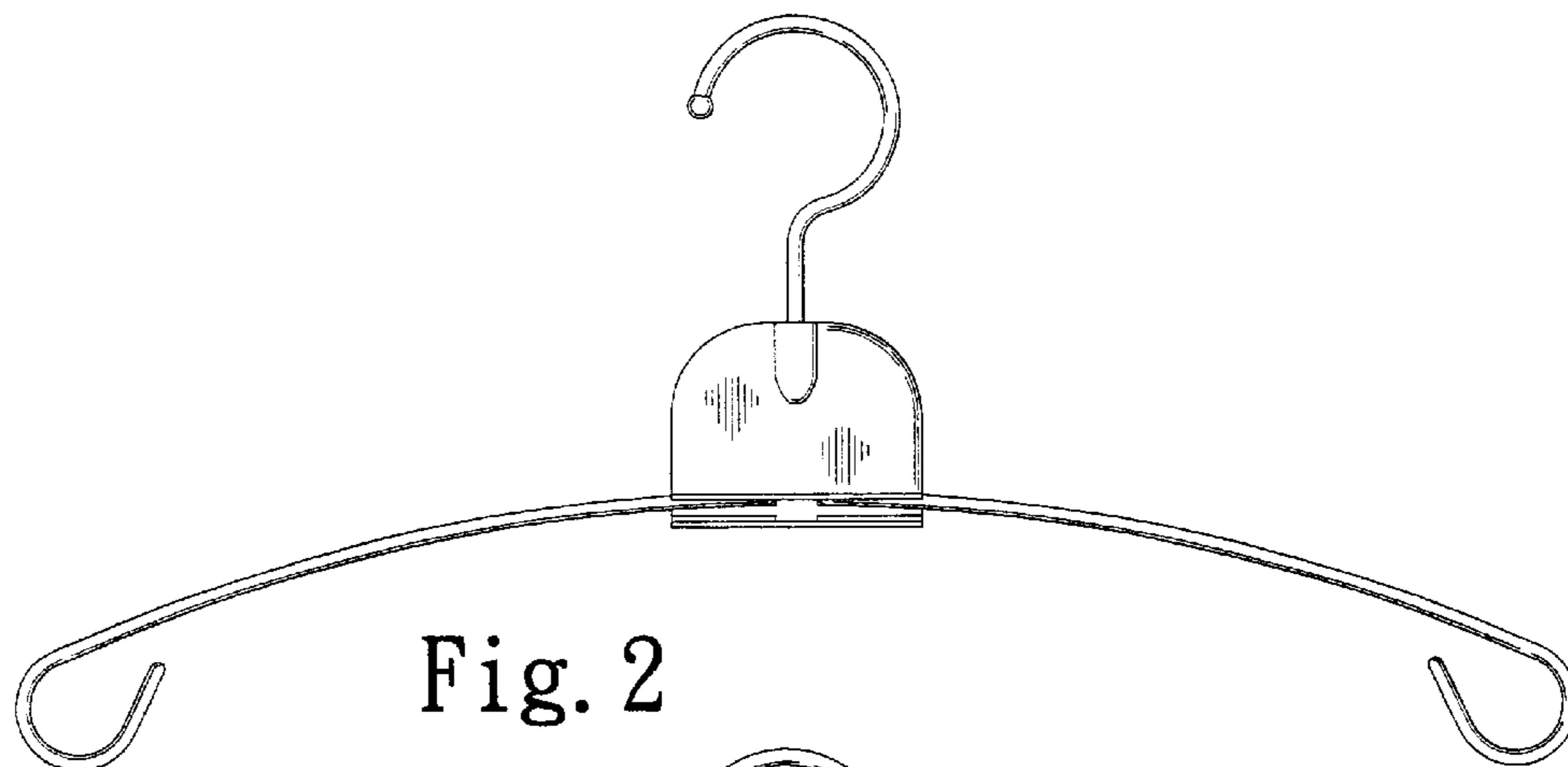


Fig. 2

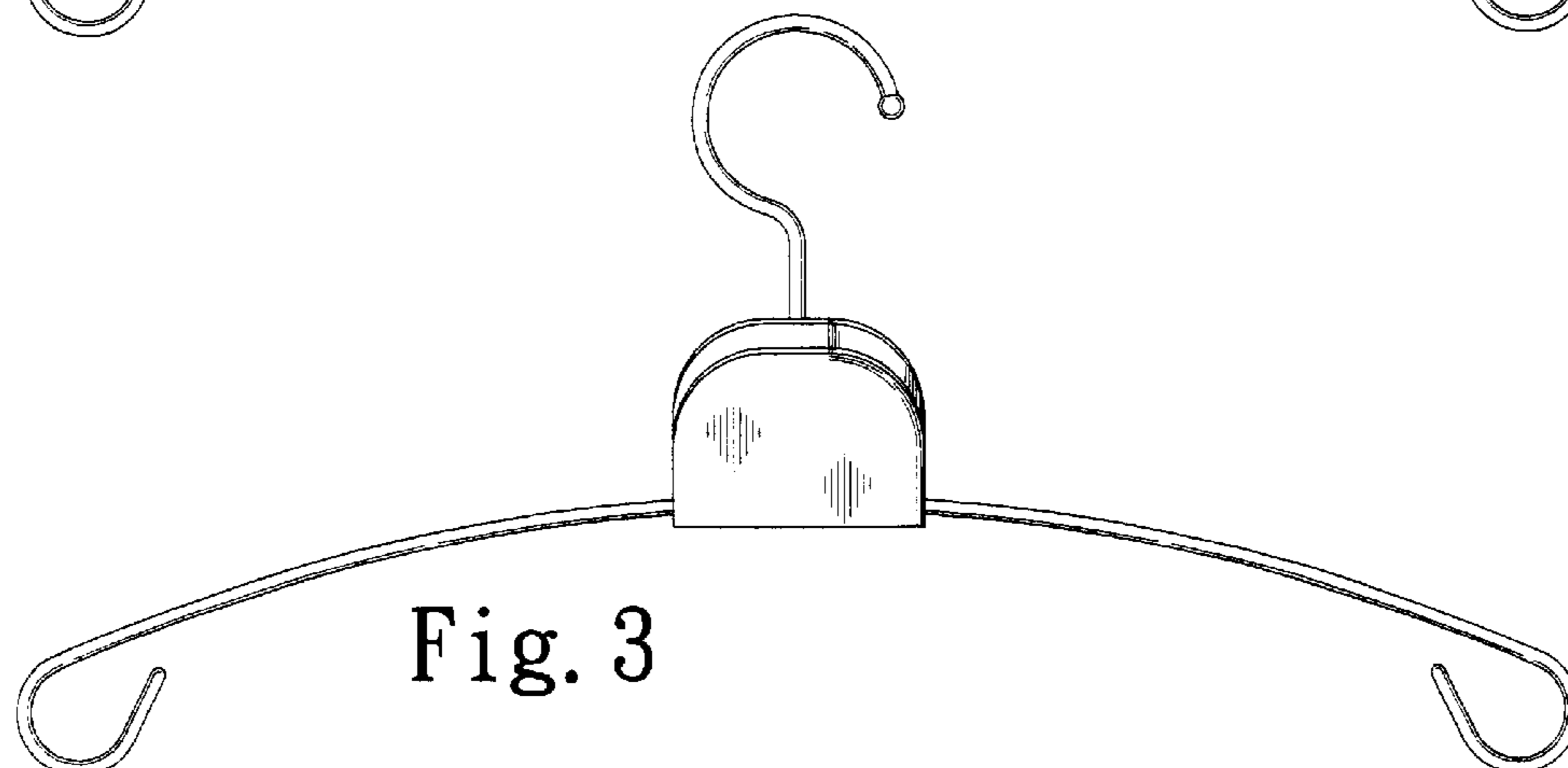


Fig. 3

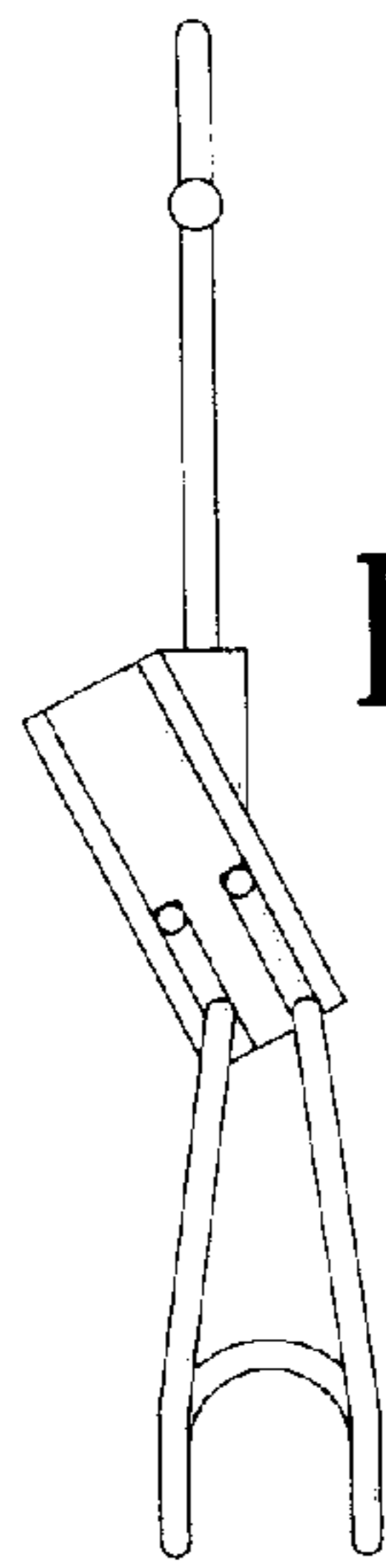


Fig. 4

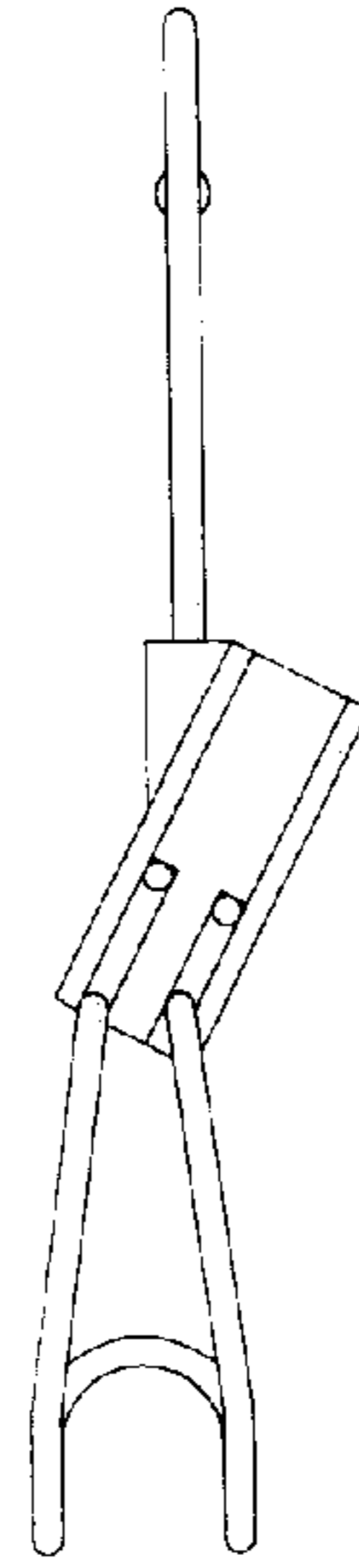


Fig. 5

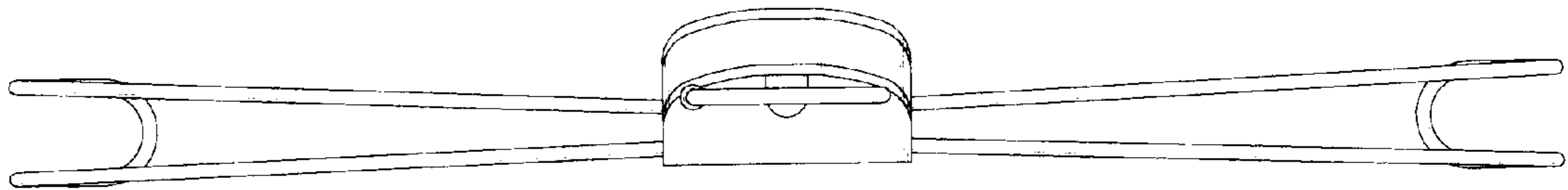


Fig. 6

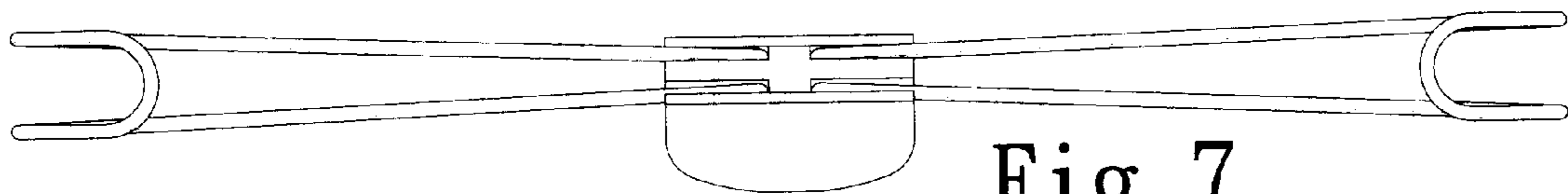


Fig. 7