



US00D492114S1

(12) **United States Design Patent**  
**Sulier**

(10) **Patent No.:** **US D492,114 S**  
(45) **Date of Patent:** **\*\* Jun. 29, 2004**

(54) **CADDY FOR AN ARTICLE OF FURNITURE'S ARM**

(76) Inventor: **Cornelius W. Sulier**, 111 Conn Ter., Lexington, KY (US) 40503

(\*\*) Term: **14 Years**

(21) Appl. No.: **29/175,117**

(22) Filed: **Jan. 30, 2003**

(51) **LOC (7) Cl.** ..... **03-01**

(52) **U.S. Cl.** ..... **D3/315**

(58) **Field of Search** ..... D3/231, 315, 318; D6/501, 610, 611; D12/416; 5/503.1; 150/100, 107, 154, 158; 211/26.1; 206/320, 387.15; 224/275, 563; 248/205.2; 297/188.06, 188.2, 227

(56) **References Cited**

**U.S. PATENT DOCUMENTS**

3,717,188 A \* 2/1973 Green ..... 383/39  
D350,866 S \* 9/1994 Miller et al. .... D6/501  
5,692,608 A \* 12/1997 Simien ..... 383/38  
D392,613 S \* 3/1998 Peters ..... D12/416

5,872,702 A \* 2/1999 Kopel ..... 206/320  
D421,543 S \* 3/2000 Rogman et al. .... D6/610

\* cited by examiner

*Primary Examiner*—Louis S. Zarfes

*Assistant Examiner*—Monica A. Weingart

(74) *Attorney, Agent, or Firm*—Kenneth F. Pearce

(57) **CLAIM**

The ornamental design for a caddy for an article of furniture's arm, as shown and described.

**DESCRIPTION**

FIG. 1 is a front view of the caddy for an article of furniture's arm.

FIG. 2 is a side view of the caddy for an article of furniture's arm.

FIG. 3 is a rear view of the caddy for an article of furniture's arm.

FIG. 4 is a top view of the caddy for an article of furniture's arm; and,

FIG. 5 is an isometric view the caddy for an article of furniture's arm.

**1 Claim, 1 Drawing Sheet**

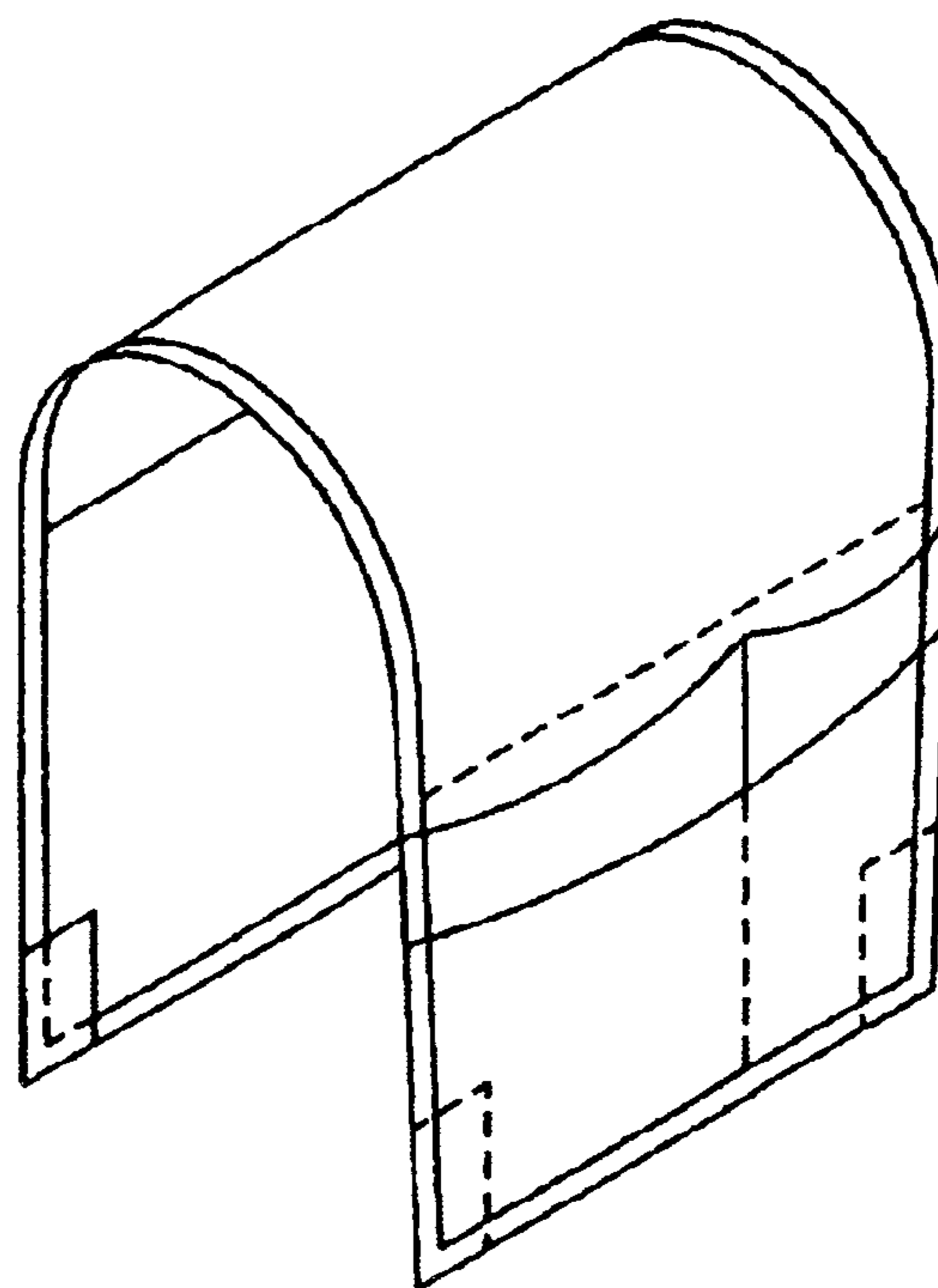
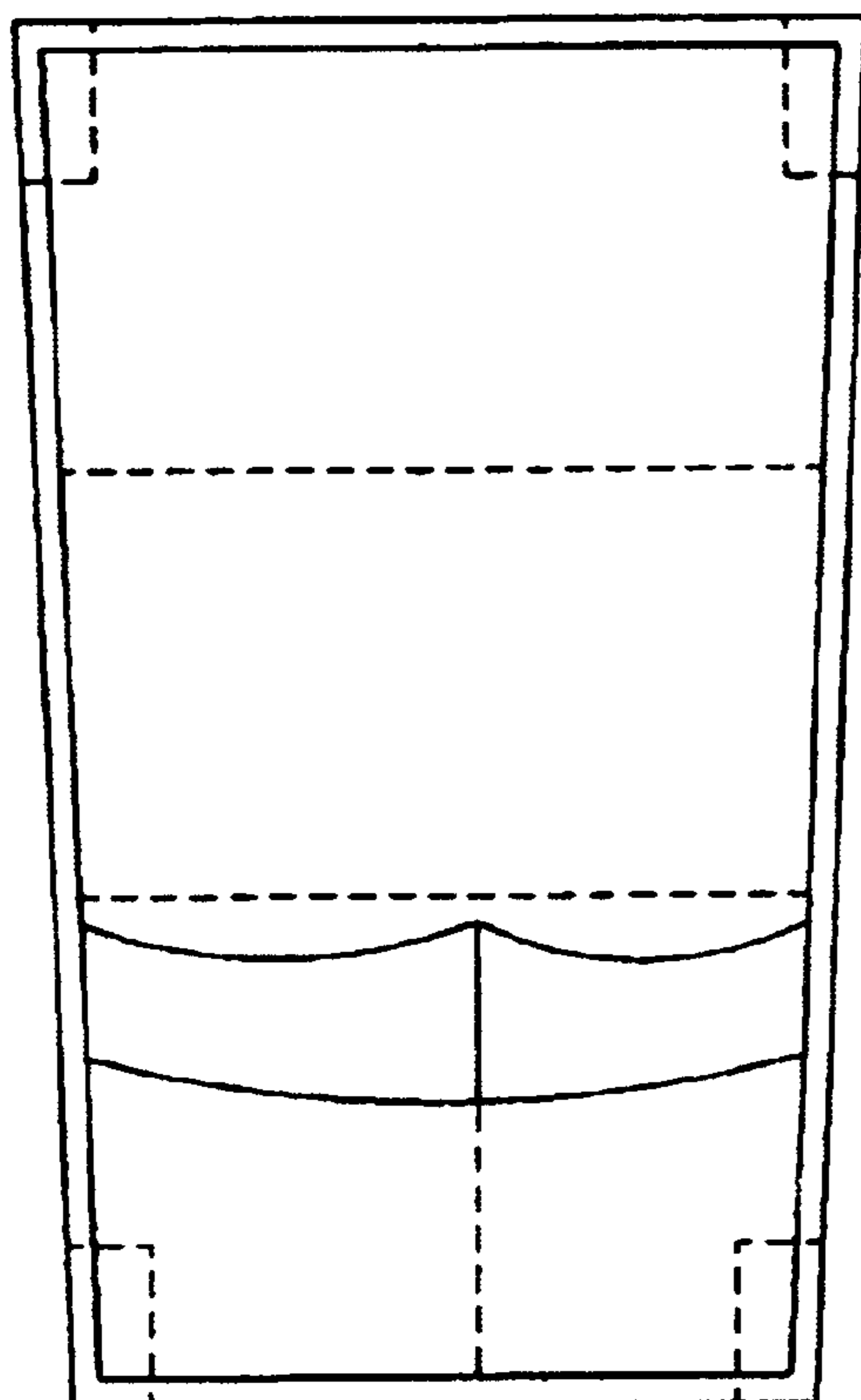




FIGURE 4

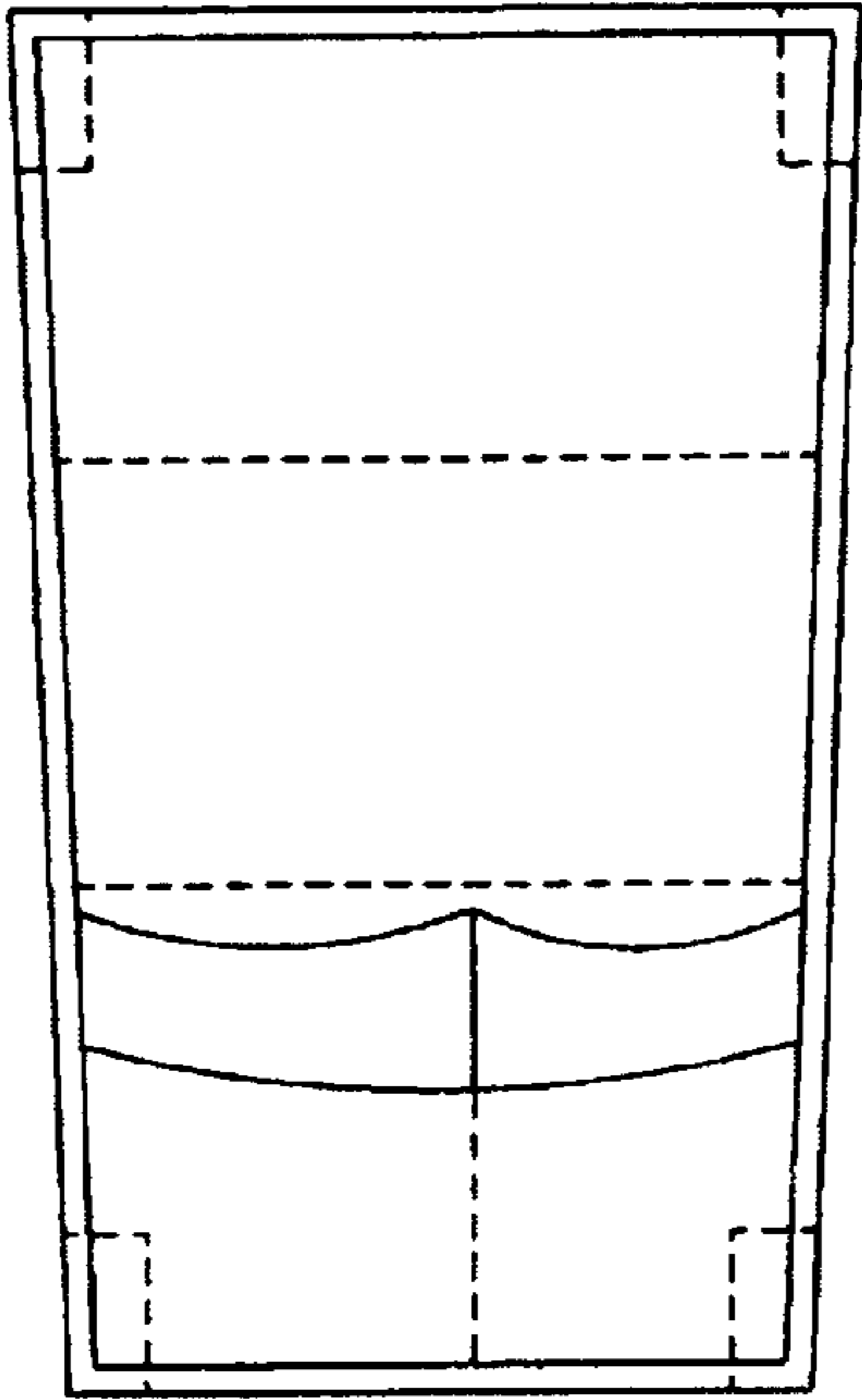


FIGURE 1



FIG 2

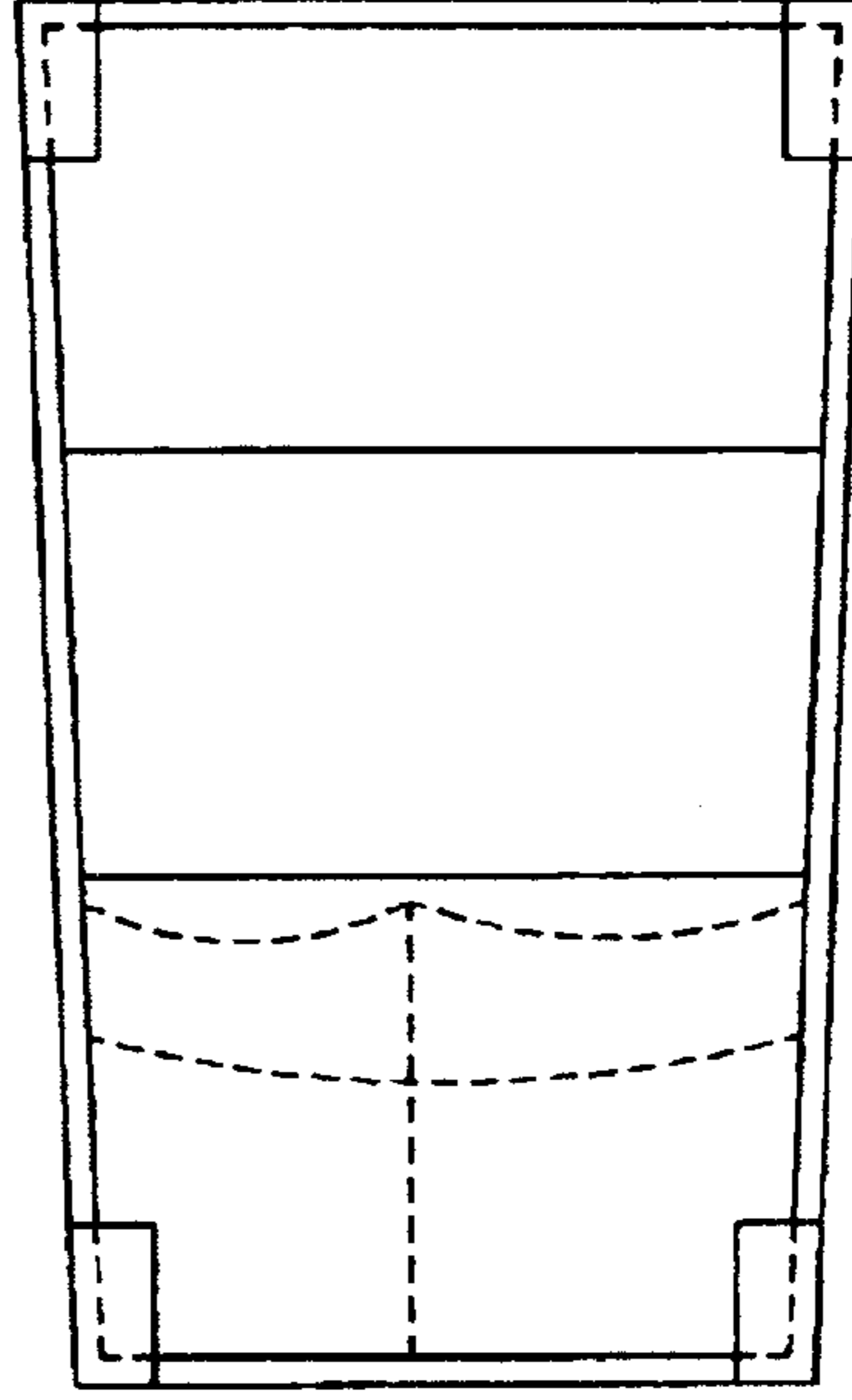


FIGURE 3

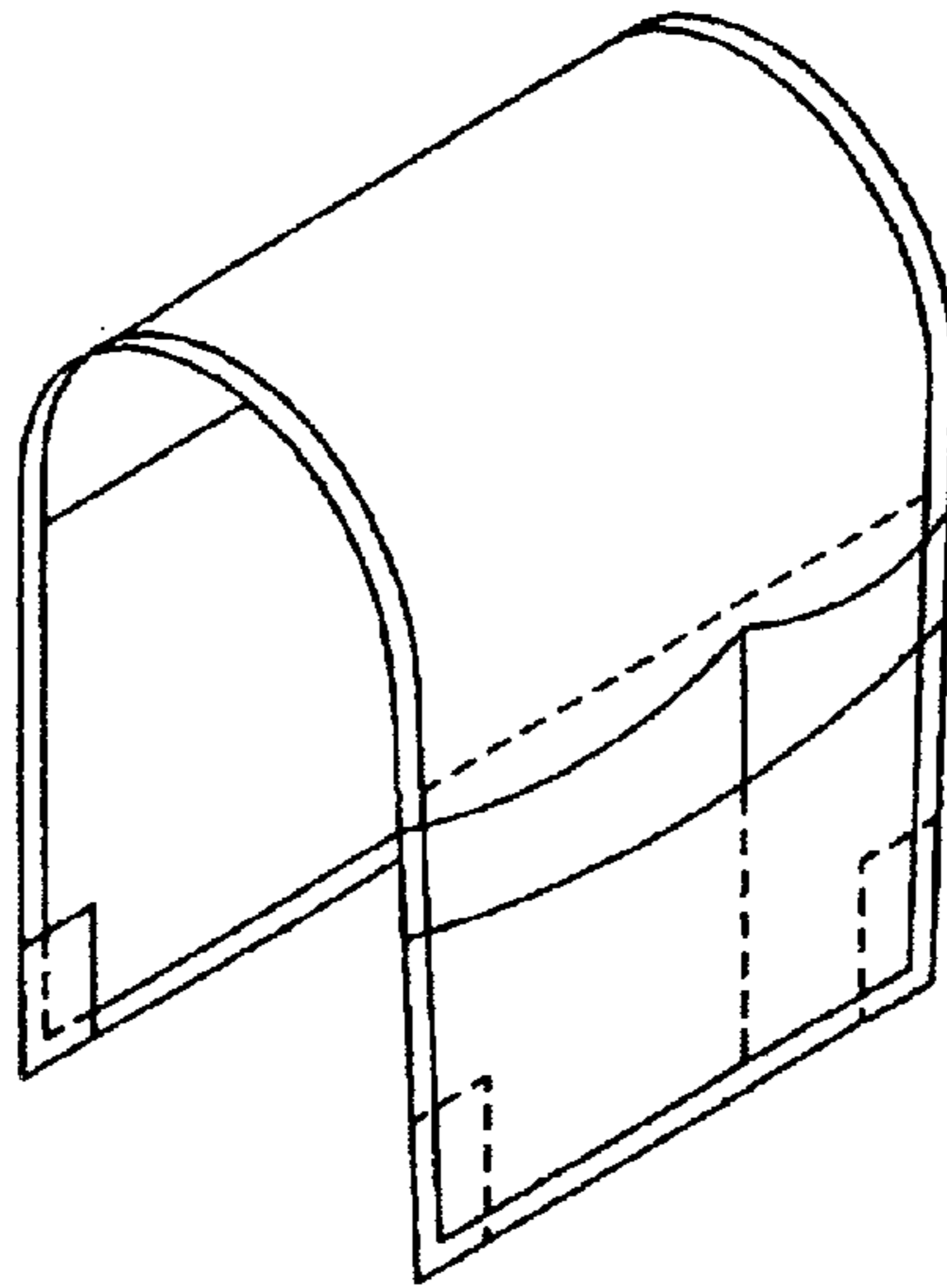


FIGURE 5