

US00D492113S1

(12) **United States Design Patent**  
**Bayer et al.**

(10) **Patent No.:** **US D492,113 S**  
(45) **Date of Patent:** **\*\* Jun. 29, 2004**

(54) **TOOL TRAY**  
(75) **Inventors:** **Larry P. Bayer**, 4580 Church Dr., West Bend, WI (US) 53095; **Kenny Baus**, Hartford, WI (US)

(73) **Assignee:** **Larry P. Bayer**, West Bend, WI (US)

(\*\*) **Term:** **14 Years**

(21) **Appl. No.:** **29/189,728**

(22) **Filed:** **Sep. 10, 2003**

(51) **LOC (7) Cl.** ..... **03-01**

(52) **U.S. Cl.** ..... **D3/310**

(58) **Field of Search** ..... D3/304, 307, 308, D3/310, 313, 315, 201, 901, 905; 206/372, 375; D32/53.1; 220/486, 500, 752, DIG. 12, DIG. 13, DIG. 14

(56) **References Cited**

**U.S. PATENT DOCUMENTS**

D252,479 S \* 7/1979 Goeden ..... D3/308  
D281,929 S \* 12/1985 Strobel et al. .... D3/901  
D302,881 S \* 8/1989 Lussier et al. .... D32/53.1

D421,337 S \* 3/2000 Stevens ..... D3/315  
D424,806 S \* 5/2000 Dixon, Sr. .... D3/313  
D433,568 S \* 11/2000 Willison ..... D3/310  
D487,193 S \* 3/2004 Liu ..... D3/313

\* cited by examiner

*Primary Examiner*—Louis S. Zarfes

*Assistant Examiner*—Deanne Levy

(74) *Attorney, Agent, or Firm*—Ryan Kromholz & Manion, S.C.

(57) **CLAIM**

The ornamental design of a tool tray, as shown and described.

**DESCRIPTION**

FIG. 1 is a perspective view of a tool tray showing our new design.

FIG. 2 is a bottom elevation view thereof.

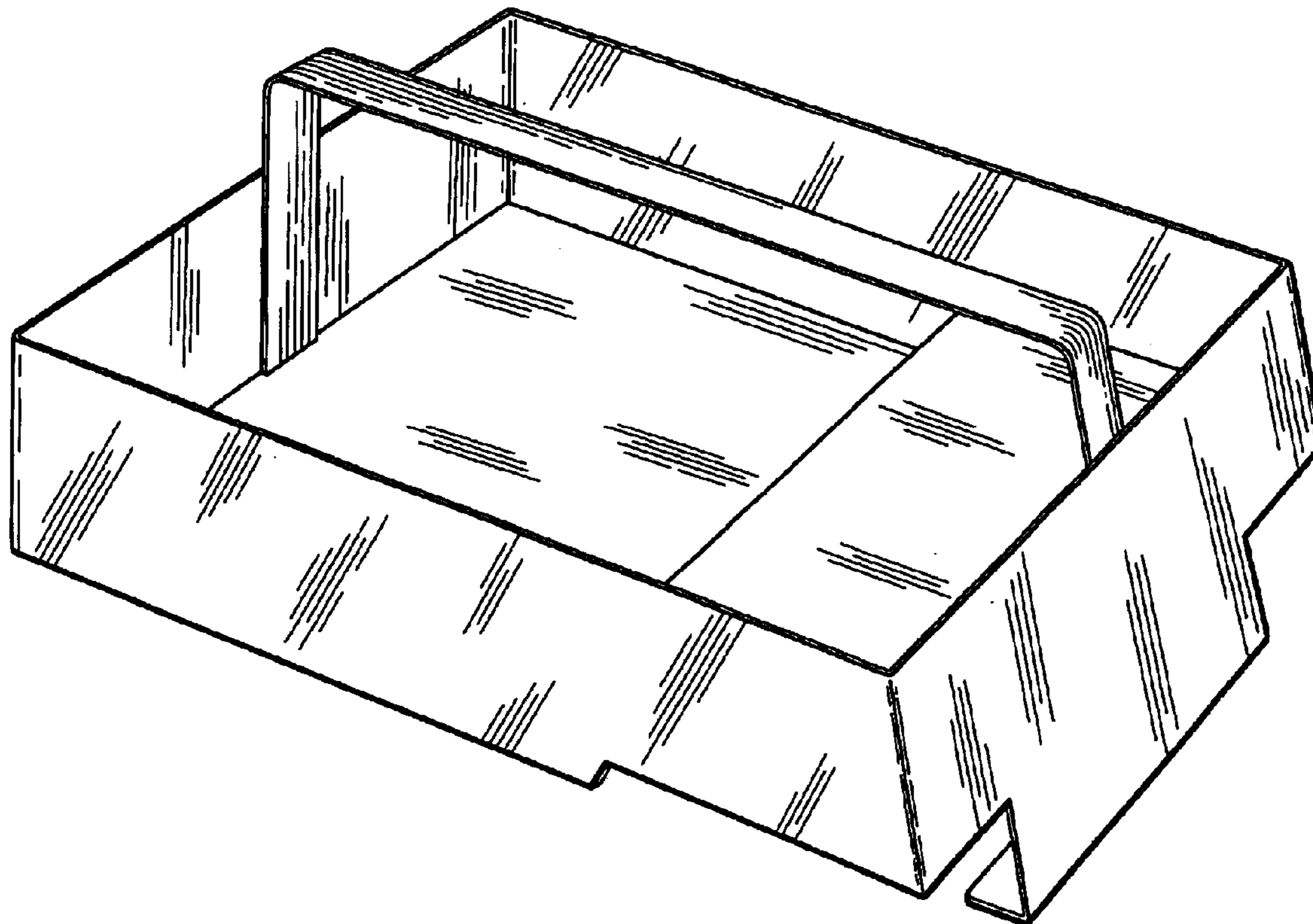
FIG. 3 is a top elevation view thereof.

FIG. 4 is left side elevation view thereof, the right side being a mirror image thereof.

FIG. 5 is front plan view thereof; and,

FIG. 6 is a back plan view thereof.

**1 Claim, 4 Drawing Sheets**



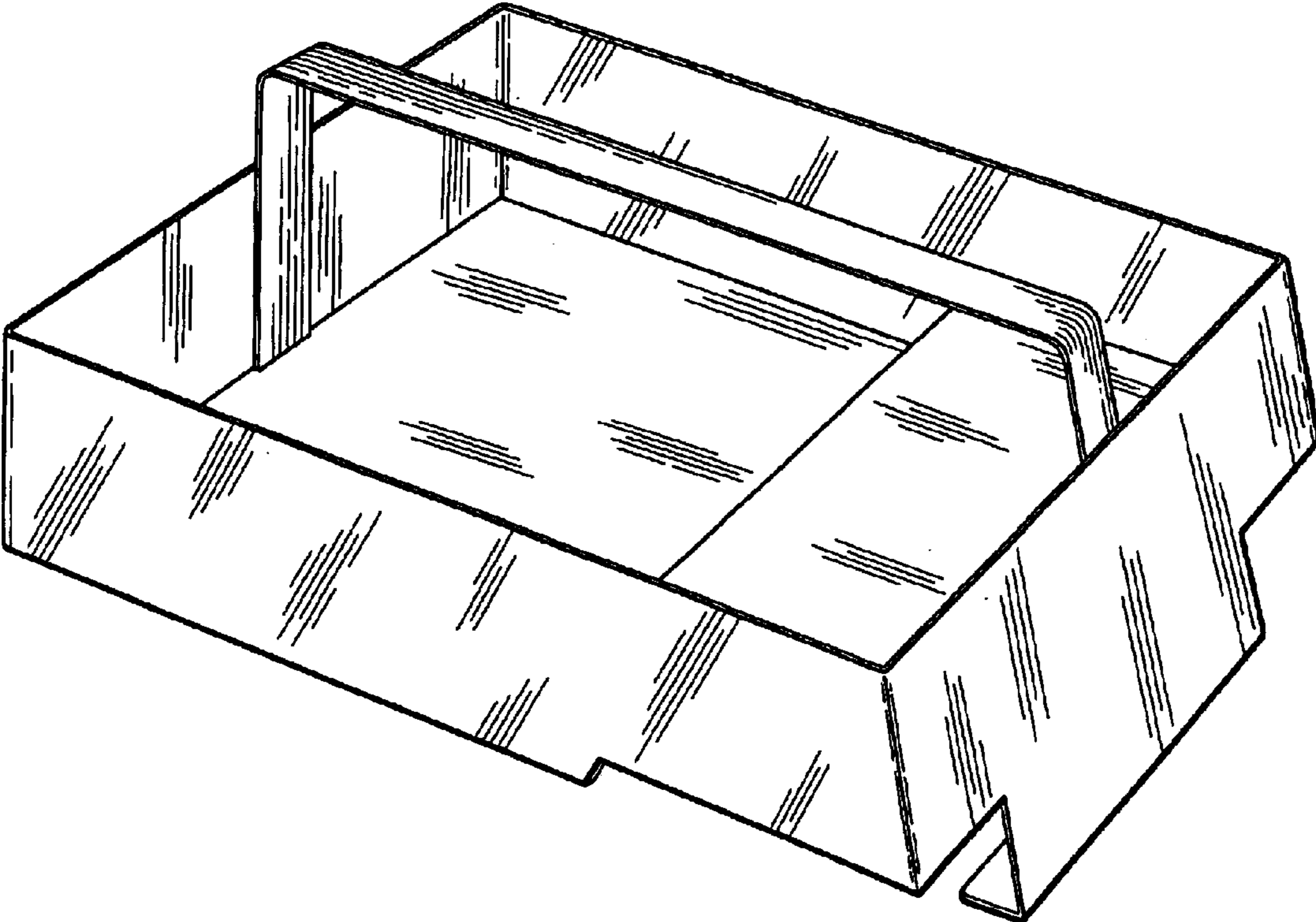


Fig. 1

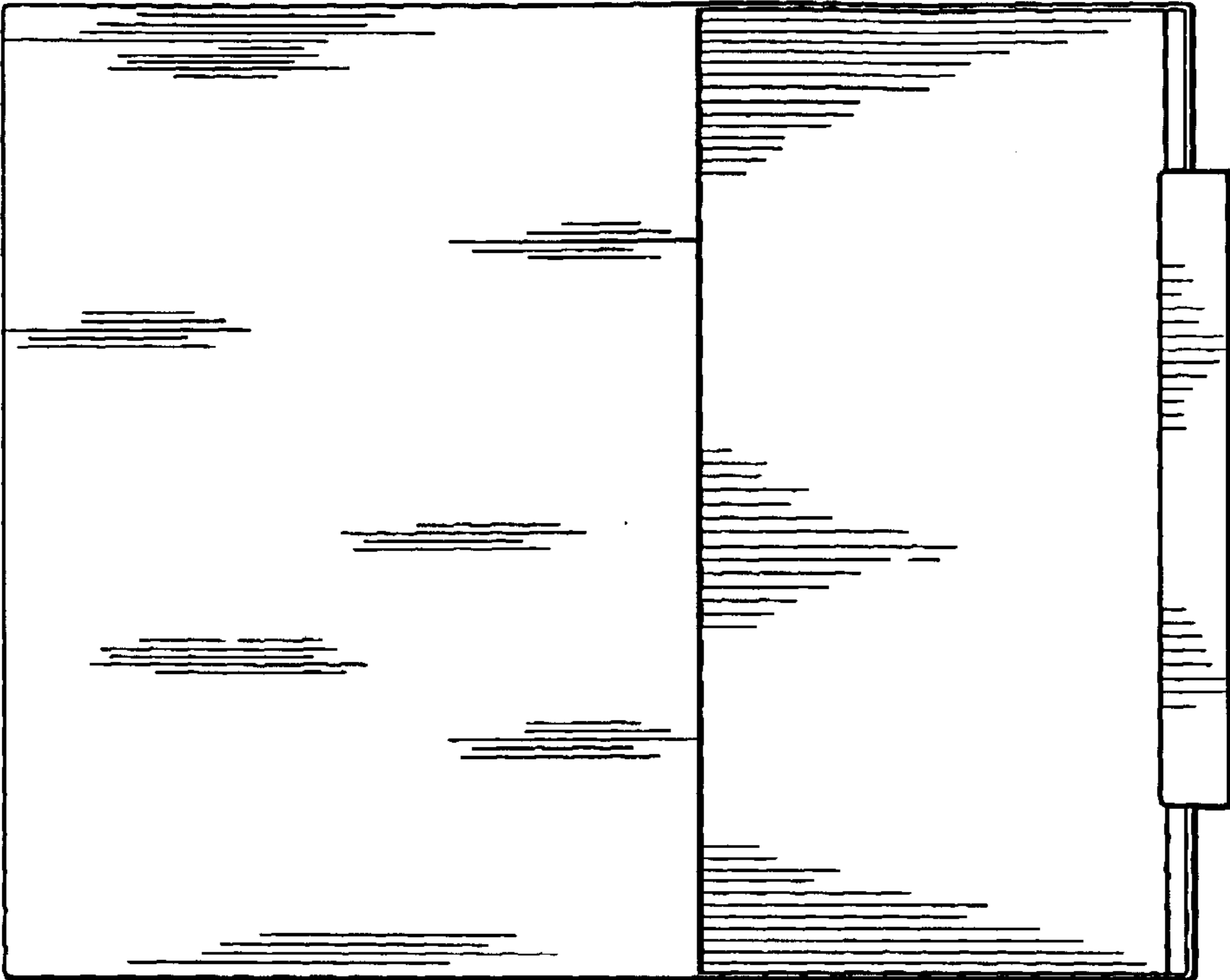


Fig. 2

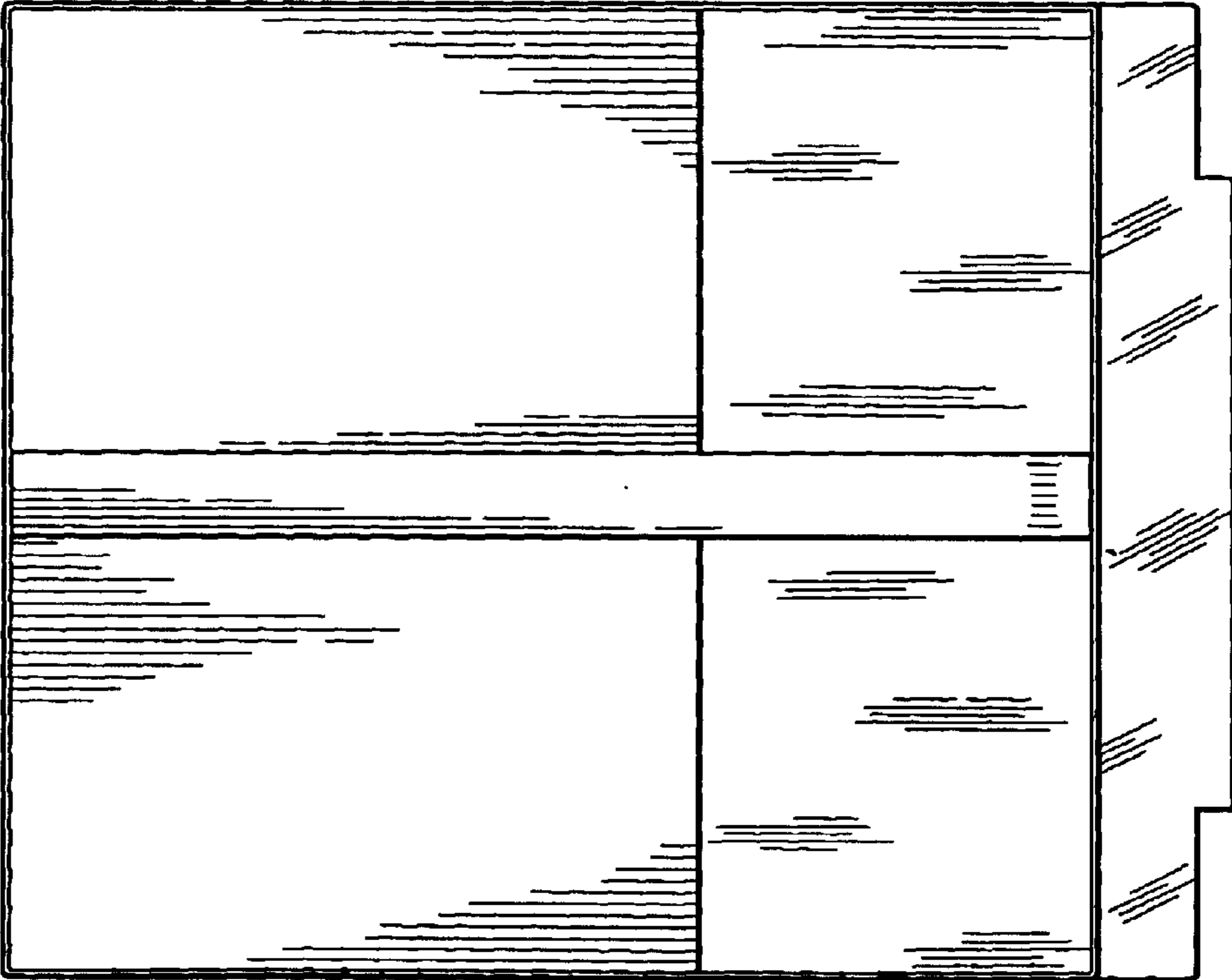


Fig. 3

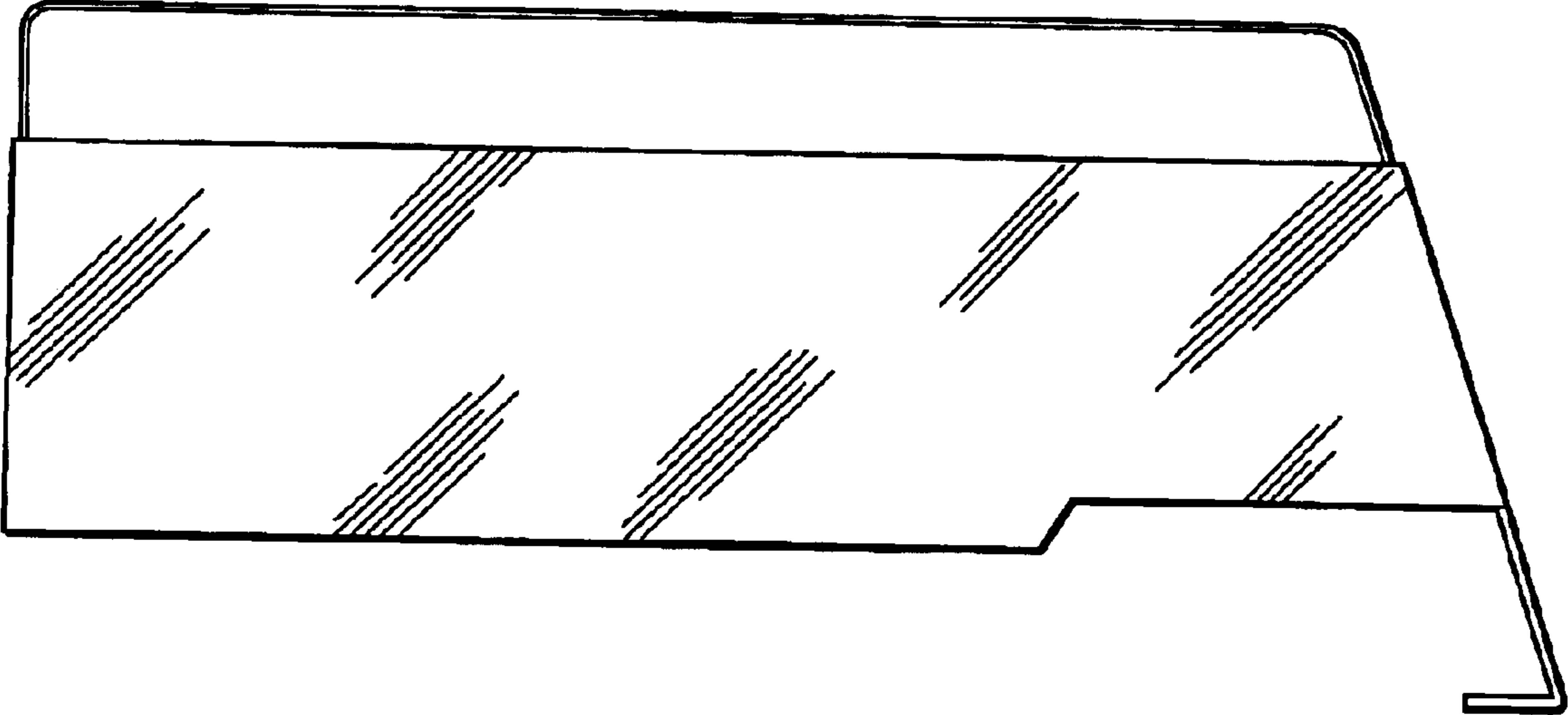


Fig. 4

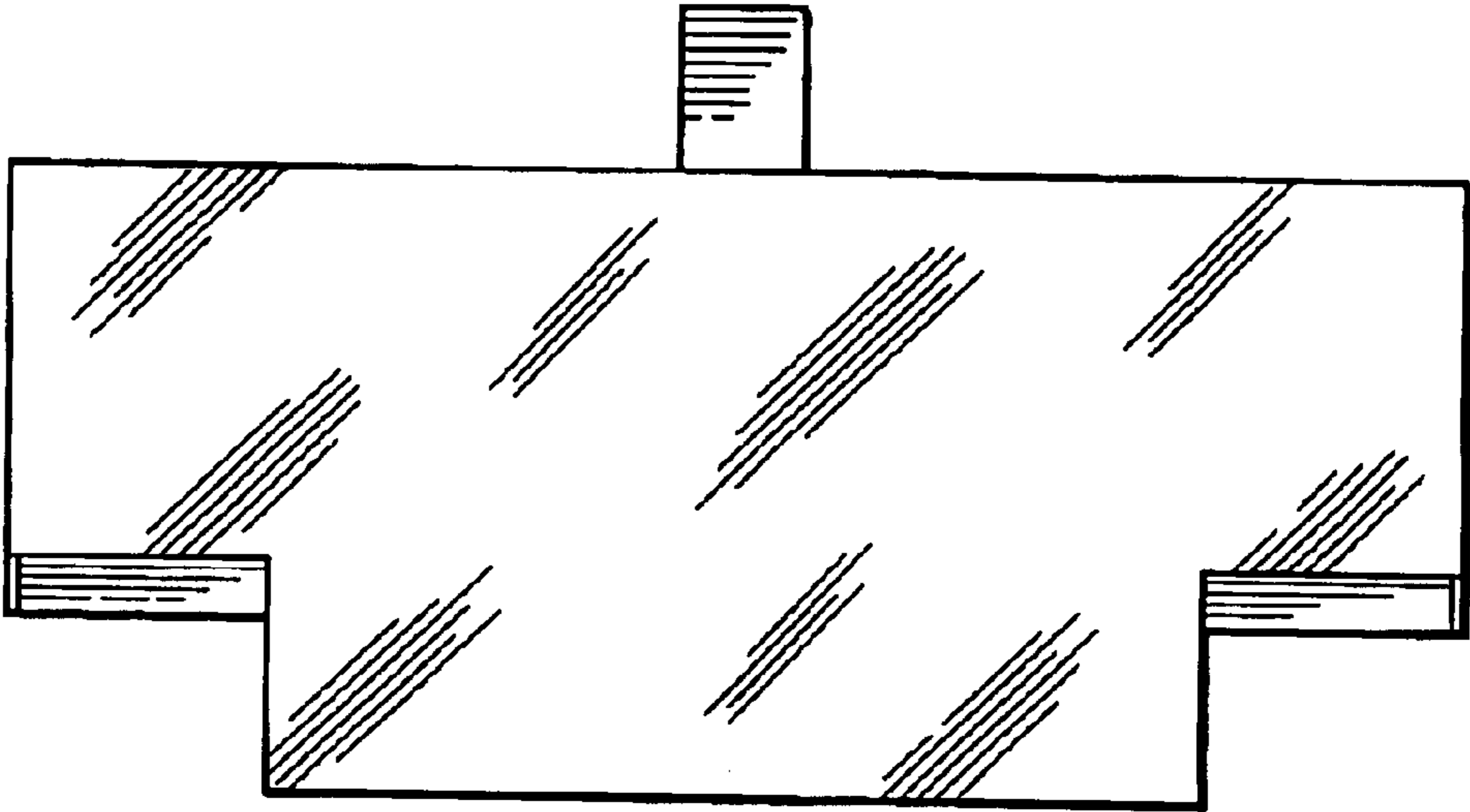


Fig. 5

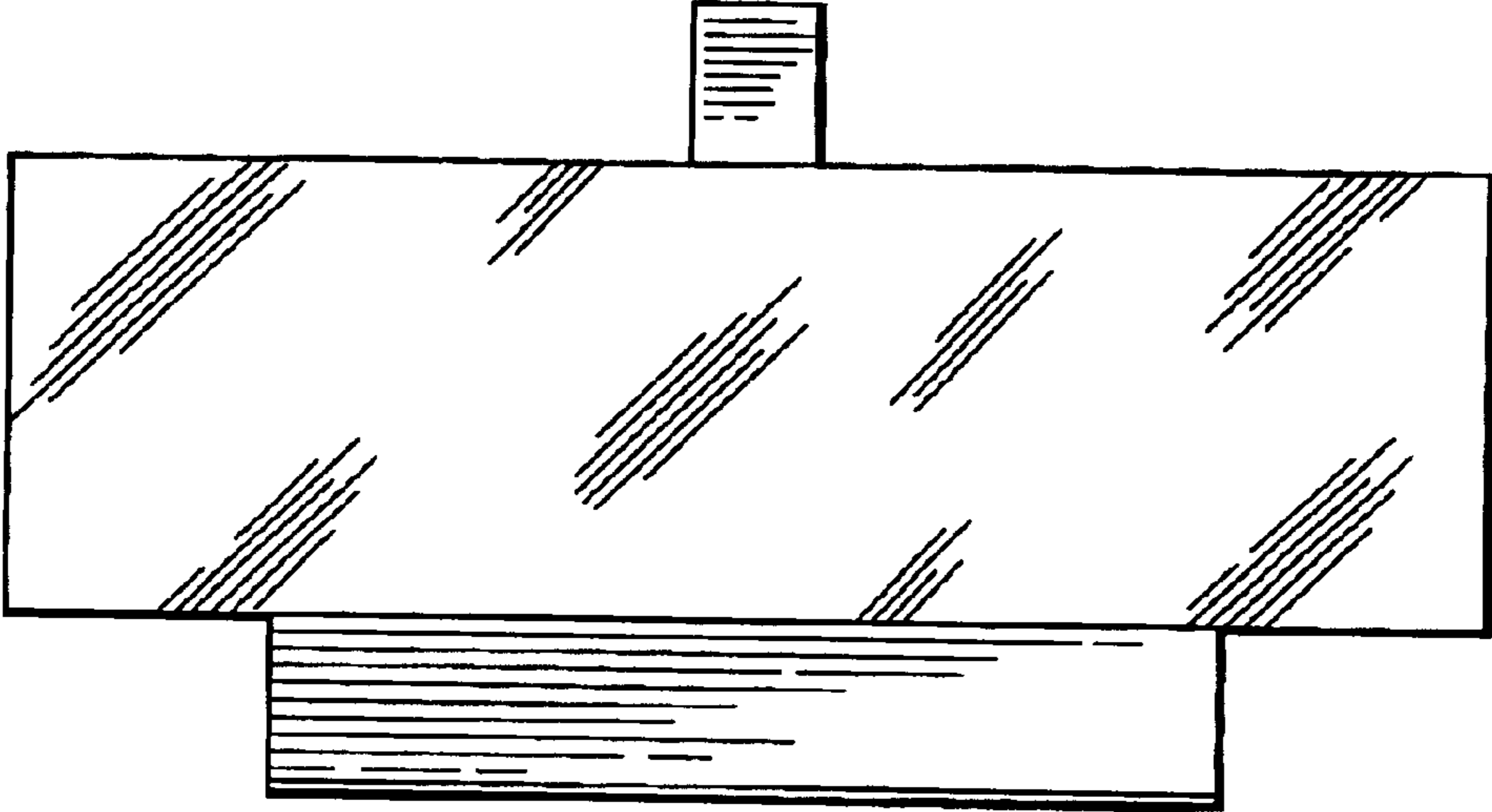


Fig. 6