

US00D492105S1

(12) **United States Design Patent**
Sauber

(10) **Patent No.:** **US D492,105 S**
(45) **Date of Patent:** **** Jun. 29, 2004**

(54) **SPOOL ORGANIZER**

(76) **Inventor:** **Charles J. Sauber**, 10 N. Sauber Rd.,
Virgil, IL (US) 60182

(**) **Term:** **14 Years**

(21) **Appl. No.:** **29/159,608**

(22) **Filed:** **Apr. 24, 2002**

(51) **LOC (7) Cl.** **02-07**

(52) **U.S. Cl.** **D3/25**

(58) **Field of Search** D3/18, 20-21,
D3/23-26; 112/257, 258, 260; D9/303;
312/208.5, 208.6; D15/66, 72, 78; D6/409,
411, 463, 467-468; 223/106, 108, 120;
248/124.1, 124.2, 150; 242/139; 211/85.5,
44, 59.1

(56) **References Cited**

U.S. PATENT DOCUMENTS

- 584,811 A * 6/1897 Caldwell 211/44 X
- 680,450 A * 8/1901 Aiken 211/44
- 871,198 A * 11/1907 Aiken 211/44
- D93,378 S * 9/1934 Barone D3/25
- D205,329 S * 7/1966 Kasher D6/463 X

- D272,954 S * 3/1984 Sparks D6/467 X
- D326,570 S * 6/1992 Heilman D6/411 X
- D333,559 S * 3/1993 Rowley D3/25
- D411,344 S * 6/1999 Ovalle D3/24

* cited by examiner

Primary Examiner—Louis S. Zarfes

Assistant Examiner—Robert A. Delehanty

(57) **CLAIM**

The ornamental design for the spool organizer, as shown and described.

DESCRIPTION

FIG. 1 is a right side elevation view of a spool organizer showing my new design in an extended position, it being understood that the left side elevation view is a mirror image thereof;

FIG. 2 is a front elevation view thereof;

FIG. 3 is a right side elevation view thereof shown in a retracted or stored position, it being understood that the left side elevation view is a mirror image thereof; and,

FIG. 4 is a perspective view shown in an extended position thereof.

1 Claim, 4 Drawing Sheets

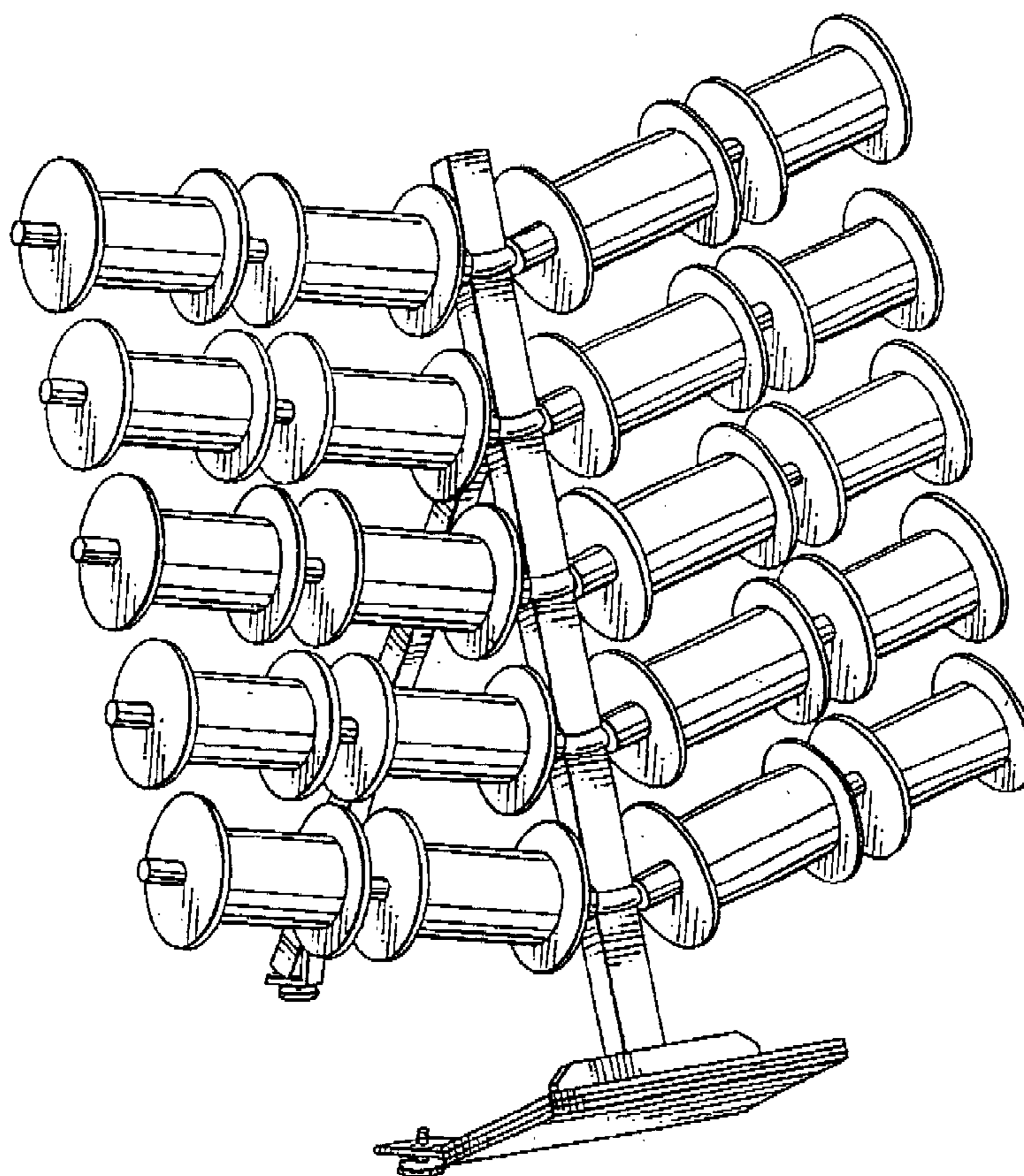


FIG. 1

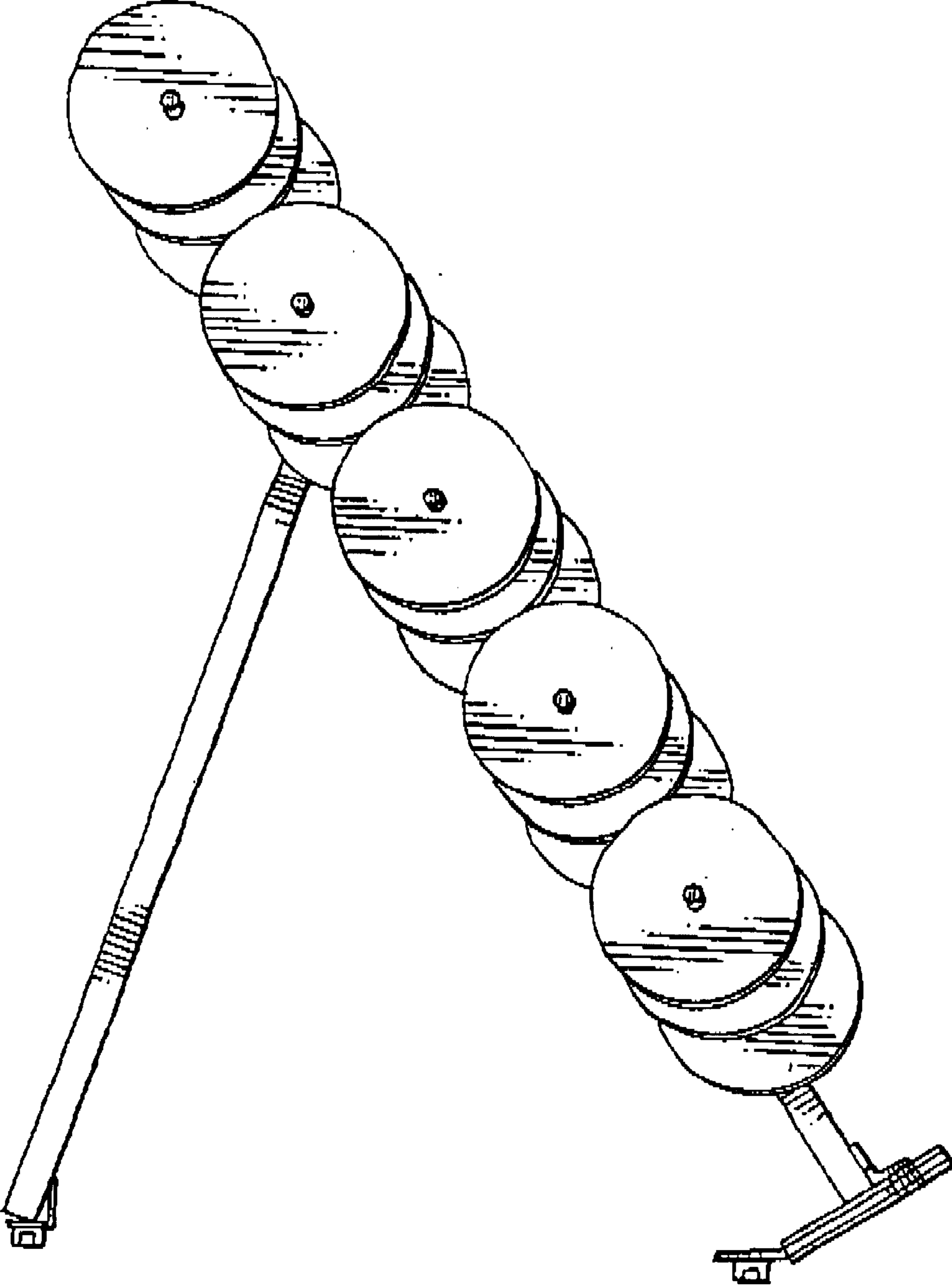


FIG. 2

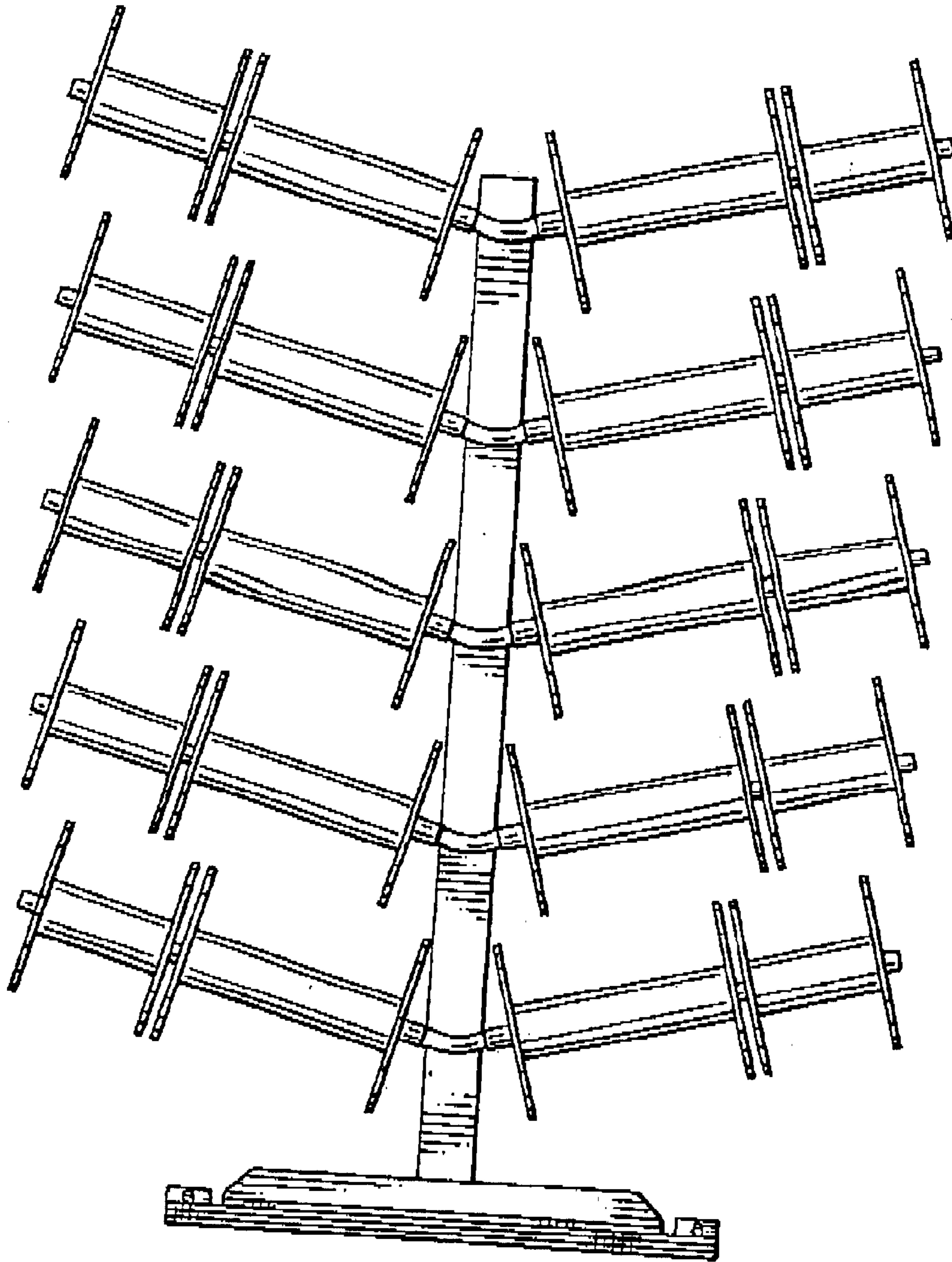


FIG. 3

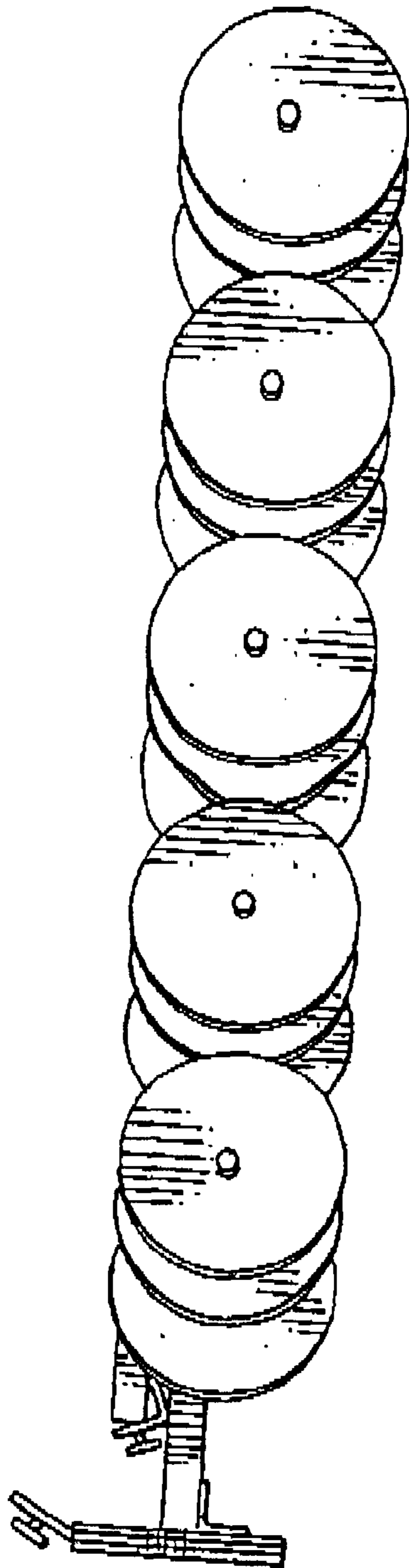


FIG. 4

