

US00D492093S1

(12) **United States Design Patent**  
**Park**

(10) **Patent No.:** **US D492,093 S**  
(45) **Date of Patent:** **\*\* Jun. 29, 2004**

- (54) **CAP**
- (75) Inventor: **Boo Yi Park**, Seoul (KR)
- (73) Assignee: **DADA Corp.**
- (\*\*) Term: **14 Years**
- (21) Appl. No.: **29/180,595**
- (22) Filed: **Apr. 28, 2003**
- (51) **LOC (7) Cl.** ..... **02-03**
- (52) **U.S. Cl.** ..... **D2/882**
- (58) **Field of Search** ..... D2/865, 866, 871,  
D2/872, 873, 875, 876, 877, 879, 882;  
2/171, 181, 195.1, 195.2, 195.3, 209.13

- (56) **References Cited**
- U.S. PATENT DOCUMENTS**
- D67,305 S \* 5/1925 Rawak ..... D2/886
- 2,883,669 A \* 4/1959 Rafowitz et al. .... 2/172
- D250,676 S \* 1/1979 McKinsey, Jr. .... D2/876
- 5,359,734 A 11/1994 Rathburn
- 5,477,629 A 12/1995 Gleason, Jr.
- D396,738 S \* 8/1998 Territo ..... D2/866
- D453,610 S \* 2/2002 Lee ..... D2/882
- D480,862 S \* 10/2003 Lee ..... D2/876

\* cited by examiner

*Primary Examiner*—Stacia Cadmus  
*Assistant Examiner*—Mimosa De

(57) **CLAIM**

The ornamental design for cap, as shown and described.

**DESCRIPTION**

FIG. 1 is a perspective view of a first embodiment of a cap showing my new design;  
 FIG. 2 is a front view of FIG. 1  
 FIG. 3 is a perspective view of a second embodiment of a cap showing my new design  
 FIG. 4 is a front view of FIG. 3  
 FIG. 5 is a perspective view of a third embodiment of a cap showing my new design  
 FIG. 6 is a right side view of FIG. 5  
 FIG. 7 is a perspective view of a fourth embodiment of a cap showing my new design; and,  
 FIG. 8 is a left side view of FIG. 7.

The broken line showing of the visor is for illustrative purposes only and forms no part of the claimed design, and the broken lines shown on the crown represent stitching.

**1 Claim, 4 Drawing Sheets**

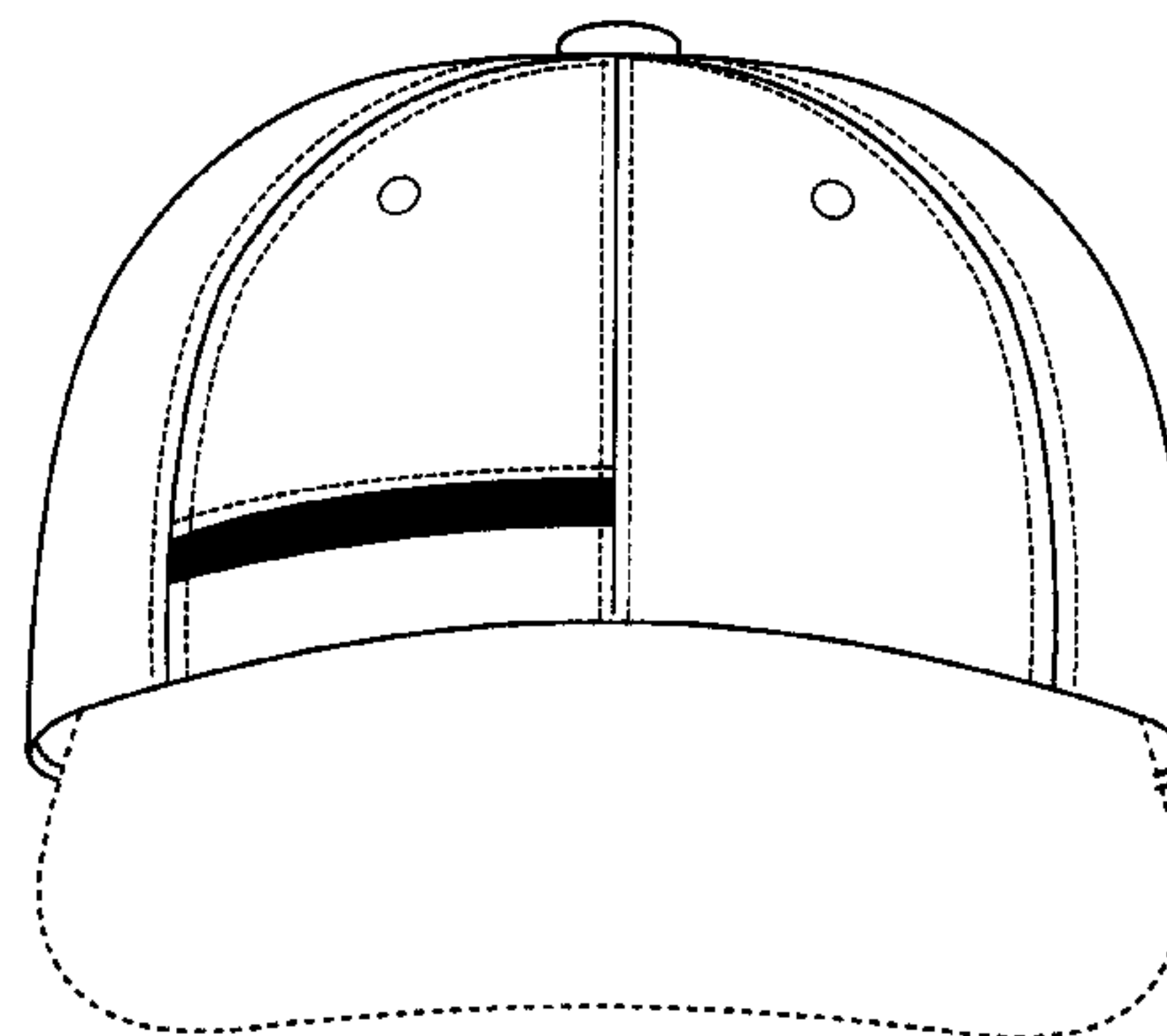
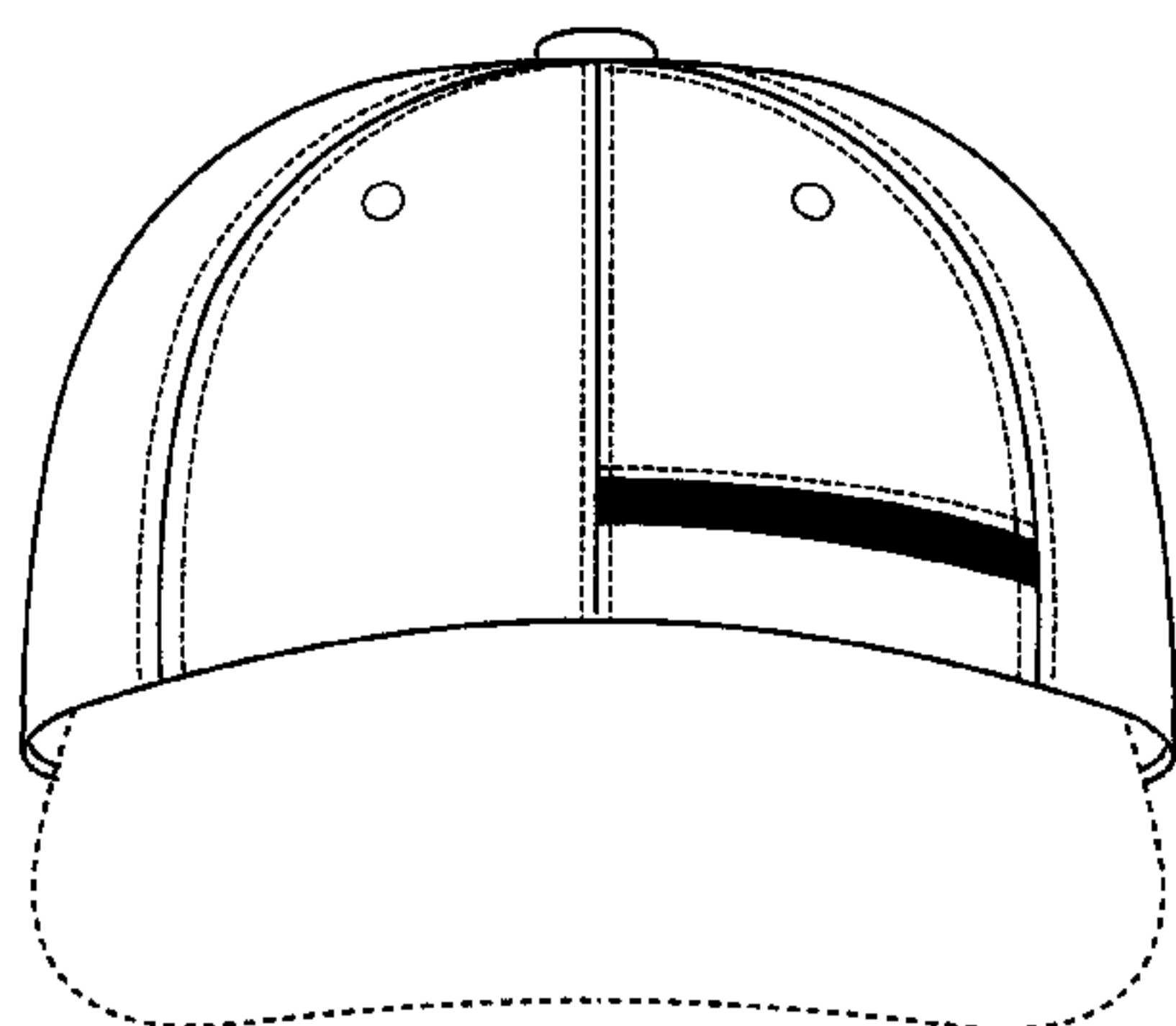
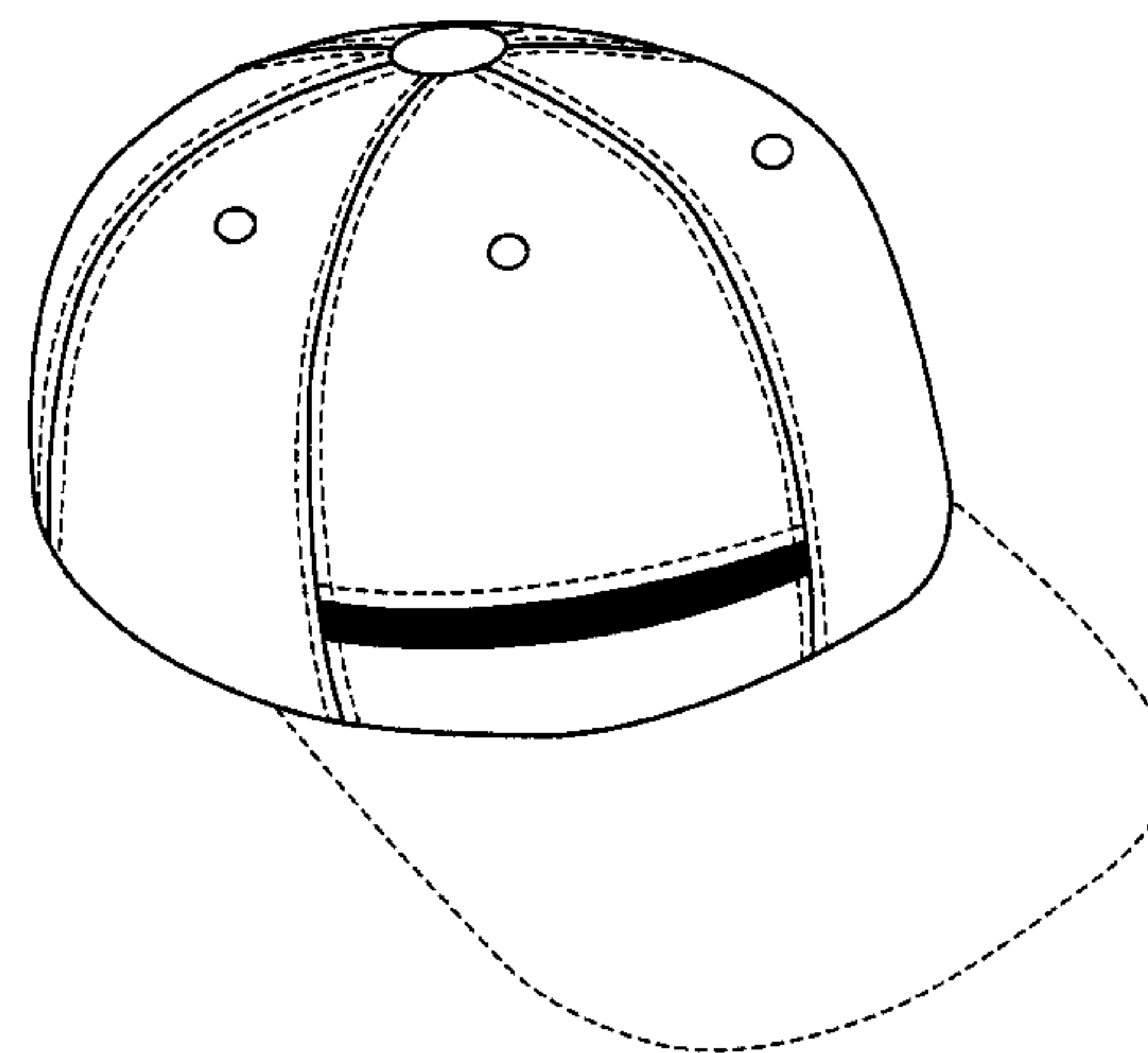
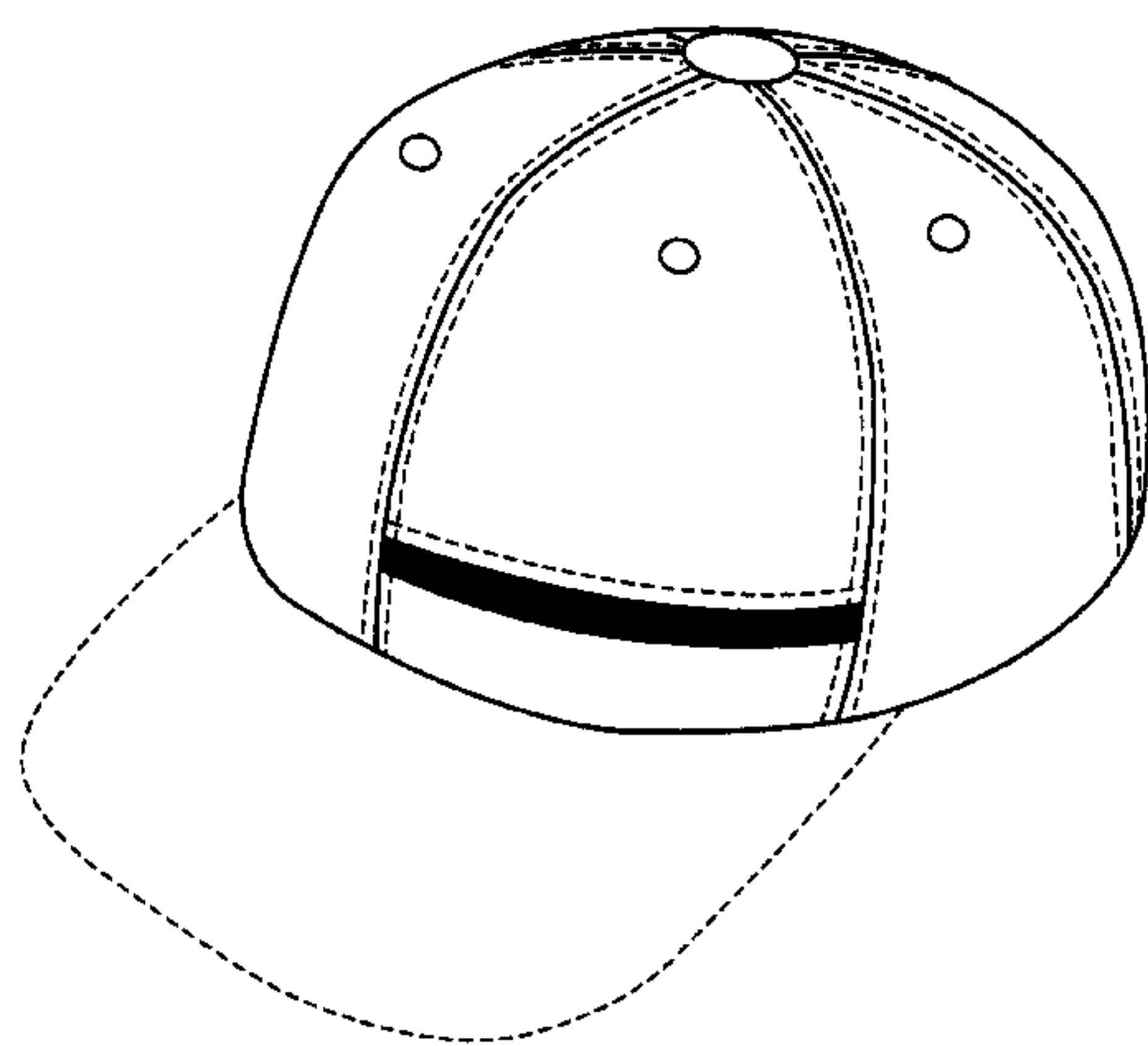


Fig.1

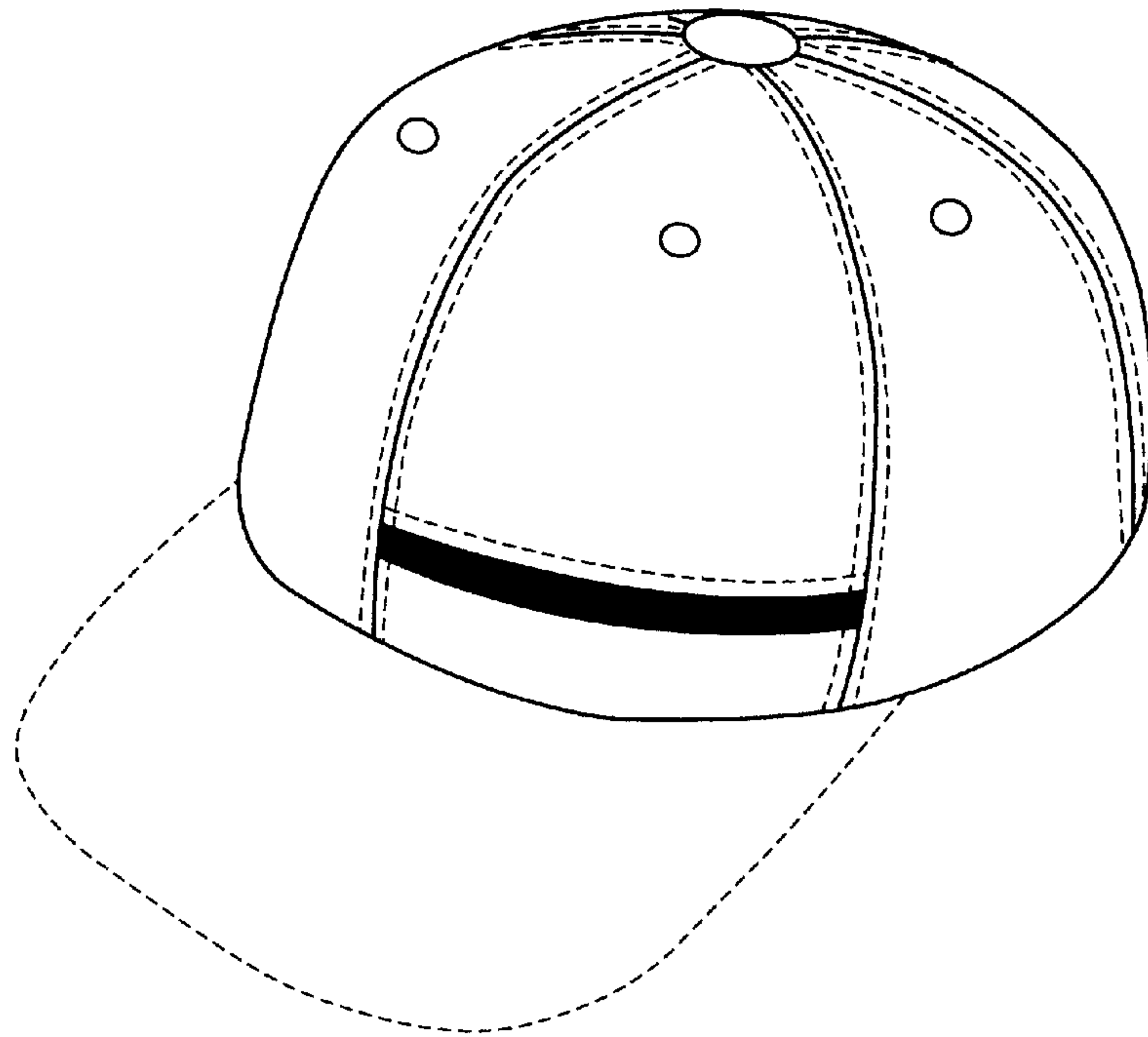


Fig.2

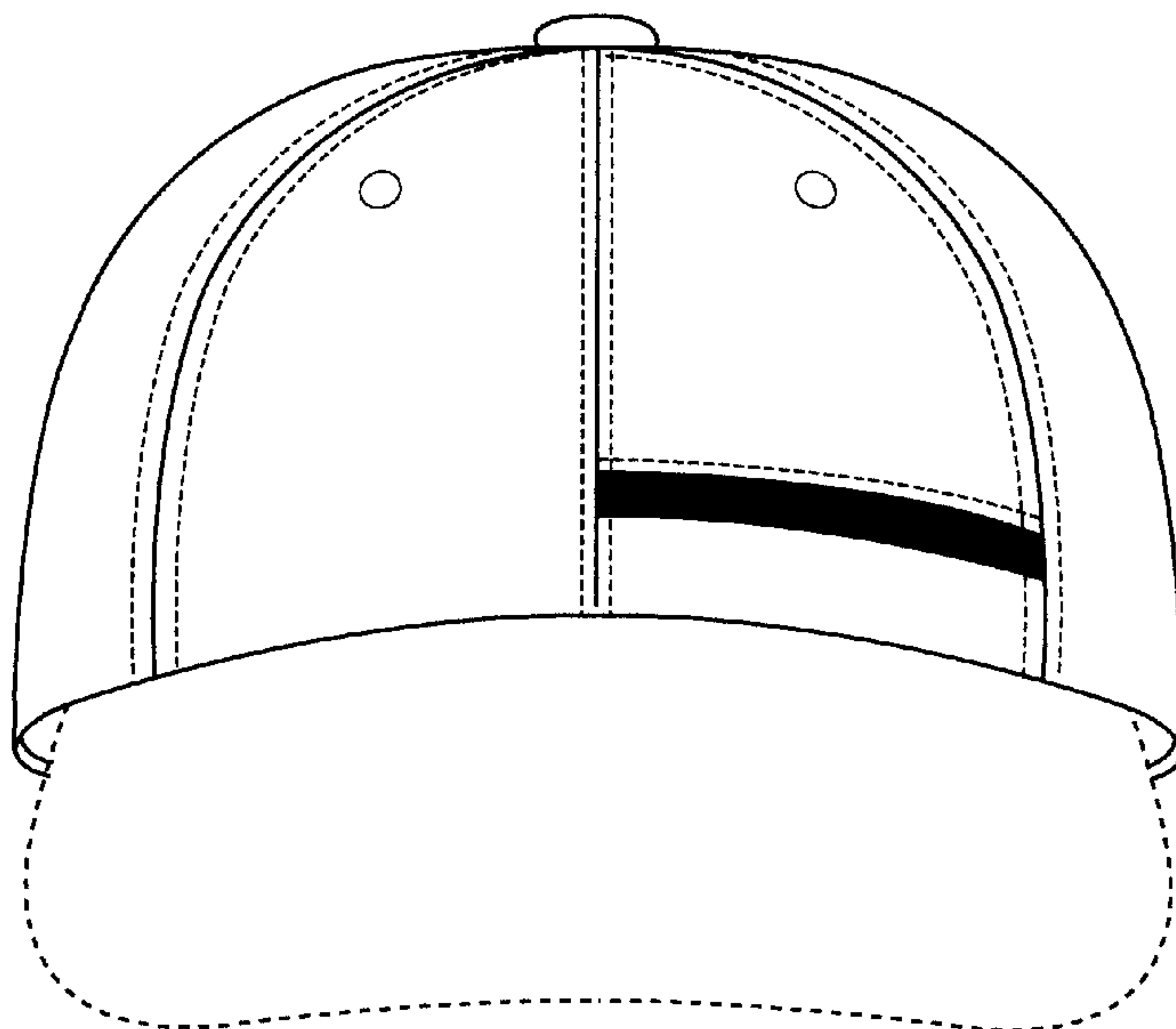


Fig.3

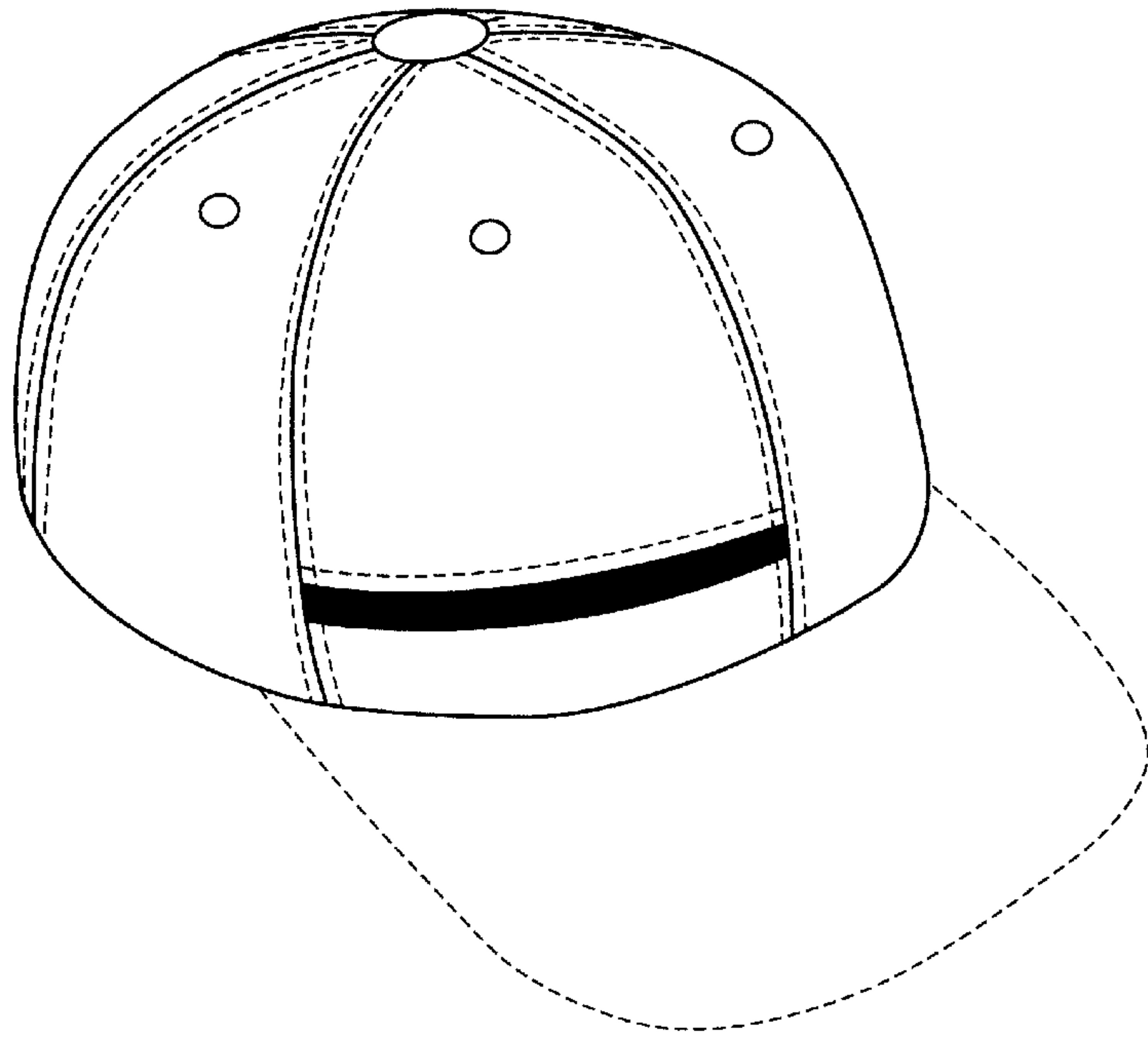


Fig.4

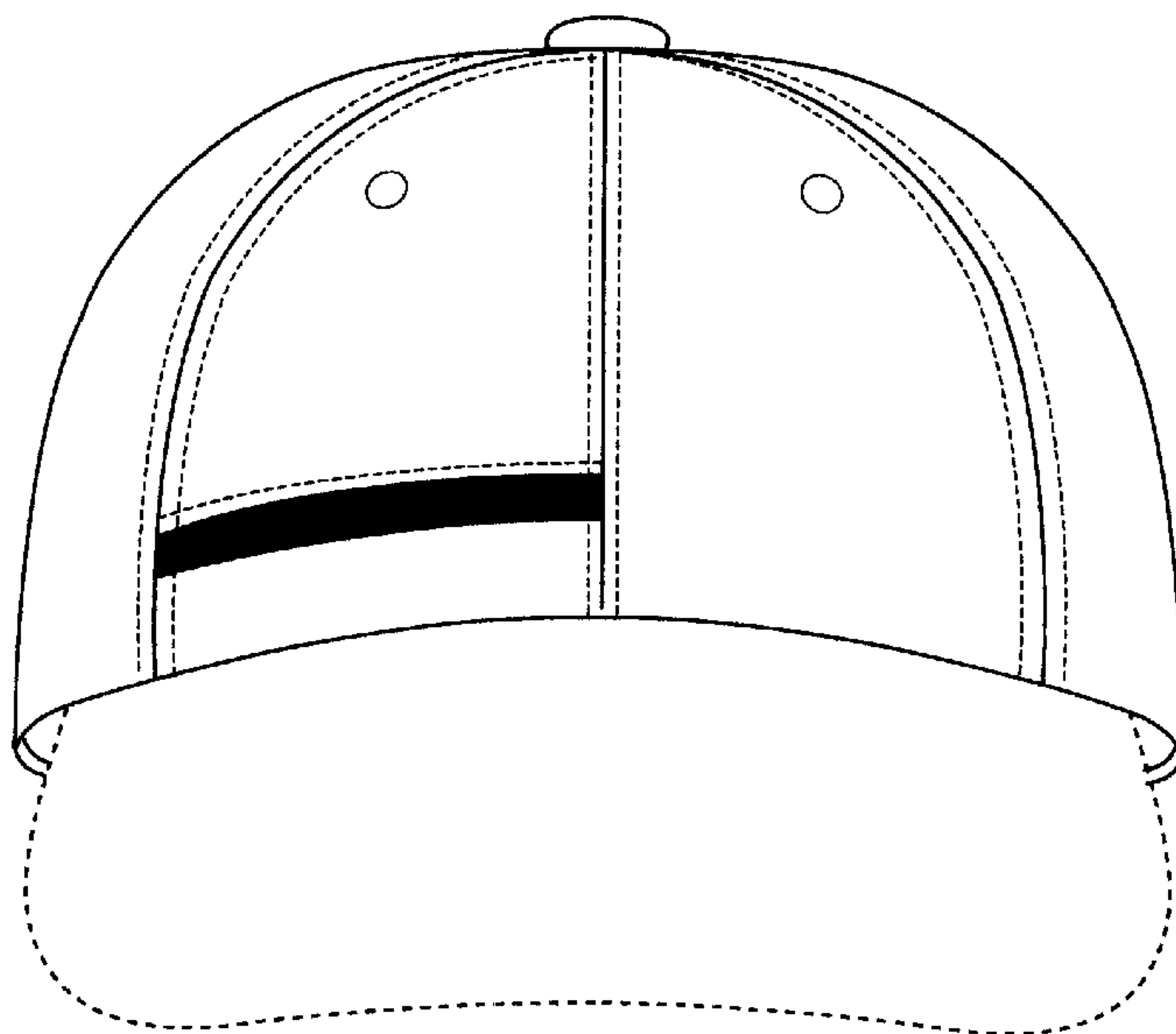


Fig.5

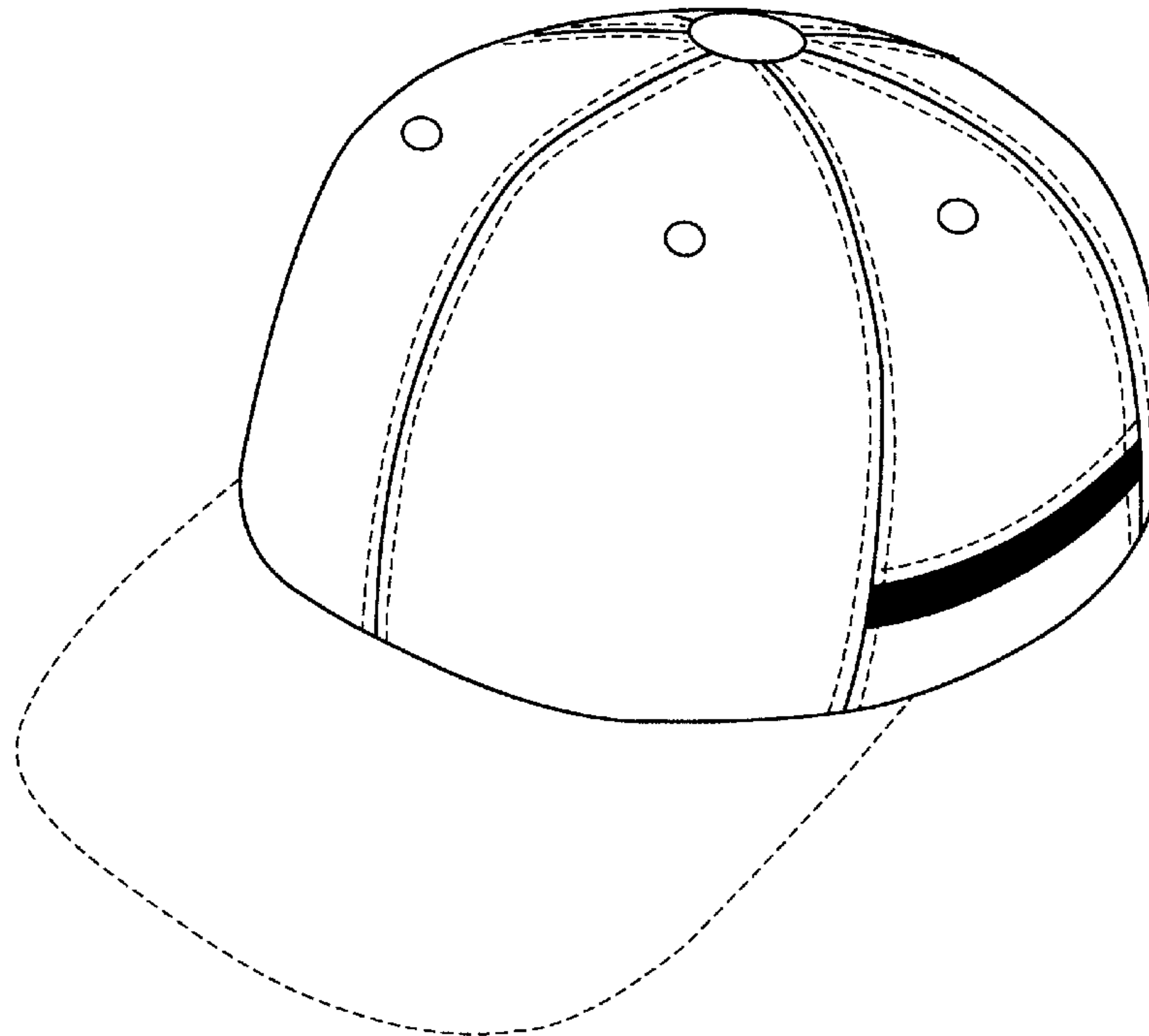


Fig.6

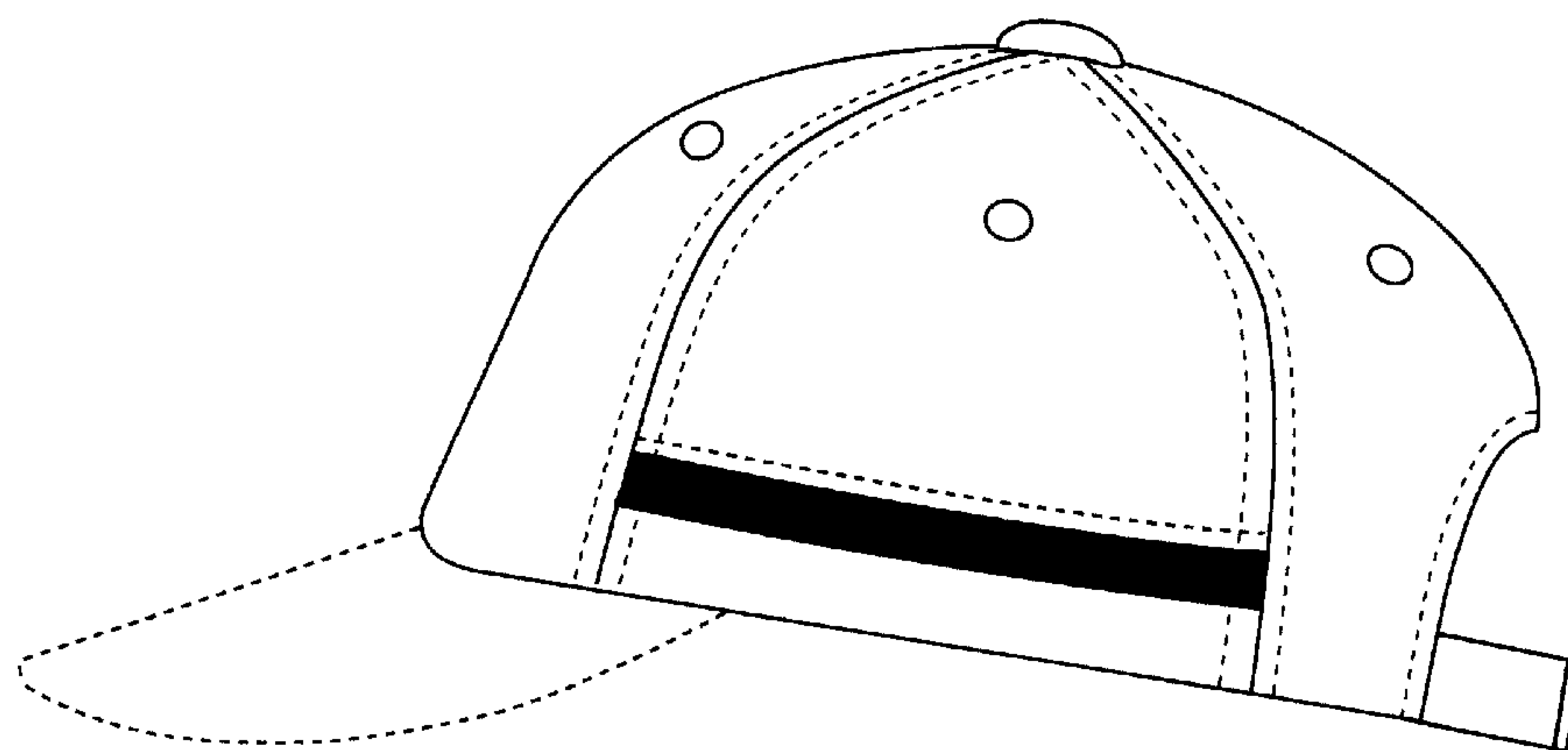


Fig.7

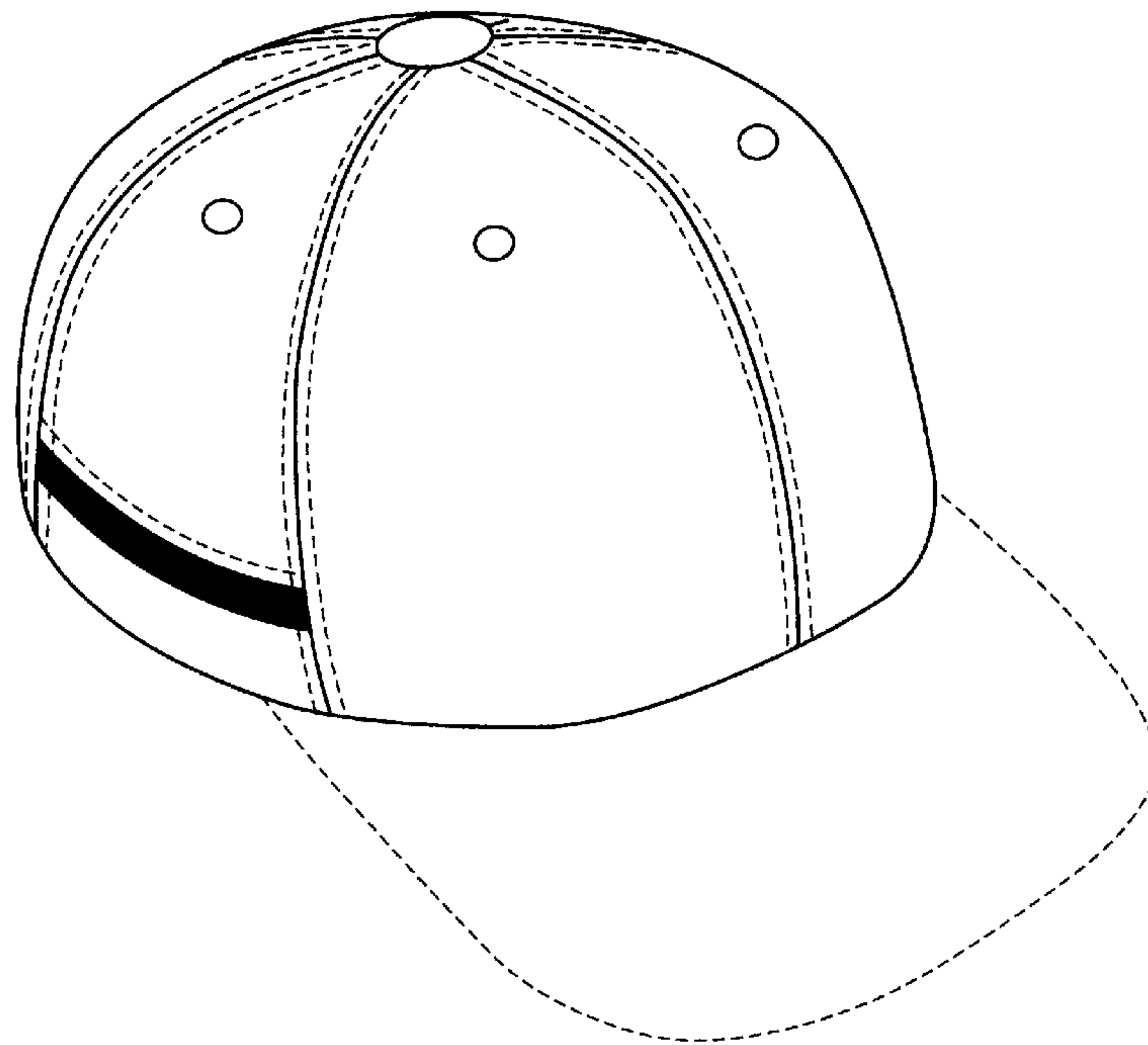


Fig.8

