



US00D492092S1

(12) **United States Design Patent**
Park

(10) **Patent No.:** **US D492,092 S**

(45) **Date of Patent:** **** Jun. 29, 2004**

(54) **FRONT PORTION OF A VISOR**

(75) **Inventor:** **Boo Yi Park, Seoul (KR)**

(73) **Assignee:** **Dada Corp., Seoul (KR)**

(**) **Term:** **14 Years**

(21) **Appl. No.:** **29/180,069**

(22) **Filed:** **Apr. 21, 2003**

(51) **LOC (7) Cl.** **02-03**

(52) **U.S. Cl.** **D2/876**

(58) **Field of Search** D2/865, 868, 869,
D2/872, 873, 875, 876, 879, 882, 893,
894, 886; 2/171, 181, 195.1, 195.2, 195.3,
209.13, 12

(56) **References Cited**

U.S. PATENT DOCUMENTS

D67,305 S * 5/1925 Rawak D2/886
2,883,669 A * 4/1959 Rafowitz et al. 2/172
6,199,213 B1 * 3/2001 Whang 2/181
D453,610 S * 2/2002 Lee D2/882

6,408,443 B1 * 6/2002 Park 2/195.1
D459,861 S 7/2002 Park
D480,862 S * 10/2003 Lee D2/876

* cited by examiner

Primary Examiner—Stacia Cadmus

Assistant Examiner—Mimosa De

(57) **CLAIM**

The ornamental design for “front portion of a visor,” as shown and described.

DESCRIPTION

FIG. 1 is a perspective view of “front portion of a visor” showing my new design

FIG. 2 is a front view of FIG. 1

FIG. 3 is a second embodiment of “front portion of a visor” showing my new design; and,

FIG. 4 is a front view of FIG. 3.

The broken line showing of the crown and the visor is for illustrative purposes only and forms no part of the claimed design, and the broken line shown in the solid line on the part of the crown represents stitching.

1 Claim, 2 Drawing Sheets

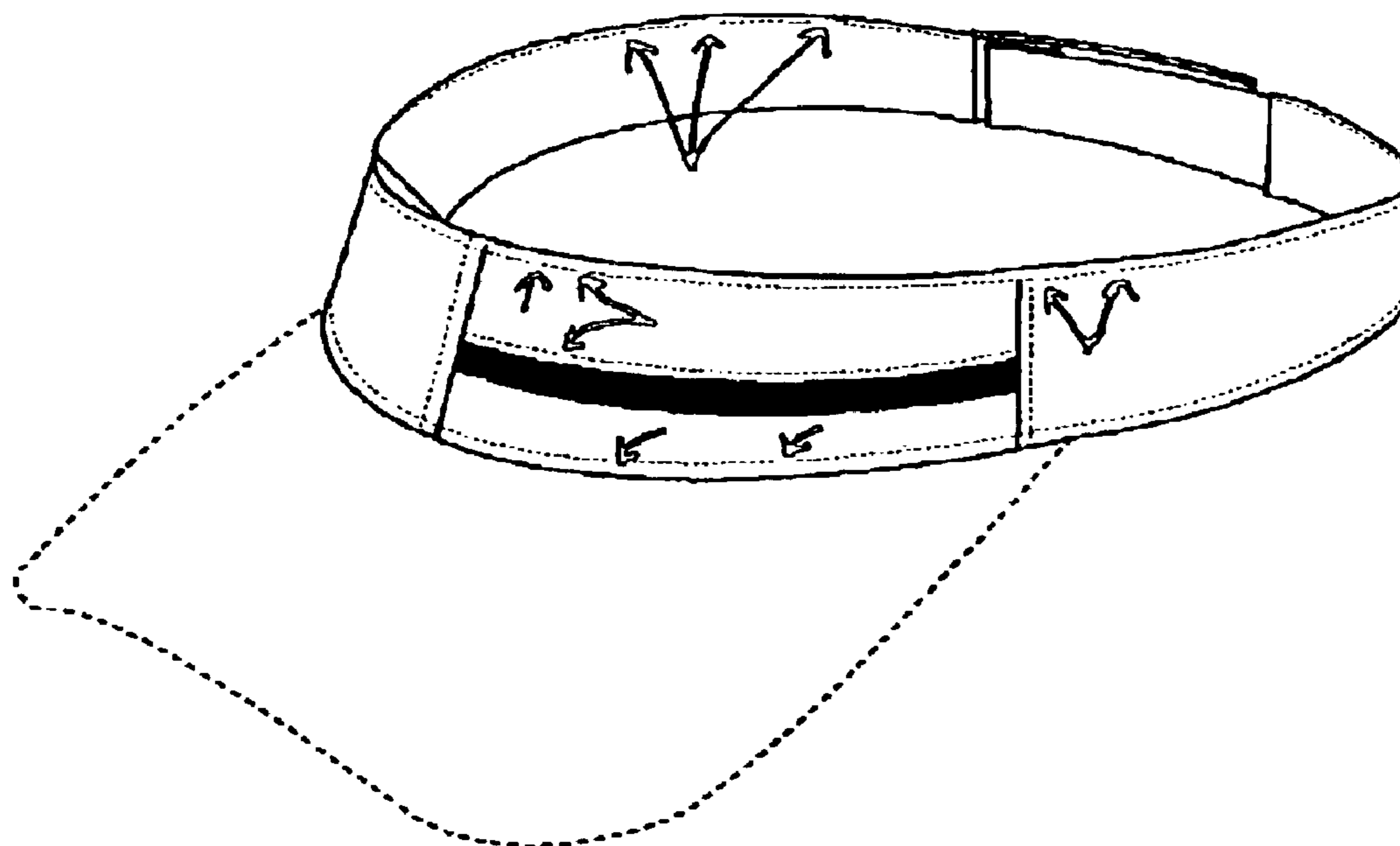


FIG. 1

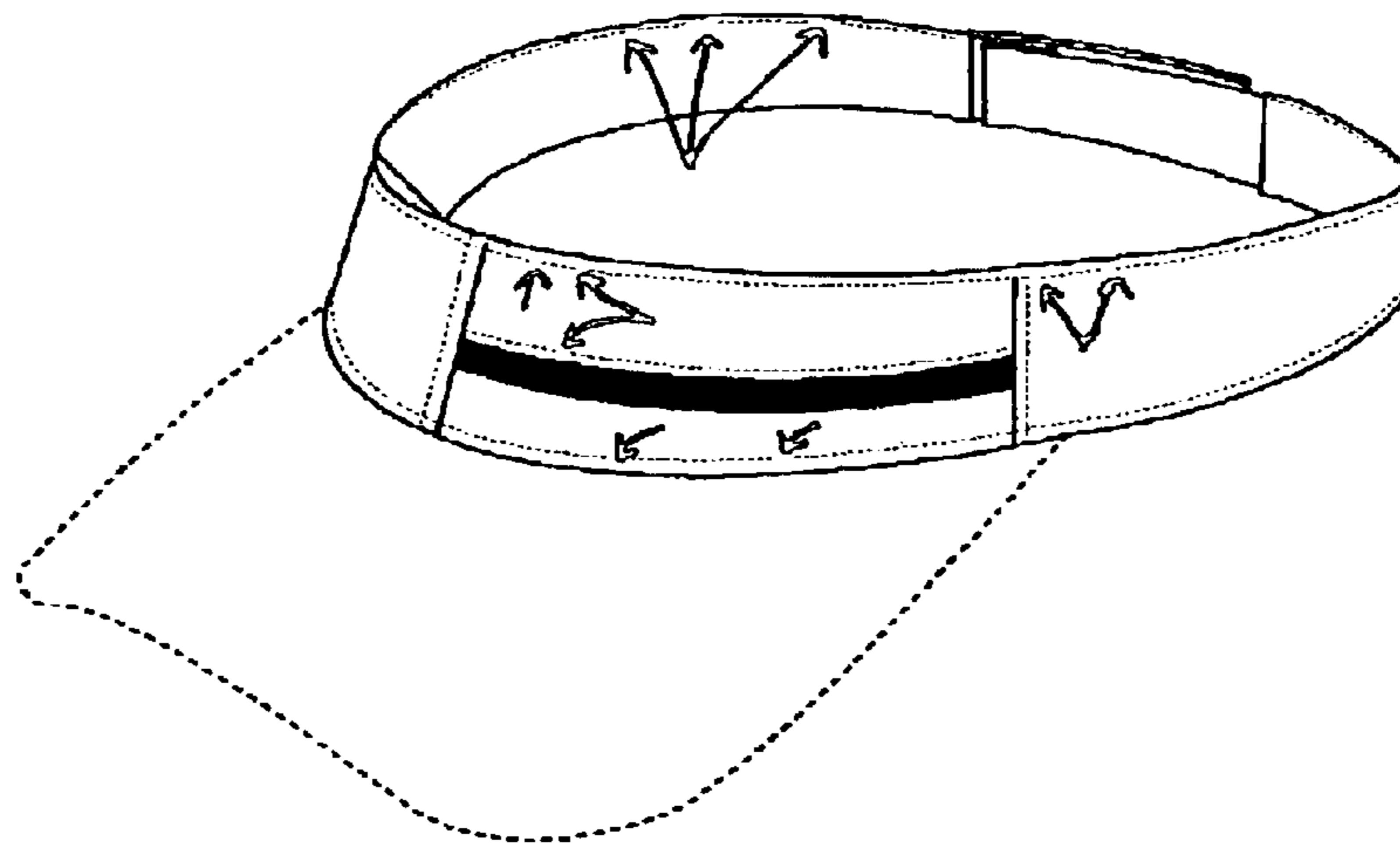


FIG. 2

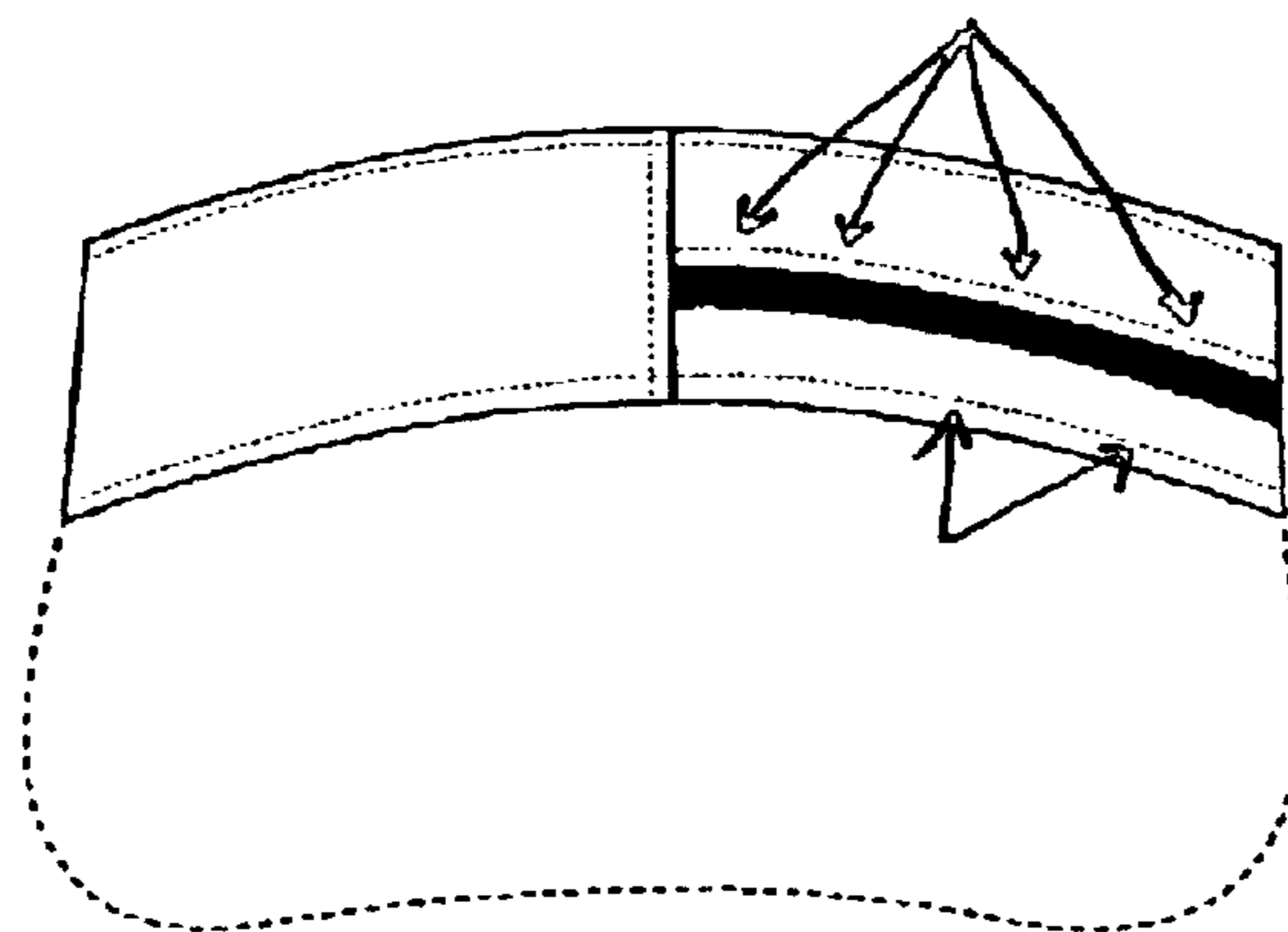


FIG.3

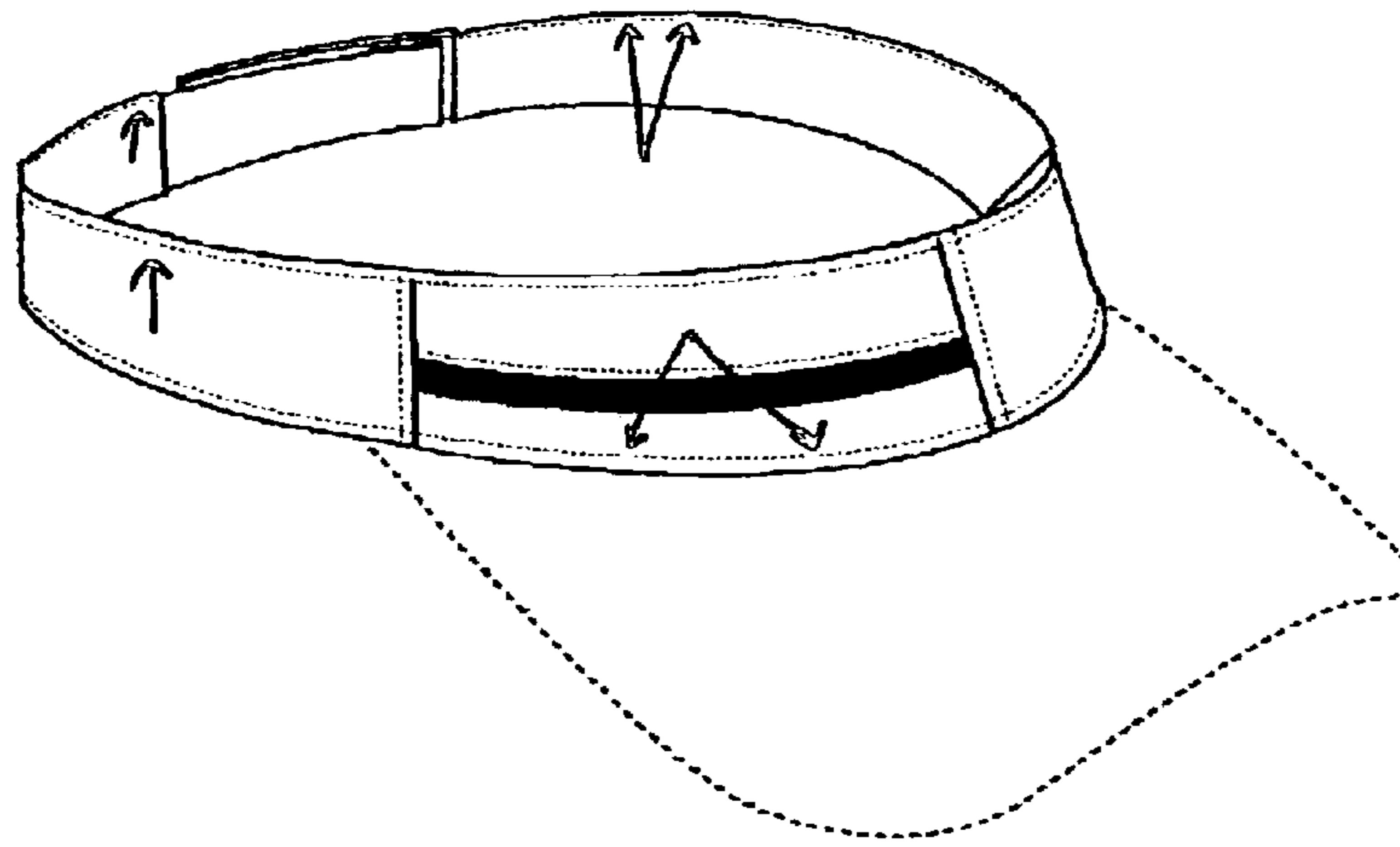


FIG.4

