

US00D492086S1

(12) **United States Design Patent**  
**Sagy et al.**

(10) **Patent No.: US D492,086 S**  
(45) **Date of Patent: \*\* Jun. 29, 2004**

(54) **TOP PORTION OF A CONTAINER AND  
VISCIOUS FLOWABLE FOOD PRODUCT**

(75) Inventors: **Arthur Avner Sagy**, Guttenberg, NJ  
(US); **Randall William Peters**,  
Yonkers, NY (US)

(73) Assignee: **Kraft Foods Holdings, Inc.**, Northfield,  
IL (US)

(\*\*) Term: **14 Years**

(21) Appl. No.: **29/172,110**

(22) Filed: **Dec. 6, 2002**

**Related U.S. Application Data**

(63) Continuation-in-part of application No. 29/153,916, filed on  
Jan. 16, 2002, now Pat. No. Des. 479,383.

(51) **LOC (7) Cl.** ..... **01-01**

(52) **U.S. Cl.** ..... **D1/102**

(58) **Field of Search** ..... D1/100-130, 199;  
426/104, 34-43, 115, 130, 583, 249, 330,  
330.2, 383; D9/337; D7/562, 584

(56) **References Cited**

**U.S. PATENT DOCUMENTS**

D168,547 S \* 1/1953 Ippolito ..... D21/374  
3,853,679 A \* 12/1974 Ierenzoni ..... 156/304.1 X  
3,892,868 A \* 7/1975 Klingler ..... 426/94  
4,884,717 A \* 12/1989 Bussard et al. .... 426/115 X  
6,068,865 A \* 5/2000 Lee et al. .... 426/43  
6,099,880 A \* 8/2000 Klacik et al. .... 426/249

**OTHER PUBLICATIONS**

Trans Global Trading <sup>TM</sup>Sugar Free Starlight Mints, ©1999,  
shown and described on pp. 1 and 2 from:<URL: http://  
transglobaltrading.com/item.cfm?SupplierID=5&Produc-  
tID=426, retrieved from the Internet Oct. 11, 2002.\*  
The Quilt Square Foundation Piecing Patterns, Peppermint  
Candy quilt pattern, ©1997, shown and described on pp. 2  
and 3 from:<URL: http://www.members.aol.com/heart2hnd/  
Dec.html, retrieved from the Internet on Oct. 11, 2002.\*  
Dairy Foods Dec. 2001 magazine, "Squeezing Swirls"  
article by Donna Berry on p. 18.\*

\* cited by examiner

*Primary Examiner*—Alan P. Douglas

*Assistant Examiner*—Linda Brooks

(74) *Attorney, Agent, or Firm*—Stites & Harbison PLLC;  
Marvin Petry

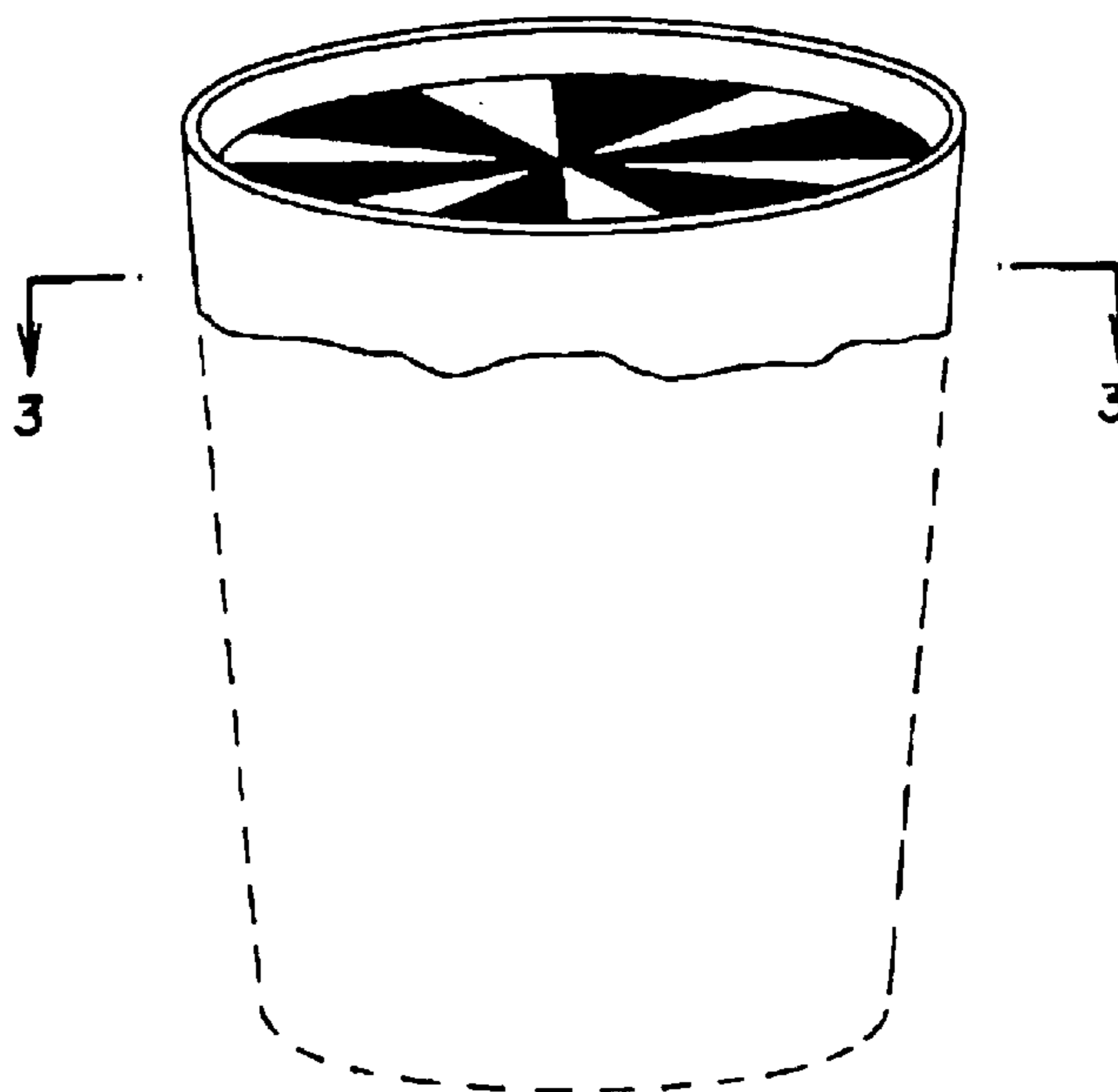
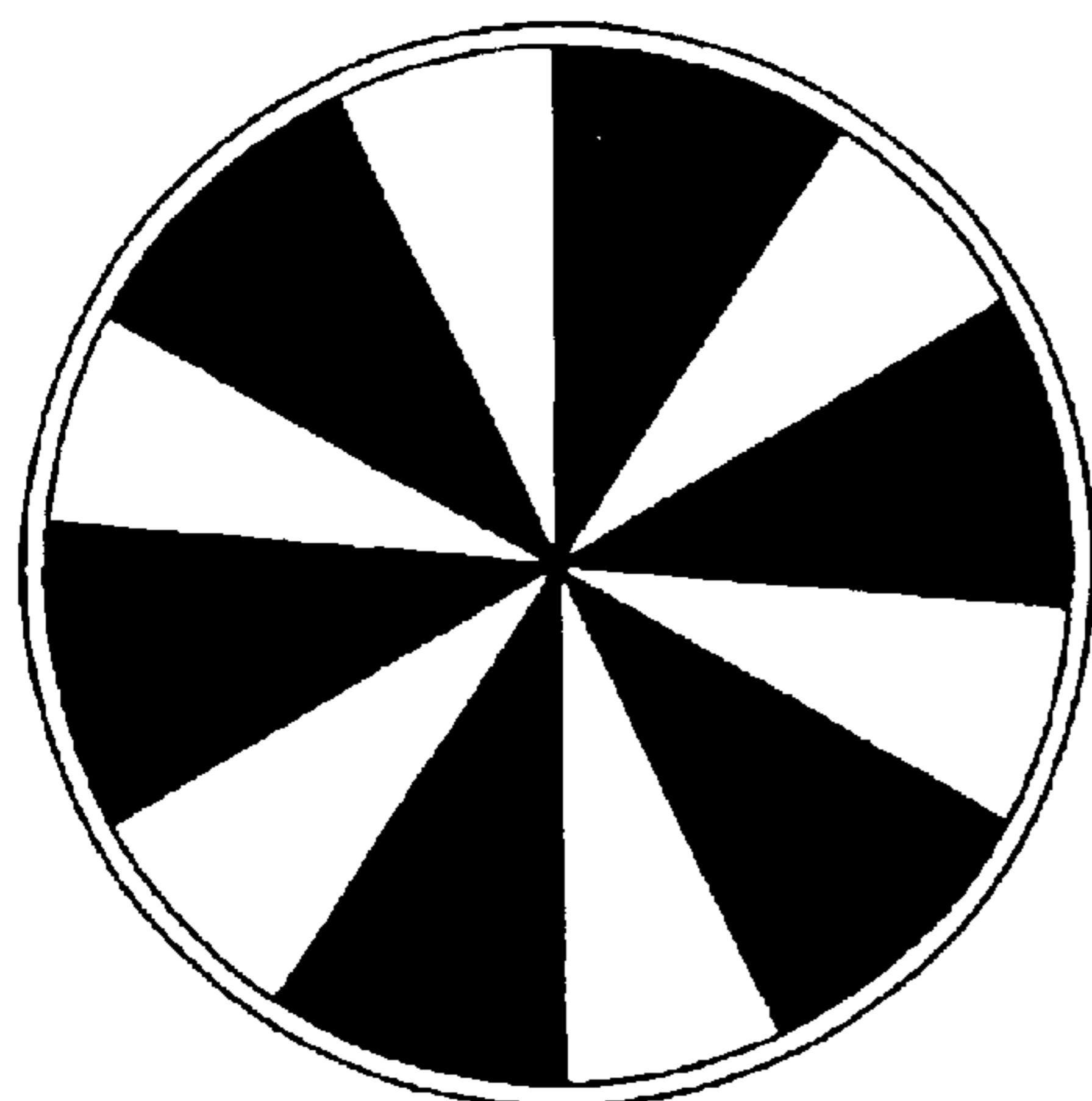
(57) **CLAIM**

We claim the ornamental design for a top portion of a  
container and viscous flowable food product, as shown and  
described.

**DESCRIPTION**

FIG. 1 is a top plan view of a top portion of a container and  
viscous flowable food product according to our new design.  
FIG. 2 is a top front perspective view thereof with the broken  
lines showing the remainder of the container which forms no  
part of the claimed design; and,  
FIG. 3 is a sectional view taken along line 3—3 of FIG. 2.  
The color black represents a contrasting color.

**1 Claim, 1 Drawing Sheet**



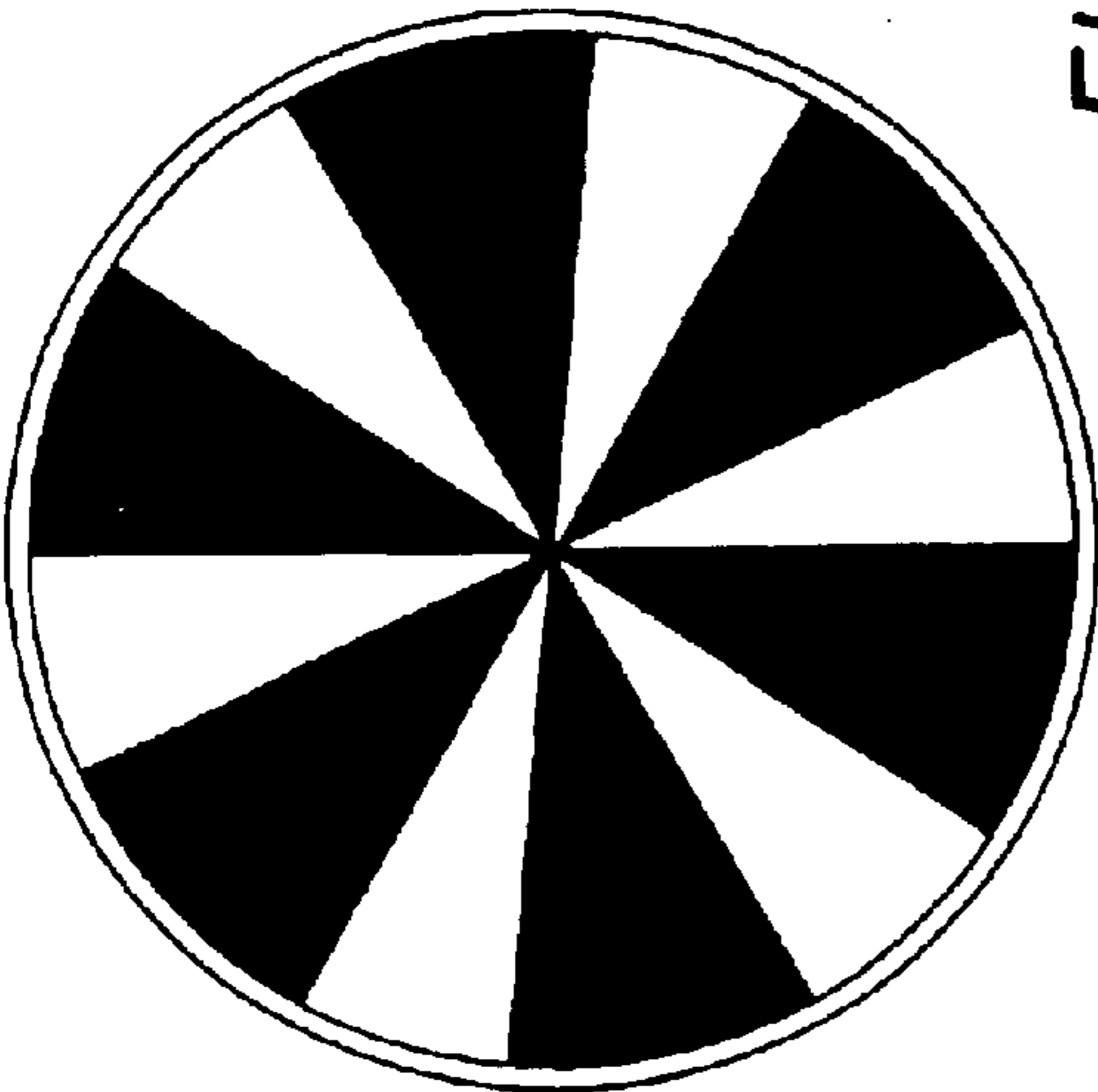


FIG. 1

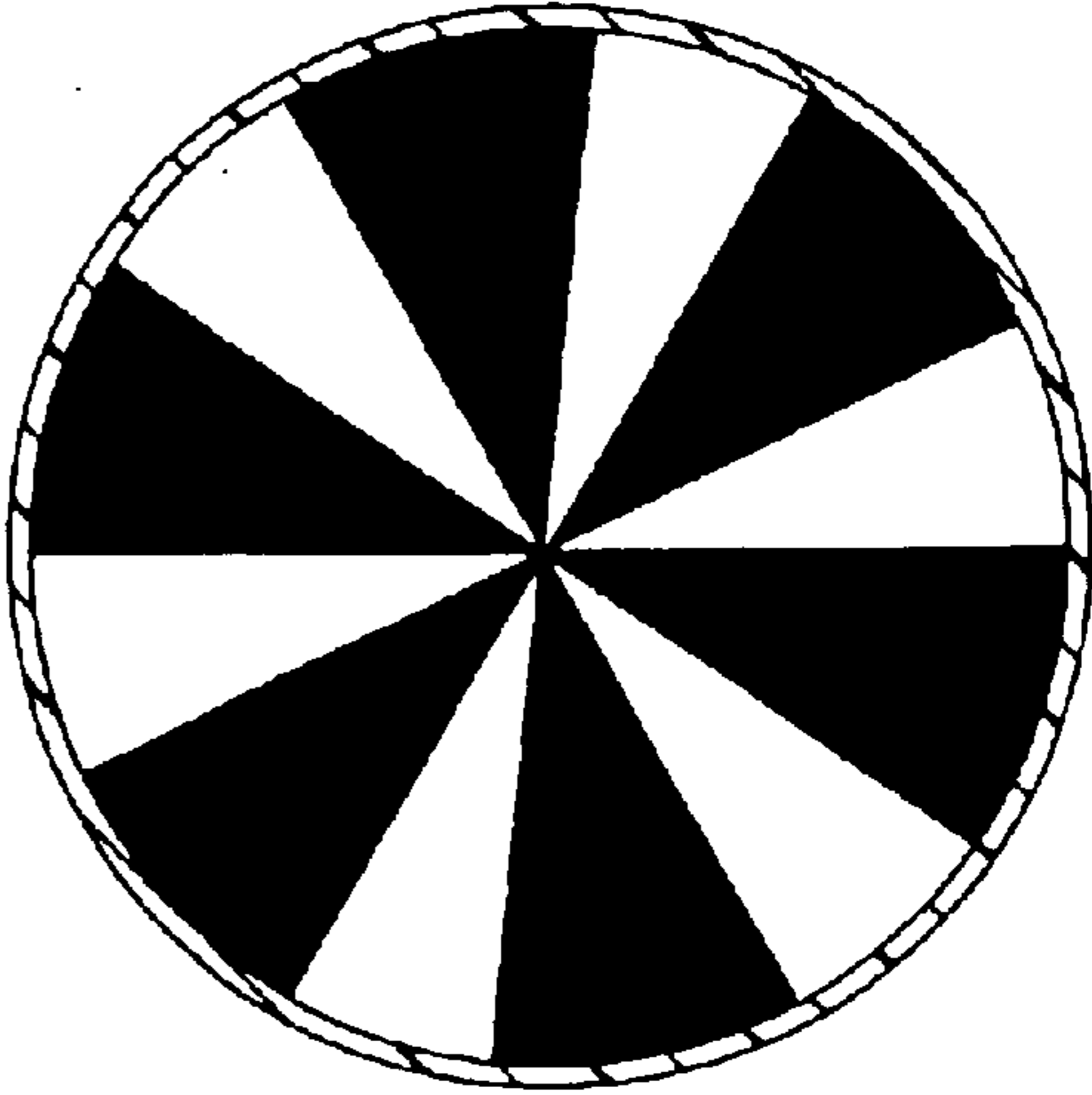


FIG. 3

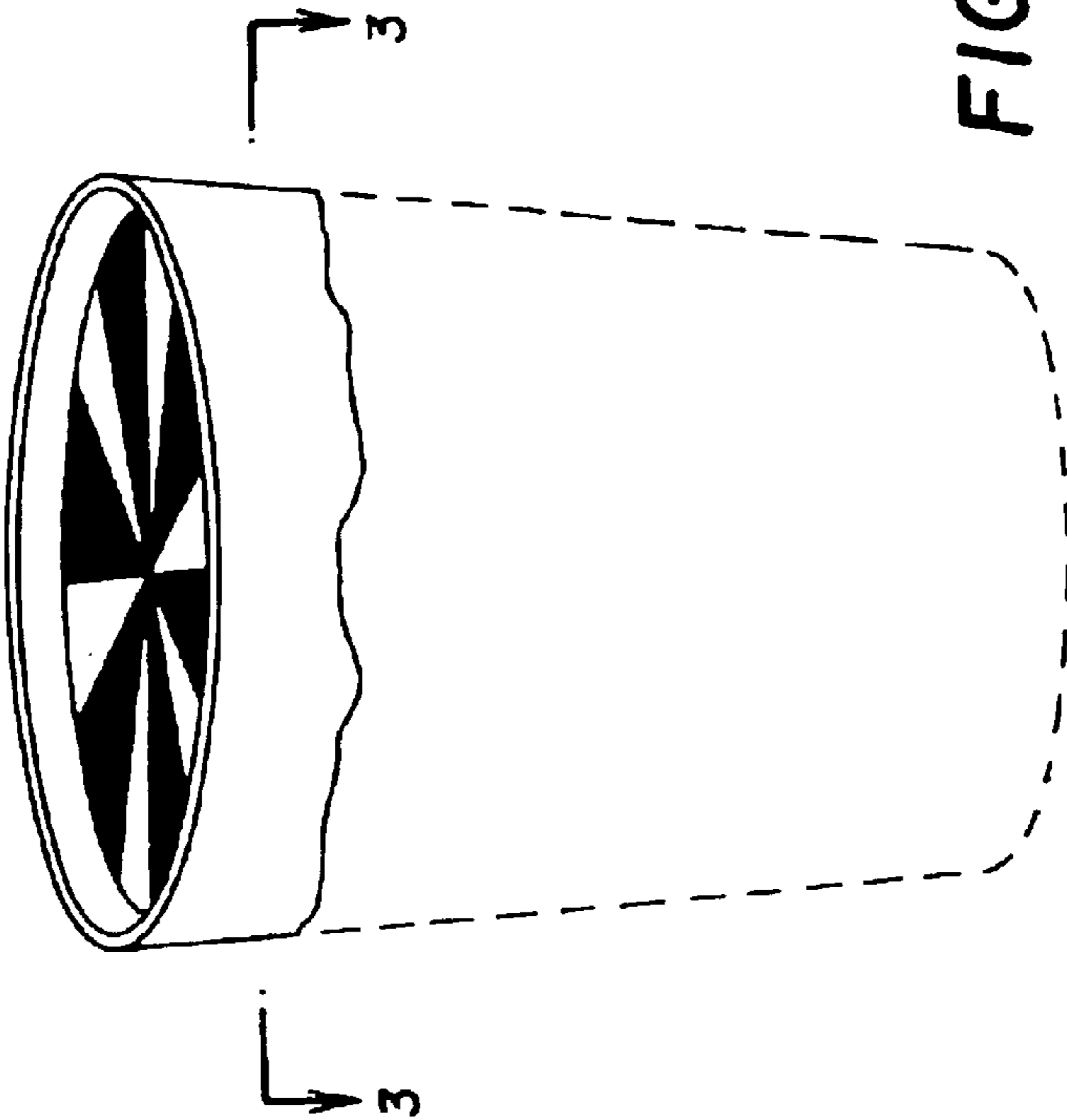


FIG. 2