

US00D492085S1

(12) **United States Design Patent**  
**Korte et al.**

(10) **Patent No.: US D492,085 S**  
(45) **Date of Patent: \*\* Jun. 22, 2004**

(54) **AUTOMATED TELLER MACHINE PRIVACY SURROUND**

(75) Inventors: **Steven Korte**, Canton, OH (US);  
**Donald S. Nelson, Jr.**, Akron, OH (US);  
**Michael J. Maczuzak**, Bratenahl, OH (US);  
**Jesse P. Carlson**, Bay Village, OH (US)

(73) Assignee: **Diebold Self-Service Systems a division of Diebold, Incorporated**, North Canton, OH (US)

(\*\*) Term: **14 Years**

(21) Appl. No.: **29/192,312**

(22) Filed: **Oct. 17, 2003**

(51) **LOC (7) Cl.** ..... **99-00**

(52) **U.S. Cl.** ..... **D99/43**

(58) **Field of Search** ..... D99/28, 36, 41,  
D99/43, 35; D20/10; D6/396, 421; 312/7.2;  
D14/449; D25/16, 58; 348/842; 52/239

(56) **References Cited**

**U.S. PATENT DOCUMENTS**

D272,293 S \* 1/1984 Barthel ..... D99/43

D332,017 S \* 12/1992 King ..... D6/421  
D405,976 S \* 2/1999 Beall ..... D6/396  
D411,753 S \* 6/1999 Jobin ..... D99/43  
D423,755 S \* 4/2000 Ha ..... D99/28  
D425,725 S \* 5/2000 Whitaker ..... D6/421  
D455,889 S \* 4/2002 Jobin ..... D99/43

\* cited by examiner

*Primary Examiner*—Paula A. Greene

(74) *Attorney, Agent, or Firm*—Ralph E. Jocke; Walker & Jocke

(57) **CLAIM**

We claim the ornamental design for an automated teller machine privacy surround, as shown.

**DESCRIPTION**

FIG. 1 is a front view with an automated teller machine which is not a part of the invention shown in phantom.

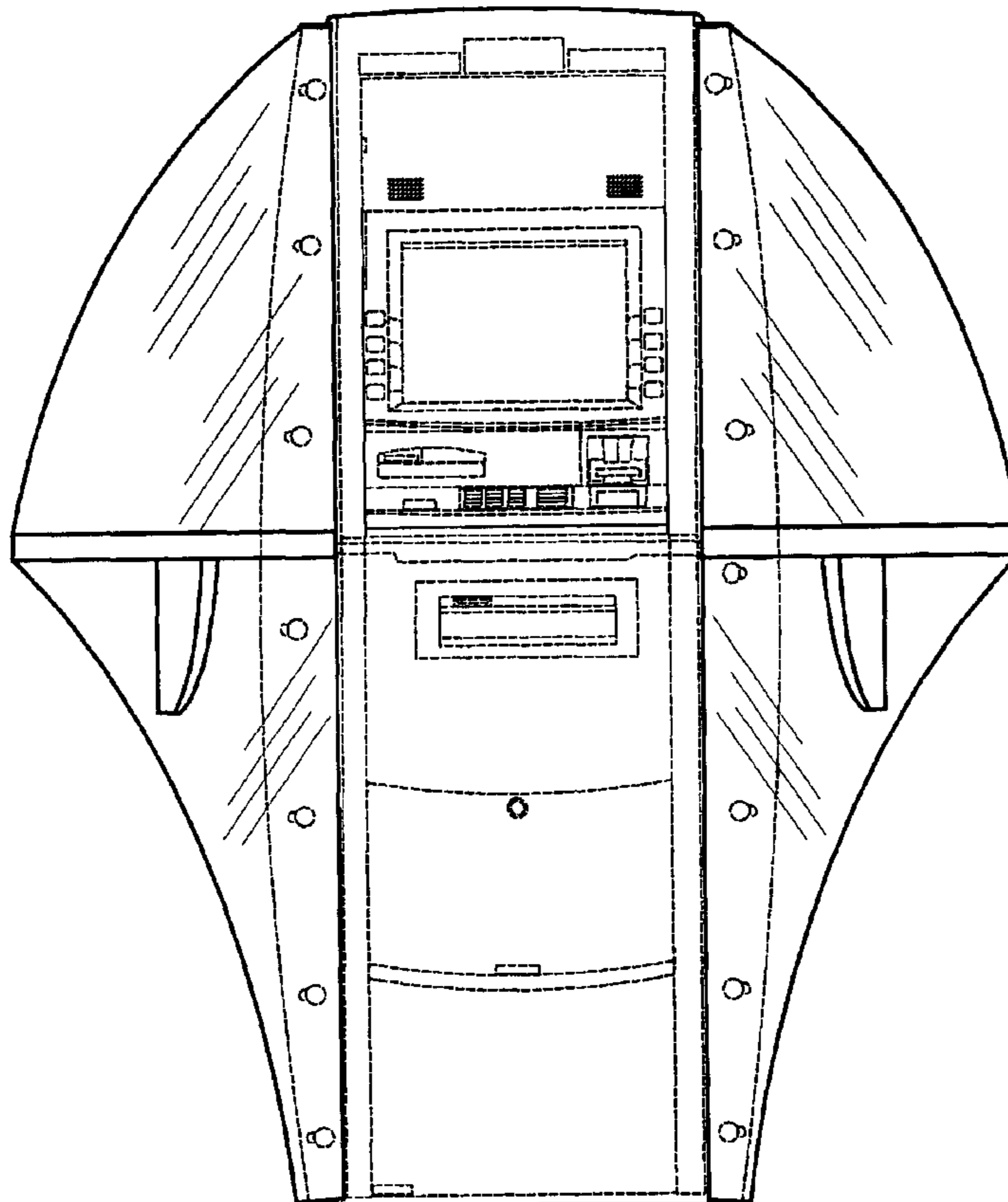
FIG. 2 is a top view.

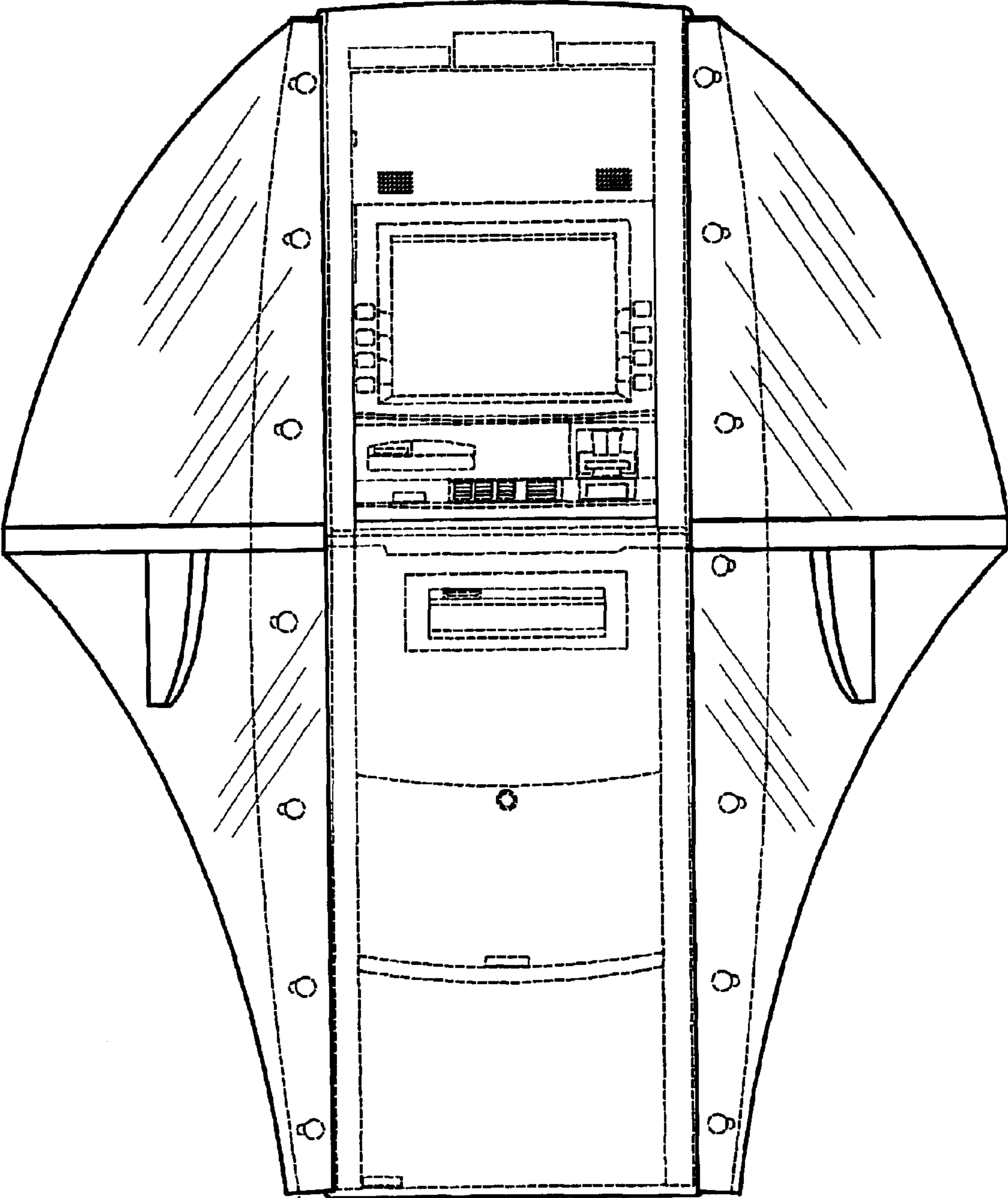
FIG. 3 is a left side view.

FIG. 4 is a right side view; and,

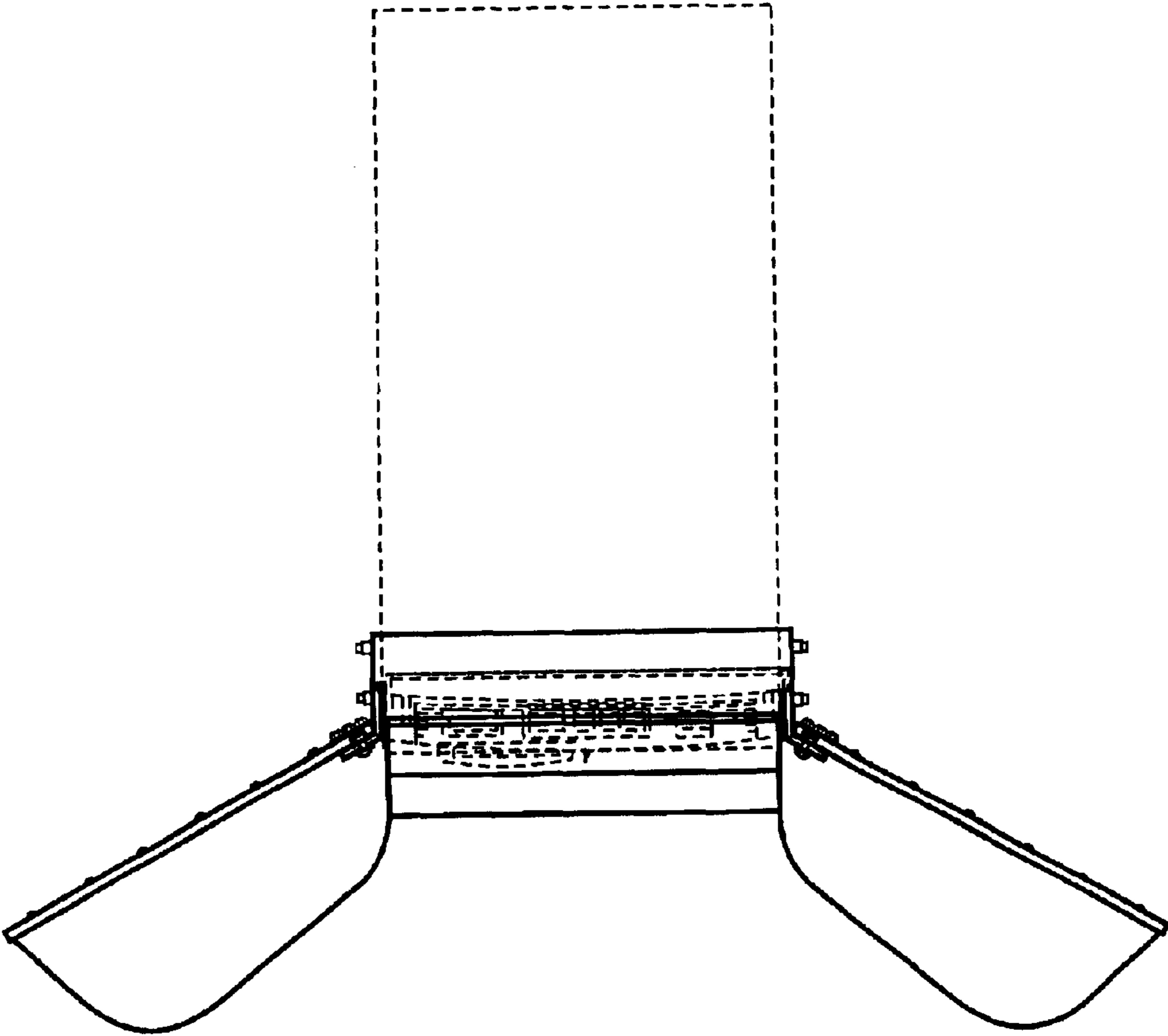
FIG. 5 is a back view.

**1 Claim, 4 Drawing Sheets**

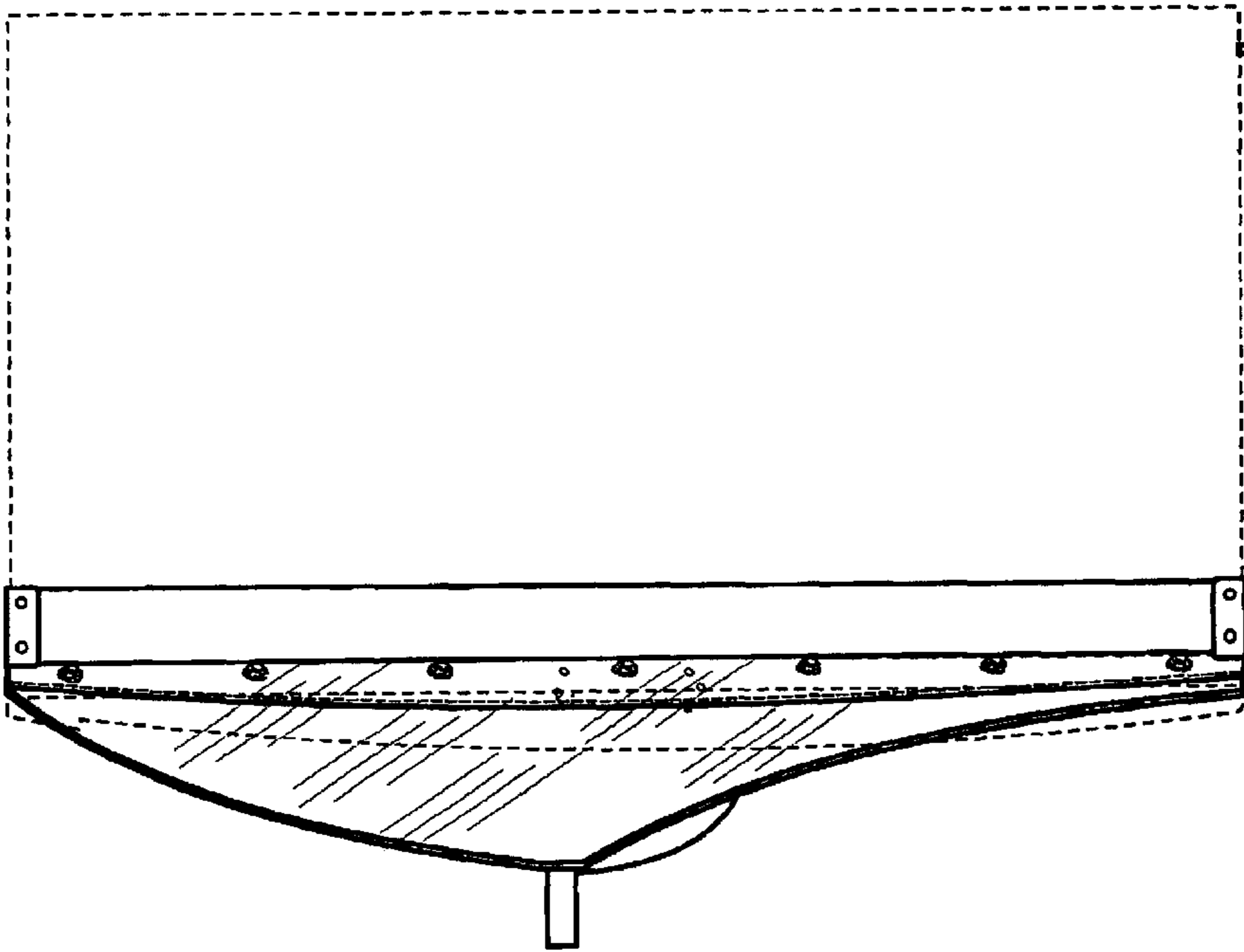




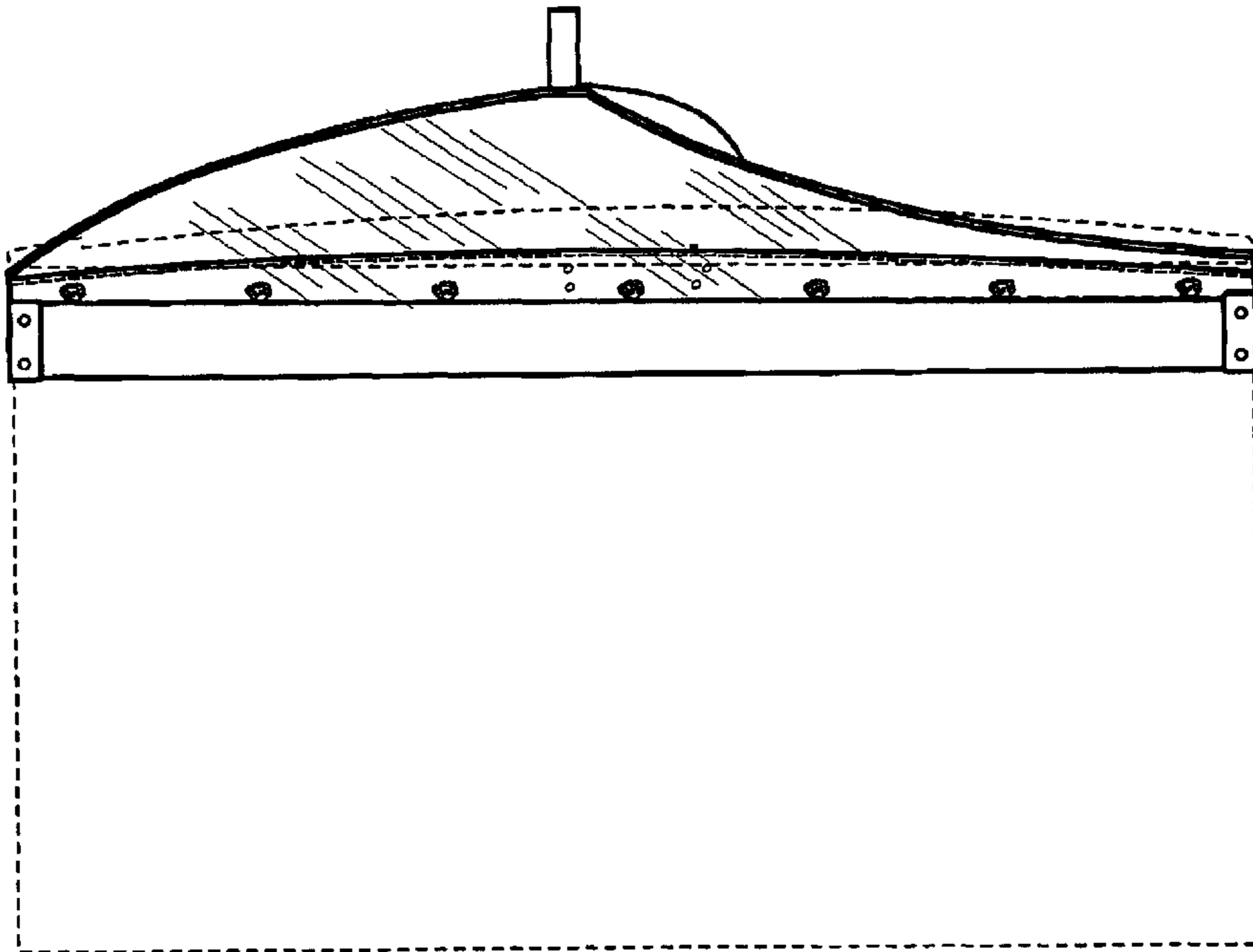
**FIG. 1**



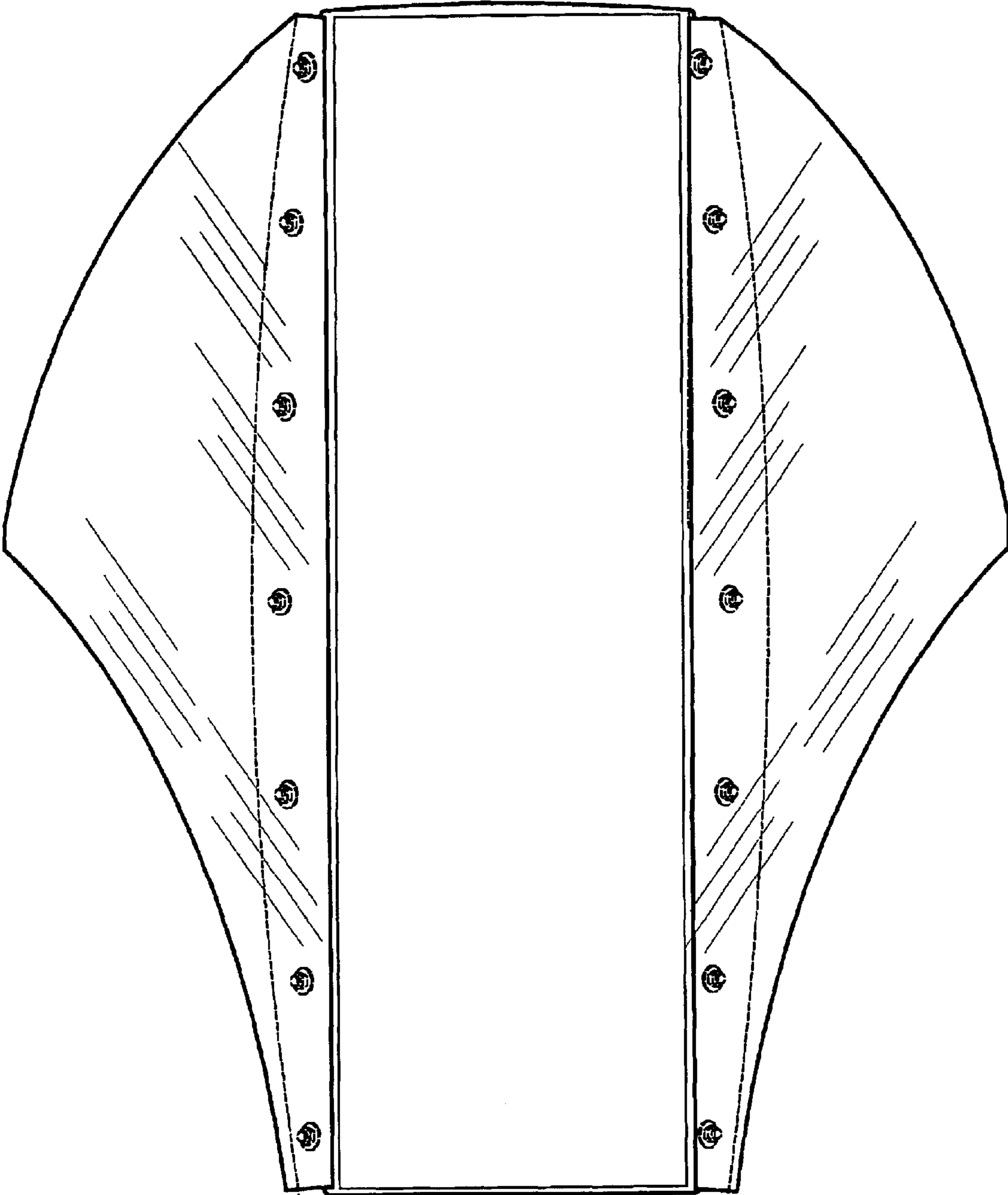
**FIG. 2**



**FIG. 4**



**FIG. 3**



**FIG. 5**

---