

US00D492076S1

(12) **United States Design Patent**  
**Kollen**

(10) **Patent No.:** **US D492,076 S**  
(45) **Date of Patent:** **\*\* Jun. 22, 2004**

(54) **BIN CART**

D480,527 S \* 10/2003 Kollen ..... D34/21

(76) **Inventor:** **Glenn Hahn Kollen**, 3727 Vickers  
Lake Dr., Jacksonville, FL (US) 32224

\* cited by examiner

*Primary Examiner*—Kay H. Chin

(\*\*) **Term:** **14 Years**

(57) **CLAIM**

(21) **Appl. No.:** **29/187,807**

The ornamental design for a bin cart, as shown and described.

(22) **Filed:** **Aug. 8, 2003**

**DESCRIPTION**

(51) **LOC (7) Cl.** ..... **12-02**

(52) **U.S. Cl.** ..... **D34/21**

(58) **Field of Search** ..... D34/12-27; 280/79.11,  
280/79.2, 79.4, 47.34, 47.24, 47.27, 47.28,  
47.29, 652, 33.991-33.997

The bin cart provides for the storage and transfer of various size bins. The bin cart has the capability of holding two (2) bins of various depth, length and width. When tilted, the bin cart is supported by the back two wheel or when upright by relying on the back wheels and the two front rubber stoppers. The intended use of the bin cart is for the storage of homeowner recycle bins while allowing the homeowner easy transfer of recycle bins from home to the curb.

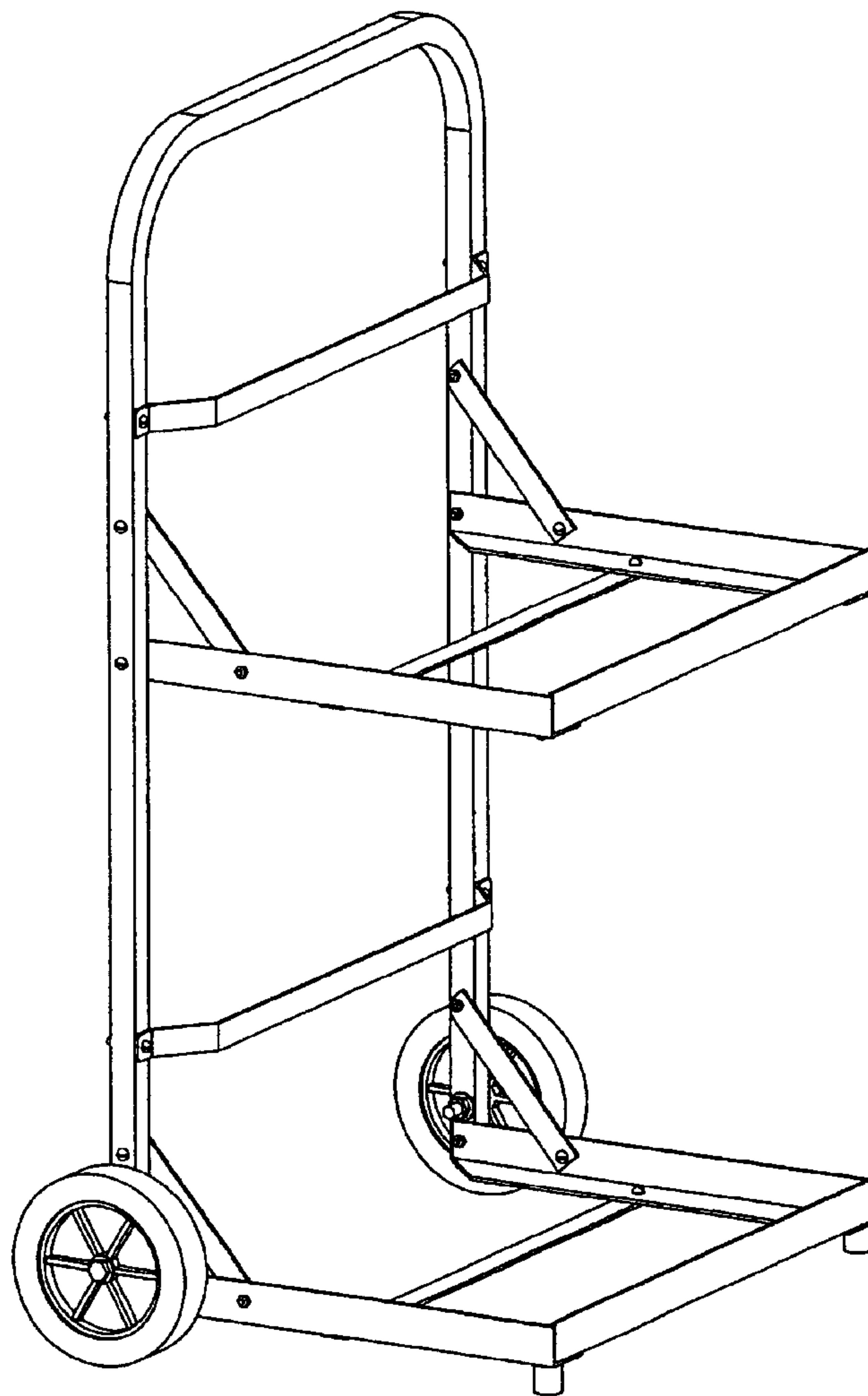
(56) **References Cited**

**U.S. PATENT DOCUMENTS**

D362,526 S	*	9/1995	Andreen et al.	.....	D34/12
D449,913 S	*	10/2001	Walter	.....	D34/21
D455,243 S	*	4/2002	Walter	.....	D34/21
D472,027 S	*	3/2003	Walter	.....	D34/21

FIG. 1 is a front view of a bin cart showing my new design; and,  
FIG. 2 is a rear view of the preferred embodiment in FIG. 1.

**1 Claim, 2 Drawing Sheets**



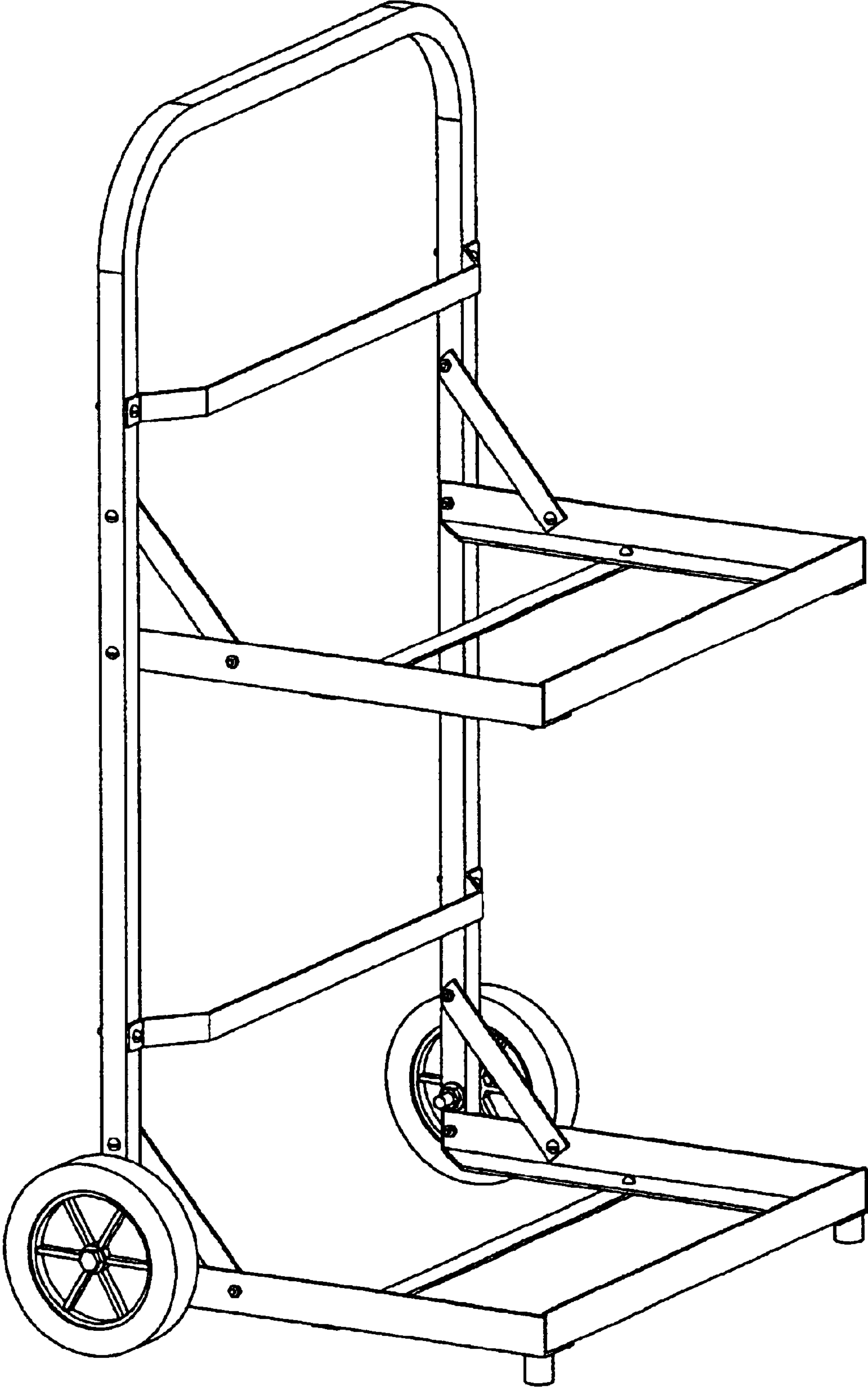


FIGURE 1

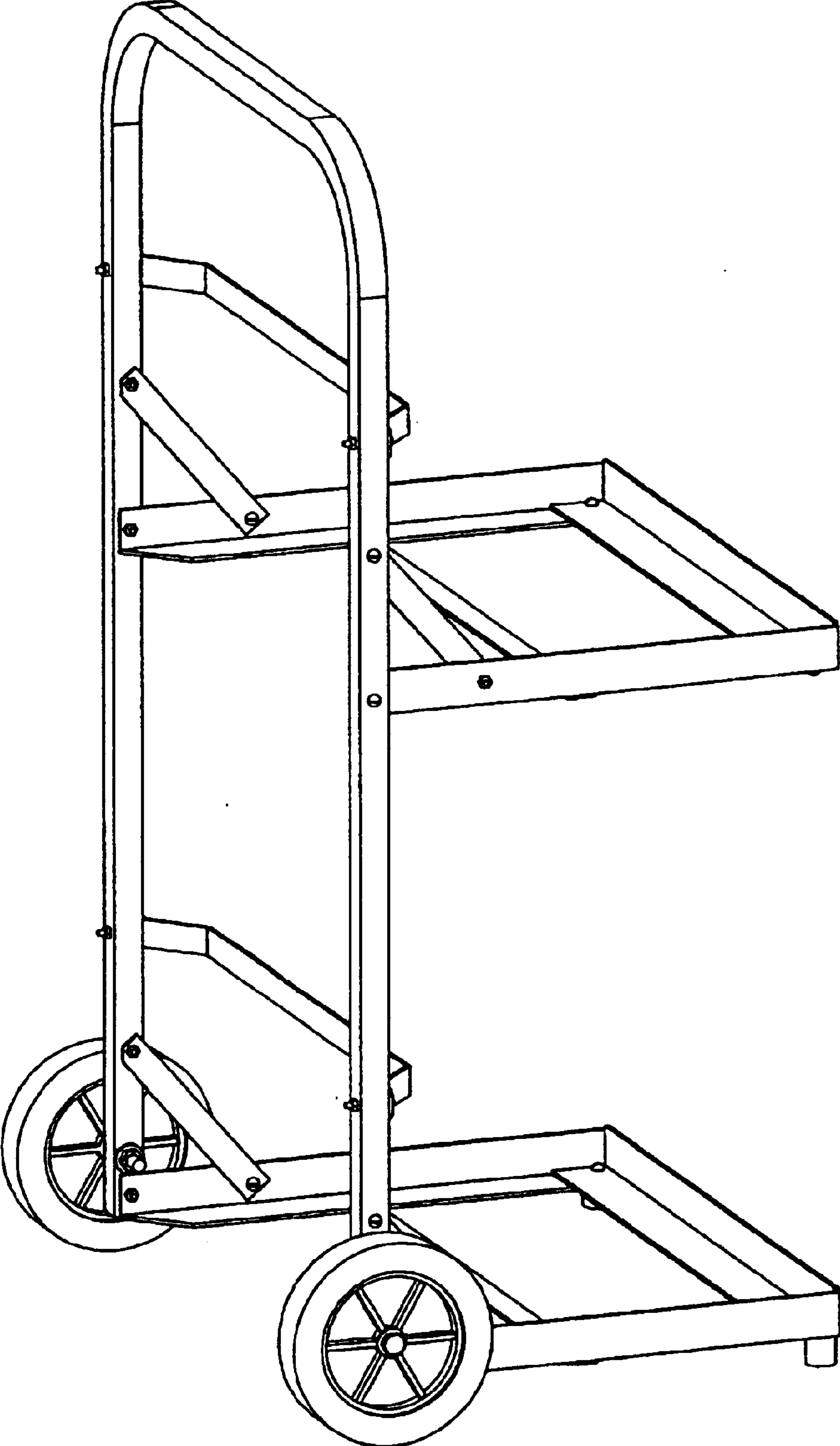


FIGURE 2