

US00D492074S1

(12) **United States Design Patent**  
**Chiu**

(10) **Patent No.:** **US D492,074 S**  
(45) **Date of Patent:** **\*\* Jun. 22, 2004**

(54) **SCRAPER**

(75) **Inventor:** **Lien-Chen Chiu**, Taichung Hsien (TW)

(73) **Assignee:** **Goodly-Ch Enterprise Co., Ltd.**,  
Taichung Hsien (TW)

(\*\*) **Term:** **14 Years**

(21) **Appl. No.:** **29/193,476**

(22) **Filed:** **Nov. 10, 2003**

(51) **LOC (7) Cl.** ..... **08-05**

(52) **U.S. Cl.** ..... **D32/48**

(58) **Field of Search** ..... D32/40, 46-49;  
D8/16, 45; 15/236.01, 236.02, 236.05, 236.06;  
30/169, 171, 172

(56) **References Cited**

**U.S. PATENT DOCUMENTS**

D205,213	S	*	7/1966	Perry	.....	D32/48
3,363,316	A	*	1/1968	Skarsten	.....	30/171
D274,566	S	*	7/1984	Osterman	.....	D32/48
D274,952	S	*	7/1984	Gringer	.....	D32/48
D394,534	S	*	5/1998	Coulter	.....	D32/48

\* cited by examiner

*Primary Examiner*—Alan P. Douglas  
*Assistant Examiner*—Lavone D. Tabor

(74) *Attorney, Agent, or Firm*—Alan D. Kamrath; Nikolai & Mersereau, P.A.

(57) **CLAIM**

The ornamental design for scraper, as shown and described.

**DESCRIPTION**

FIG. 1 is a perspective view of a scraper showing my new design;

FIG. 2 is a front view thereof; the opposite side being a mirror image of the shown.

FIG. 3 is a left view thereof;

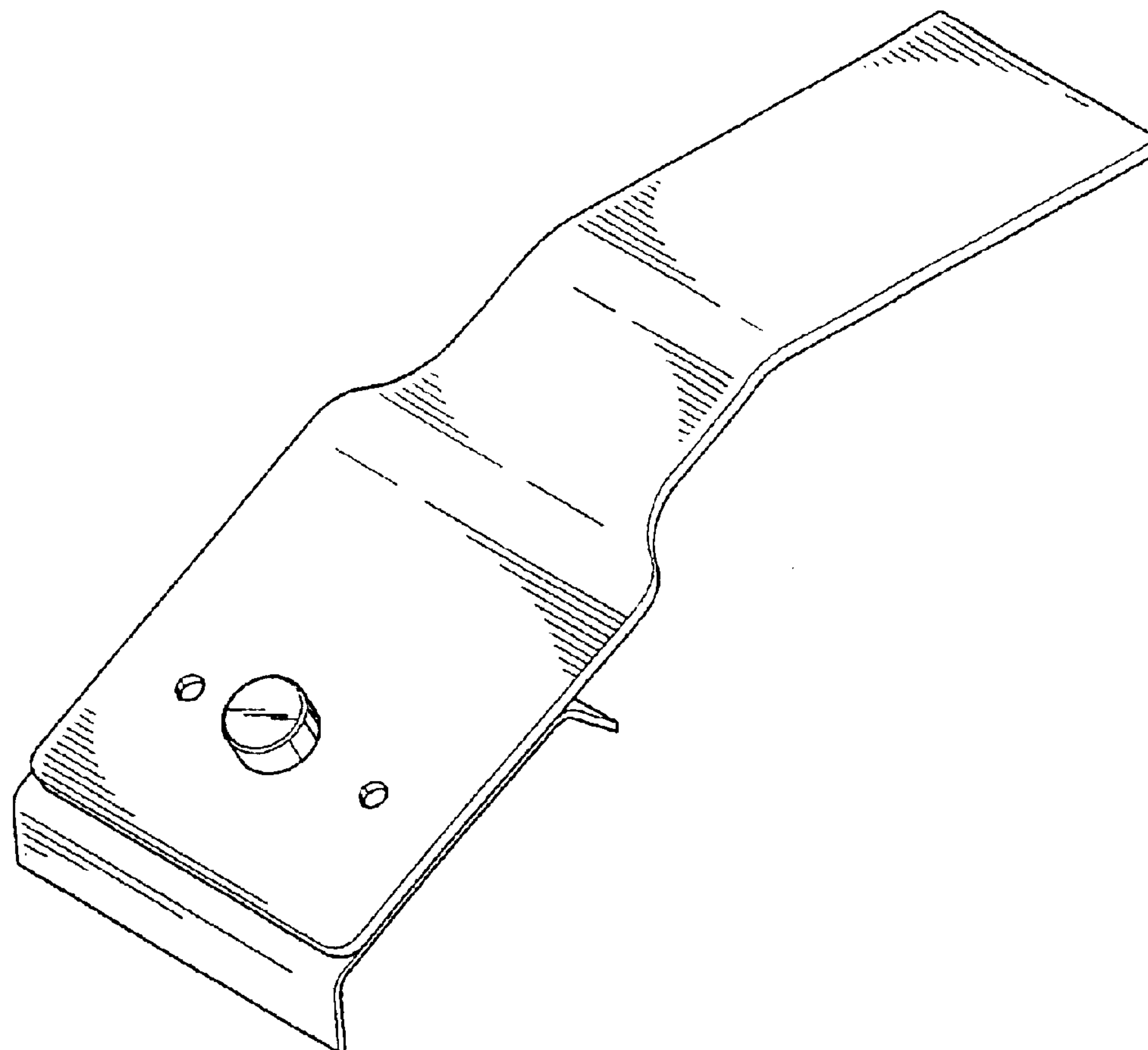
FIG. 4 is a right view thereof;

FIG. 5 is a top view thereof; and

FIG. 6 is a bottom view thereof; and,

FIG. 7 is a perspective view thereof in which the broken-line structure is shown for illustrative purposes only and forms no part of the claimed design.

**1 Claim, 3 Drawing Sheets**



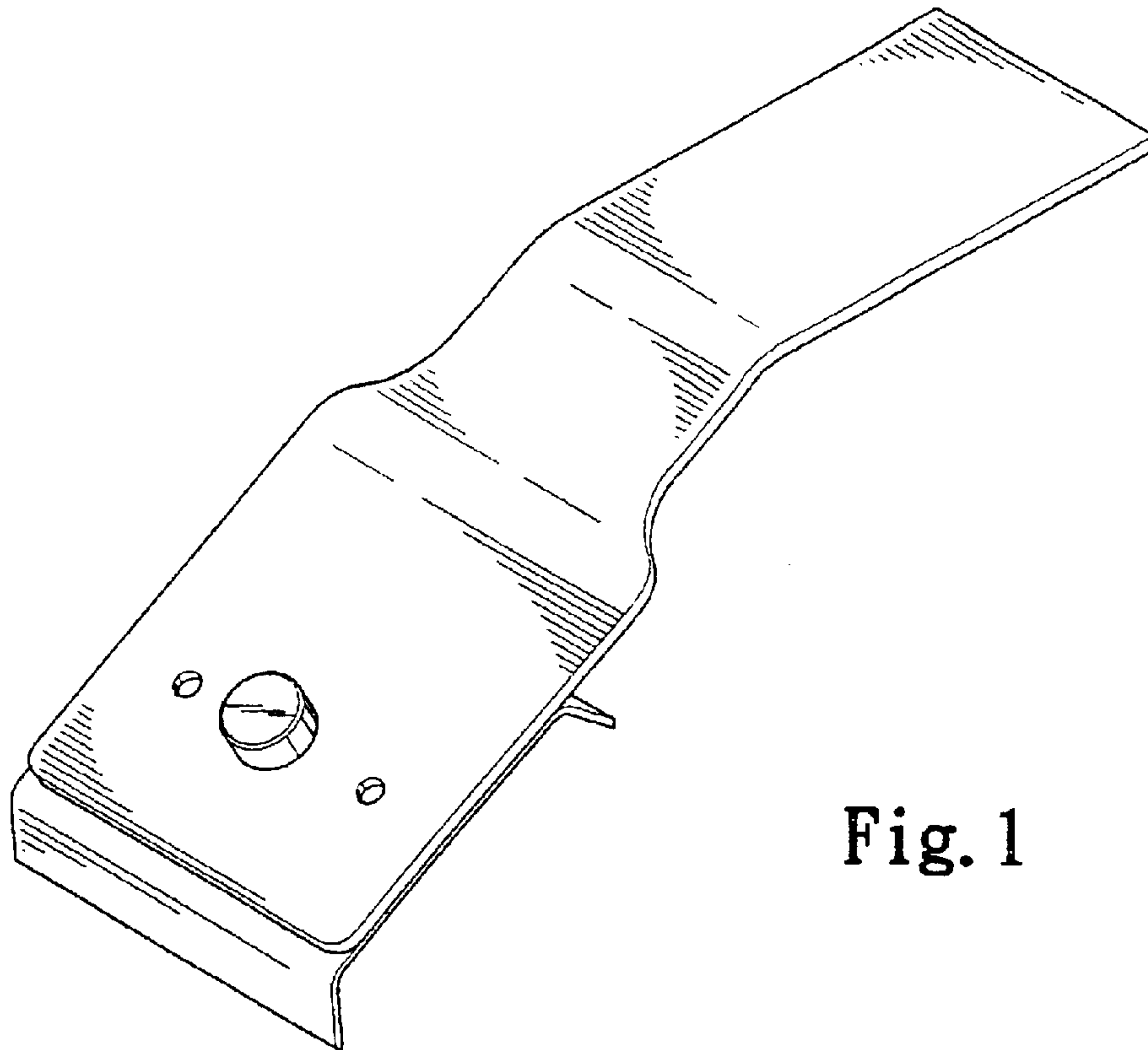


Fig. 1

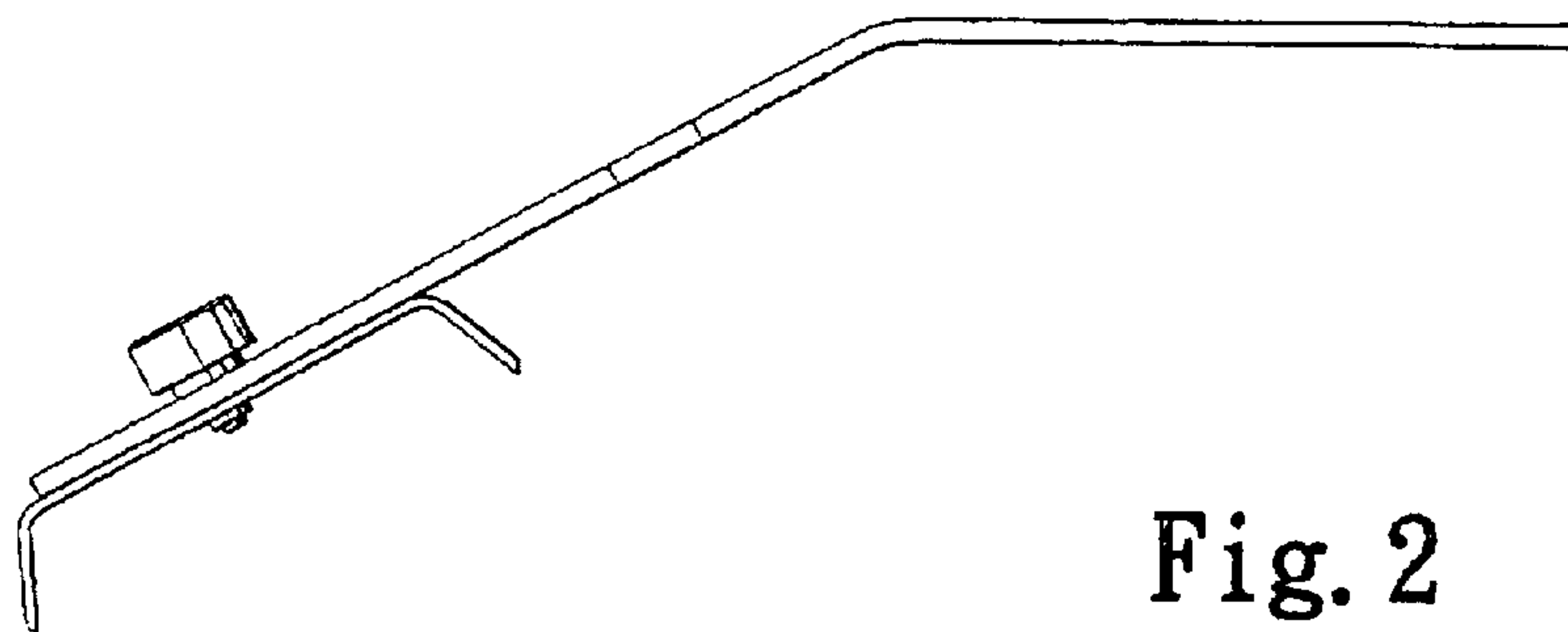


Fig. 2

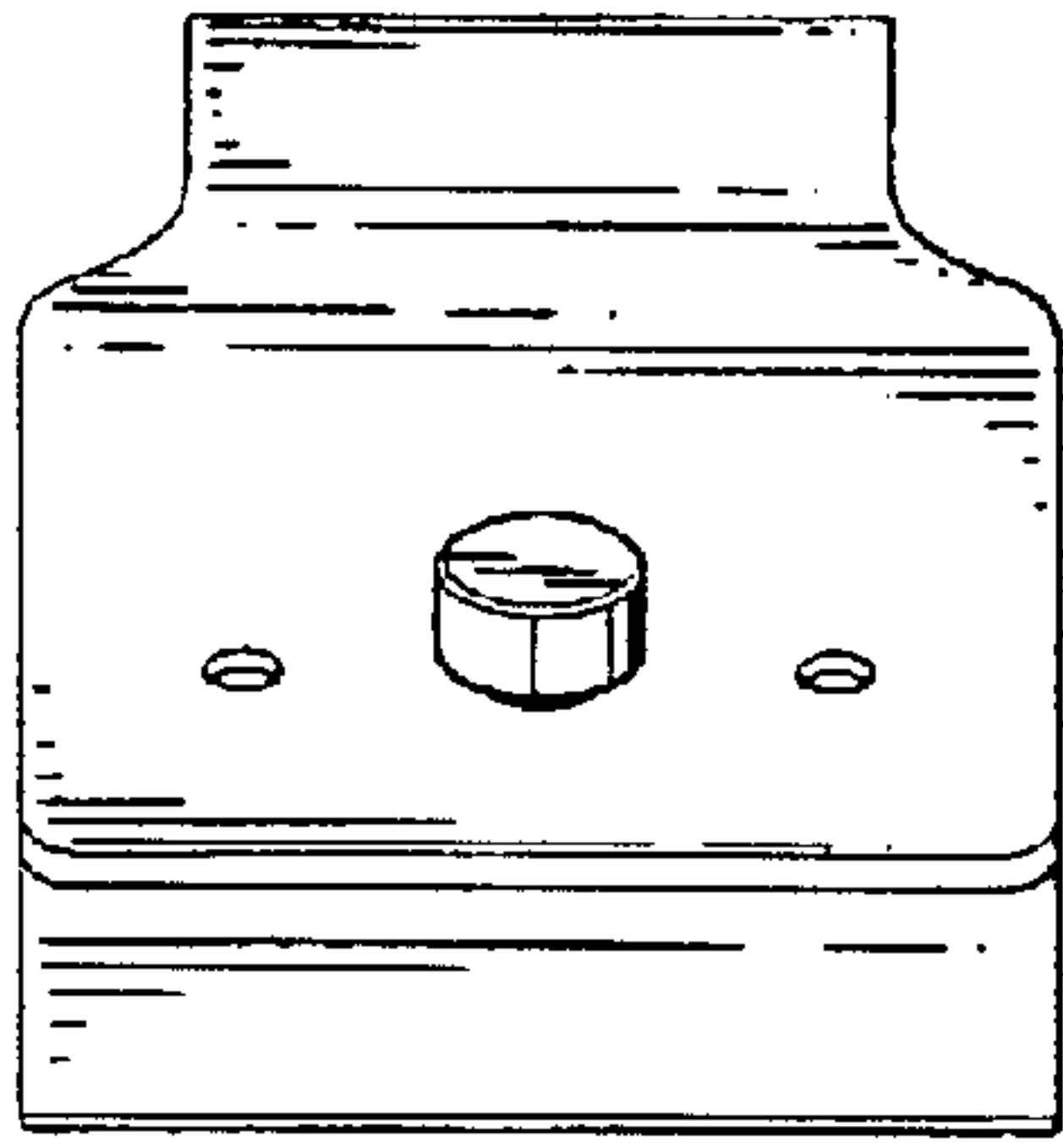


Fig. 3

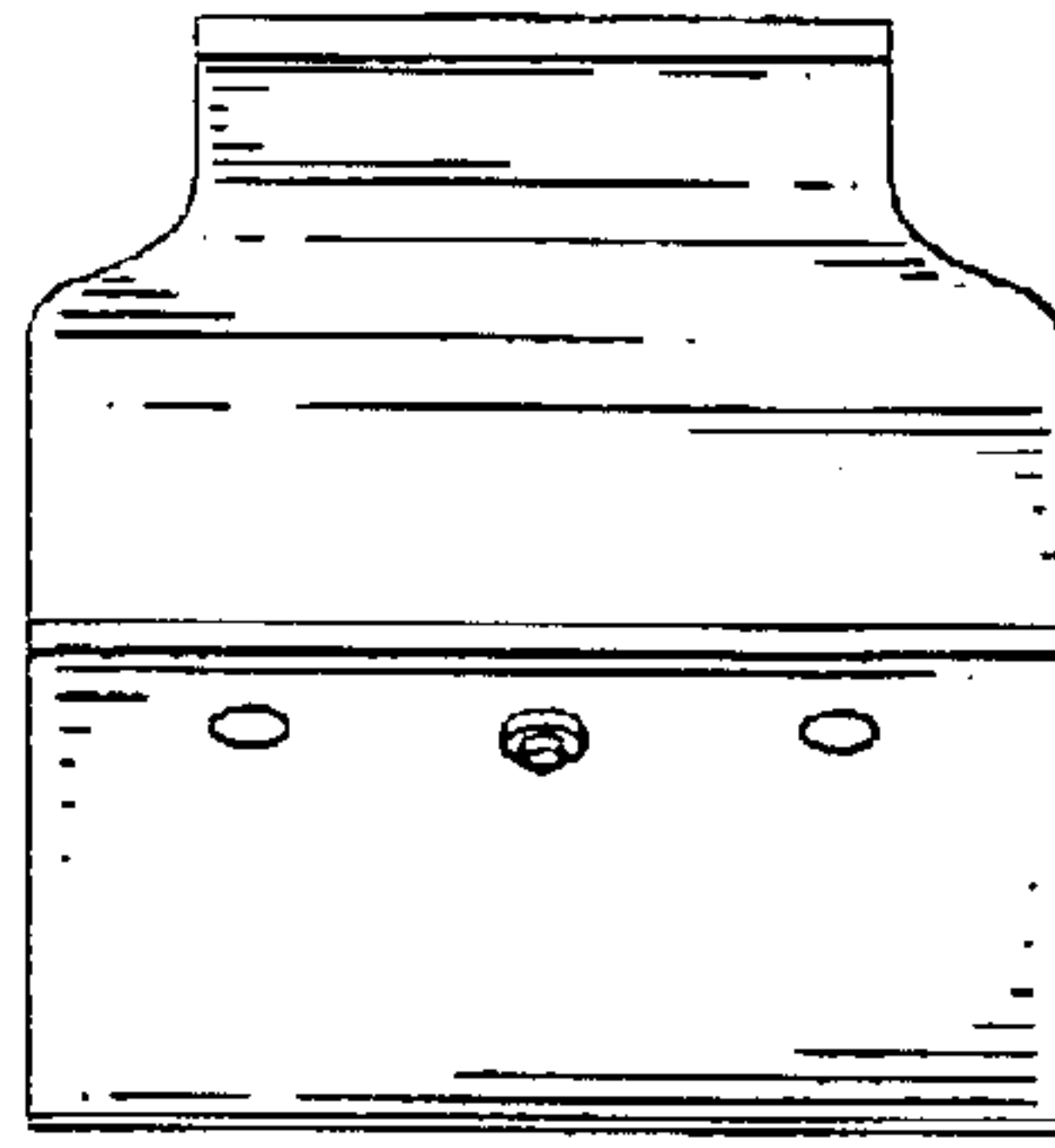


Fig. 4

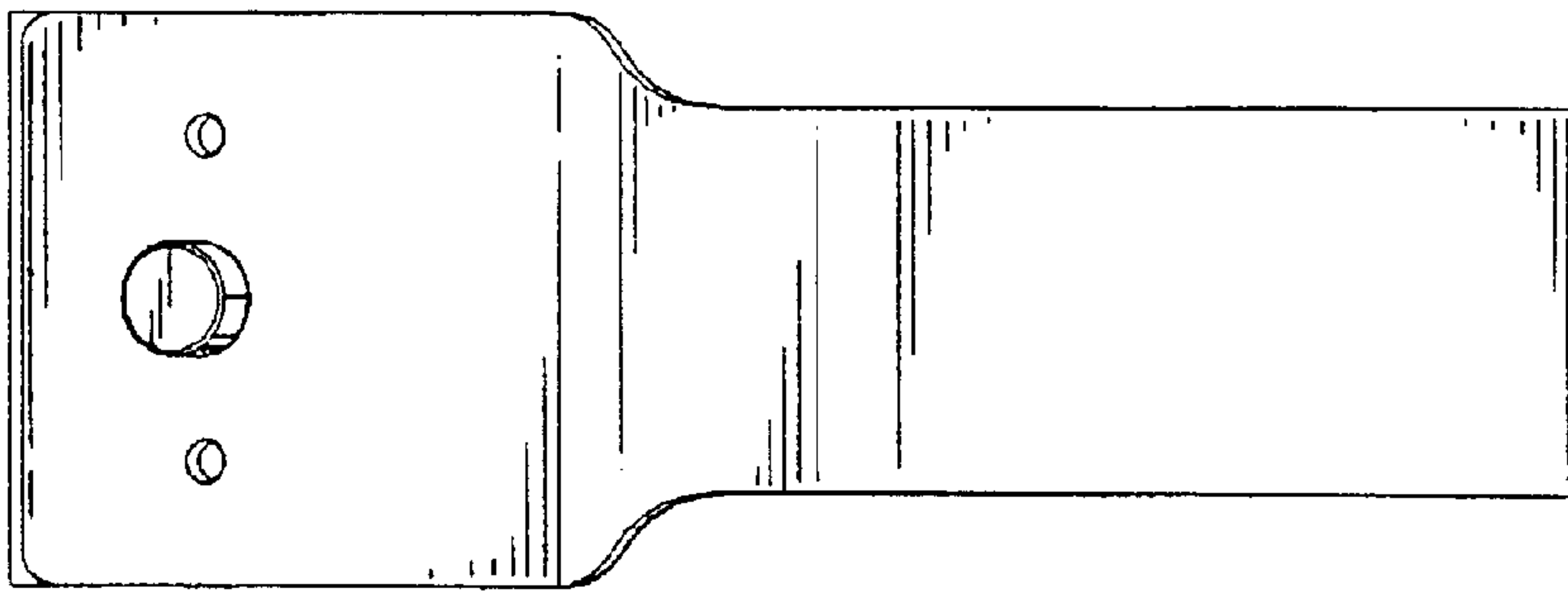


Fig. 5

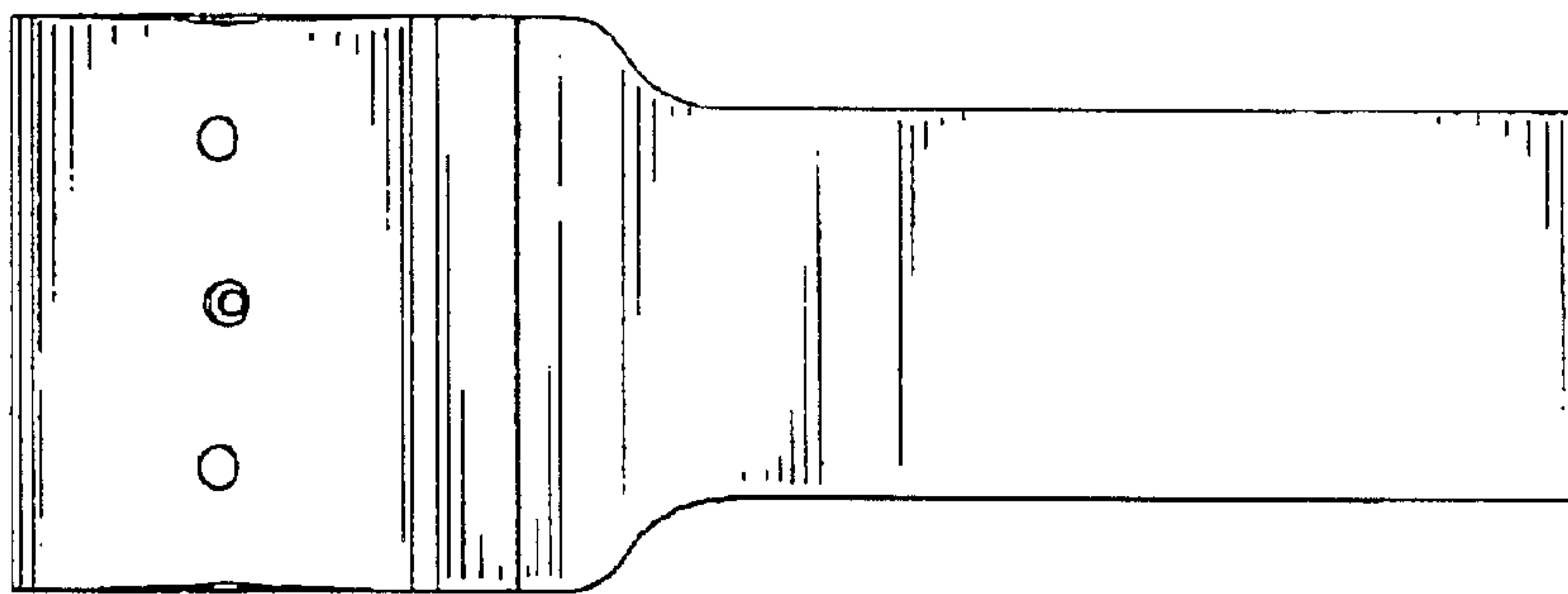


Fig. 6

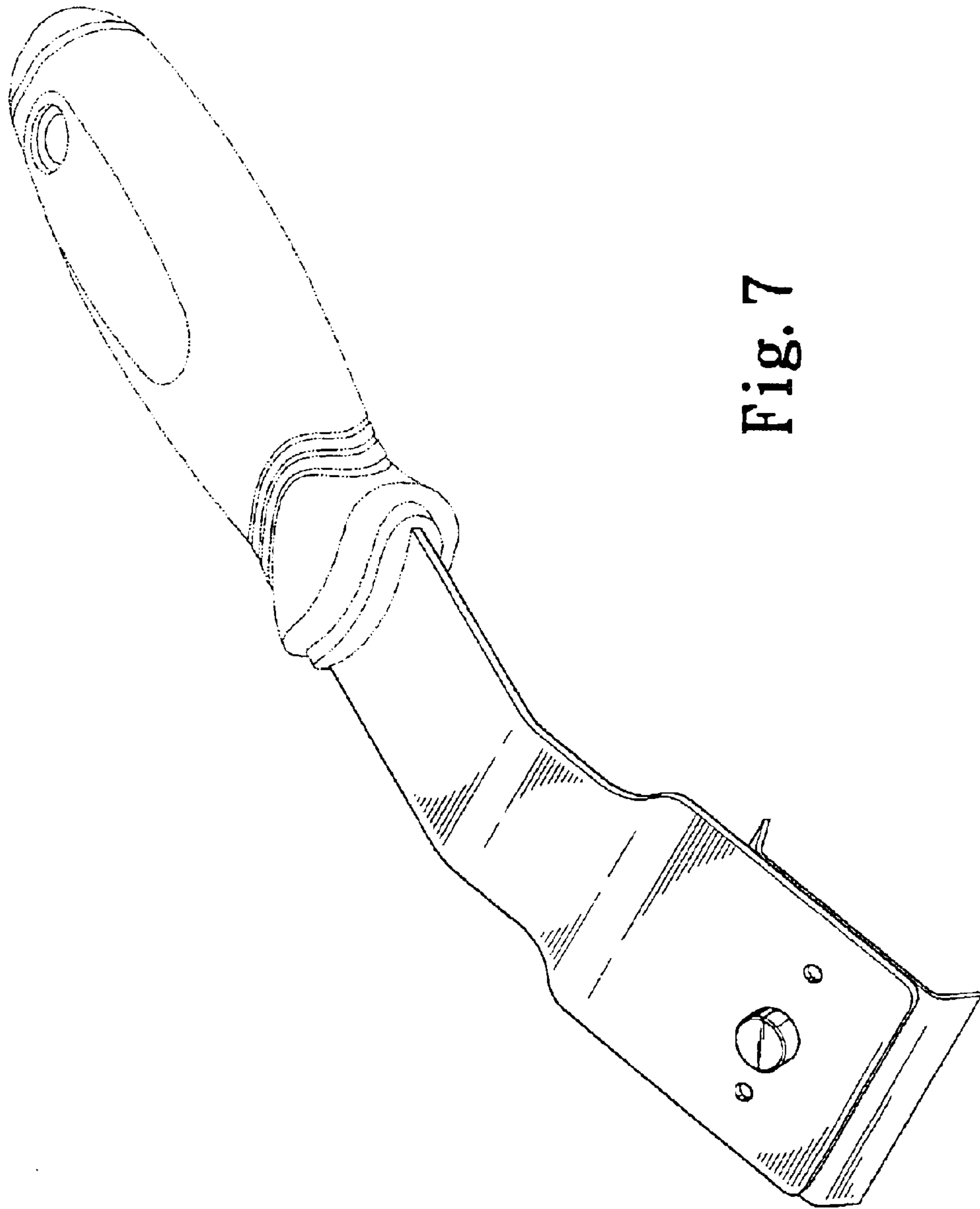


Fig. 7