



US00D492072S1

(12) **United States Design Patent**
Vaajakallio

(10) **Patent No.:** **US D492,072 S**
(45) **Date of Patent:** **** Jun. 22, 2004**

(54) **BODY OF A DRYER OF A WEB-LIKE PRODUCT, SUCH AS A PAPER WEB**

(75) Inventor: **Jukka Vaajakallio, Lohja (FI)**

(73) Assignee: **Metso Paper, Inc., Helsinki (FI)**

(**) Term: **14 Years**

(21) Appl. No.: **29/182,414**

(22) Filed: **May 27, 2003**

(30) **Foreign Application Priority Data**

Nov. 29, 2002 (FI) M20020694

(51) **LOC (7) Cl.** **15-05**

(52) **U.S. Cl.** **D32/1; D15/199**

(58) **Field of Search** **D15/199; D32/1; 34/1, 210, 122, 114, 654**

(56) **References Cited**

U.S. PATENT DOCUMENTS

4,096,643 A * 6/1978 Fletcher 34/122

* cited by examiner

Primary Examiner—Antoine D. Davis
(74) *Attorney, Agent, or Firm*—Stiennon & Stiennon

(57) **CLAIM**

The ornamental design for a body of a dryer of a web-like product, such as a paper web, as shown and described.

DESCRIPTION

FIG. 1 is a perspective view of the body of a dryer of a web-like product, such as a paper web of this invention, the broken lines in the figures show environmental matter only, and form no part of the claimed design;

FIG. 2 is a right side elevational view thereof;

FIG. 3 is a left side elevational view thereof;

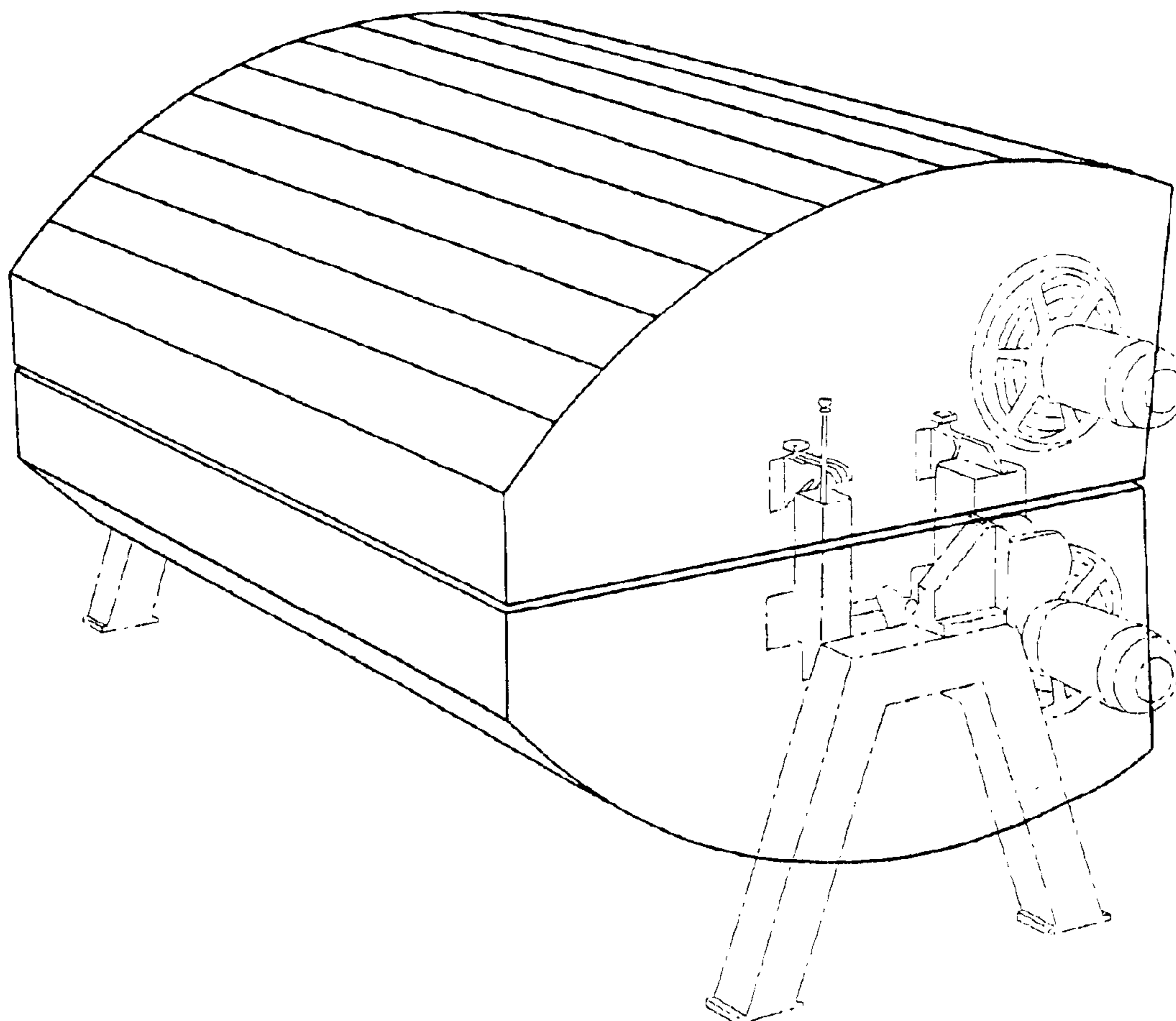
FIG. 4 is a front elevational view thereof;

FIG. 5 is a rear elevational view thereof;

FIG. 6 is a top plan view thereof; and,

FIG. 7 is a bottom plan view thereof.

1 Claim, 7 Drawing Sheets



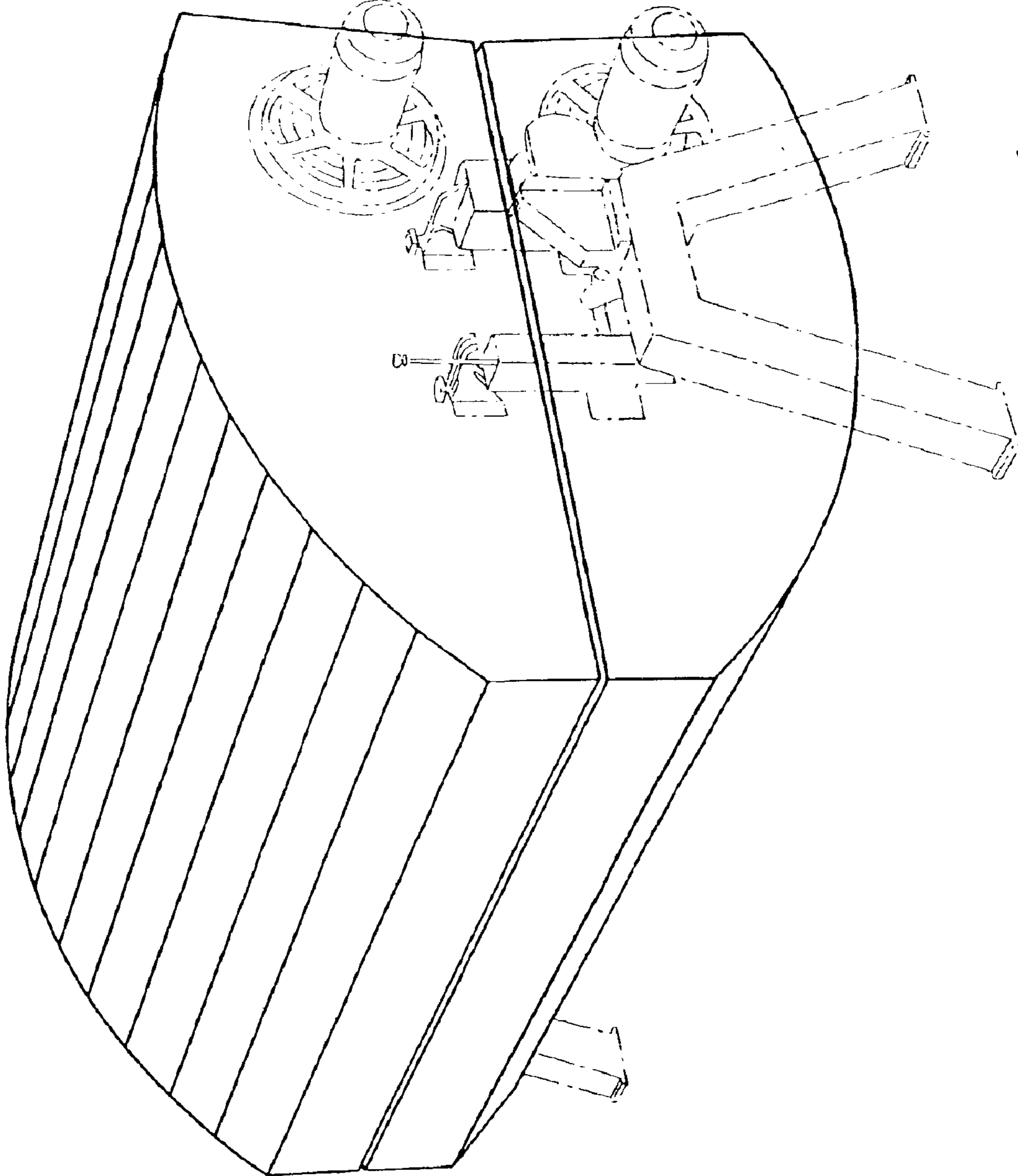


Fig. 1

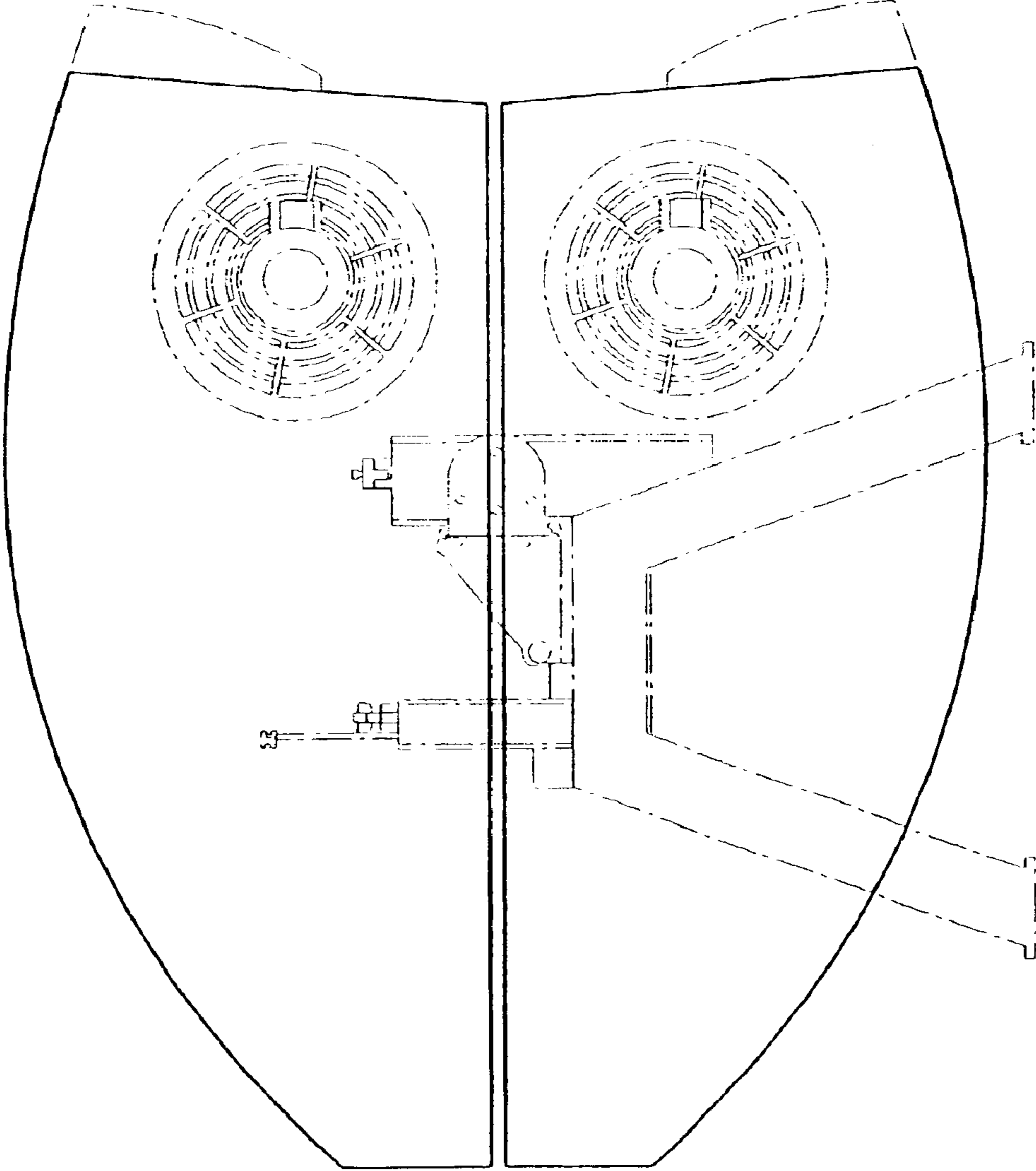


Fig. 2

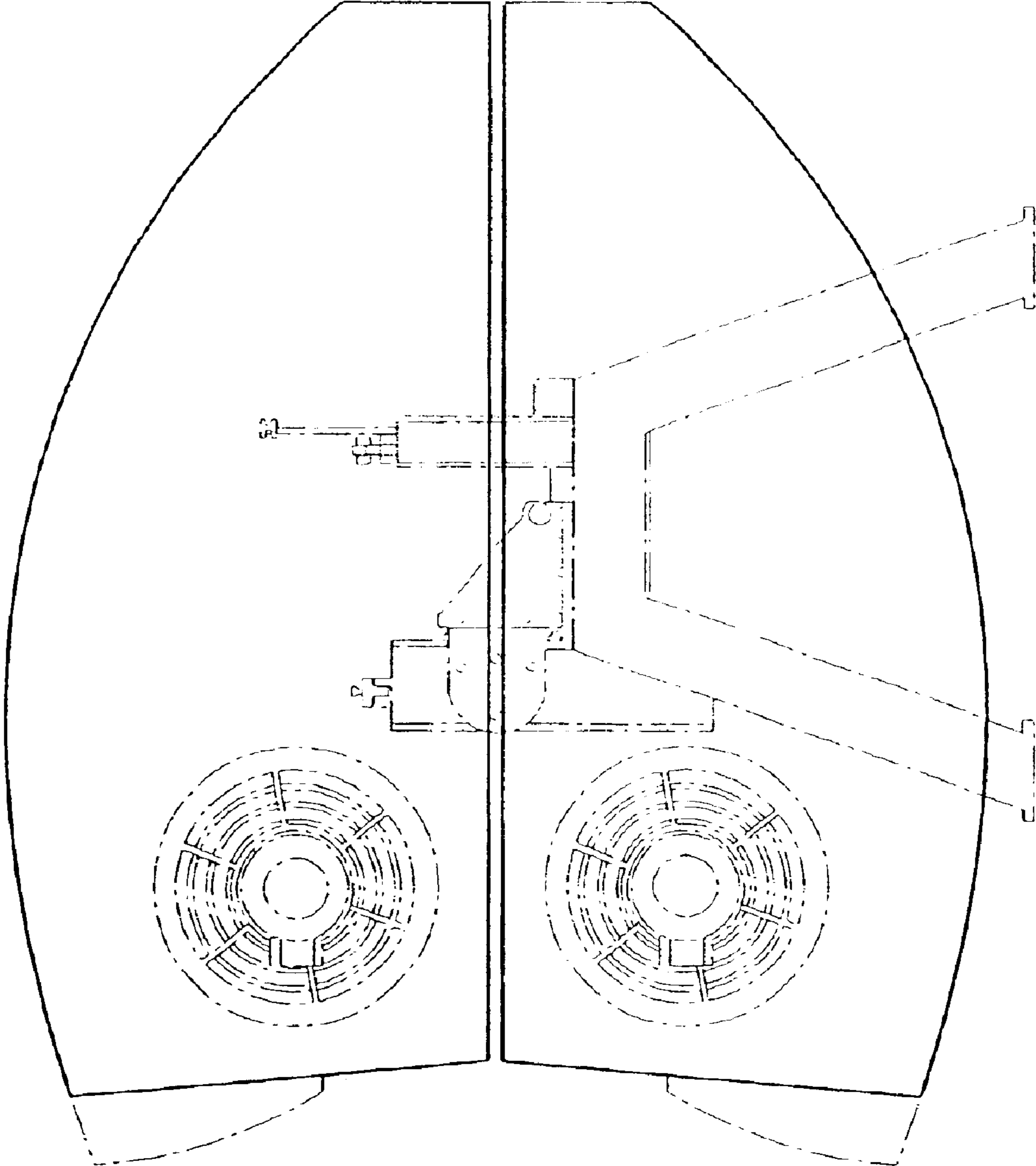


Fig. 3

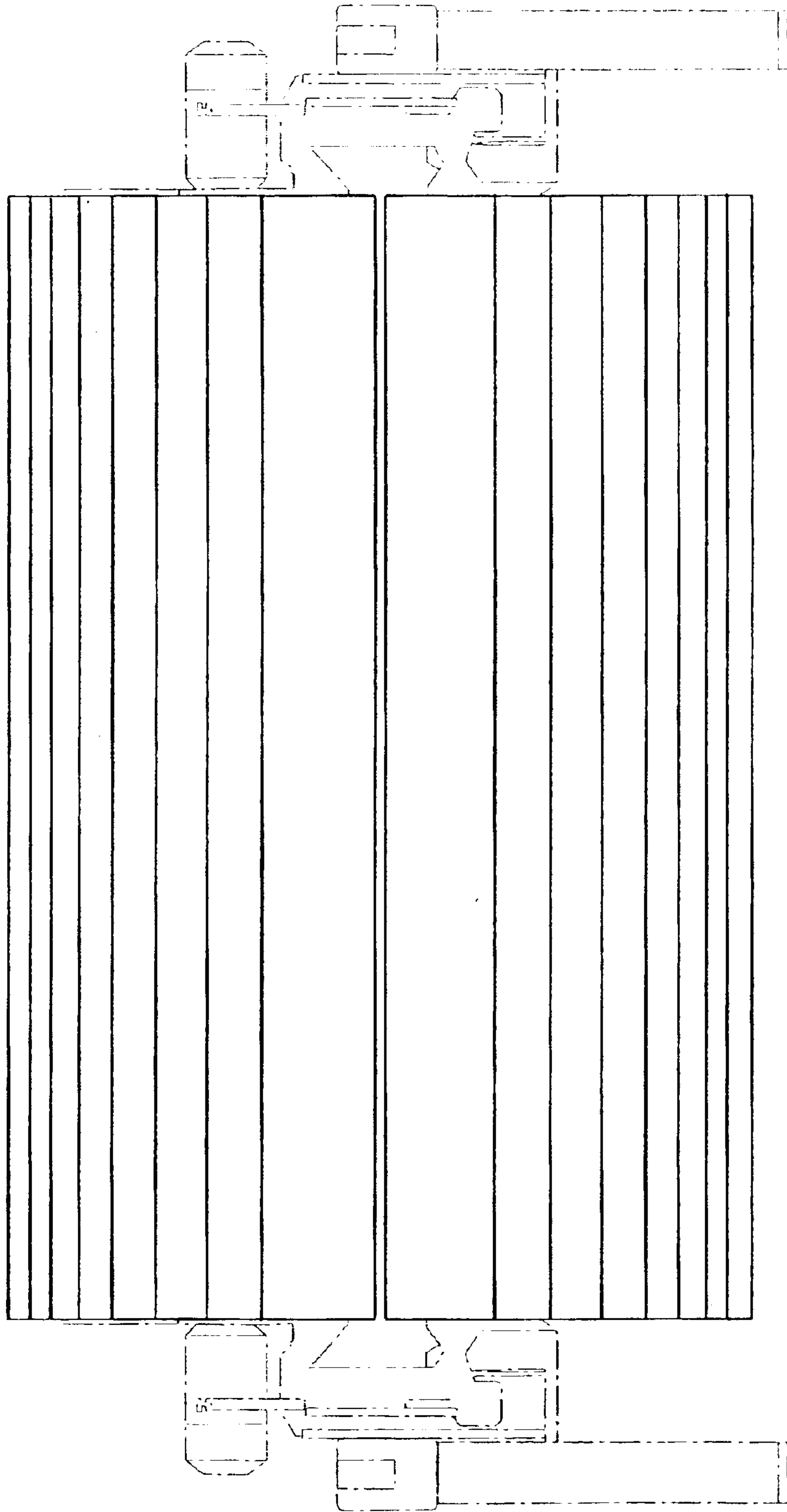


Fig. 4

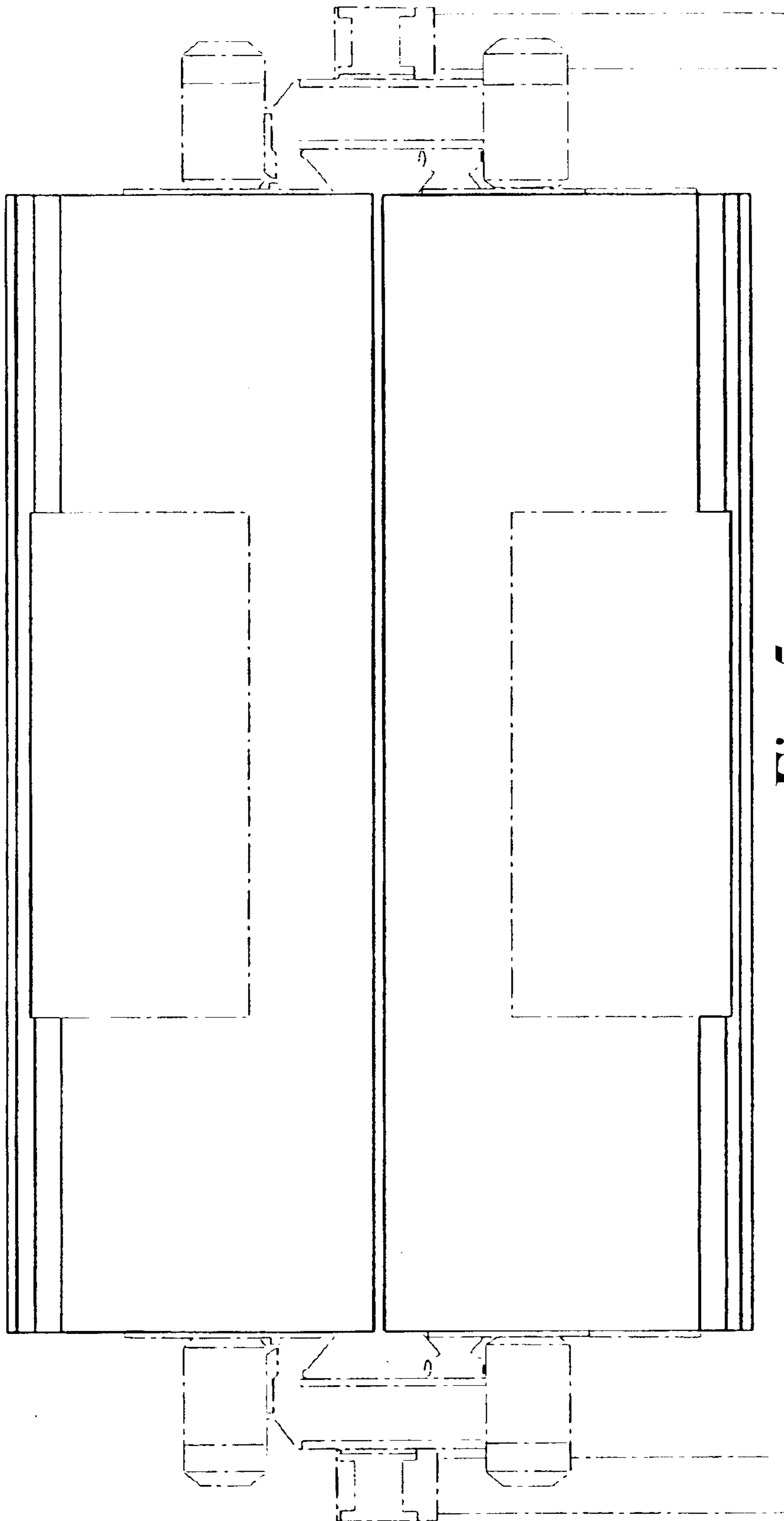


Fig. 5

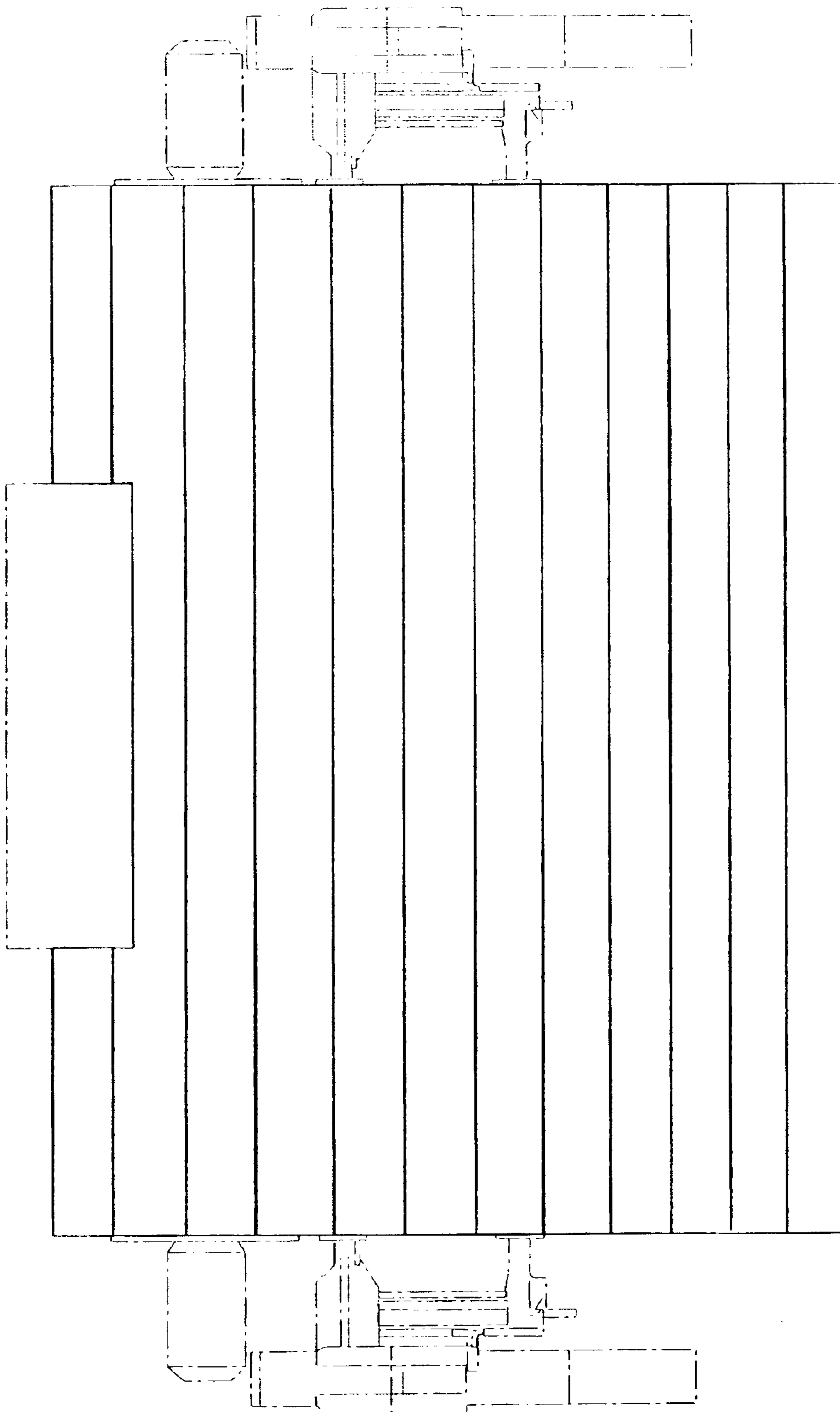


Fig. 6

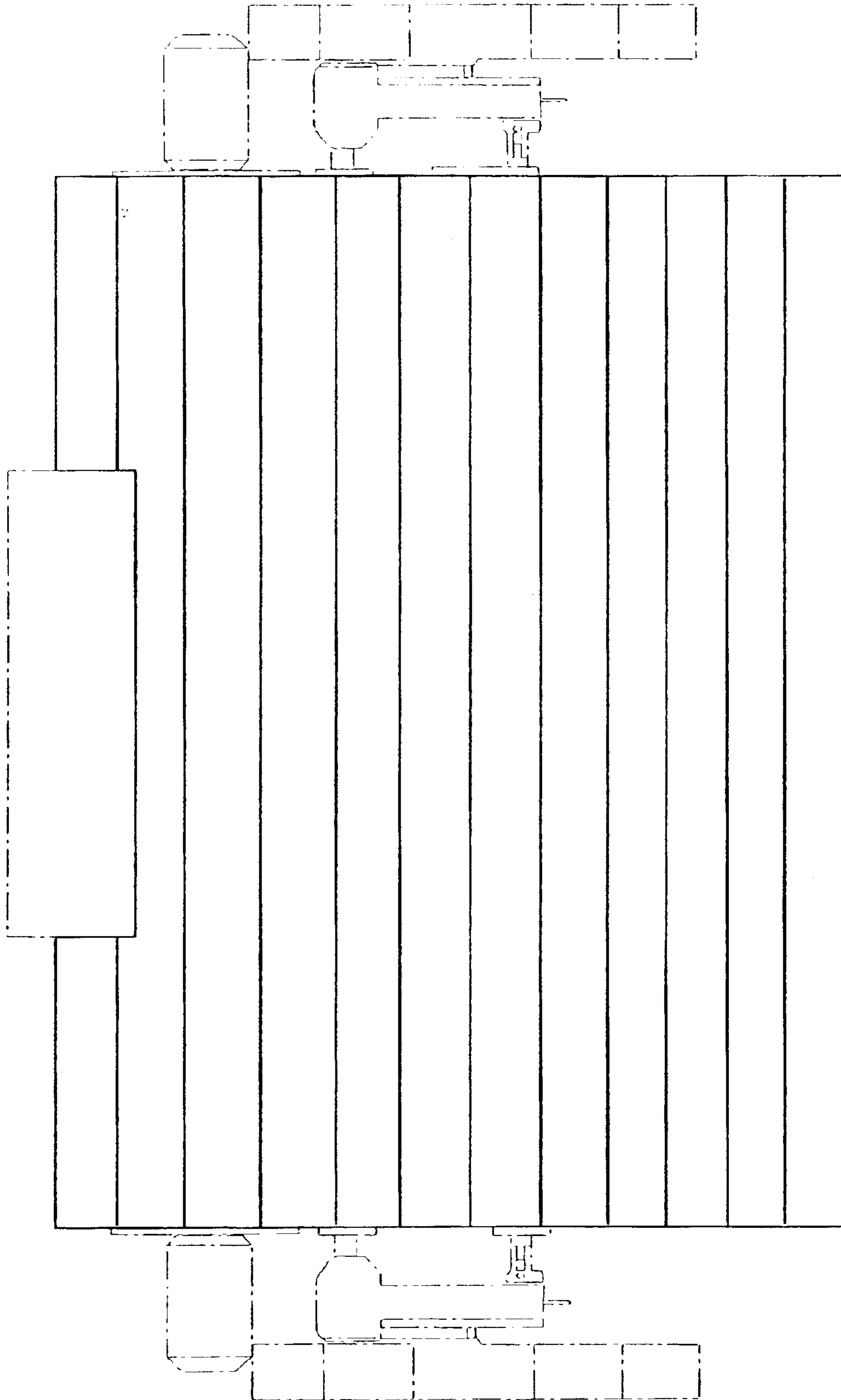


Fig. 7