



US00D492069S1

(12) **United States Design Patent**  
**Viberg**

(10) **Patent No.:** **US D492,069 S**  
(45) **Date of Patent:** **\*\* Jun. 22, 2004**

(54) **KNEEPAD**

(75) **Inventor:** **Robert Viberg, Hägersten (SE)**

(73) **Assignee:** **Snickers Europe AB, Sollentuna (SE)**

(\*\*) **Term:** **14 Years**

(21) **Appl. No.:** **29/189,490**

(22) **Filed:** **Sep. 8, 2003**

(30) **Foreign Application Priority Data**

Mar. 7, 2003 (SE) ..... 03-0320

(51) **LOC (7) Cl.** ..... **29-02**

(52) **U.S. Cl.** ..... **D29/121.1; D29/122**

(58) **Field of Search** ..... **D29/121.1, 120.1, D29/122, 100; D24/190; 2/22-24, 62, 267, 911, 16, 455; 602/26**

(56) **References Cited**

**U.S. PATENT DOCUMENTS**

3,735,419 A \* 5/1973 Byrd ..... 2/22

4,627,108 A \* 12/1986 Jarvinen ..... 2/22  
4,888,826 A \* 12/1989 Parsons et al. .... 2/22  
5,093,931 A \* 3/1992 LaBerge et al. .... 2/22  
D454,231 S \* 3/2002 McFarlane ..... D29/121.1

\* cited by examiner

*Primary Examiner*—Lucy Lieberman

(74) *Attorney, Agent, or Firm*—Young & Thompson

(57) **CLAIM**

The ornamental design for a kneepad, as shown.

**DESCRIPTION**

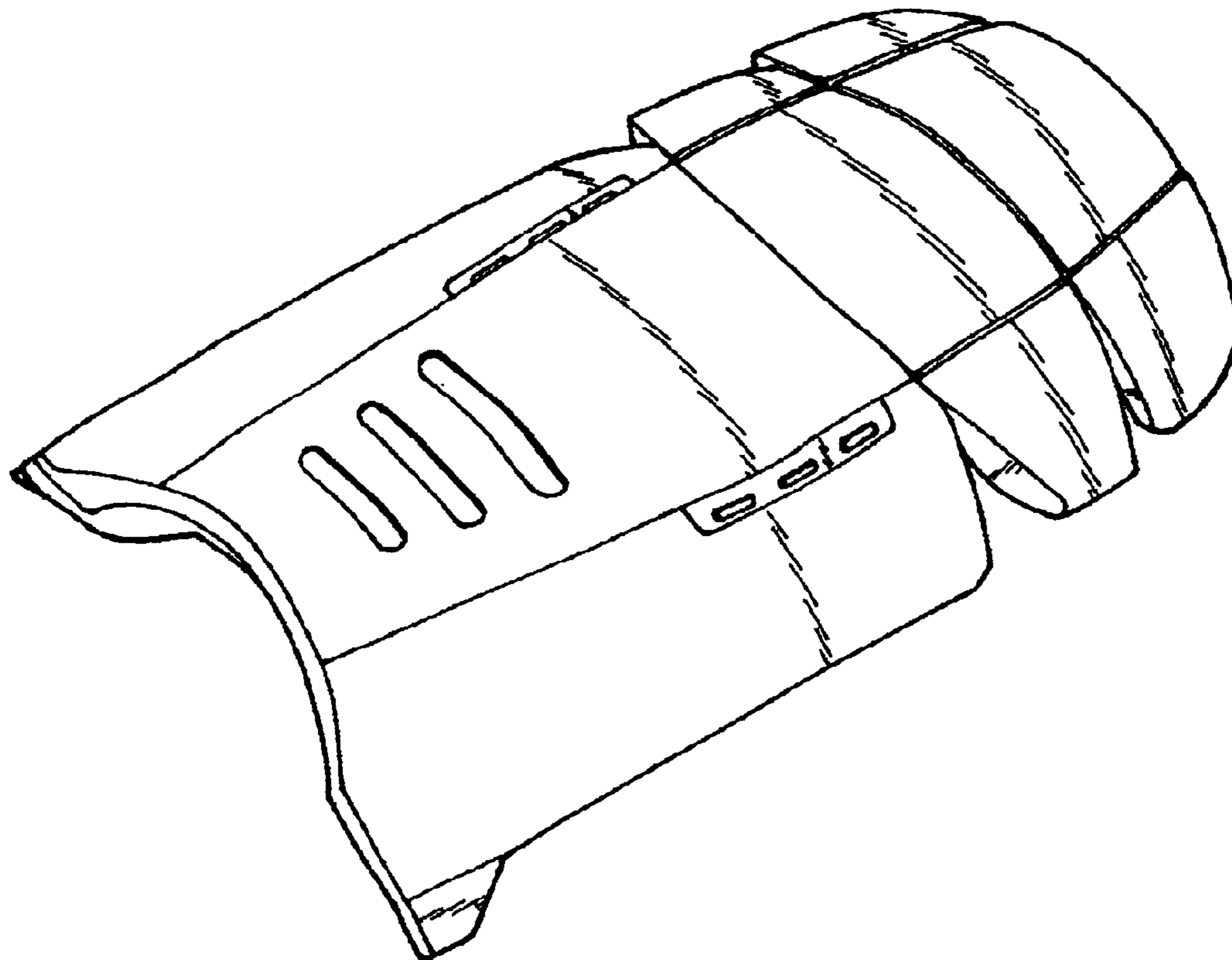
FIG. 1 is a front elevation of a kneepad showing my new design;

FIG. 2 is a rear elevational view thereof;

FIG. 3 is a front and right side perspective view thereof; and,

FIG. 4 is a rear and right side perspective view thereof.

**1 Claim, 2 Drawing Sheets**



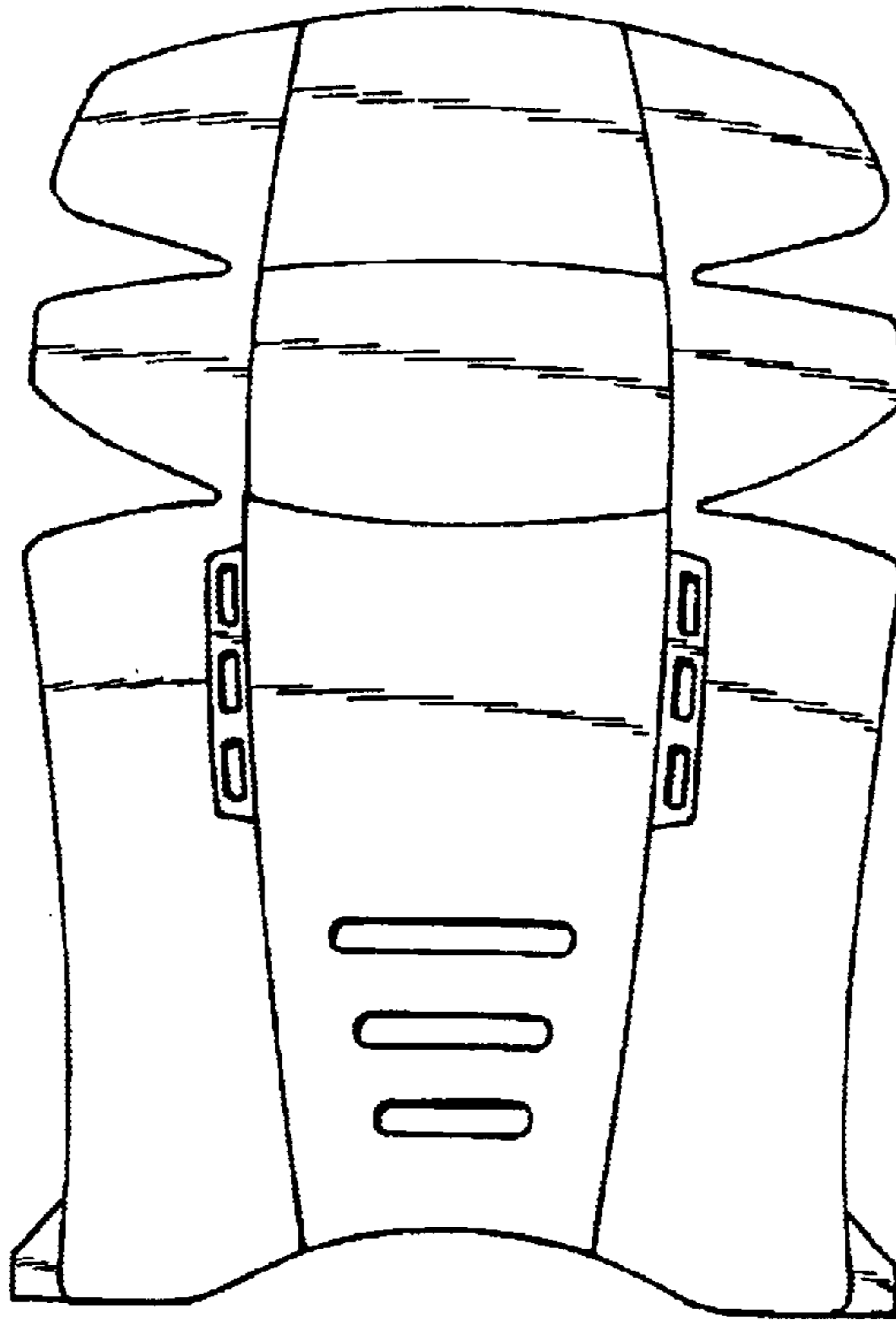


FIG. 1

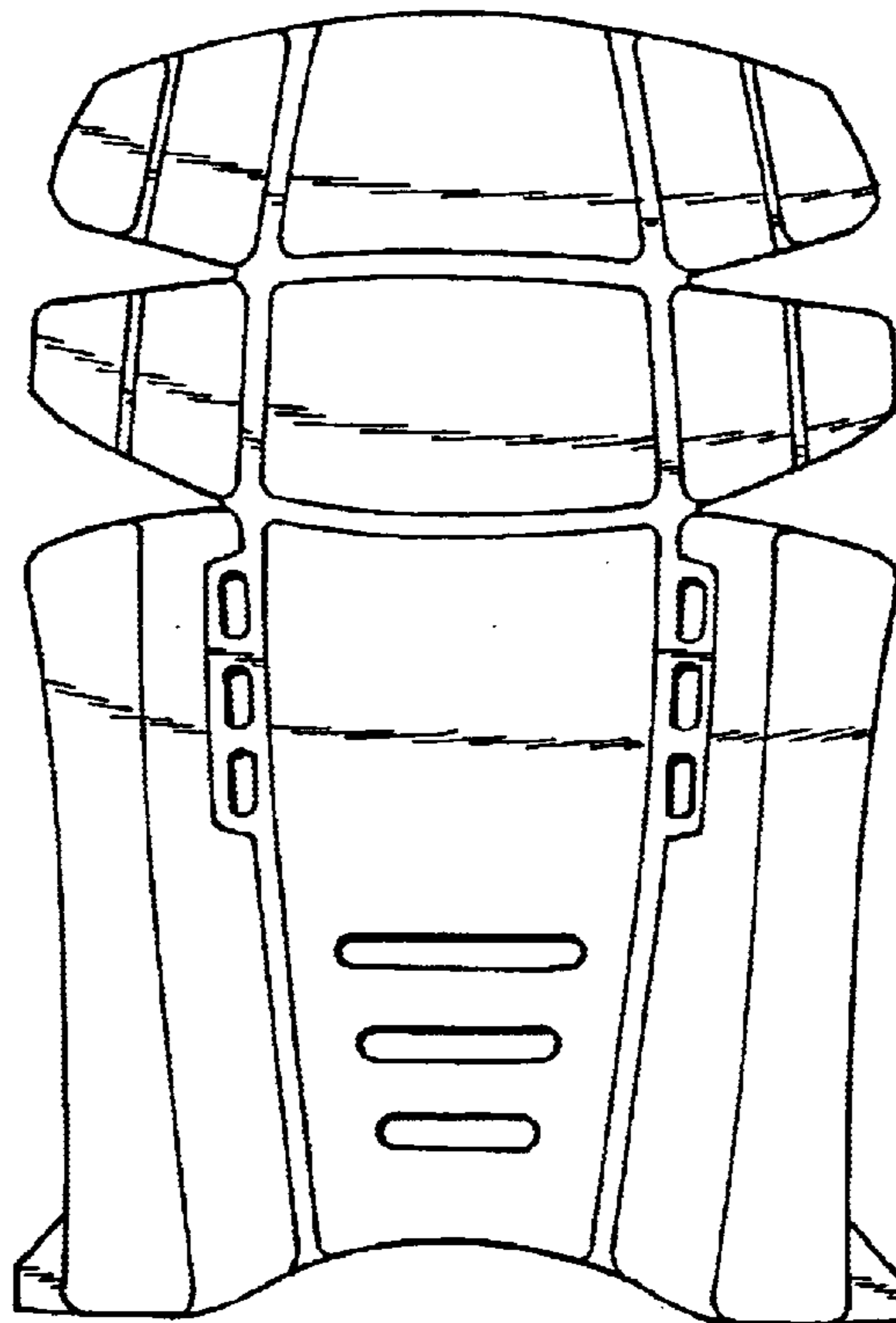


FIG. 2

