



US00D492066S1

(12) **United States Design Patent**
Cho

(10) **Patent No.:** **US D492,066 S**
(45) **Date of Patent:** **** Jun. 22, 2004**

(54) **COMBINED RECHARGEABLE EYELASH
CURLER AND RECHARGING UNIT**

D439,013 S * 3/2001 Cho D28/36
D443,110 S * 5/2001 Watanabe et al. D28/36
6,230,715 B1 * 5/2001 Cho 132/217

(76) **Inventor:** **Yong Hoon Cho**, 604 Murfield Ct.,
Fullerton, CA (US) 92835

* cited by examiner

(**) **Term:** **14 Years**

Primary Examiner—Philip S. Hyder

Assistant Examiner—C. Tuttle

(21) **Appl. No.:** **29/179,177**

(74) *Attorney, Agent, or Firm*—Maria Erlinda Co Sarno

(22) **Filed:** **Apr. 4, 2003**

(57) **CLAIM**

The ornamental design for a combined rechargeable eyelash
curler and recharging unit, as shown and described.

Related U.S. Application Data

DESCRIPTION

(63) Continuation-in-part of application No. 29/152,914, filed on
Oct. 23, 2001, now abandoned.

(51) **LOC (7) Cl.** **28-03**

FIG. 1 is a perspective view of a combined rechargeable
eyelash curler and recharging unit showing my new design;

(52) **U.S. Cl.** **D28/36**

FIG. 2 is a front view thereof;

(58) **Field of Search** D28/36, 38, 73,
D28/44-54; D13/107, 108; 132/216, 217;
219/242, 222-227, 229, 240; 320/107-115

FIG. 3 is a side view thereof;

FIG. 4 is a rear view thereof;

FIG. 5 is a top view thereof;

FIG. 6 is a front view of the eyelash curler thereof shown
separate from the assembly for clarity and/or completeness
of the disclosure;

FIG. 7 is a side view of the eyelash curler thereof;

FIG. 8 is a rear view of the eyelash curler thereof;

FIG. 9 is a top view of the eyelash curler thereof; and,

FIG. 10 is a bottom view of the eyelash curler thereof.

(56) **References Cited**

U.S. PATENT DOCUMENTS

5,704,377 A * 1/1998 McMullen 132/217
D429,212 S * 8/2000 Oden et al. D13/108
D429,375 S * 8/2000 Choi D28/36
D431,021 S * 9/2000 Collins D13/108
D431,678 S * 10/2000 Suh D28/36

1 Claim, 9 Drawing Sheets

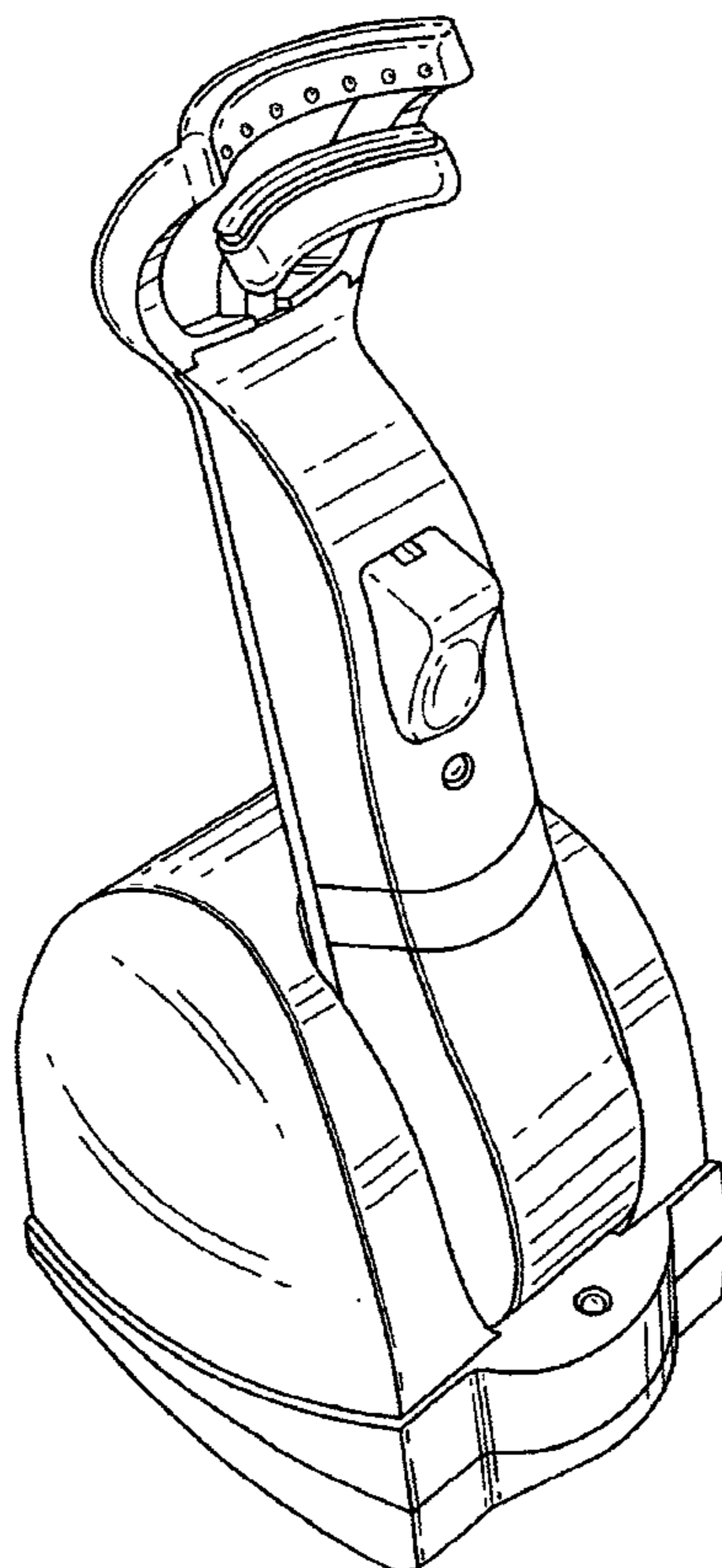
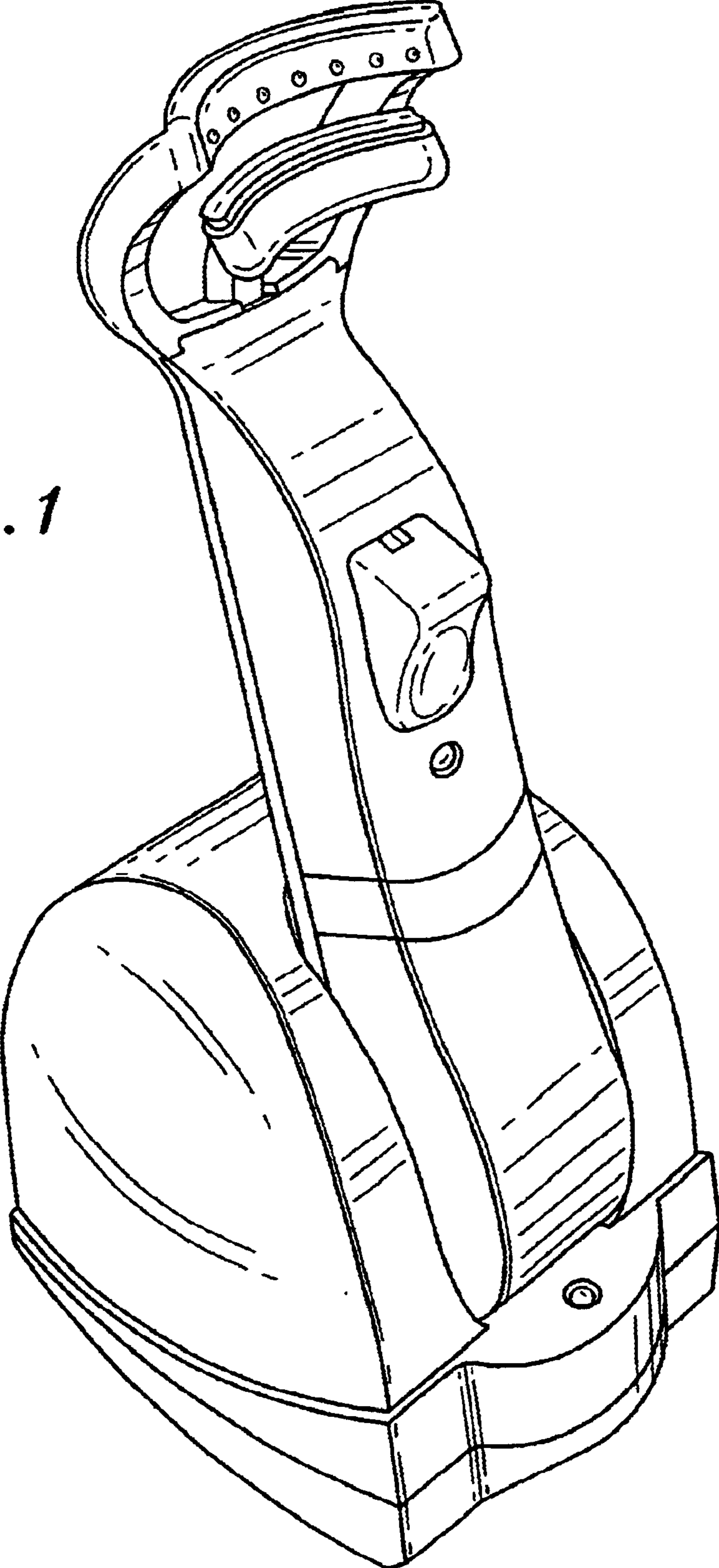


FIG. 1



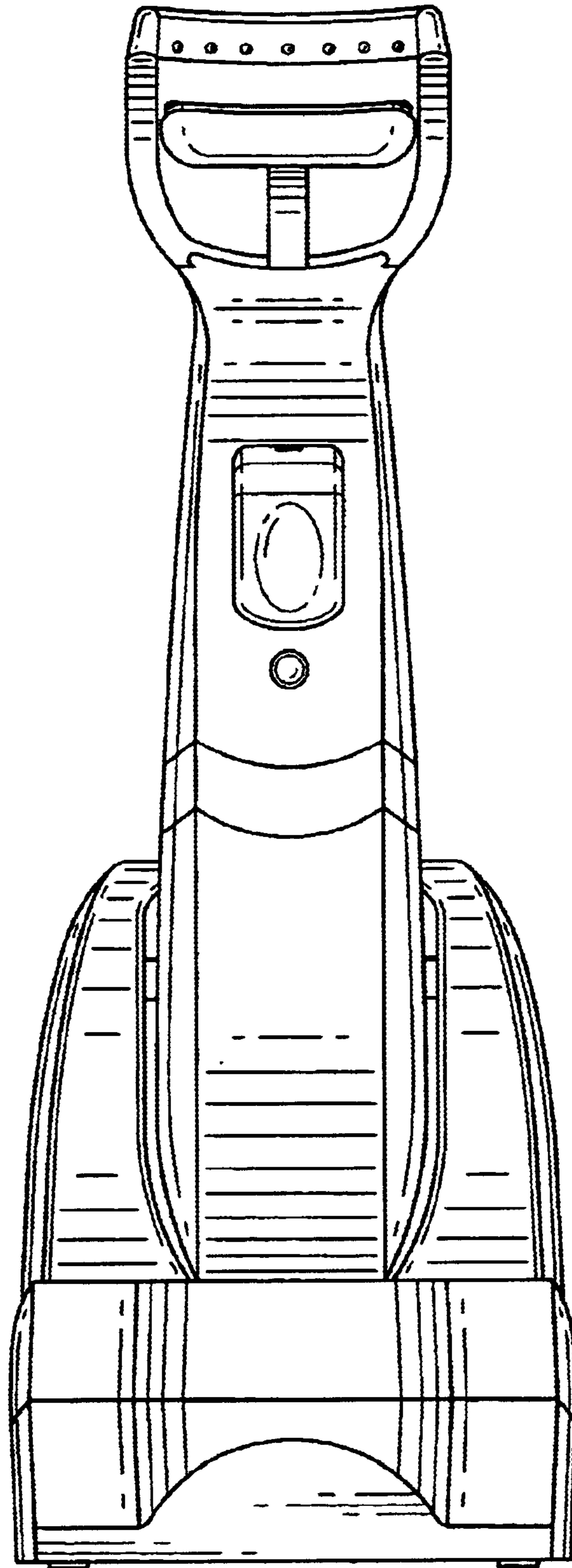


FIG. 2

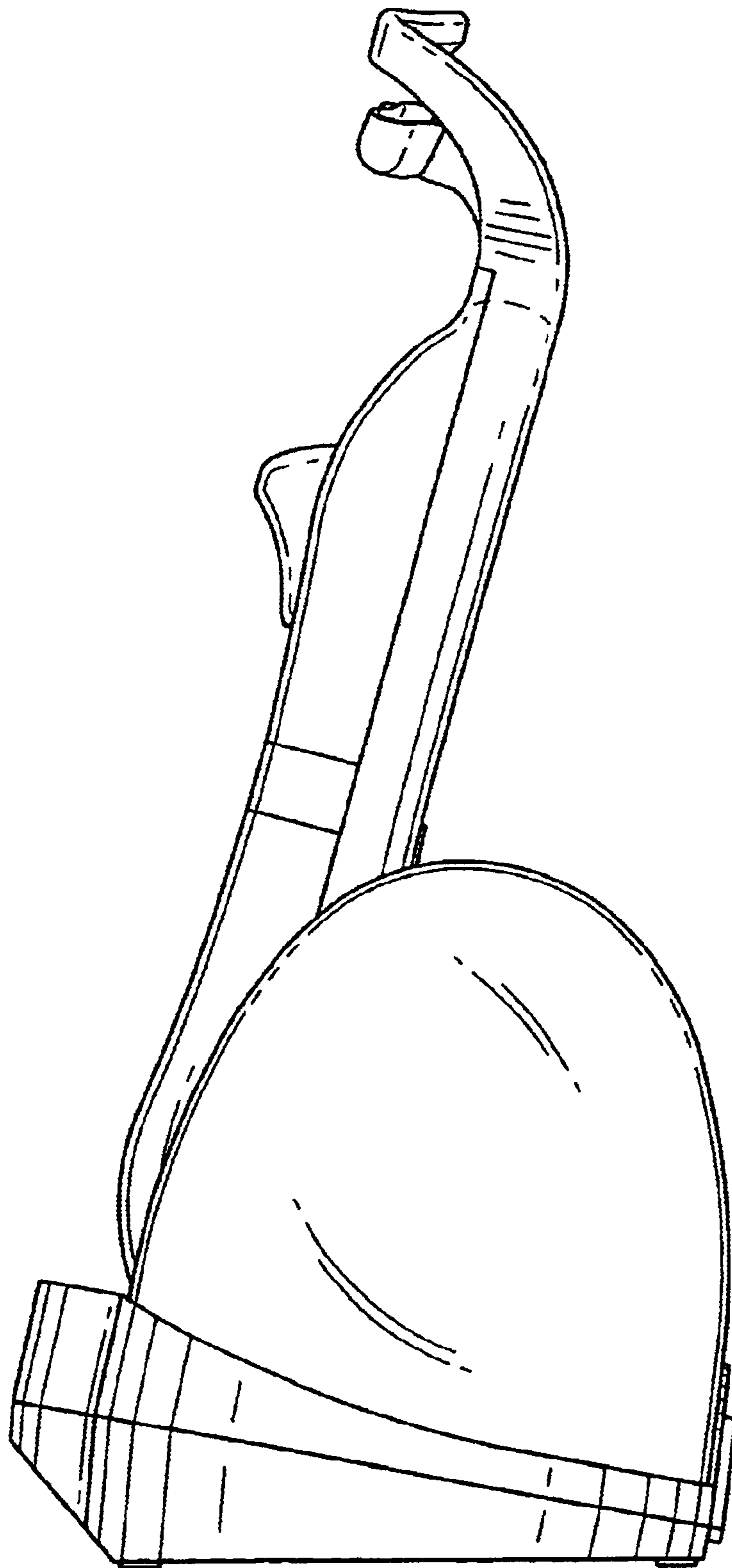


FIG. 3

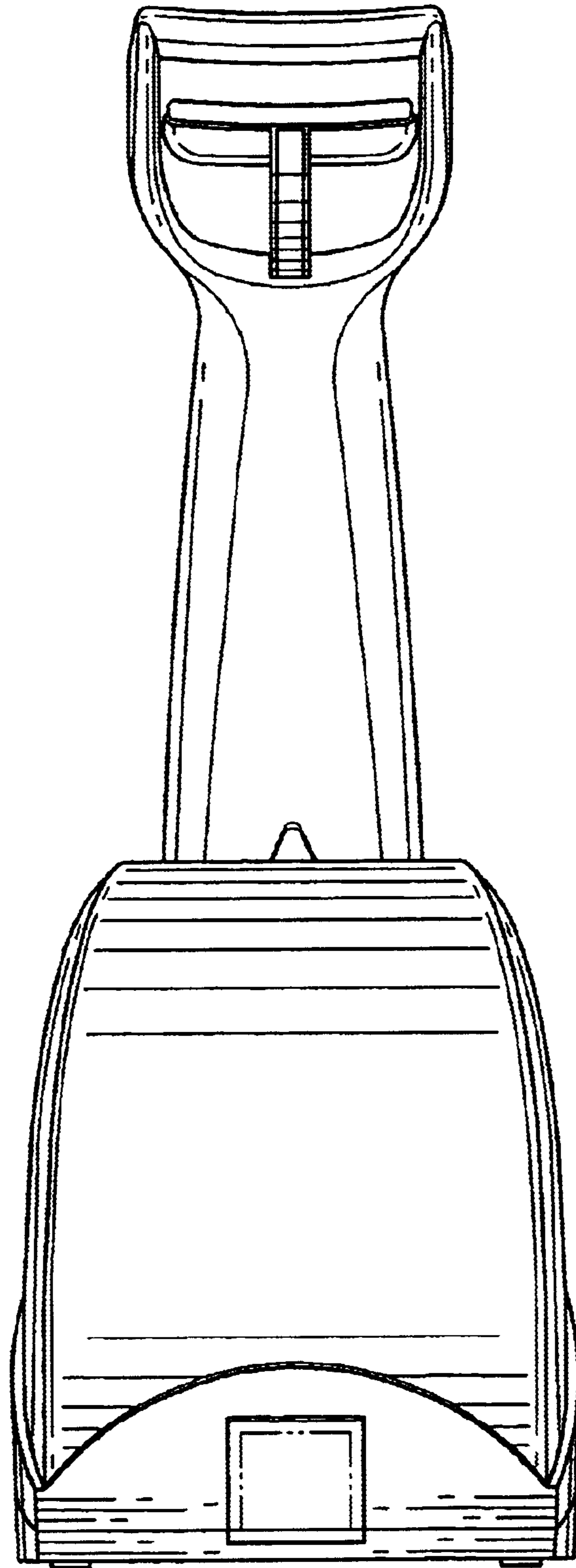


FIG. 4

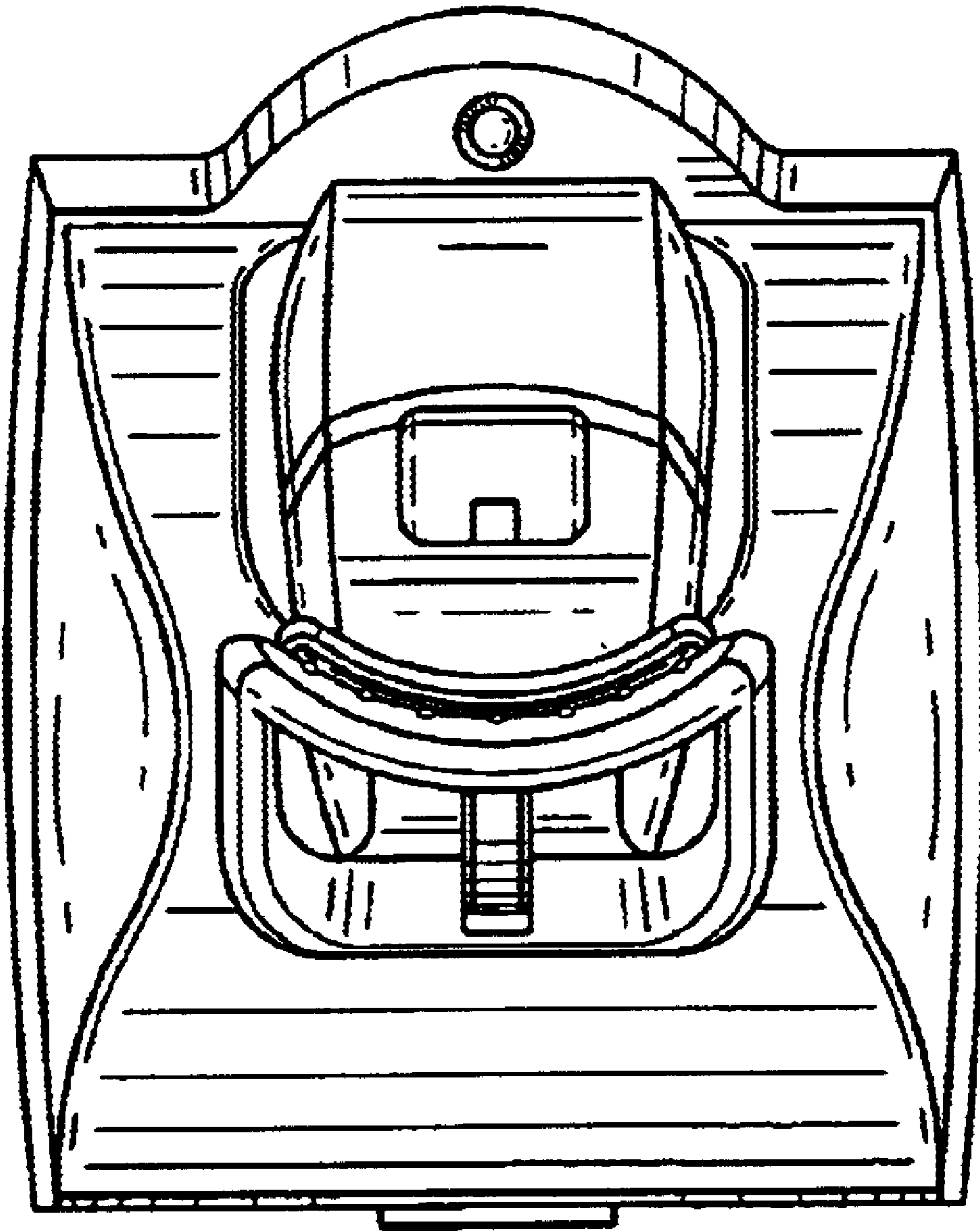


FIG. 5

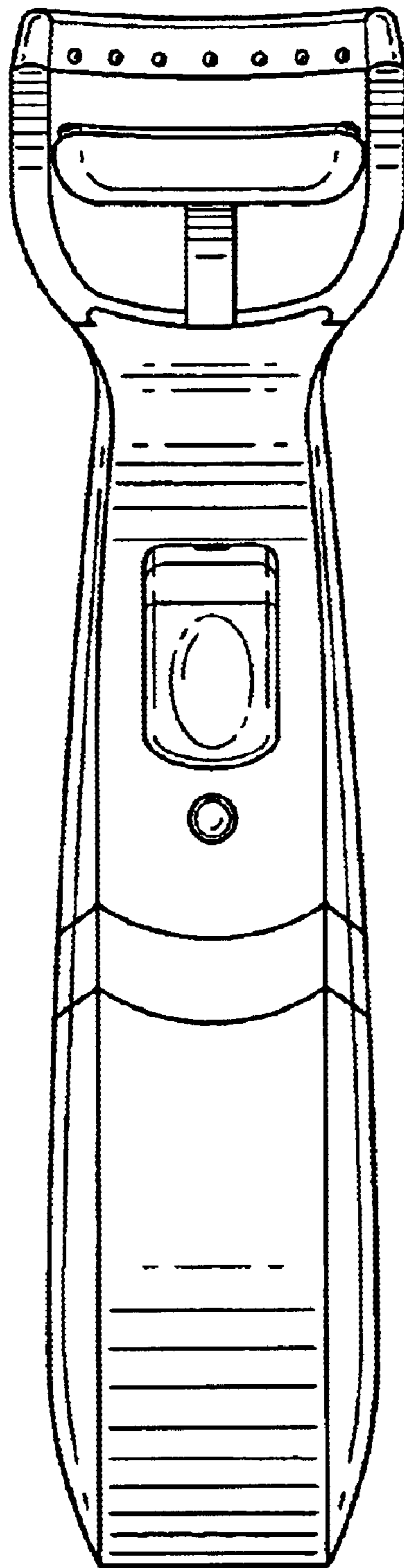


FIG. 6

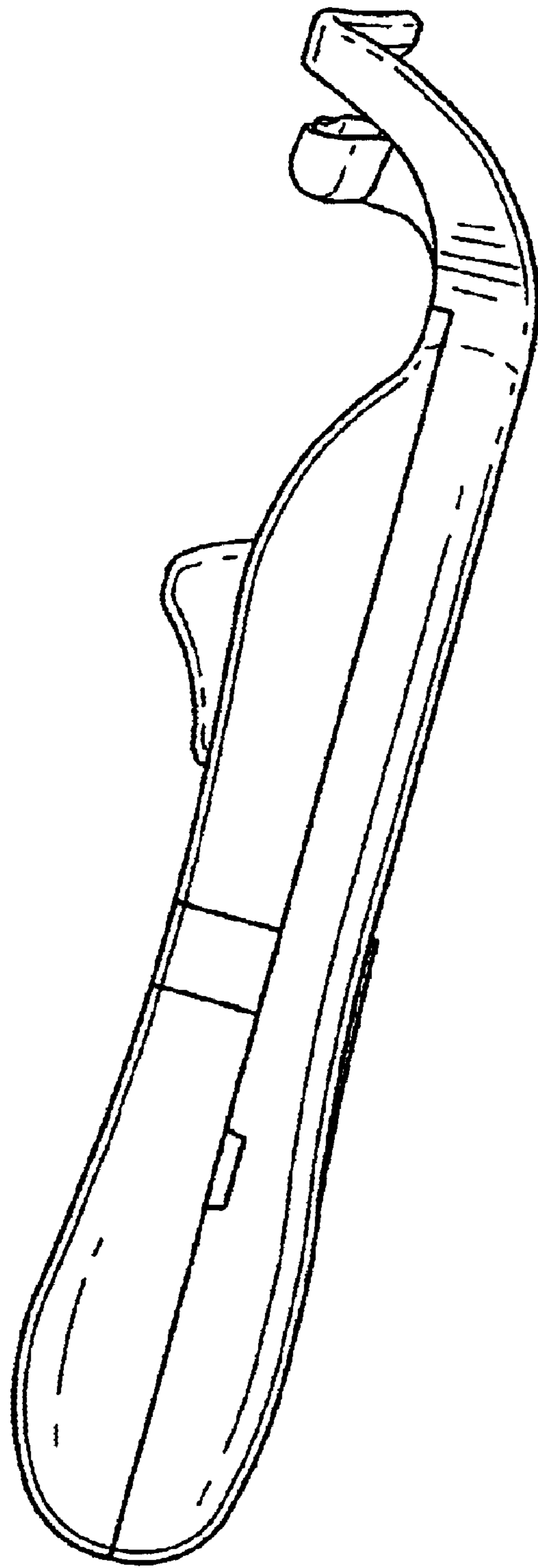


FIG. 7

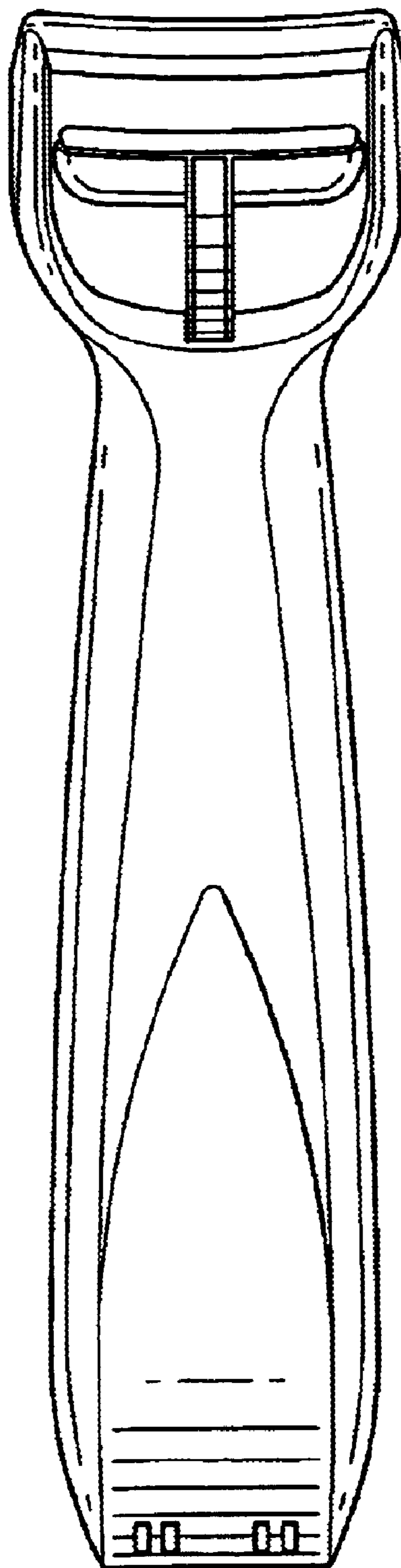


FIG. 8

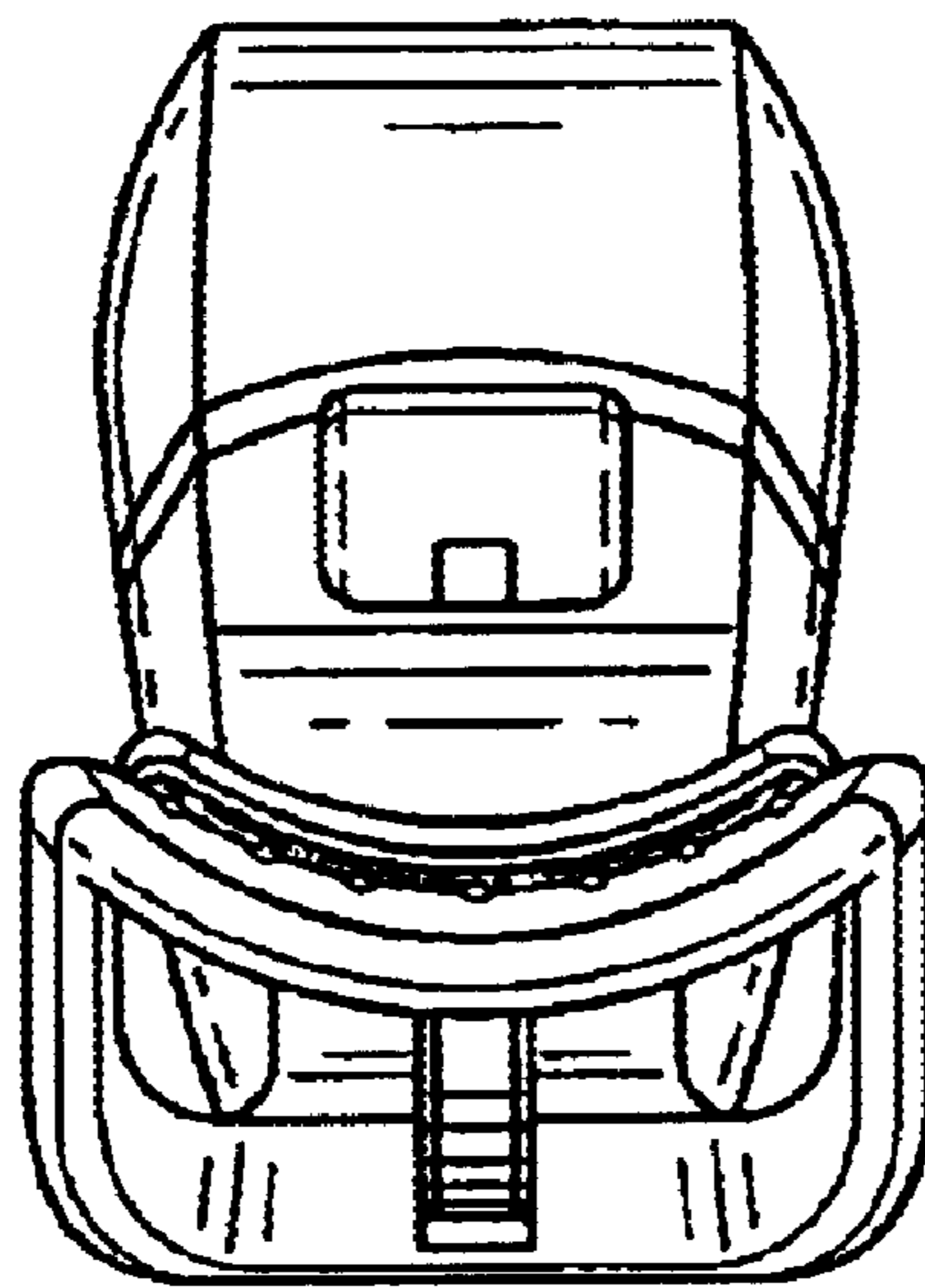


FIG. 9

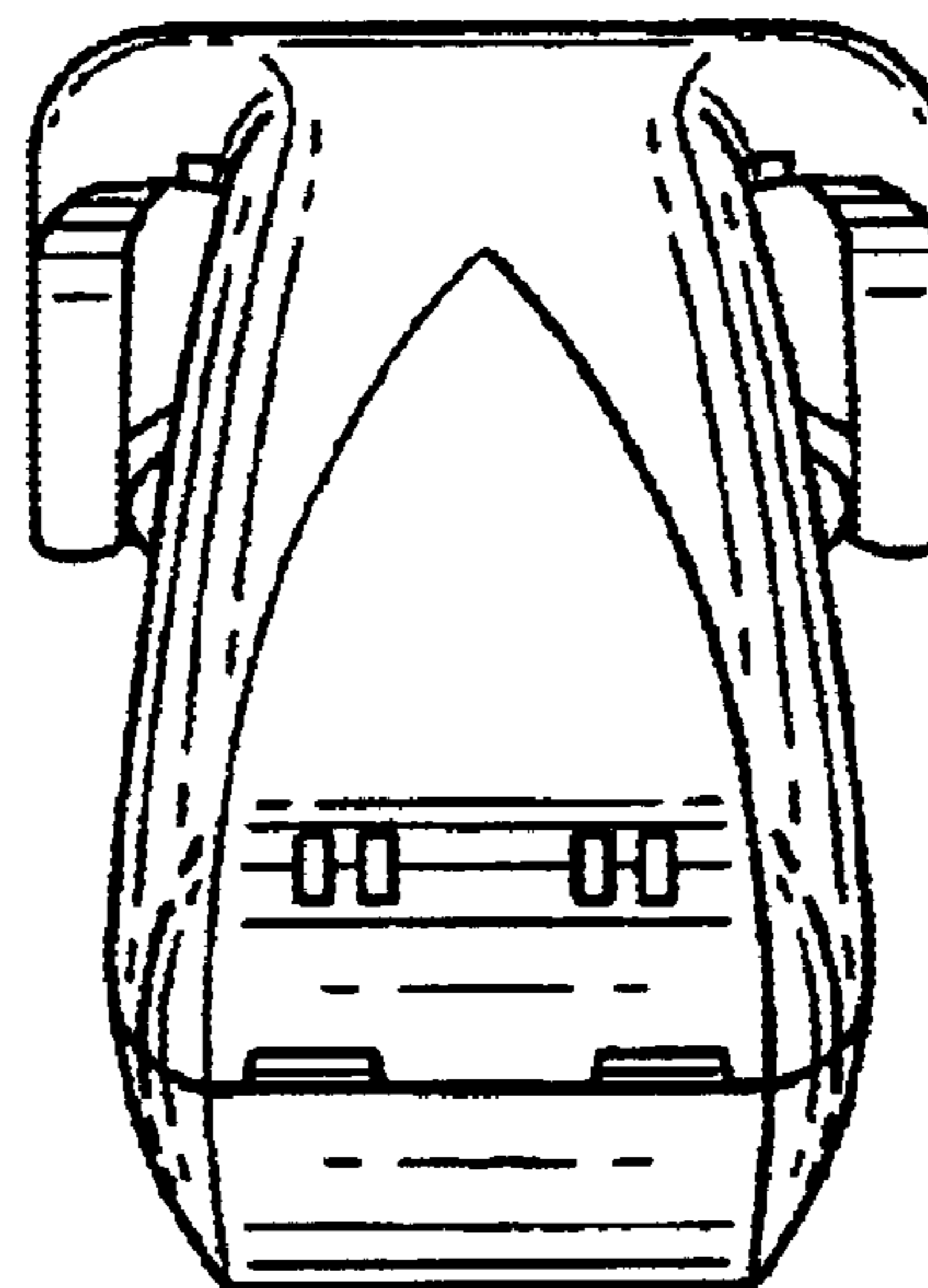


FIG. 10