

US00D492062S1

(12) **United States Design Patent**  
**Richmond**

(10) **Patent No.:** **US D492,062 S**  
(45) **Date of Patent:** **\*\* Jun. 22, 2004**

(54) **FISHING LURE CIGARETTE LIGHTER**

(74) *Attorney, Agent, or Firm*—Richard J. Poe

(76) **Inventor:** **Sid Richmond**, 524 N. Maple, North  
Little Rock, AR (US) 72114

(57) **CLAIM**

The ornamental design for a fishing lure cigarette lighter, as shown and described.

(\*\*) **Term:** **14 Years**

**DESCRIPTION**

(21) **Appl. No.:** **29/186,357**

FIG. 1 is a perspective view of the fishing lure cigarette lighter with the lid open;  
FIG. 2 is a top plan view of the fishing lure cigarette lighter with the lid closed;  
FIG. 3 is a side view thereof;  
FIG. 4 is a front view thereof;  
FIG. 5 is a rear view thereof;  
FIG. 6 is a bottom plan view thereof;  
FIG. 7 is a top view of the fishing lure cigarette lighter with the lid open;  
FIG. 8 is a side view thereof;  
FIG. 9 is a rear view thereof; and,  
FIG. 10 is a front view thereof.  
The broken line environmental showing is for illustrative purposes only and forms no part of the claimed design.

(22) **Filed:** **Jul. 14, 2003**

(51) **LOC (7) Cl.** ..... **27-05**

(52) **U.S. Cl.** ..... **D27/149**

(58) **Field of Search** ..... D27/141, 148–149,  
D27/154, 155, 157; 431/253, 254, 255,  
256, 267, 273, 277, 153

(56) **References Cited**

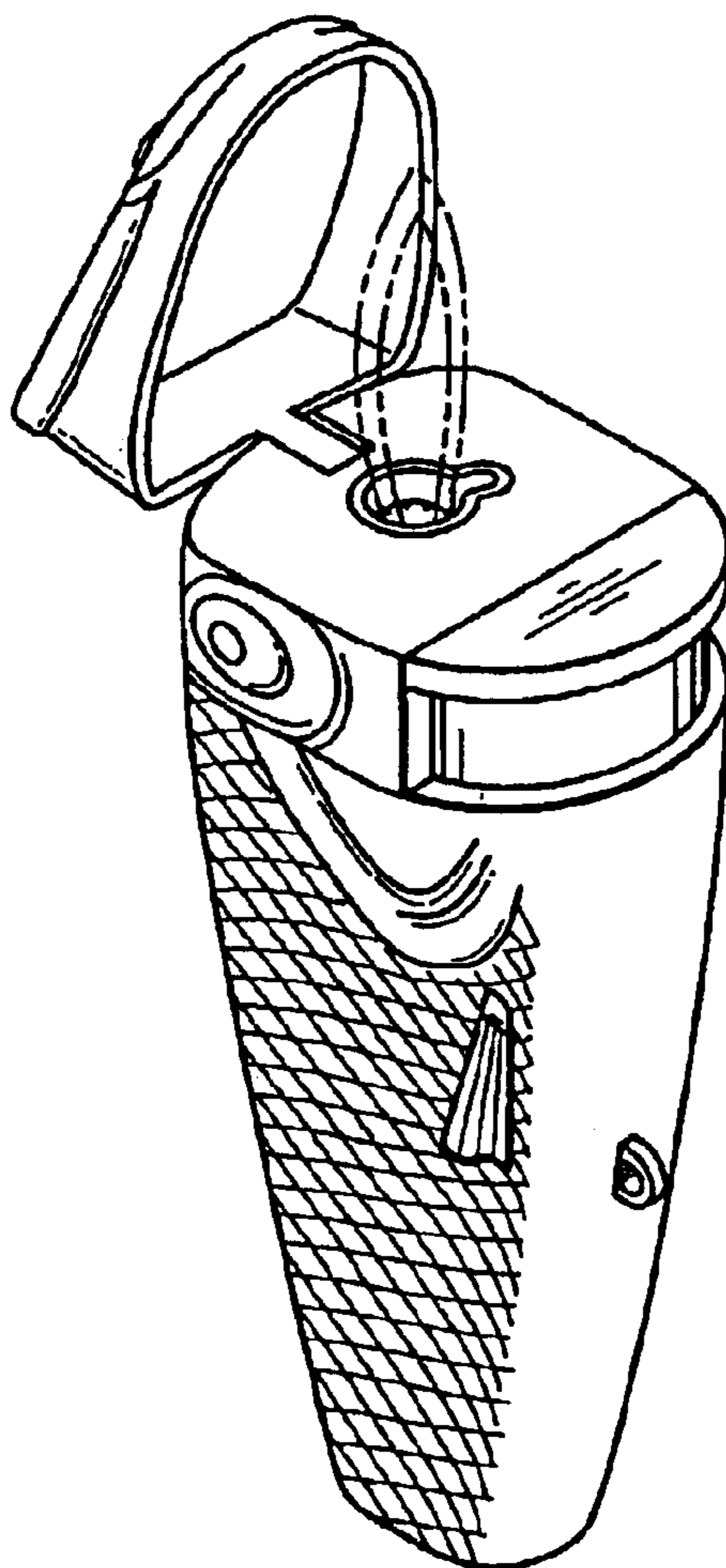
**U.S. PATENT DOCUMENTS**

6,000,932 A \* 12/1999 Willet ..... 431/254  
D419,718 S \* 1/2000 Mead ..... D27/149

\* cited by examiner

*Primary Examiner*—Jennifer Rivard

**1 Claim, 3 Drawing Sheets**



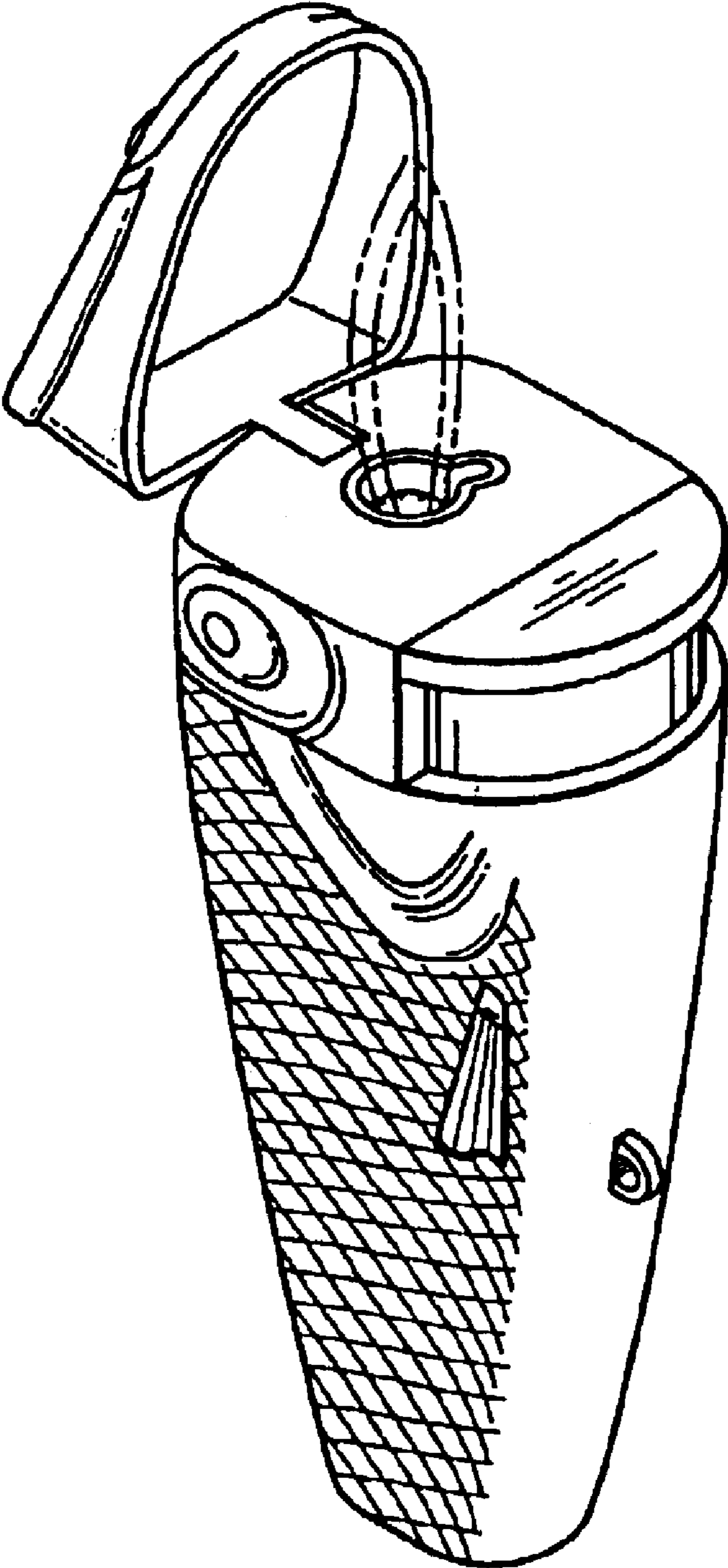


FIG. 1

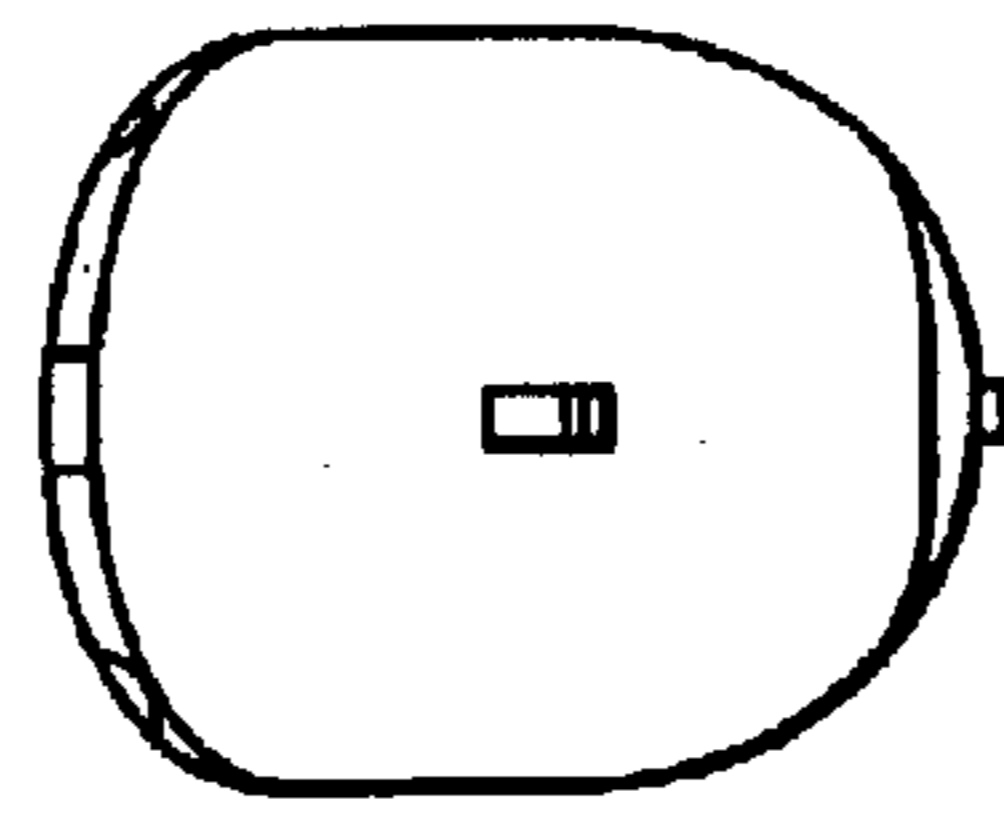


FIG. 2

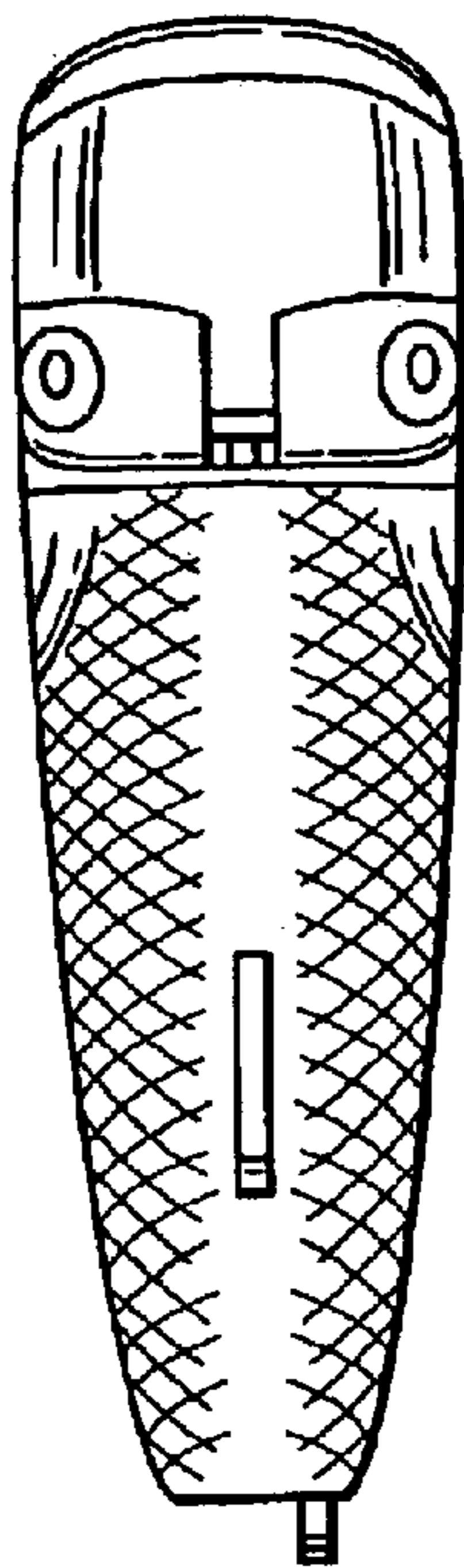


FIG. 5

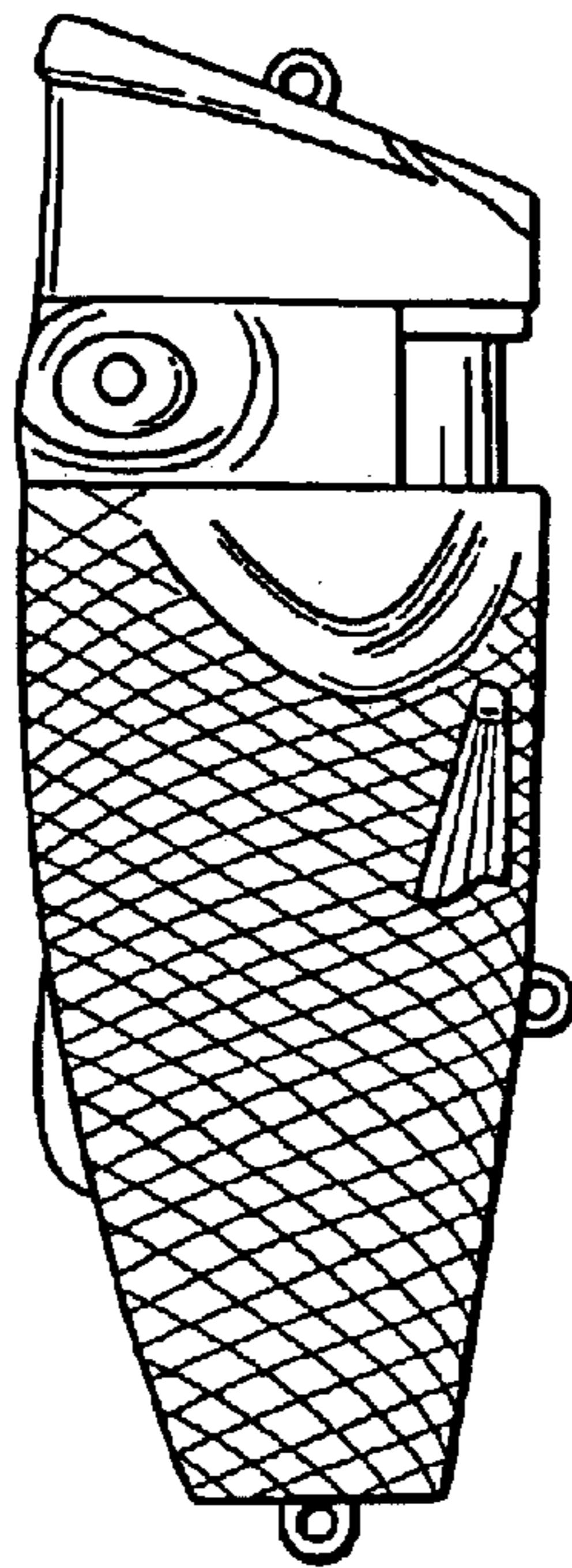


FIG. 3

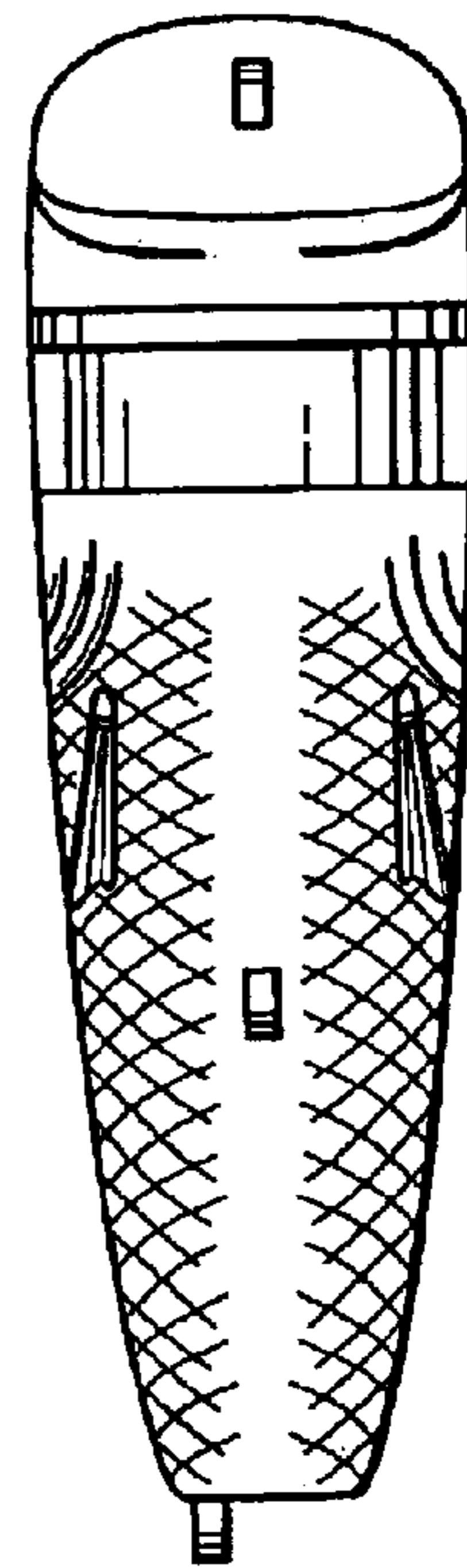


FIG. 4

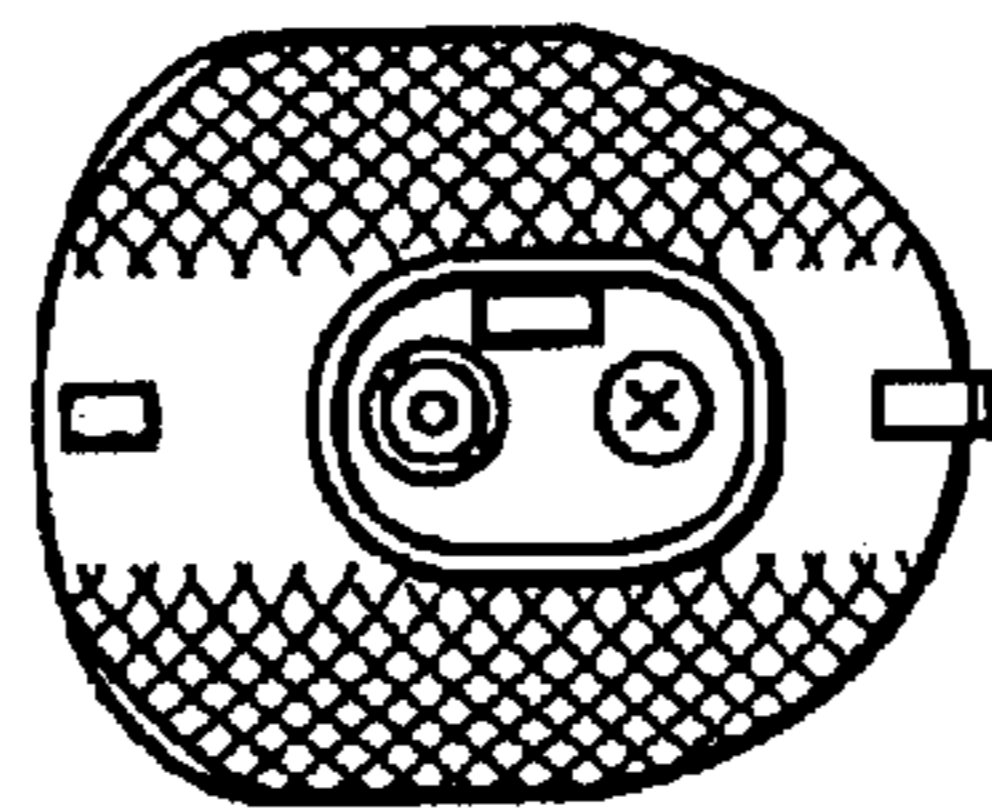


FIG. 6

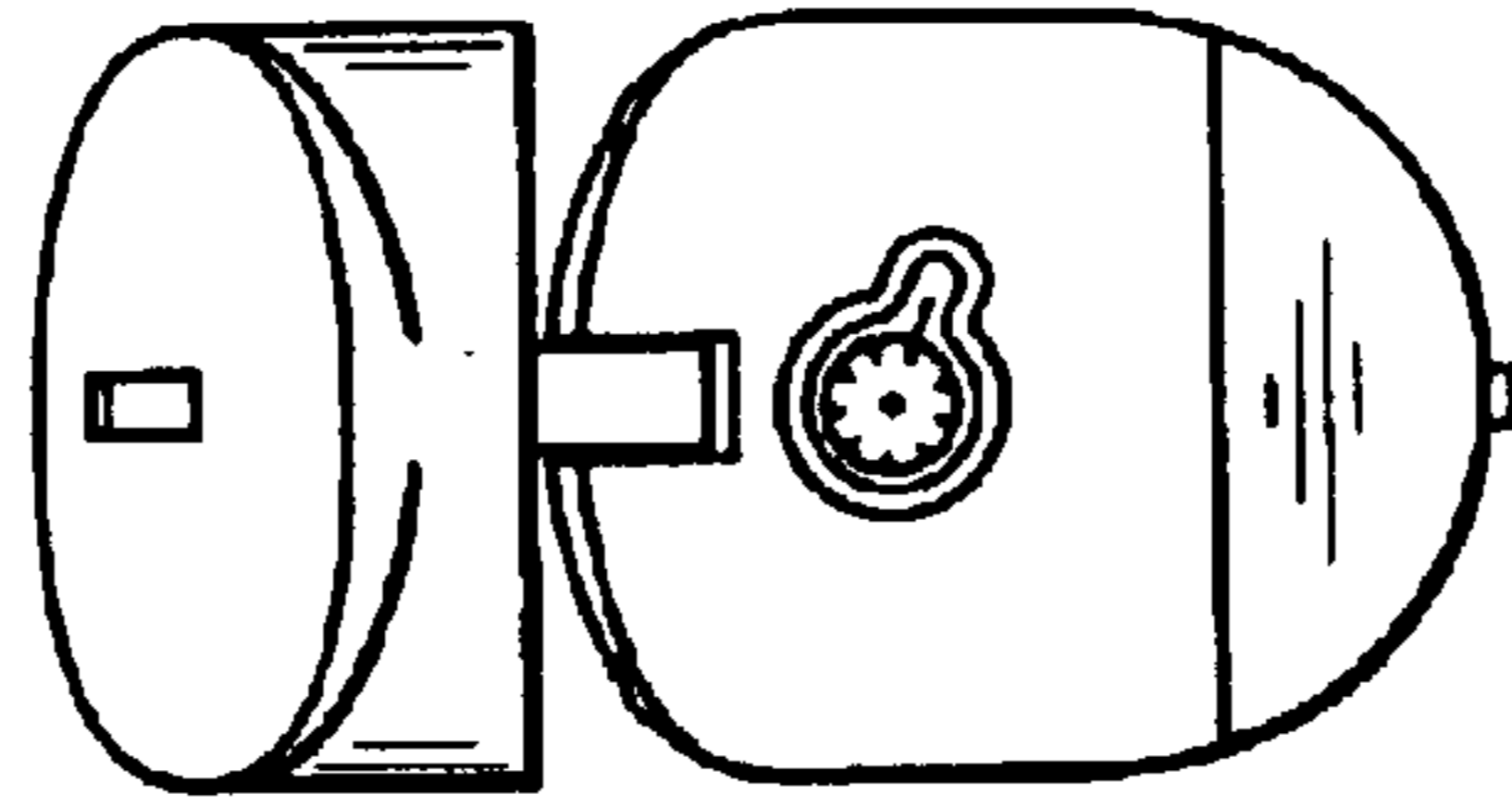


FIG. 7

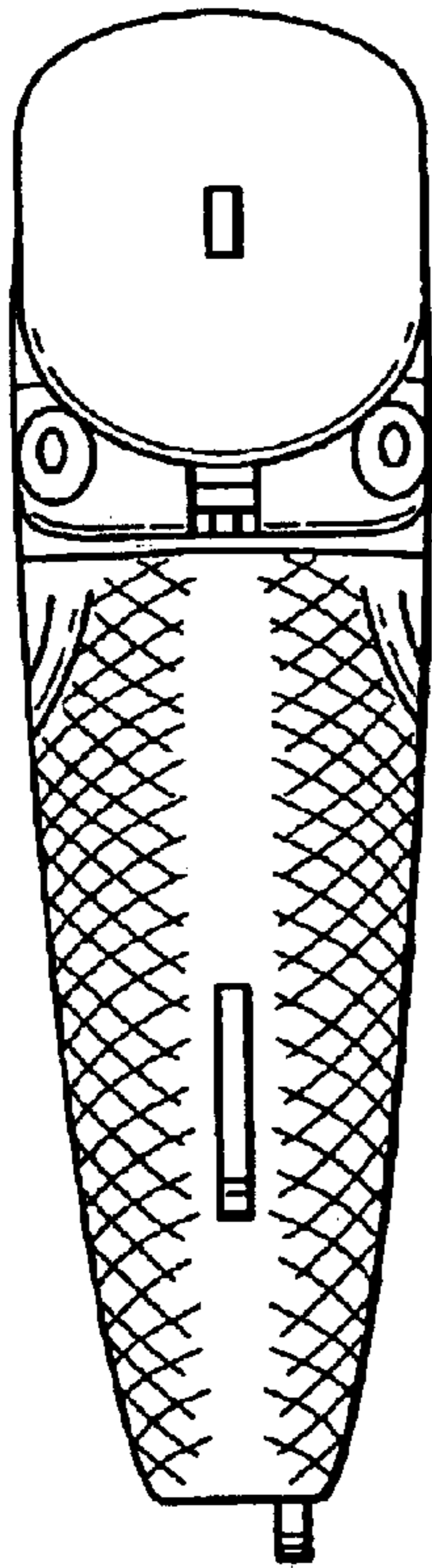


FIG. 9

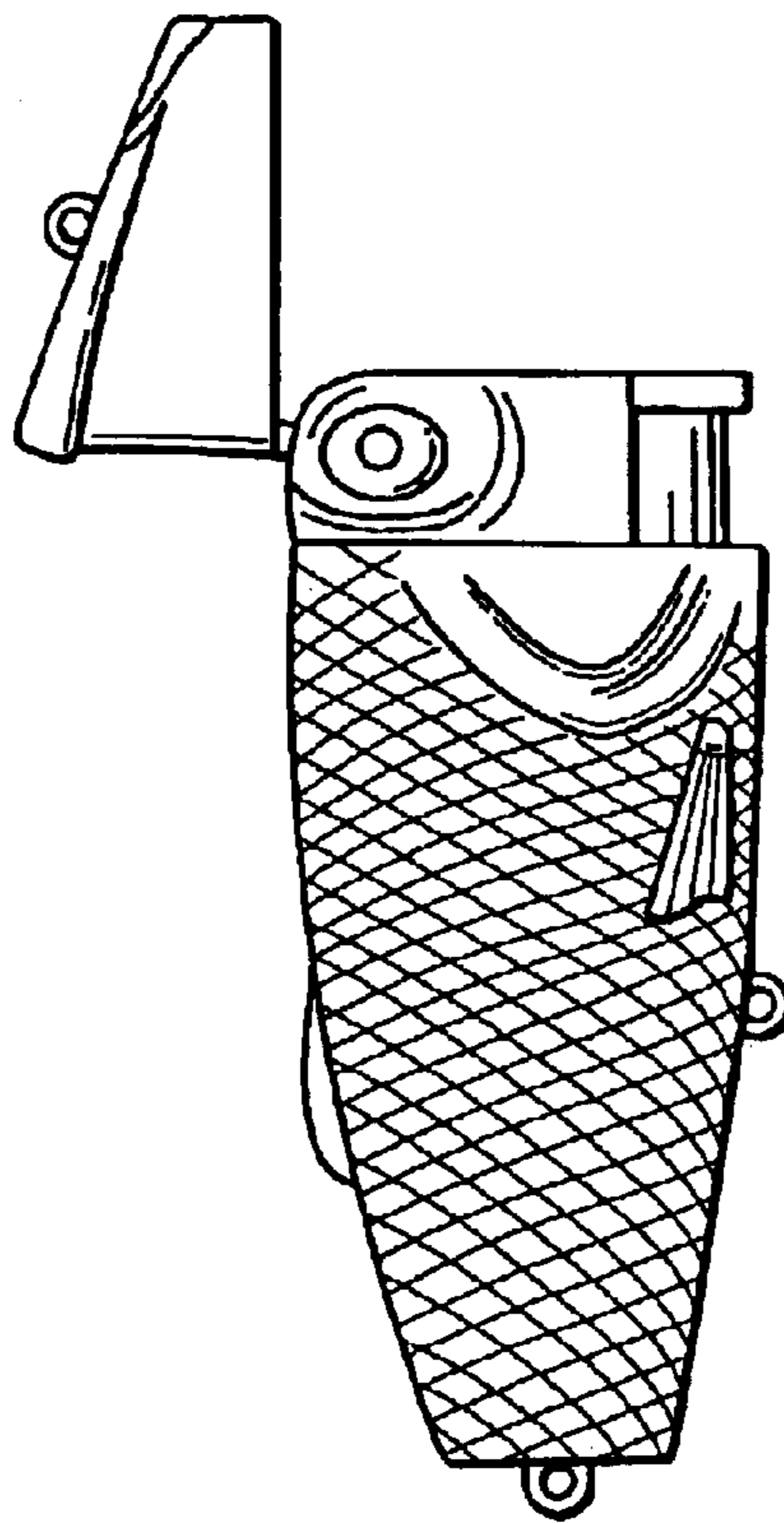


FIG. 8

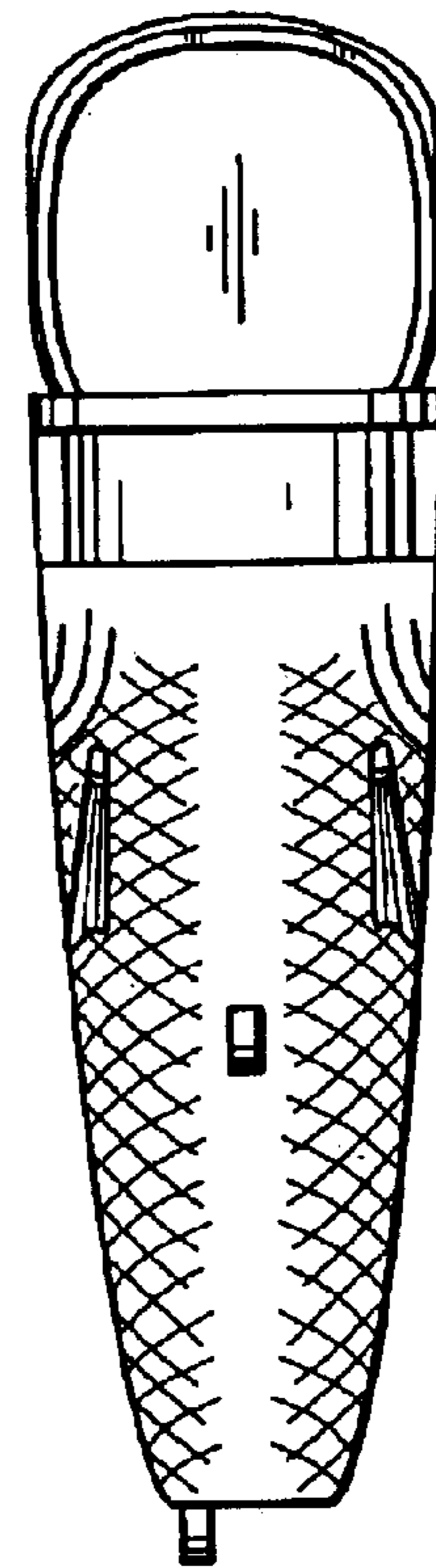


FIG. 10