

US00D492059S1

(12) **United States Design Patent**
Fritz

(10) **Patent No.:** **US D492,059 S**
(45) **Date of Patent:** **** Jun. 22, 2004**

(54) **LIGHTER**

D465,880 S * 11/2002 Smith D27/157

(75) Inventor: **Carl Wilbert Fritz**, Attleboro, MA
(US)

* cited by examiner

Primary Examiner—Jennifer Rivard

(73) Assignee: **Colibri Corporation**, Providence, RI
(US)

(74) *Attorney, Agent, or Firm*—Salter & Michaelson

(**) Term: **14 Years**

(57) **CLAIM**

The ornamental design for a lighter, as shown and described.

(21) Appl. No.: **29/186,309**

DESCRIPTION

(22) Filed: **Jul. 14, 2003**

FIG. 1 is a perspective view of a lighter showing my new design;

(51) **LOC (7) Cl.** **27-05**

FIG. 2 is a left side elevational view thereof;

(52) **U.S. Cl.** **D27/142; D27/157; D27/159**

FIG. 3 is a right side elevational view thereof;

(58) **Field of Search** D27/141, 142,
D27/154, 157, 159; 431/151, 153, 253–256,
267, 273, 277

FIG. 4 is a top plan view thereof;

FIG. 5 is a bottom plan view thereof;

FIG. 6 is a rear elevational view thereof;

FIG. 7 is a front elevational view thereof; and,

FIG. 8 is a perspective view thereof showing the cover in an open position.

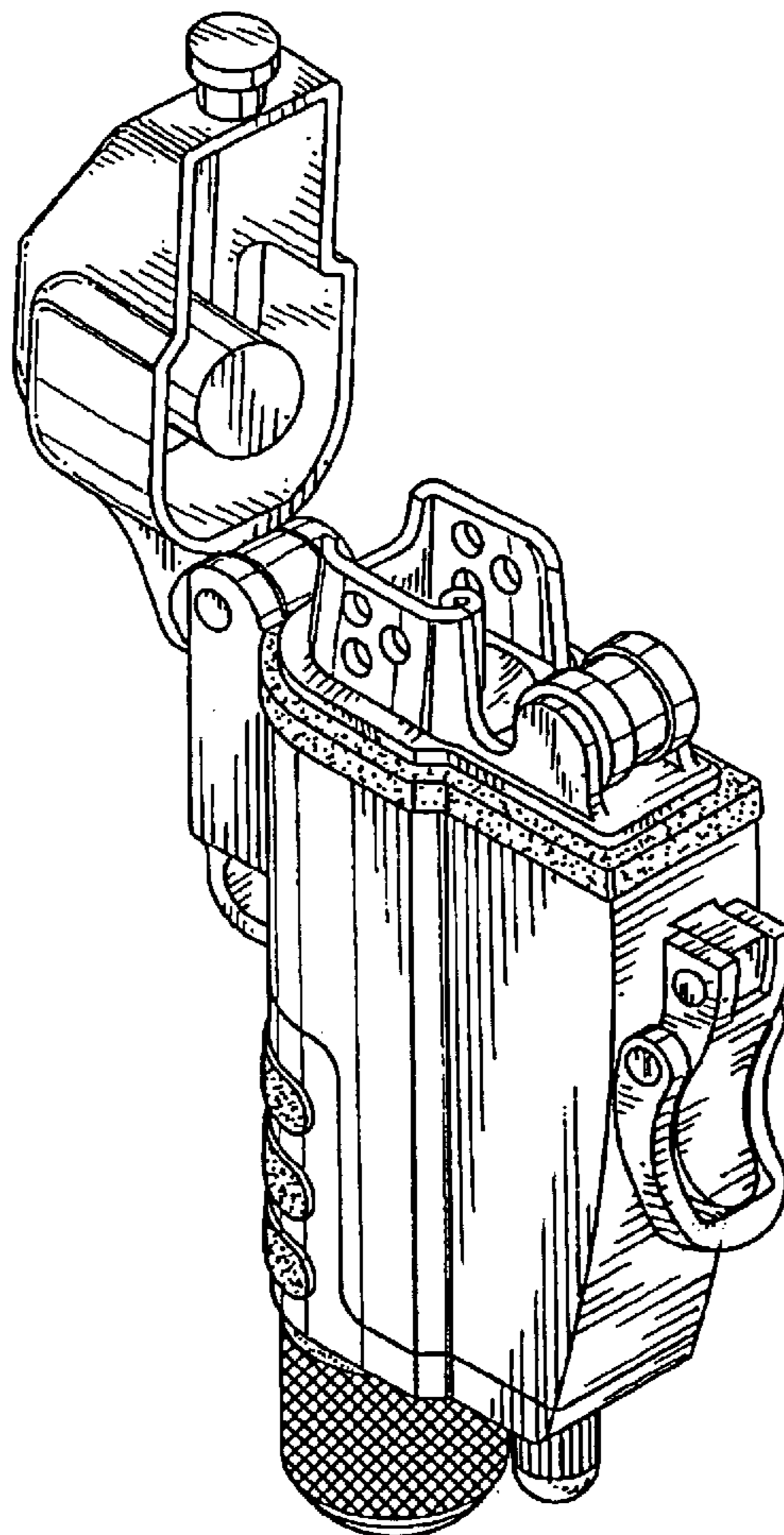
(56) **References Cited**

The portions shown in broken lines are for illustrative purposes only and form no part of the claimed design.

U.S. PATENT DOCUMENTS

D463,619 S * 9/2002 Lim D27/157
D463,881 S * 10/2002 Smith D27/157

1 Claim, 4 Drawing Sheets



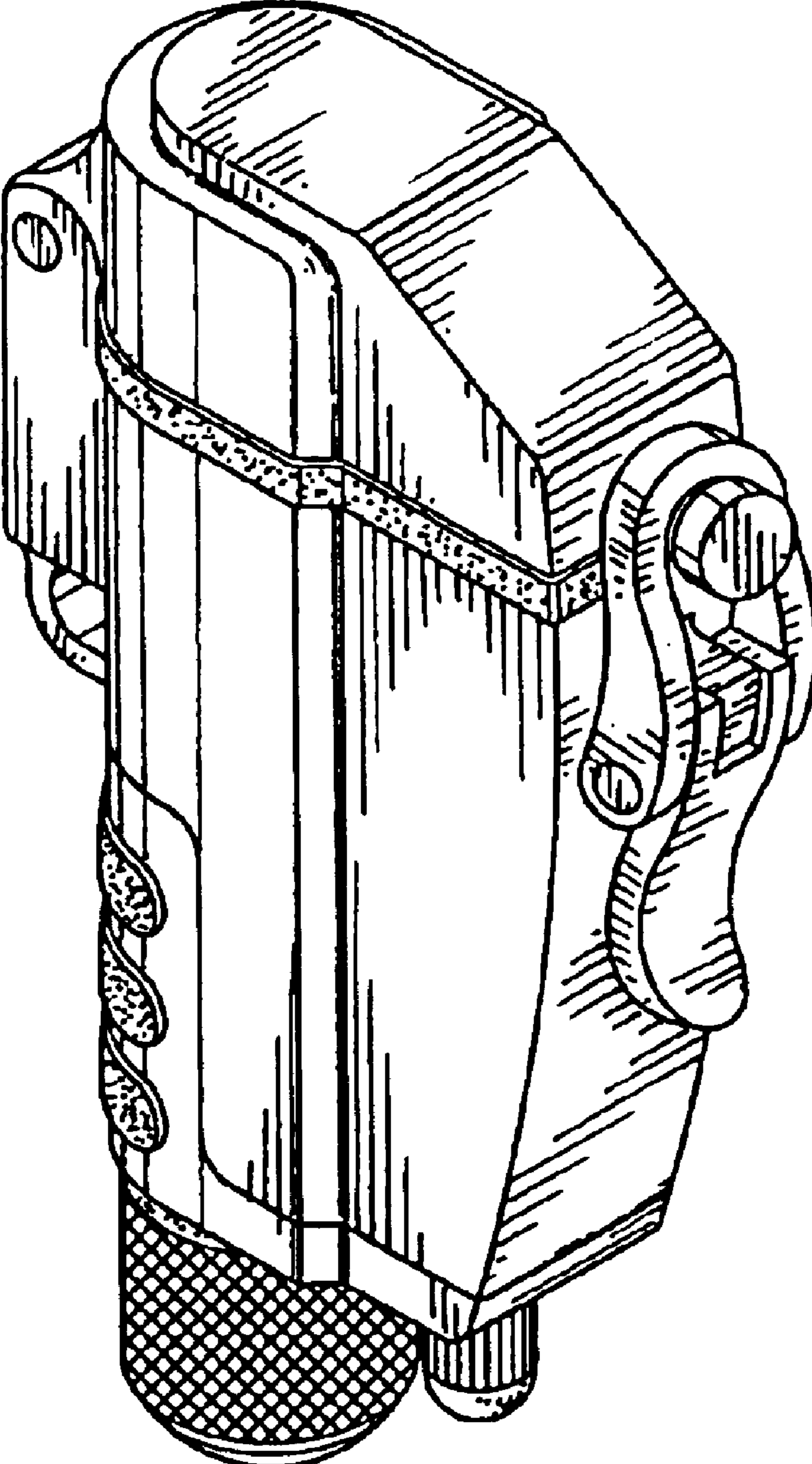


FIG. 1

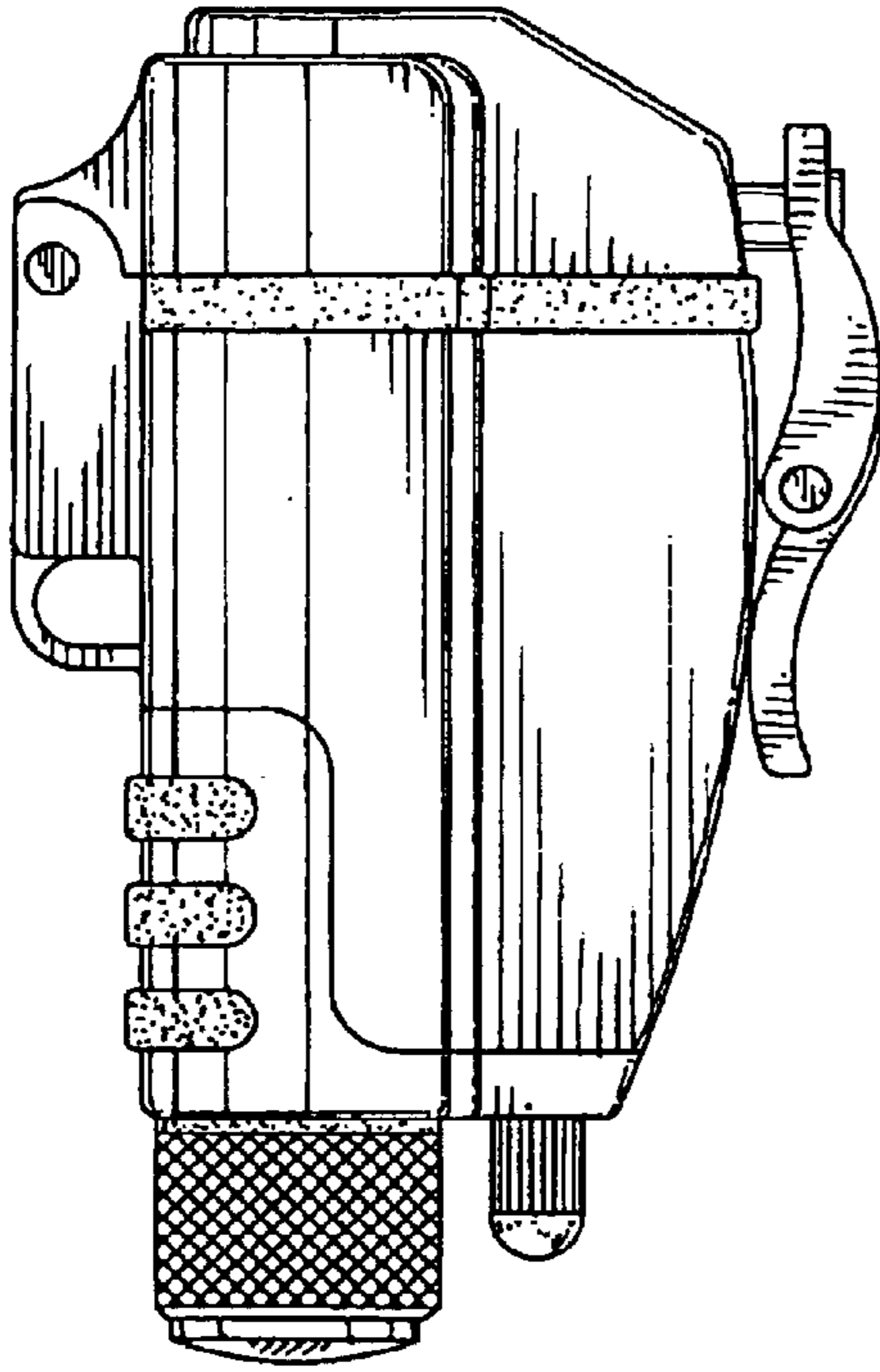


FIG. 2

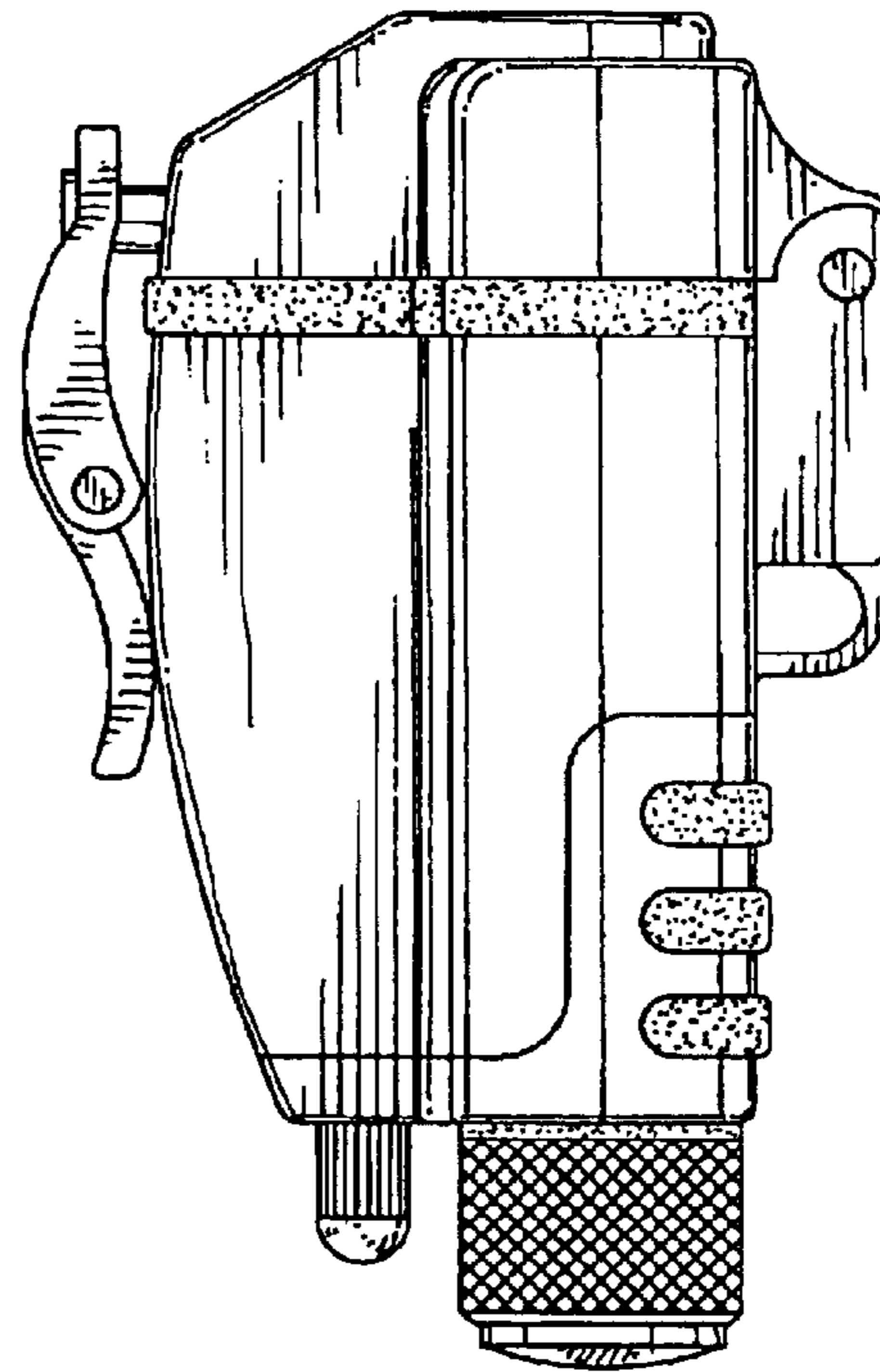


FIG. 3

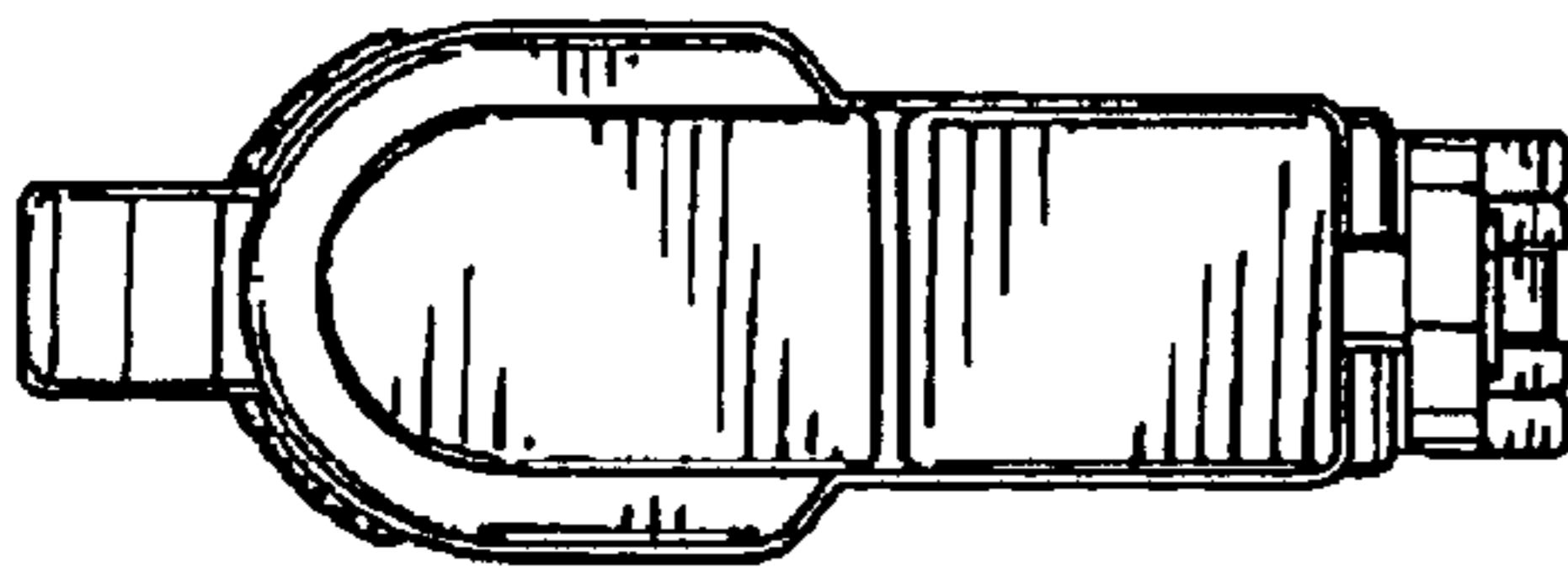


FIG. 4

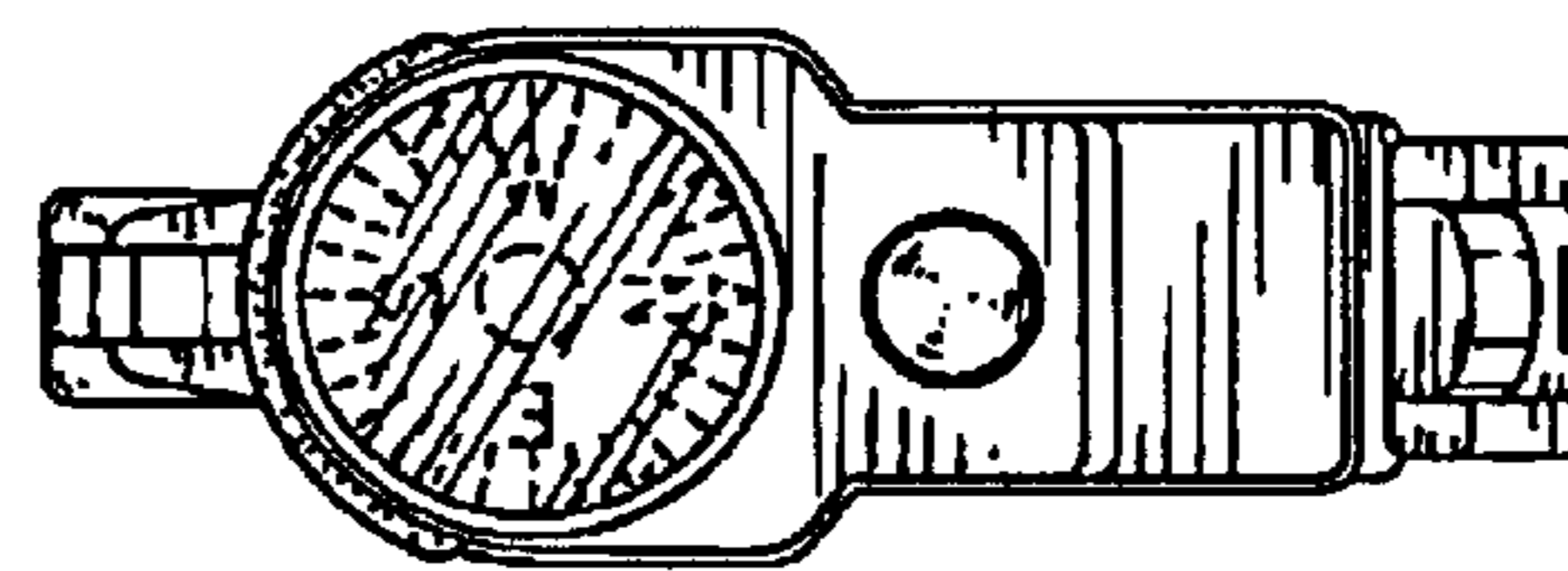


FIG. 5

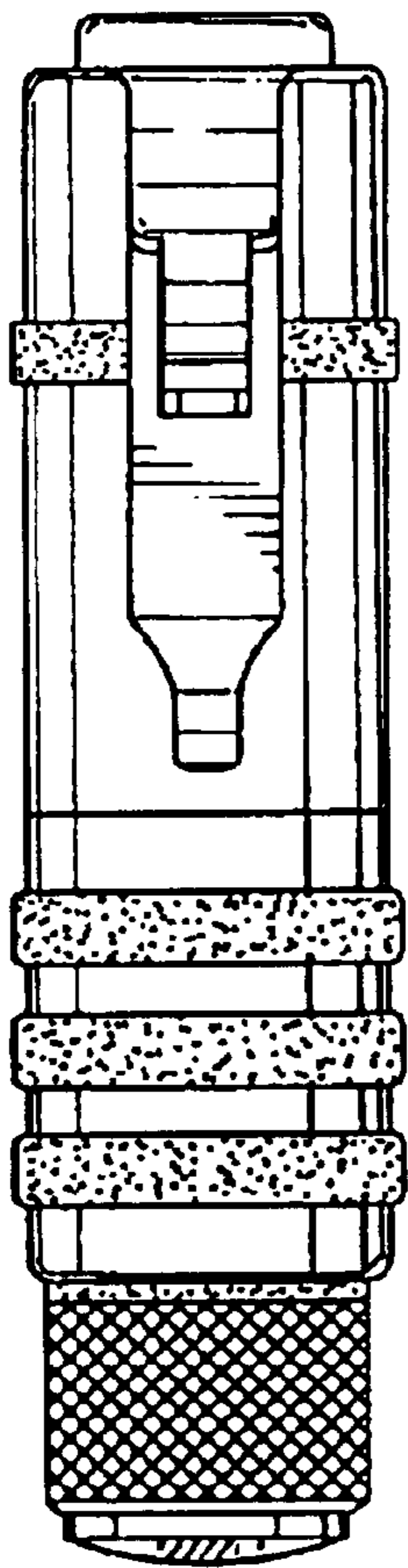


FIG. 6

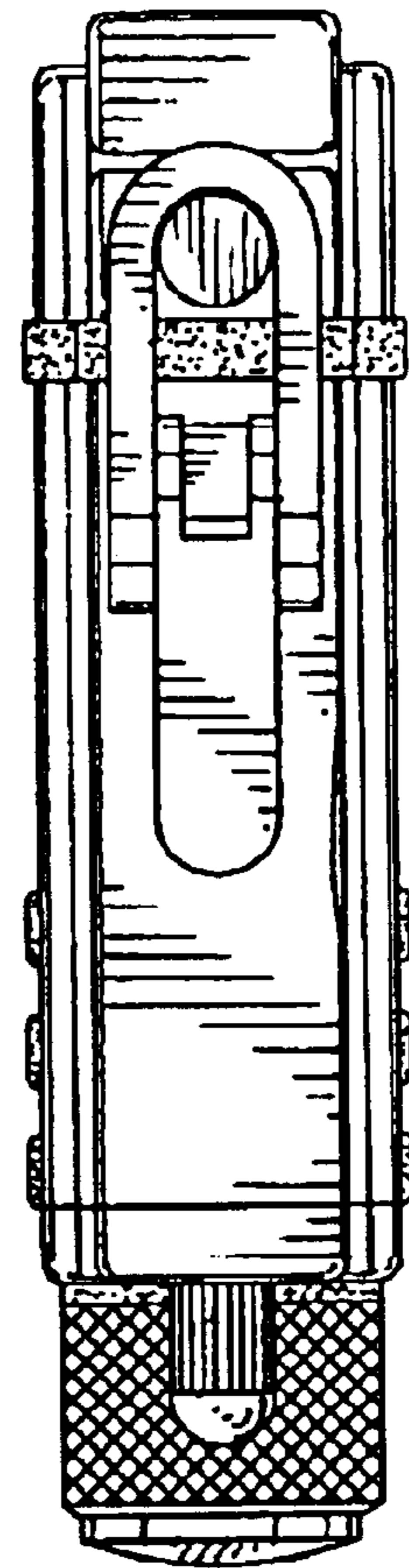


FIG. 7

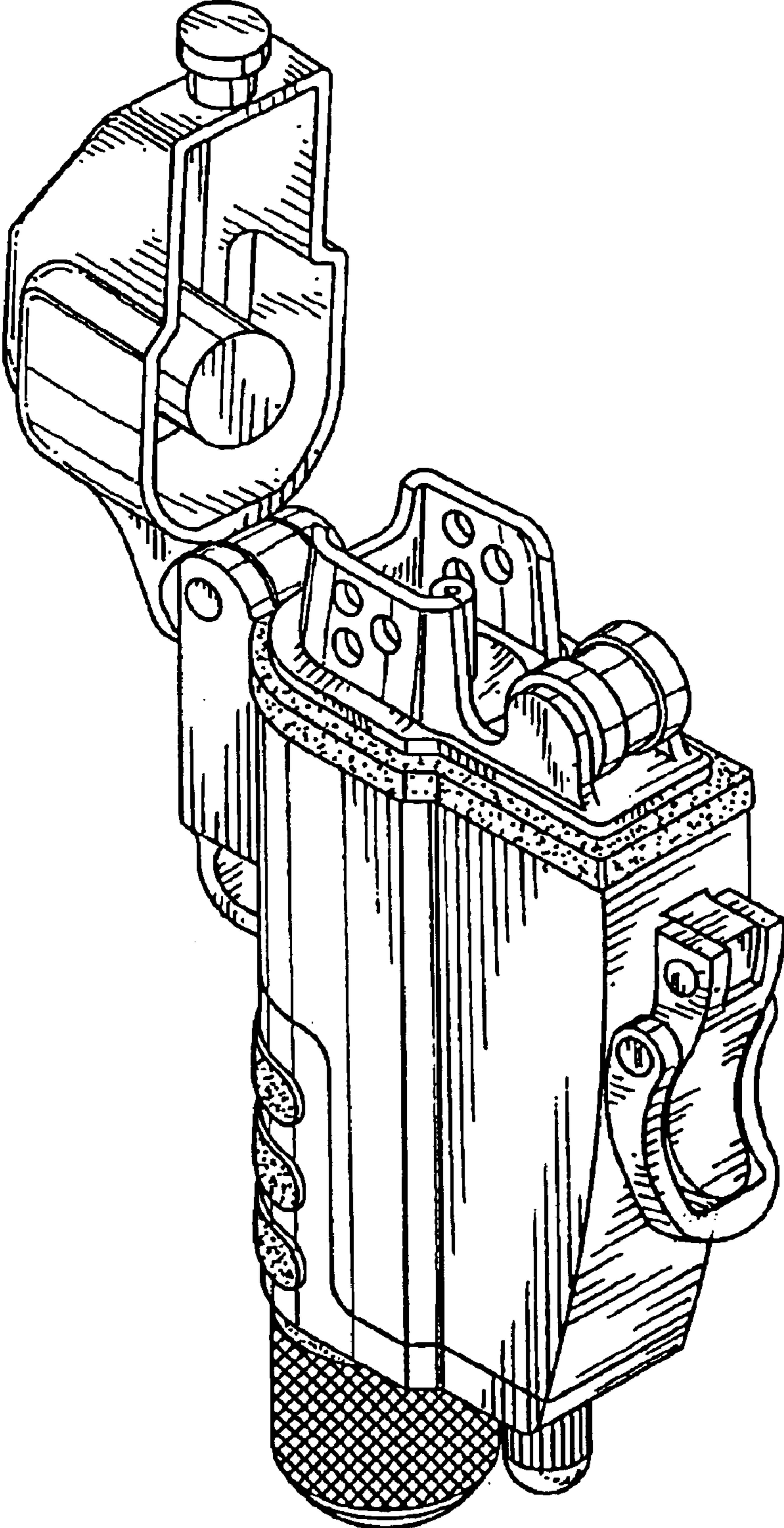


FIG. 8