



US00D492050S1

(12) **United States Design Patent**  
**Chung**

(10) **Patent No.:** **US D492,050 S**

(45) **Date of Patent:** **\*\* Jun. 22, 2004**

(54) **LIGHT FOR A KEY**

(76) **Inventor:** **Sheng Lone Chung**, 17355 Gale Ave.,  
Sutie B, City of Industry, CA (US)  
91748

(\*\*) **Term:** **14 Years**

(21) **Appl. No.:** **29/156,198**

(22) **Filed:** **Feb. 25, 2002**

(51) **LOC (7) Cl.** ..... **26-02**

(52) **U.S. Cl.** ..... **D26/37**

(58) **Field of Search** ..... D26/37-50; 362/157,  
362/158, 171-173, 183-208

(56) **References Cited**

**U.S. PATENT DOCUMENTS**

D375,372 S	*	11/1996	Allen	.....	D26/37
D425,226 S	*	5/2000	Galli	.....	D26/37
D446,324 S	*	8/2001	Lynch et al.	.....	D26/37
D457,670 S	*	5/2002	Allen	.....	D26/37

\* cited by examiner

*Primary Examiner*—Marcus A. Jackson

(74) *Attorney, Agent, or Firm*—Jen-Feng Lee

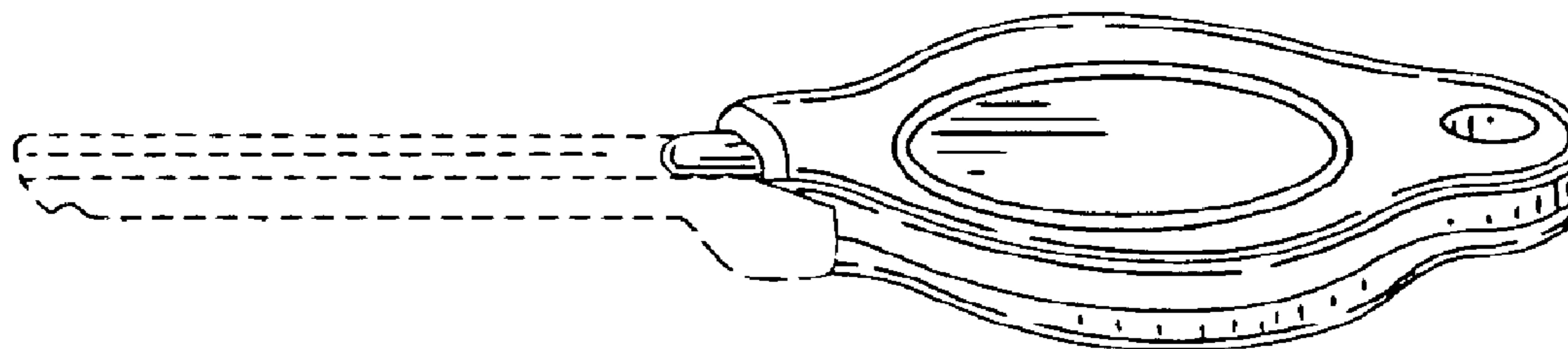
(57) **CLAIM**

I claim the ornamental design for a light for a key, as shown and described.

**DESCRIPTION**

FIG. 1 is a perspective view of a light for a key showing my new design, with the broken line showing for illustrative purposes only and forming no part of the claimed design; FIG. 2 is a front elevational view thereof; FIG. 3 is a top plan view thereof, with the bottom being a mirror image; FIG. 4 is a side elevational view thereof, with the opposite side being a mirror image; FIG. 5 is a perspective view of a second embodiment thereof; FIG. 6 is a side elevational view thereof, with the opposite side being a mirror image; FIG. 7 is a front elevational view thereof; and, FIG. 8 is a top plan view thereof, with the bottom being a mirror image.

**1 Claim, 2 Drawing Sheets**



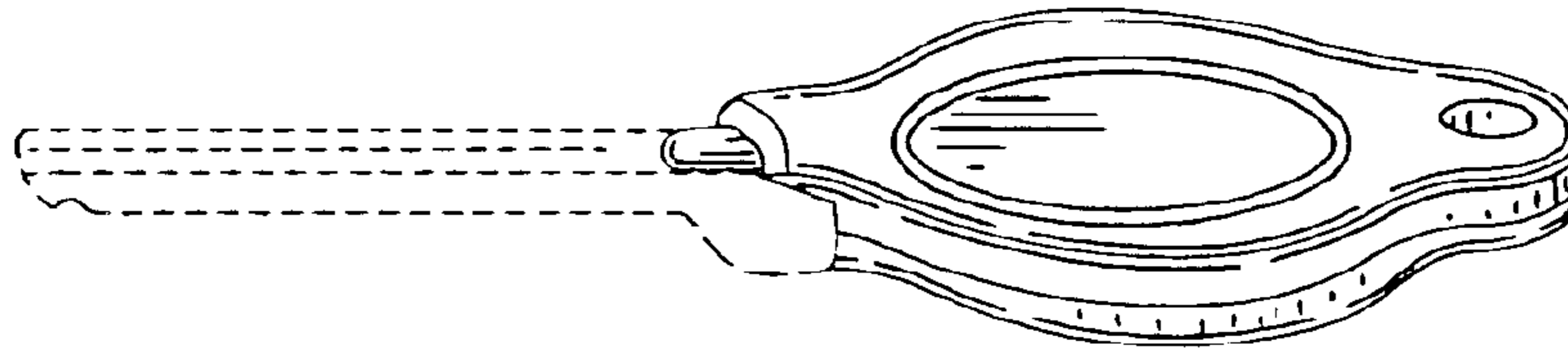


FIG. 1

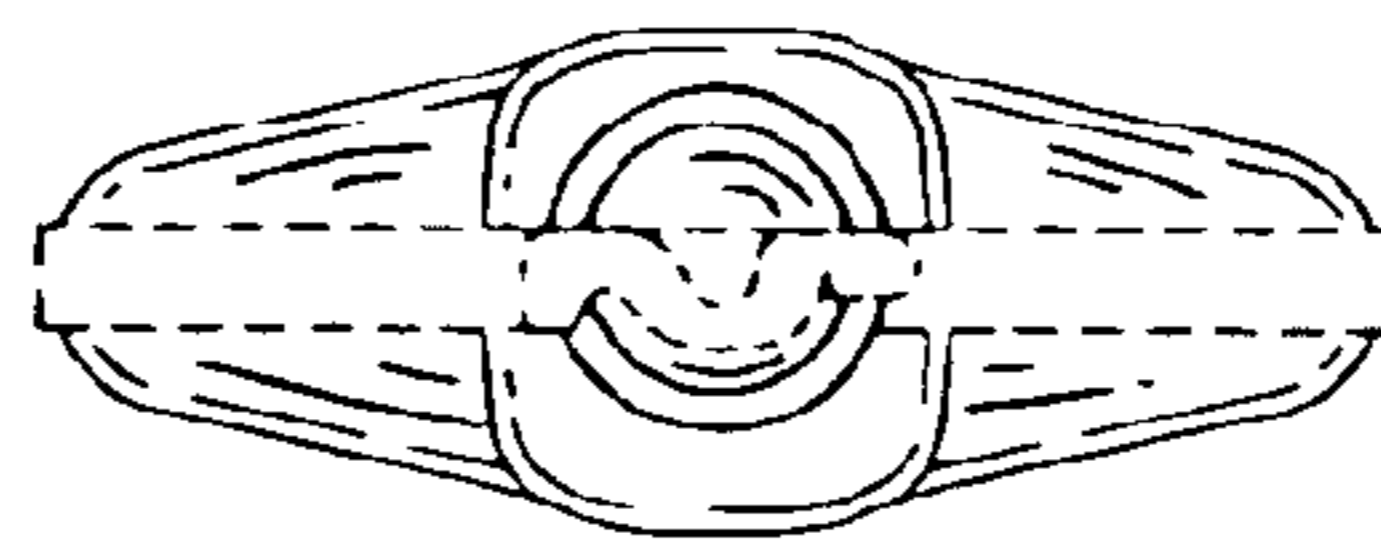


FIG. 2

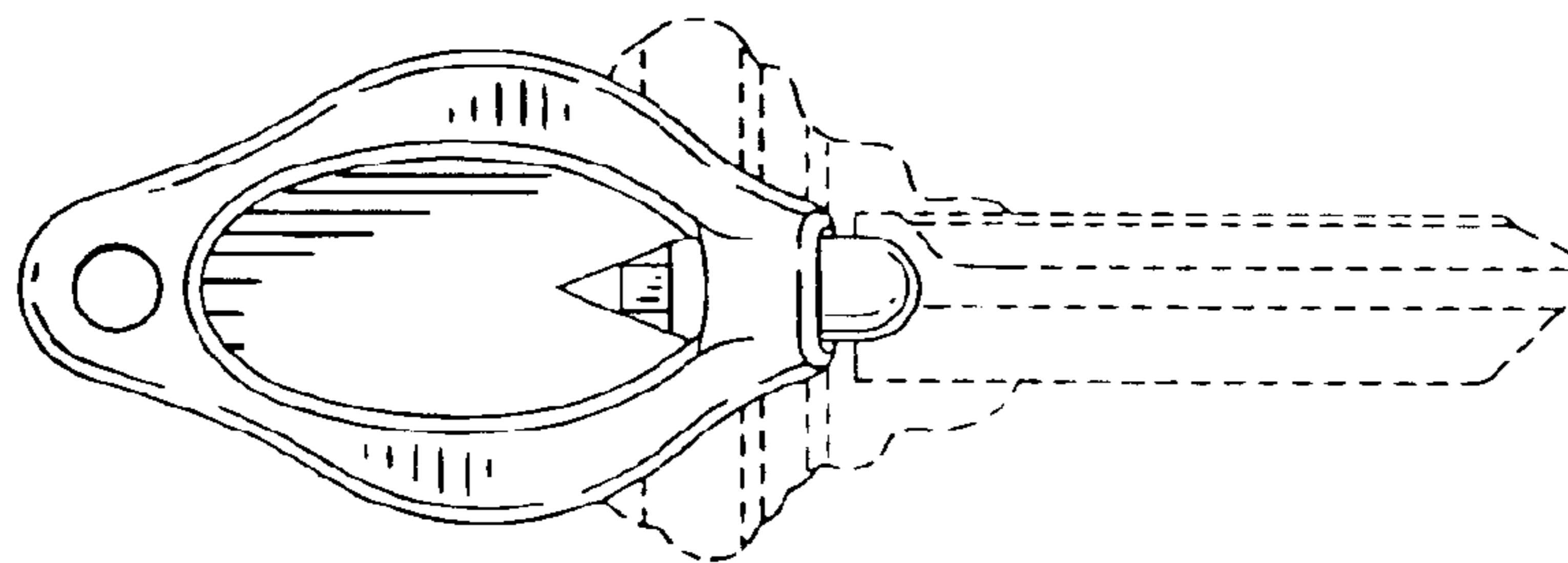


FIG. 3

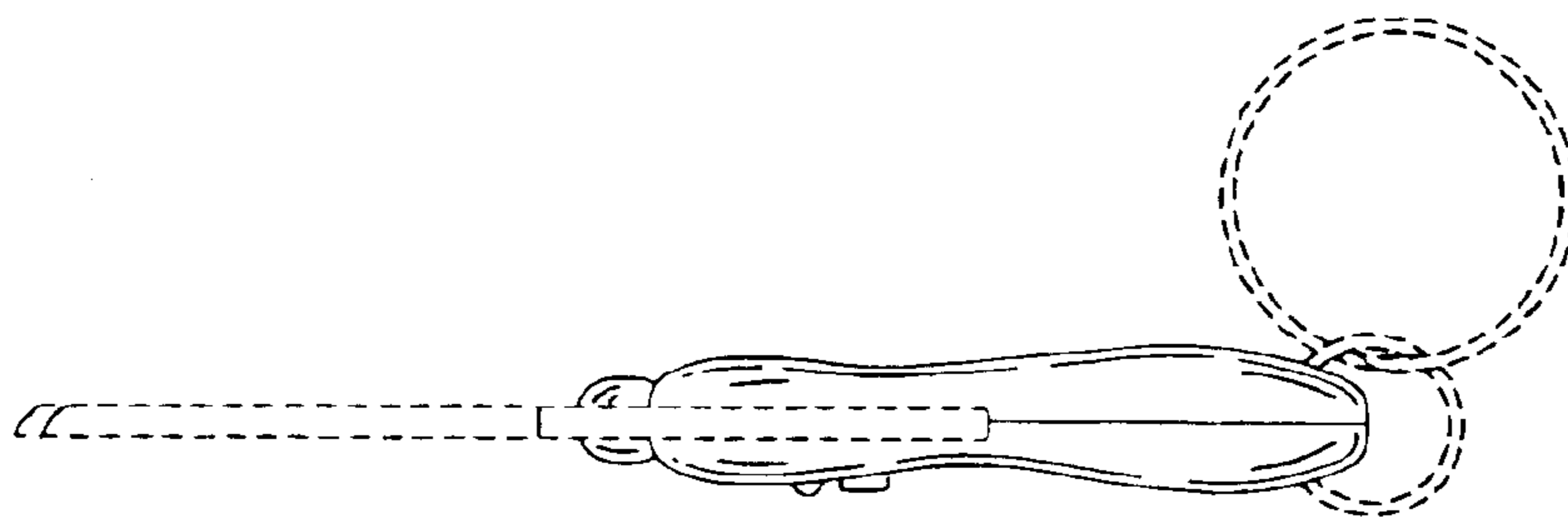
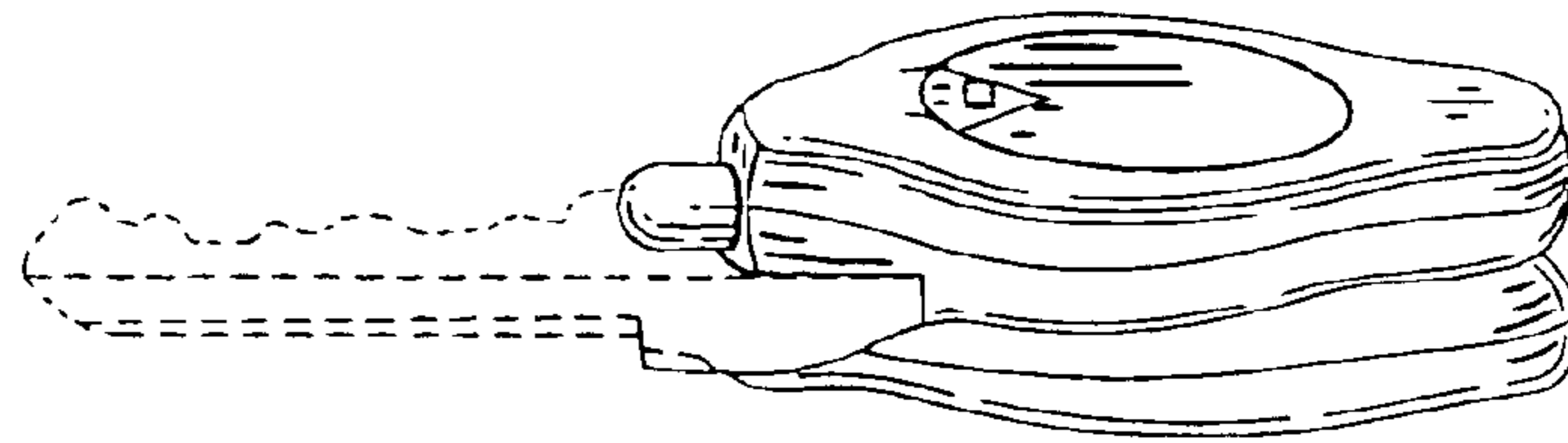
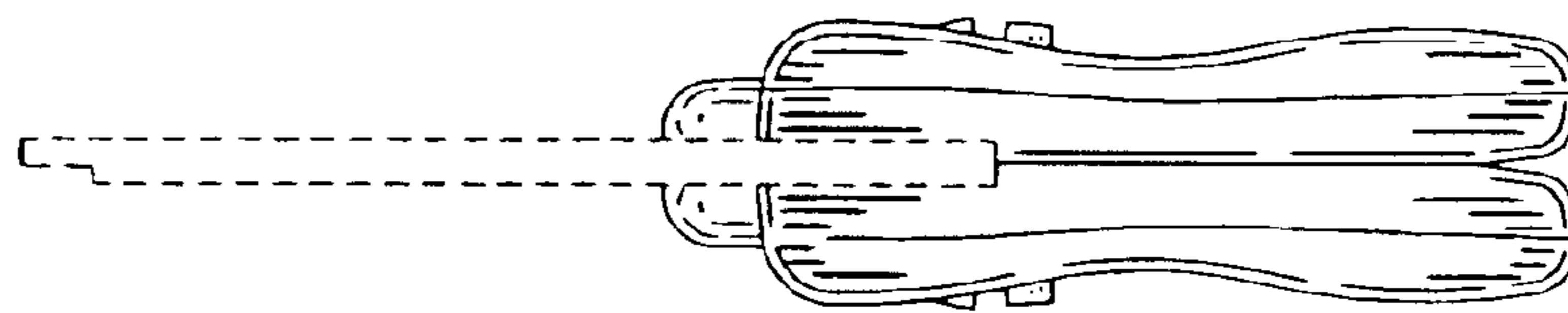


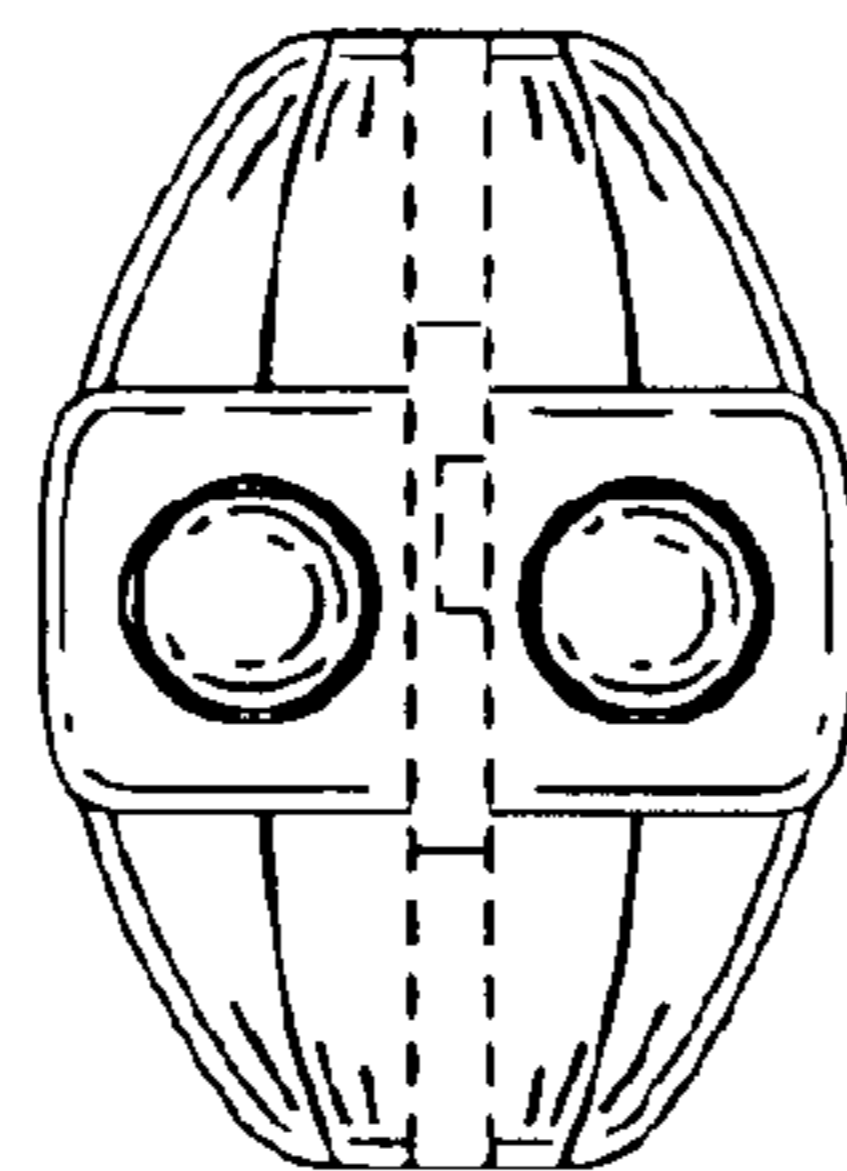
FIG. 4



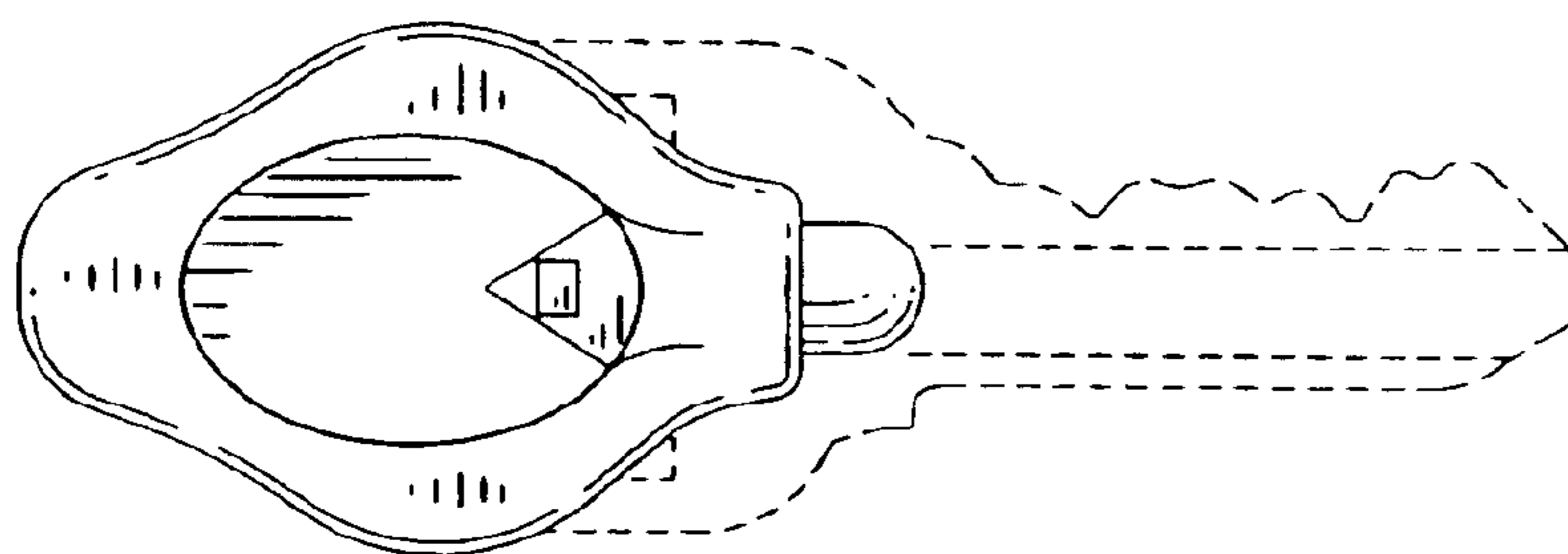
**FIG. 5**



**FIG. 6**



**FIG. 7**



**FIG. 8**