

US00D492048S1

(12) **United States Design Patent**
Moisy et al.

(10) **Patent No.:** **US D492,048 S**
(45) **Date of Patent:** **** Jun. 22, 2004**

(54) **REAR LAMP**

D480,822 S * 10/2003 Horowitz D26/28
D484,261 S * 12/2003 Liao D26/28

(75) Inventors: **Eric Moisy**, Livry Gargan (FR); **Rémi Maliar**, Saint Saulve (FR); **Laurent Pradeau**, Braine l'Alleud (BE)

* cited by examiner

Primary Examiner—Marcus A. Jackson

(73) Assignee: **Valeo Vision**, Bobigny Cedex (FR)

(74) *Attorney, Agent, or Firm*—Morgan & Finnegan, LLP

(**) Term: **14 Years**

(57) **CLAIM**

We claim the ornamental design for a rear lamp, as shown and described.

(21) Appl. No.: **29/186,262**

(22) Filed: **Jul. 11, 2003**

DESCRIPTION

(30) **Foreign Application Priority Data**

Jan. 14, 2003 (FR) 03 0184

FIG. 1 is a perspective view illustrating the top, front and left side of a design for a rear lamp;

(51) **LOC (7) Cl.** **26-04**

FIG. 2 is a front elevational view thereof;

(52) **U.S. Cl.** **D26/28**

FIG. 3 is a top plan view thereof;

(58) **Field of Search** D26/28-36; 362/61, 362/80, 81, 82, 83, 83.3, 267, 269, 275, 330-340

FIG. 4 is a left side elevational view thereof;

FIG. 5 is a right side elevational view thereof;

FIG. 6 is a rear elevational view thereof; and,

FIG. 7 is a bottom plan view thereof.

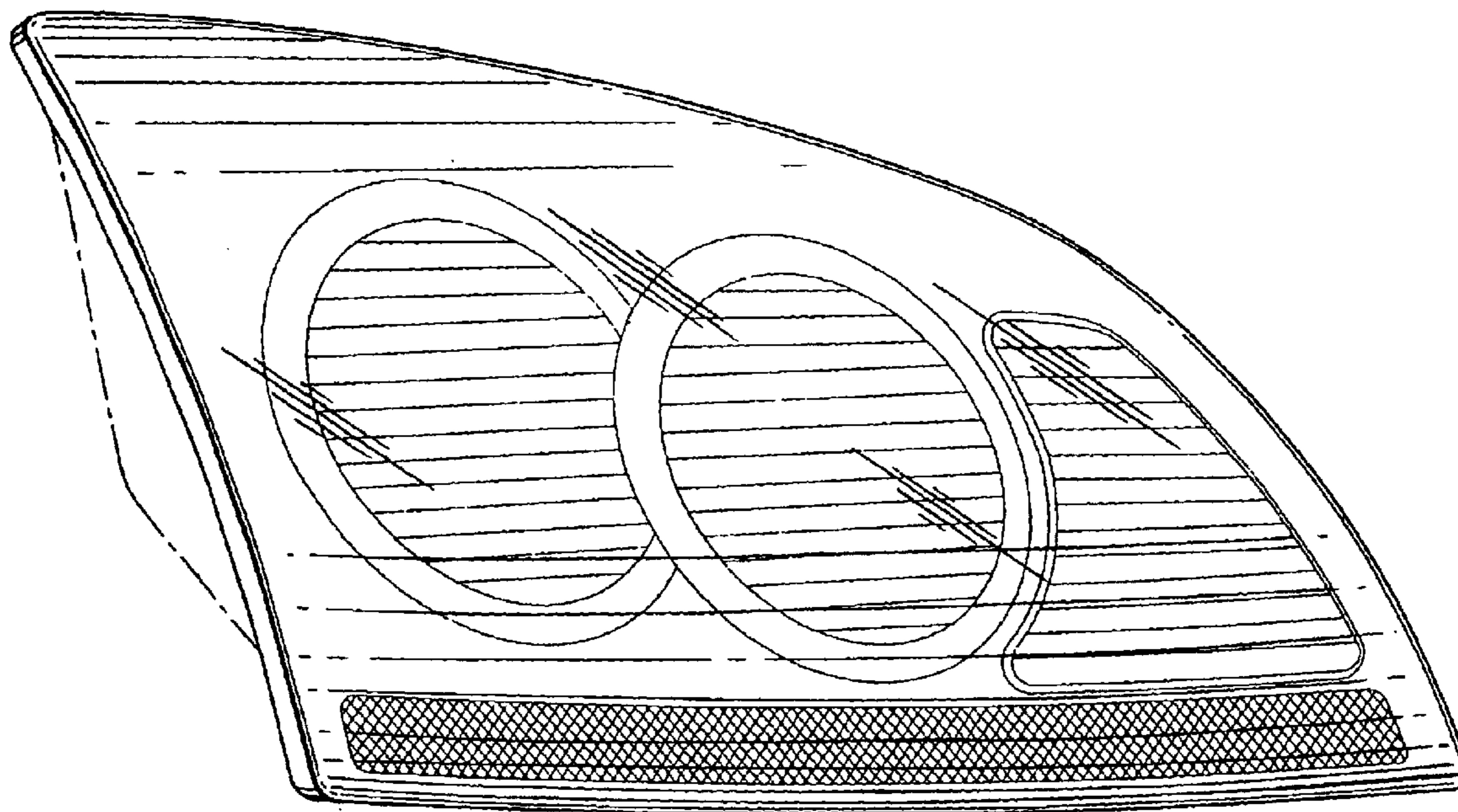
The areas shown in broken lines are for illustrative purposes only and form no part of the claimed design.

(56) **References Cited**

U.S. PATENT DOCUMENTS

D469,897 S * 2/2003 Liao et al. D26/28

1 Claim, 6 Drawing Sheets



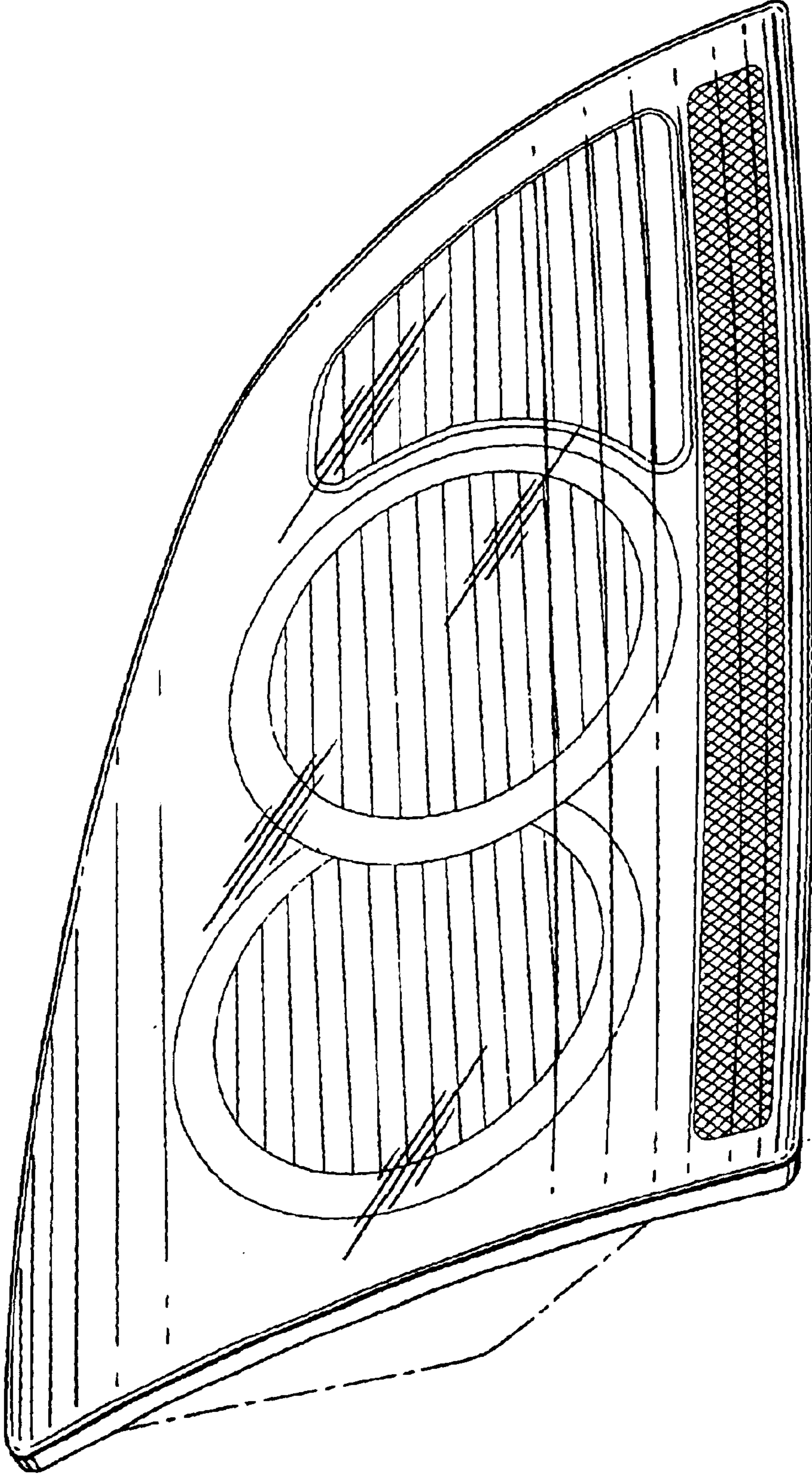


FIG. 1

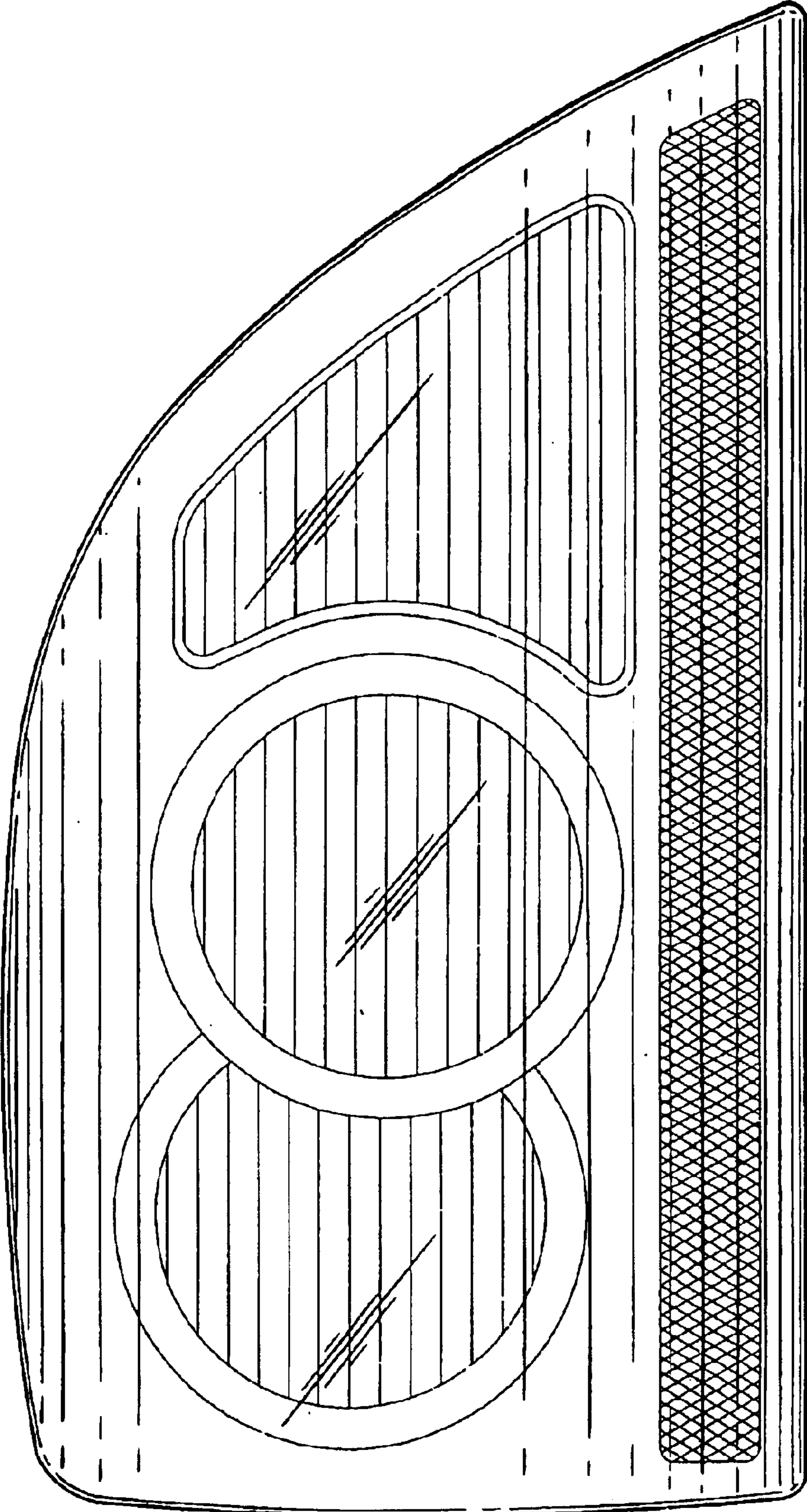


FIG.2

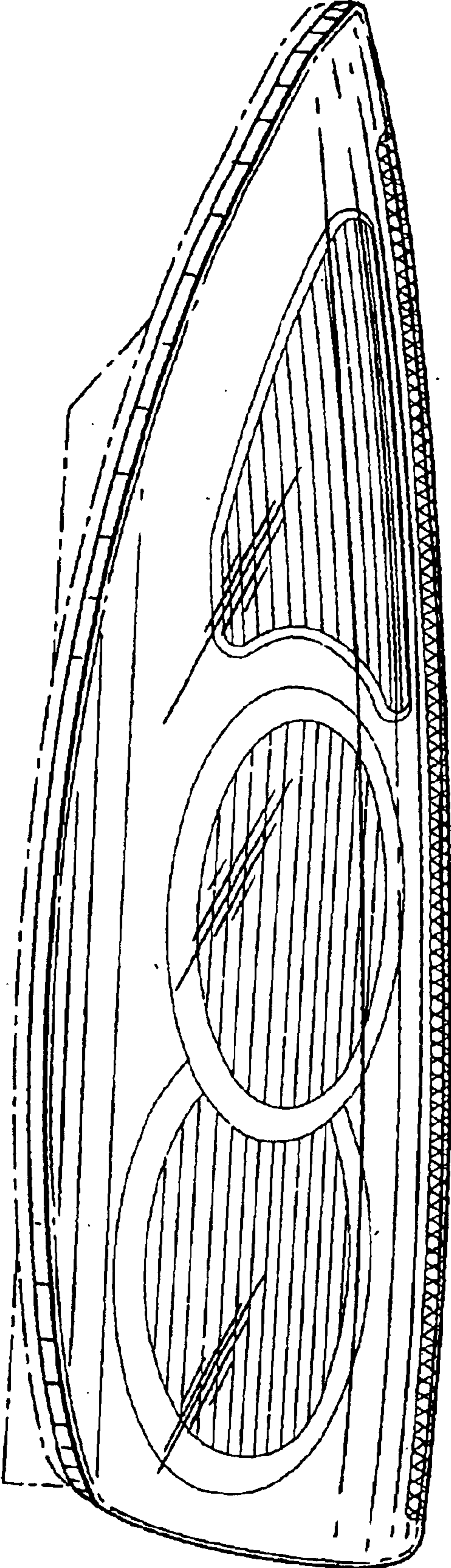


FIG.3

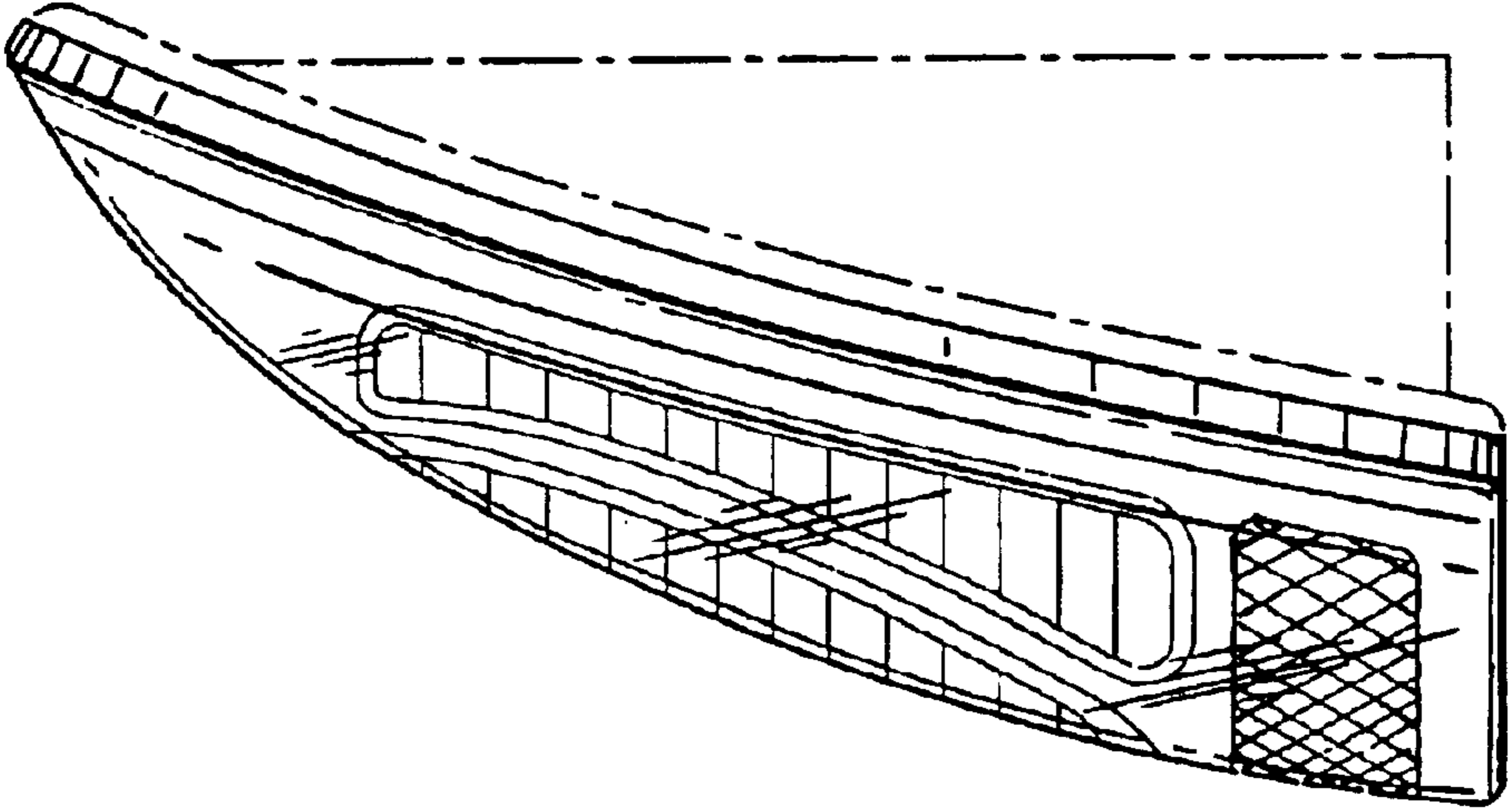


FIG. 5

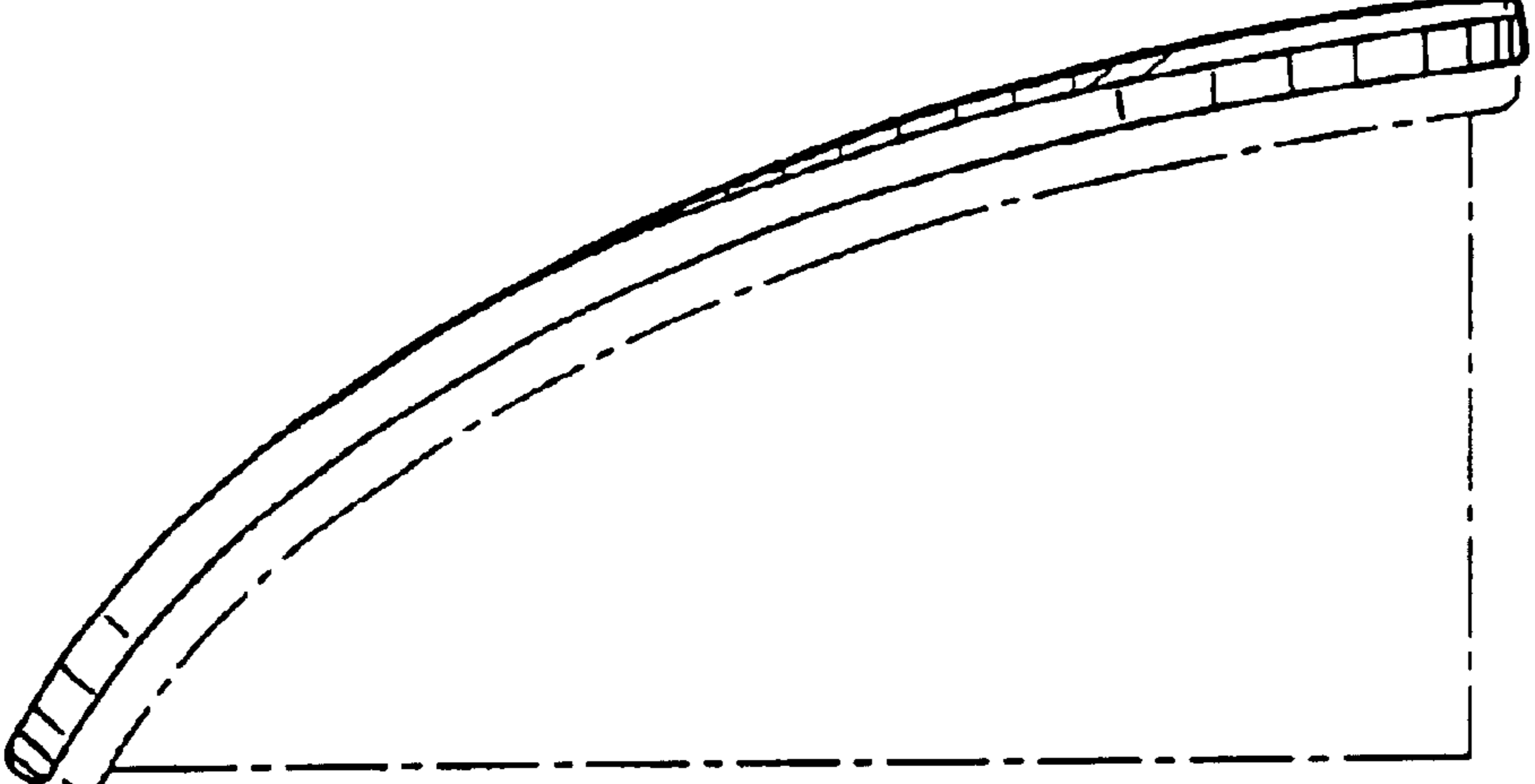


FIG. 4

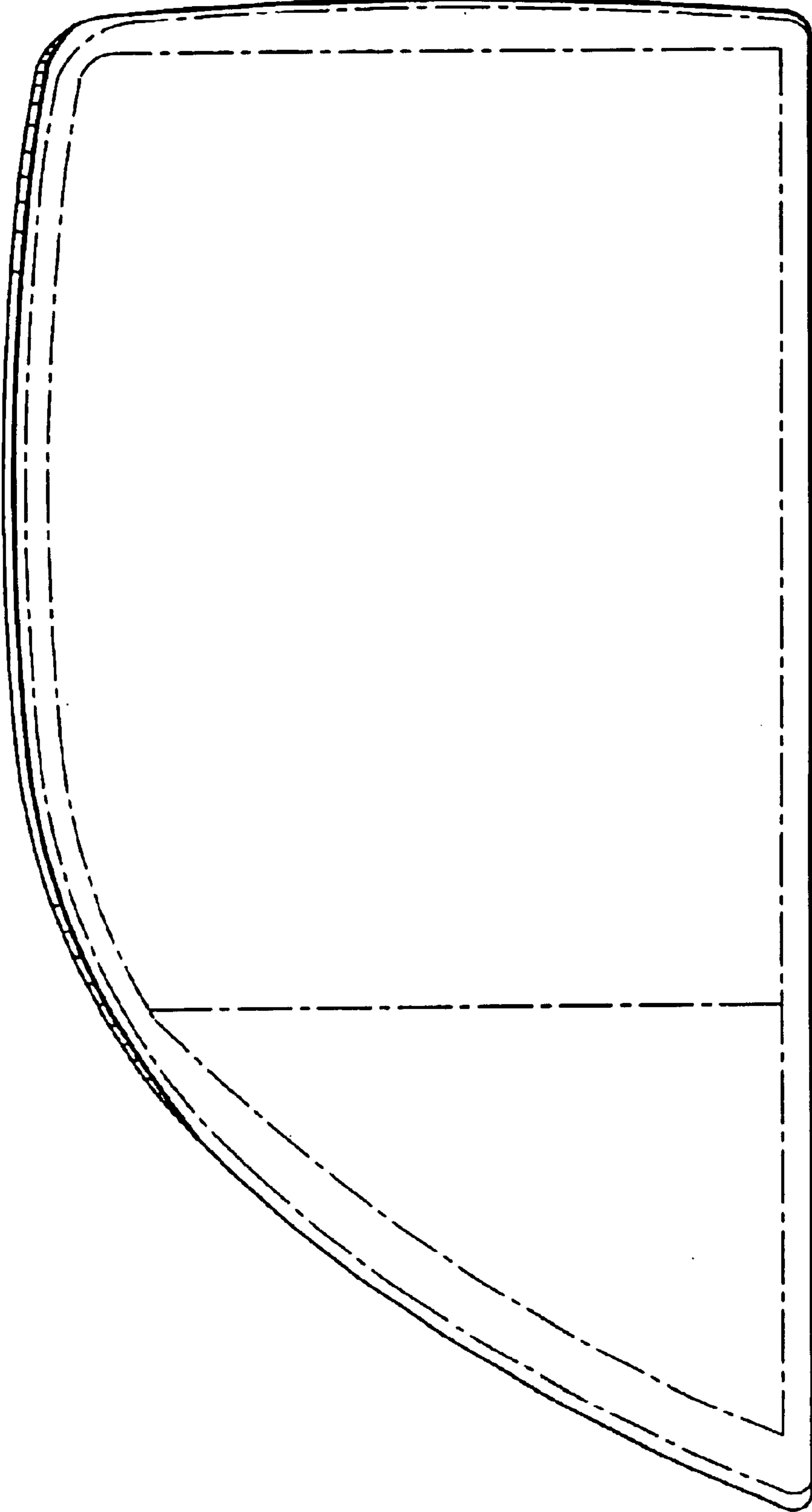


FIG. 6

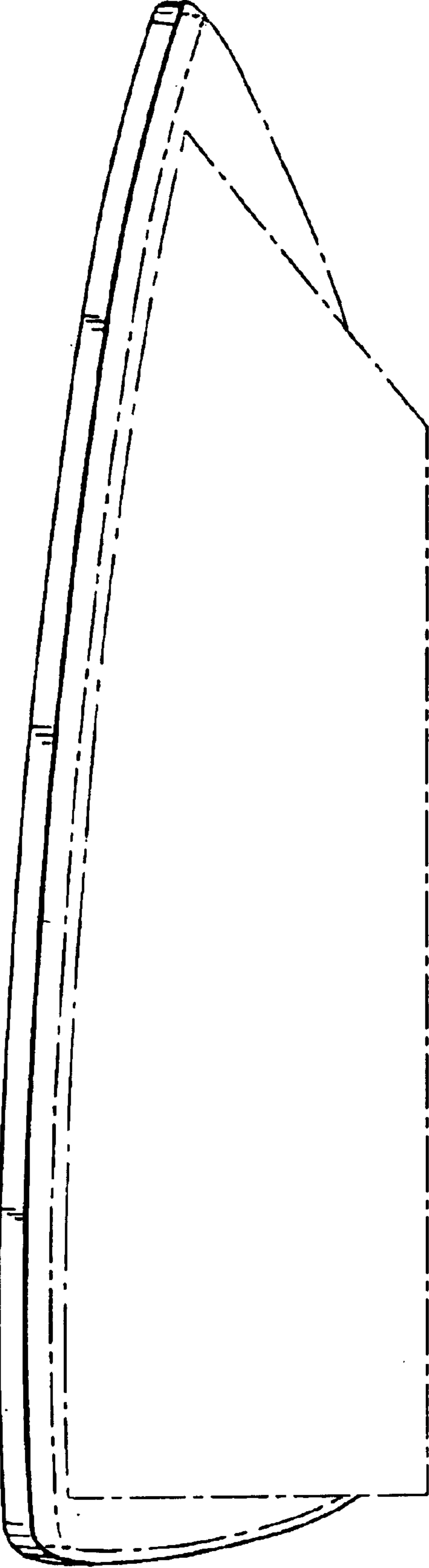


FIG. 7