

US00D492040S1

(12) **United States Design Patent**
Kozak

(10) **Patent No.:** **US D492,040 S**
(45) **Date of Patent:** **** Jun. 22, 2004**

(54) **SUPPLEMENTAL AWNING RESTRAINT**

DESCRIPTION

(76) **Inventor:** **Edward J. Kozak**, 21242 Wardell Ave.,
Port Charlotte, FL (US) 33952-2537

FIG. 1 is a side view of the supplemental awning restraint in the closed position;

(**) **Term:** **14 Years**

FIG. 2 is a side view of the supplemental awning restraint in the unlocked position;

(21) **Appl. No.:** **29/174,981**

FIG. 3 is a perspective view of the supplemental awning restraint;

(22) **Filed:** **Jan. 29, 2003**

(51) **LOC (7) Cl.** **25-02**

FIG. 4 is a front view of the receiver portion of the supplemental awning restraint;

(52) **U.S. Cl.** **D25/57; D25/199**

(58) **Field of Search** 160/22-23.1, 26,
160/37-39, 45-48; D25/199, 57

FIG. 5 is a front view of the locking portion of the supplemental awning restraint;

(56) **References Cited**

FIG. 6 is a top view of the supplemental awning restraint, the bottom view being substantially identical;

U.S. PATENT DOCUMENTS

D299,545 S * 1/1989 Gandy D25/57
6,142,209 A * 11/2000 Girard 160/22

FIG. 7 is a side view of the supplemental awning restraint, the other side being substantially identical; and,

* cited by examiner

FIG. 8 is a rear view of the receiver portion of the supplemental awning restraint.

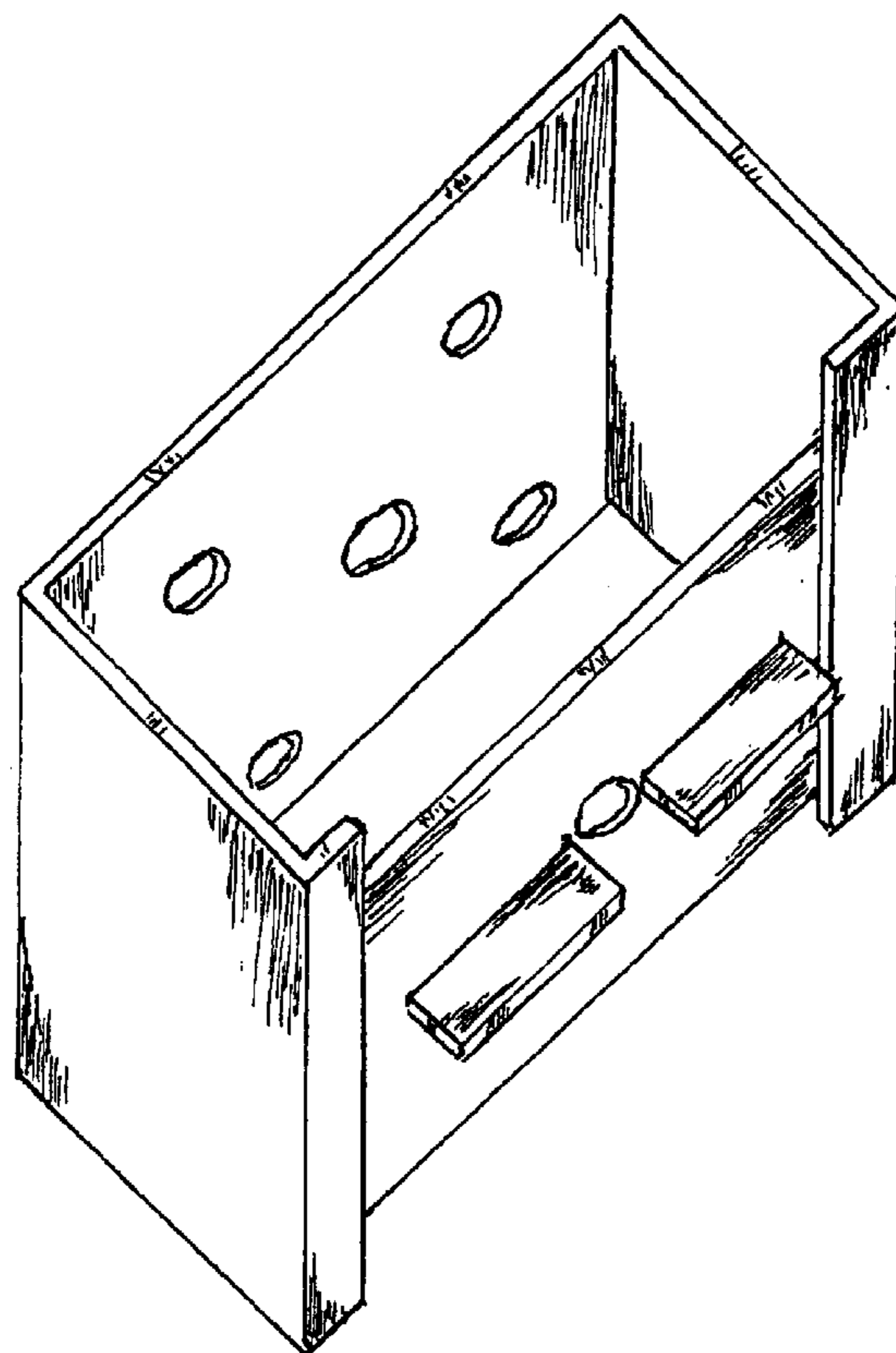
Primary Examiner—Doris Clark

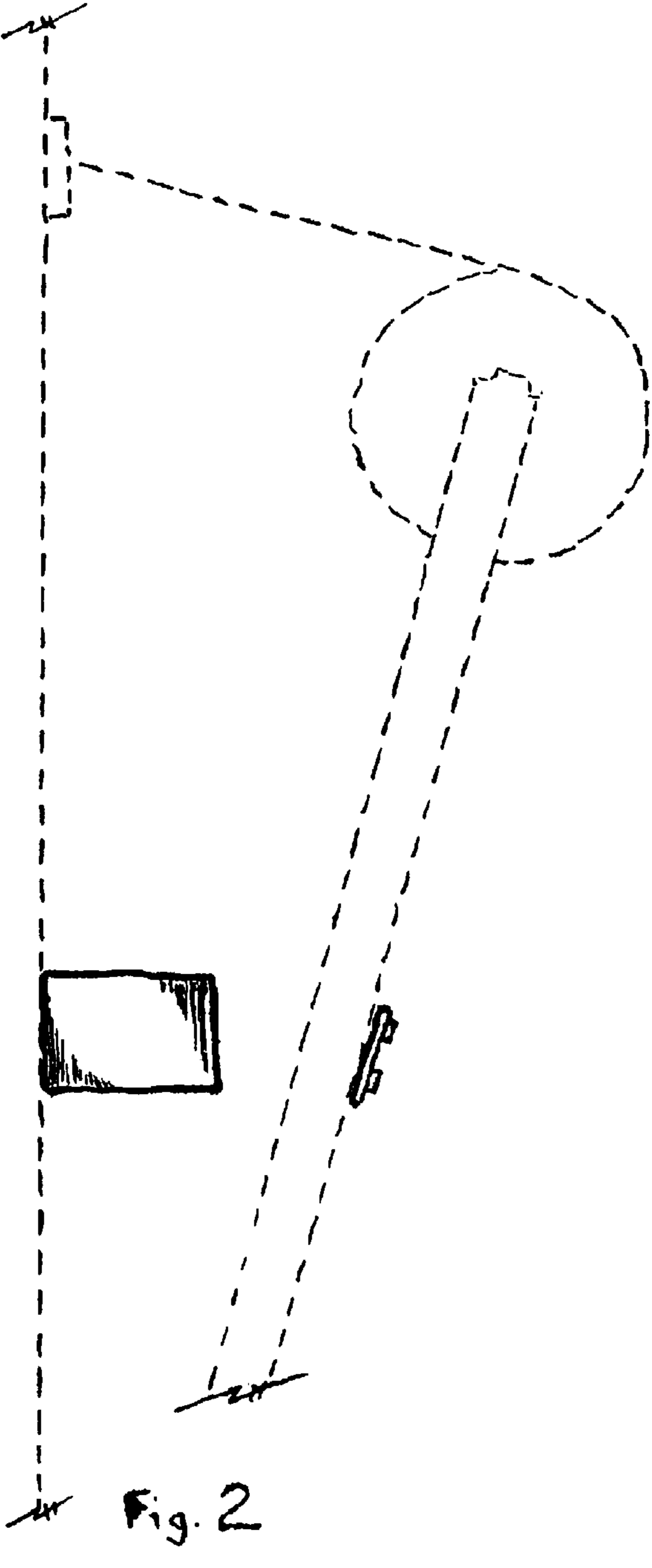
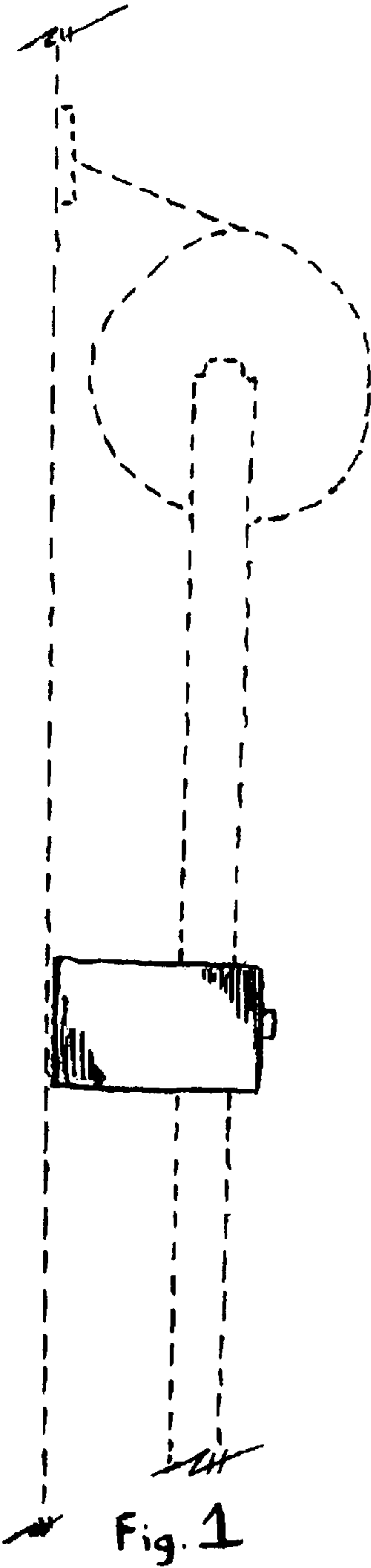
The broken lines are shown for illustrative purpose only and form no part of the claim design.

(57) **CLAIM**

I claim the ornamental design for the supplemental awning restraint, as shown and described.

1 Claim, 6 Drawing Sheets





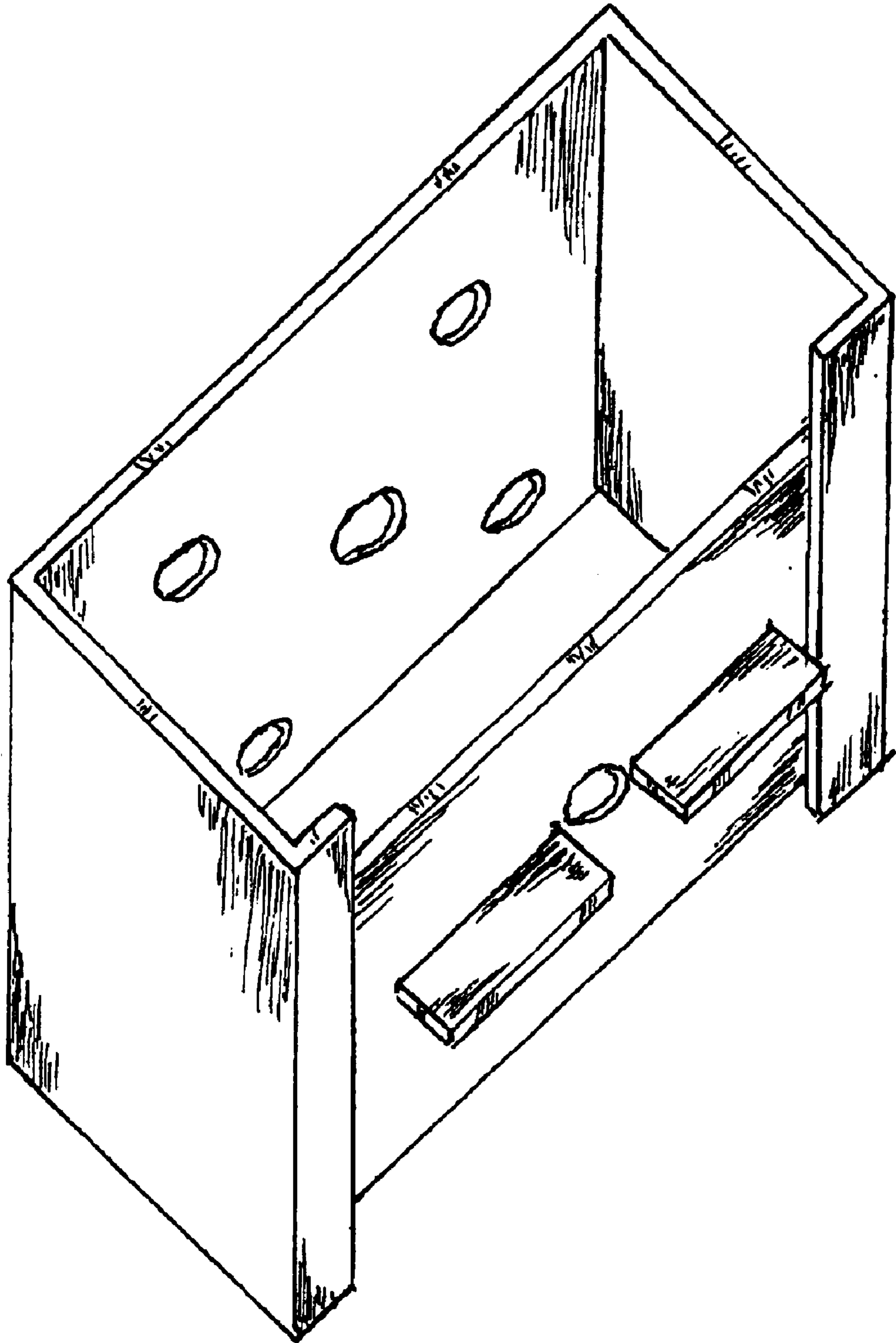


Fig. 3

10

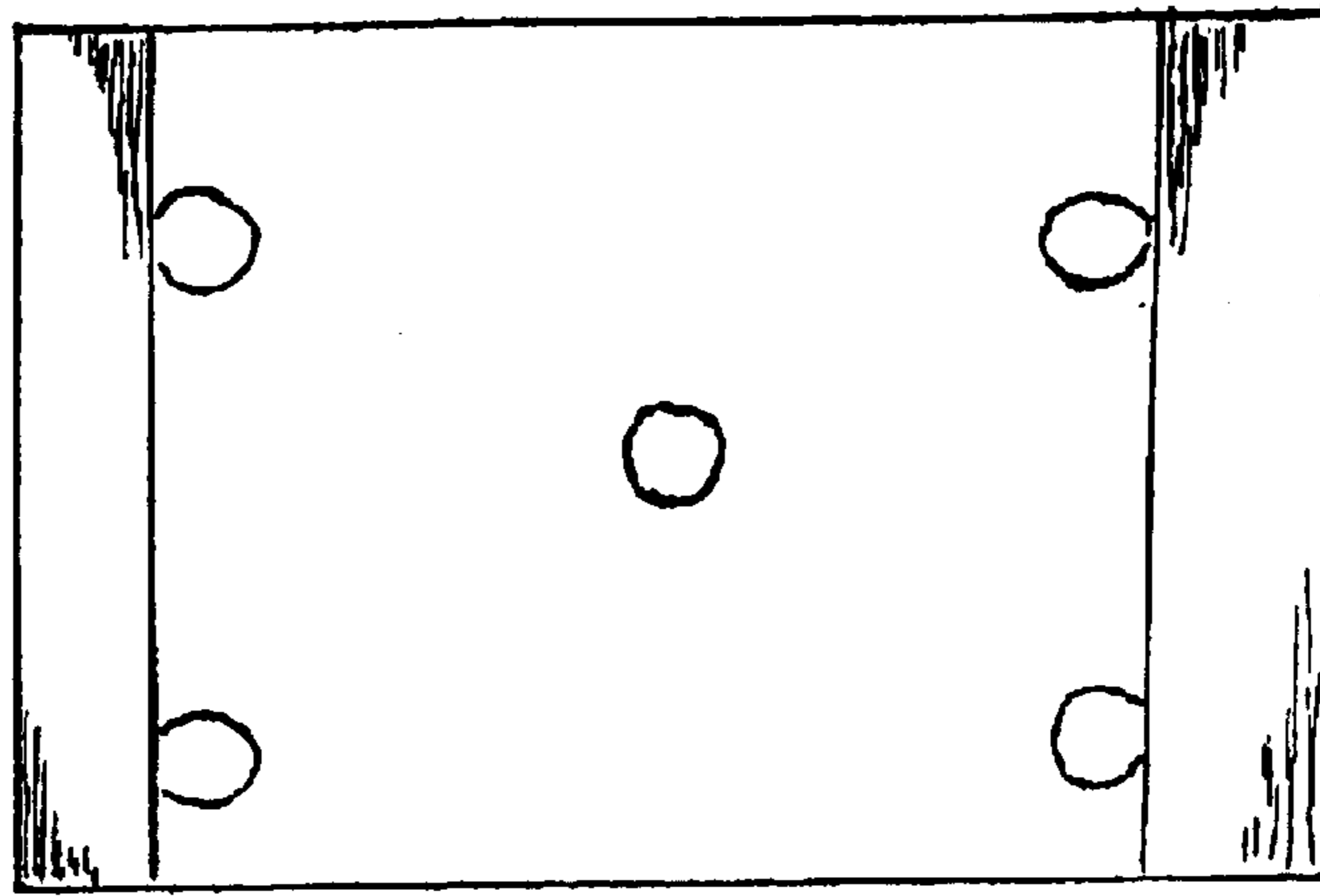


Fig. 4

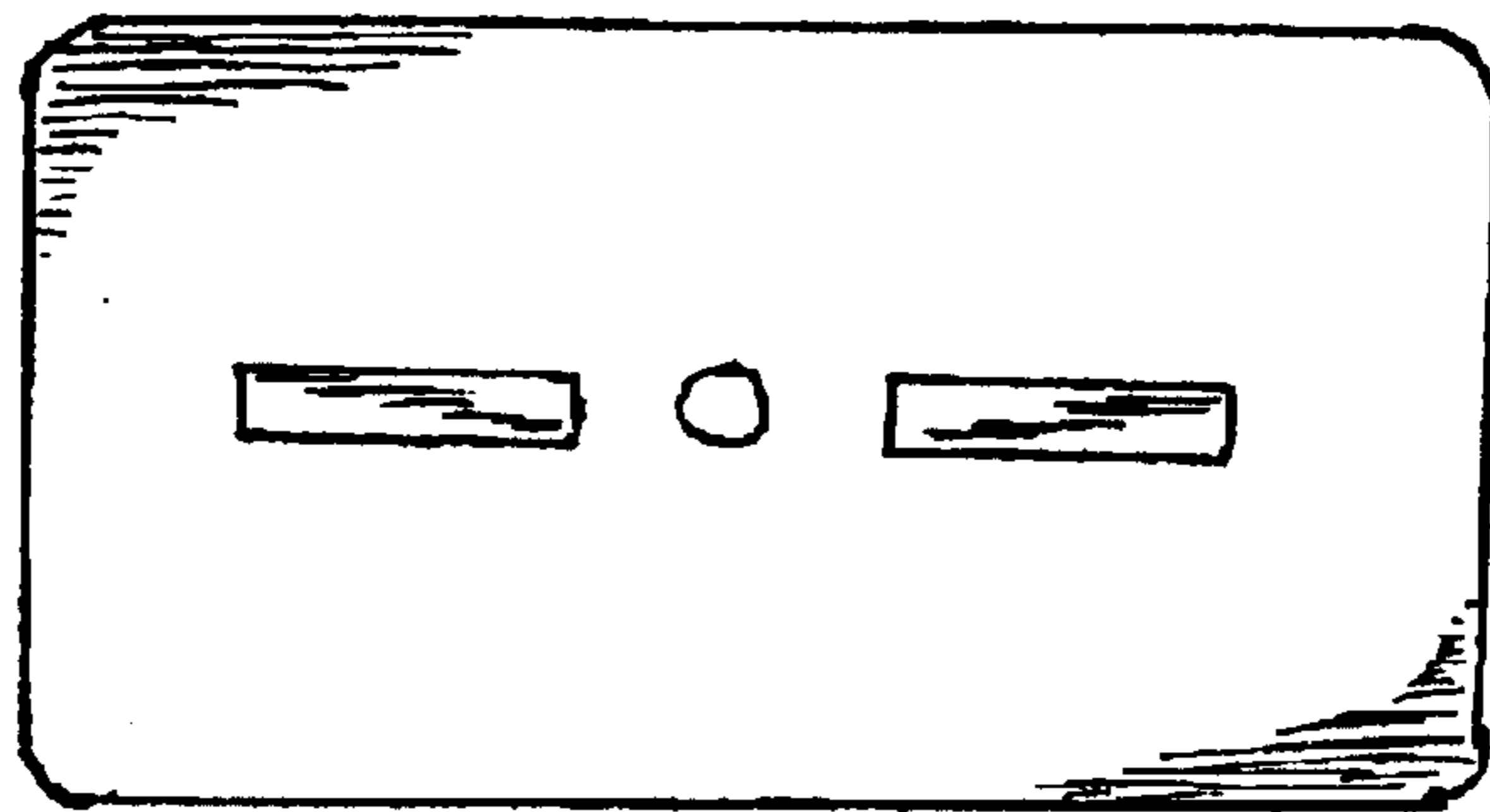


Fig. 5

11

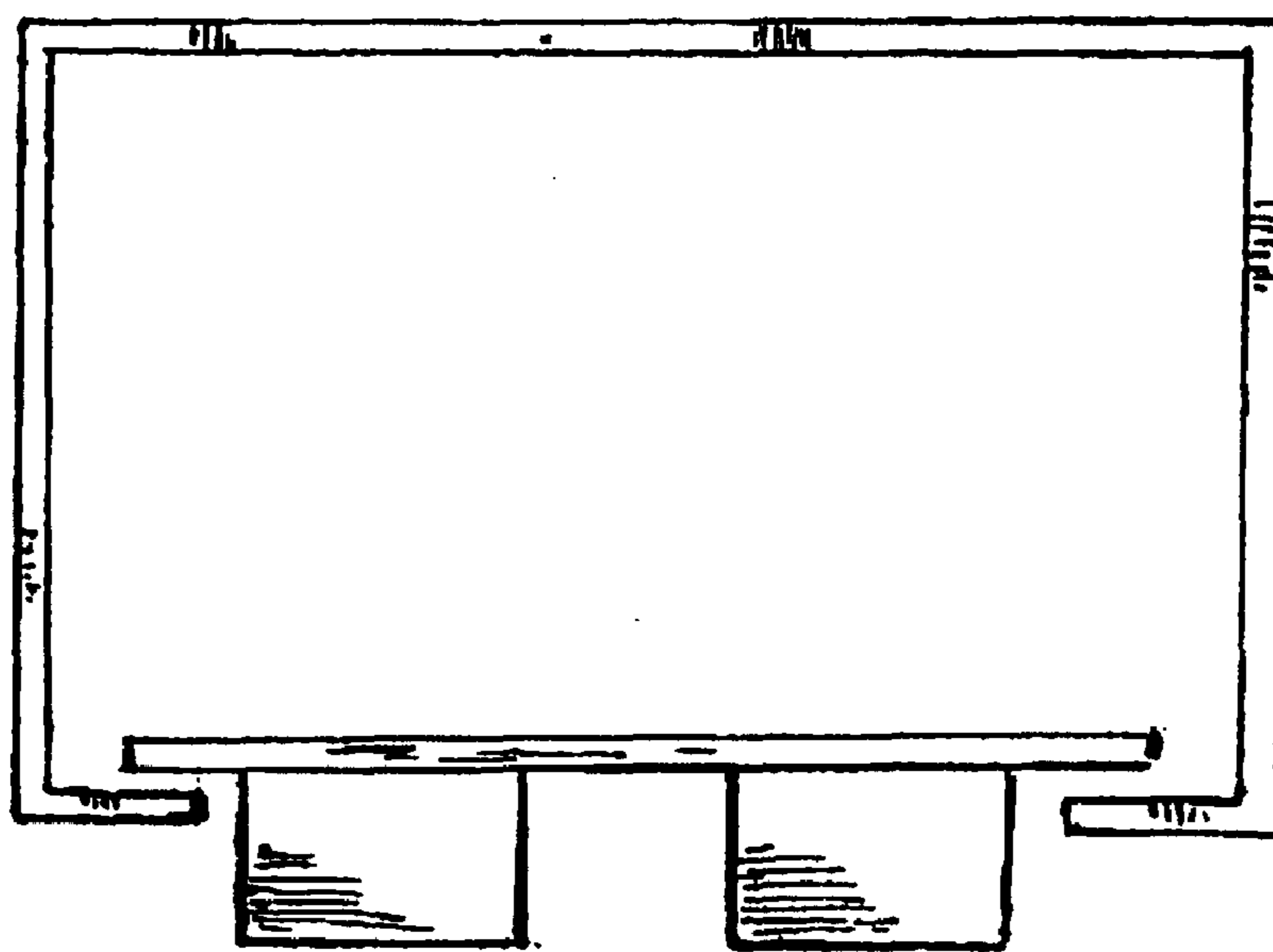


Fig. 6

12

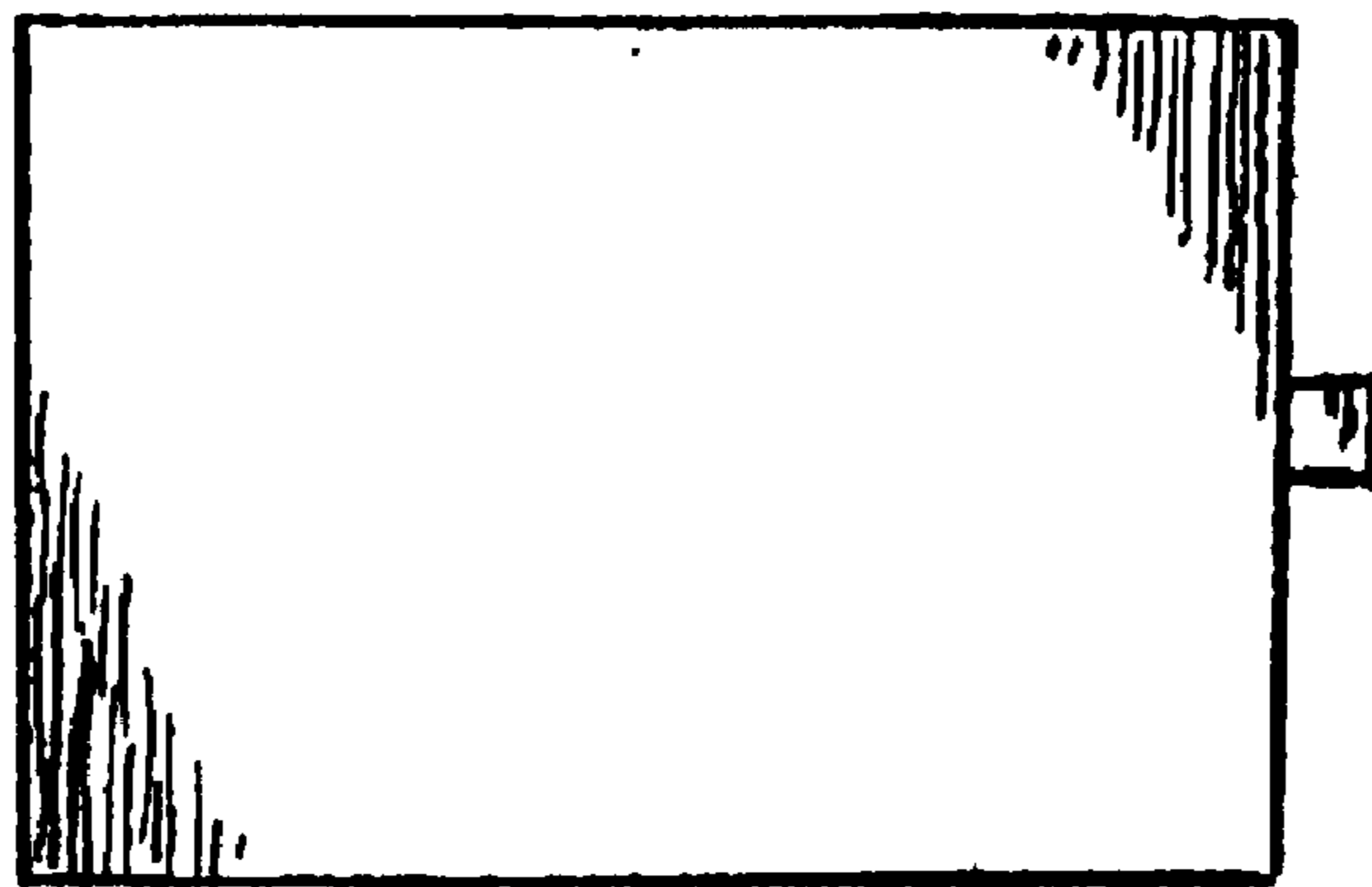


Fig. 7

13

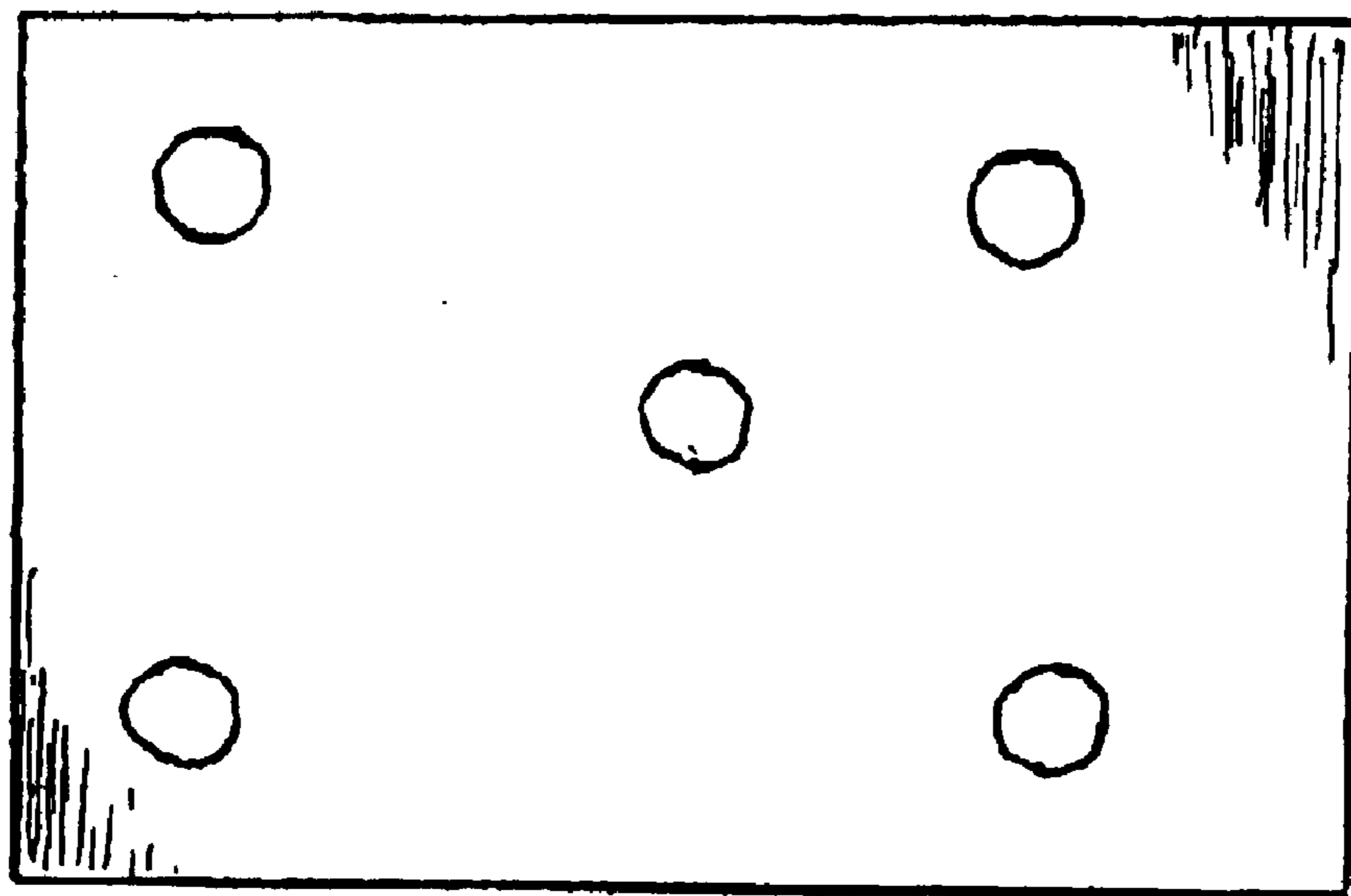


Fig. 8