

US00D492038S1

(12) **United States Design Patent**
Brown

(10) **Patent No.:** **US D492,038 S**
(45) **Date of Patent:** **** Jun. 22, 2004**

(54) **HEDGE HOG FOR FORCE PROTECTION**

Primary Examiner—Nelson C. Holtje

(76) **Inventor:** **James C. Brown**, 2121 Skyhawk Dr.,
Fort Wayne, IN (US) 46815

(57) **CLAIM**

The ornamental design of hedge hog for force protection

(**) **Term:** **14 Years**

DESCRIPTION

(21) **Appl. No.:** **29/168,863**

FIG. 1 is a front perspective view of a hedge hog for force protection showing my new design;

(22) **Filed:** **Oct. 10, 2002**

FIG. 2 is a rear perspective view thereof;

(51) **LOC (7) Cl.** **25-02**

FIG. 3 is a top plan view of a first component of the design of FIG. 1, the second and third components having been omitted for ease of illustration;

(52) **U.S. Cl.** **D25/38**

FIG. 4 is a right side elevational view of FIG. 3;

(58) **Field of Search** D25/38; D10/109,
D10/113, 104, 121; 403/219, 186; 256/20-21,
59-60, 64-65; 89/1.11; 411/338

FIG. 5 is a bottom plan view of FIG. 3;

FIG. 6 is a perspective view of FIG. 3;

(56) **References Cited**

U.S. PATENT DOCUMENTS

FIG. 7 is a top plan view of a second component of the design of FIG. 1, the first and third components having been omitted for ease of illustration;

FIG. 8 is a right side elevational view of FIG. 7;

FIG. 9 is a bottom plan view of FIG. 7;

FIG. 10 is a perspective view of FIG. 7;

FIG. 11 is a top plan view of a second component of the design of FIG. 1, the first and second components having been omitted for ease of illustration;

FIG. 12 is a right side elevational view of FIG. 11

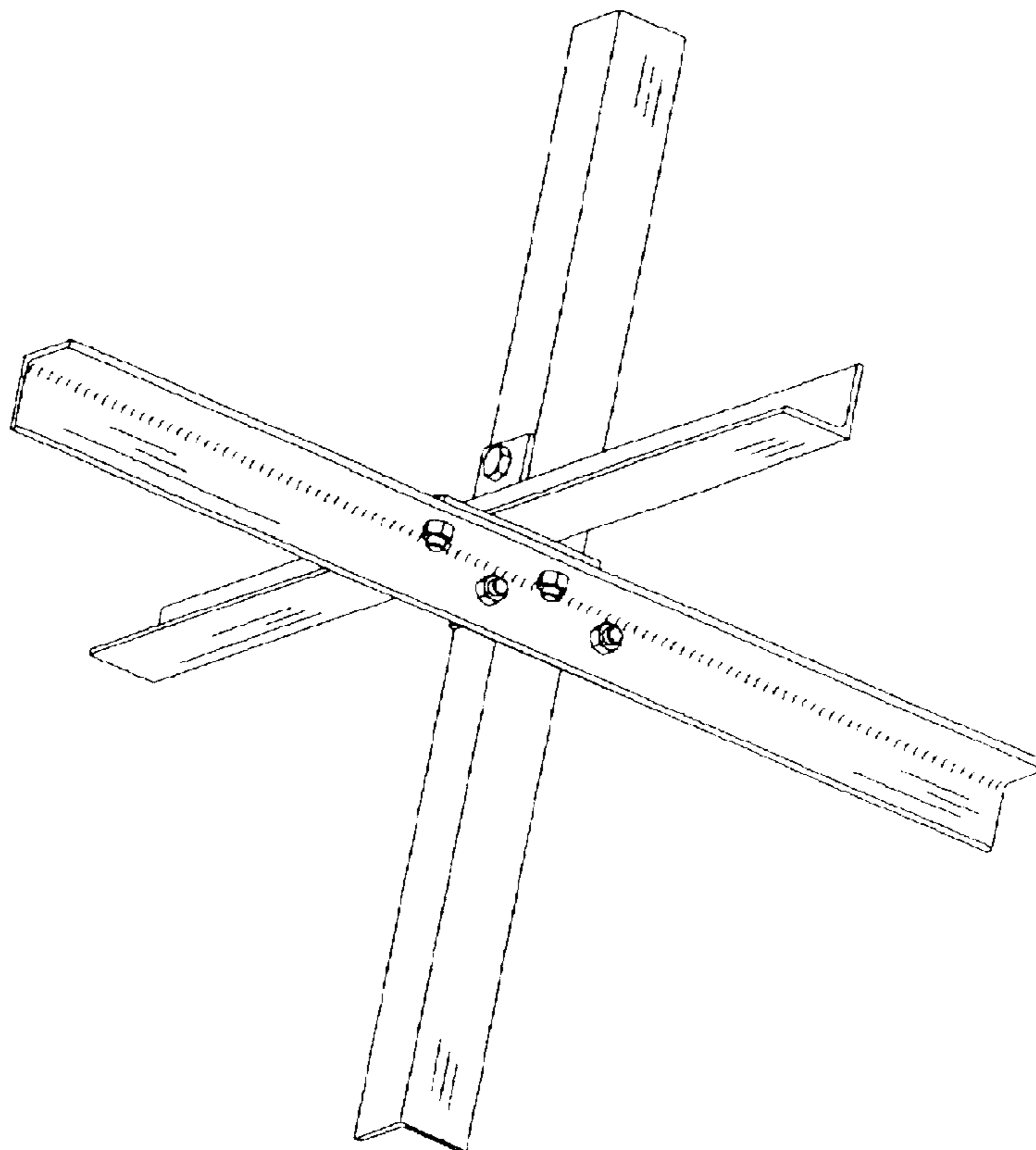
FIG. 13 is a bottom plan view of FIG. 11; and,

FIG. 14 is a perspective view of FIG. 11.

883,494 A *	3/1908	Shiramine	256/2
931,554 A *	8/1909	Andersen	403/219
1,694,753 A *	12/1928	Peppin	256/1
2,238,145 A *	4/1941	Woodley	256/1
2,313,388 A *	3/1943	McDonald	256/1
2,325,260 A *	7/1943	May	256/1
2,346,713 A *	4/1944	Walker	89/1.11
3,516,255 A *	6/1970	Akamatsu	256/1
3,753,553 A *	8/1973	Bockting	256/1
6,132,129 A *	10/2000	Frazier	403/219

* cited by examiner

1 Claim, 4 Drawing Sheets



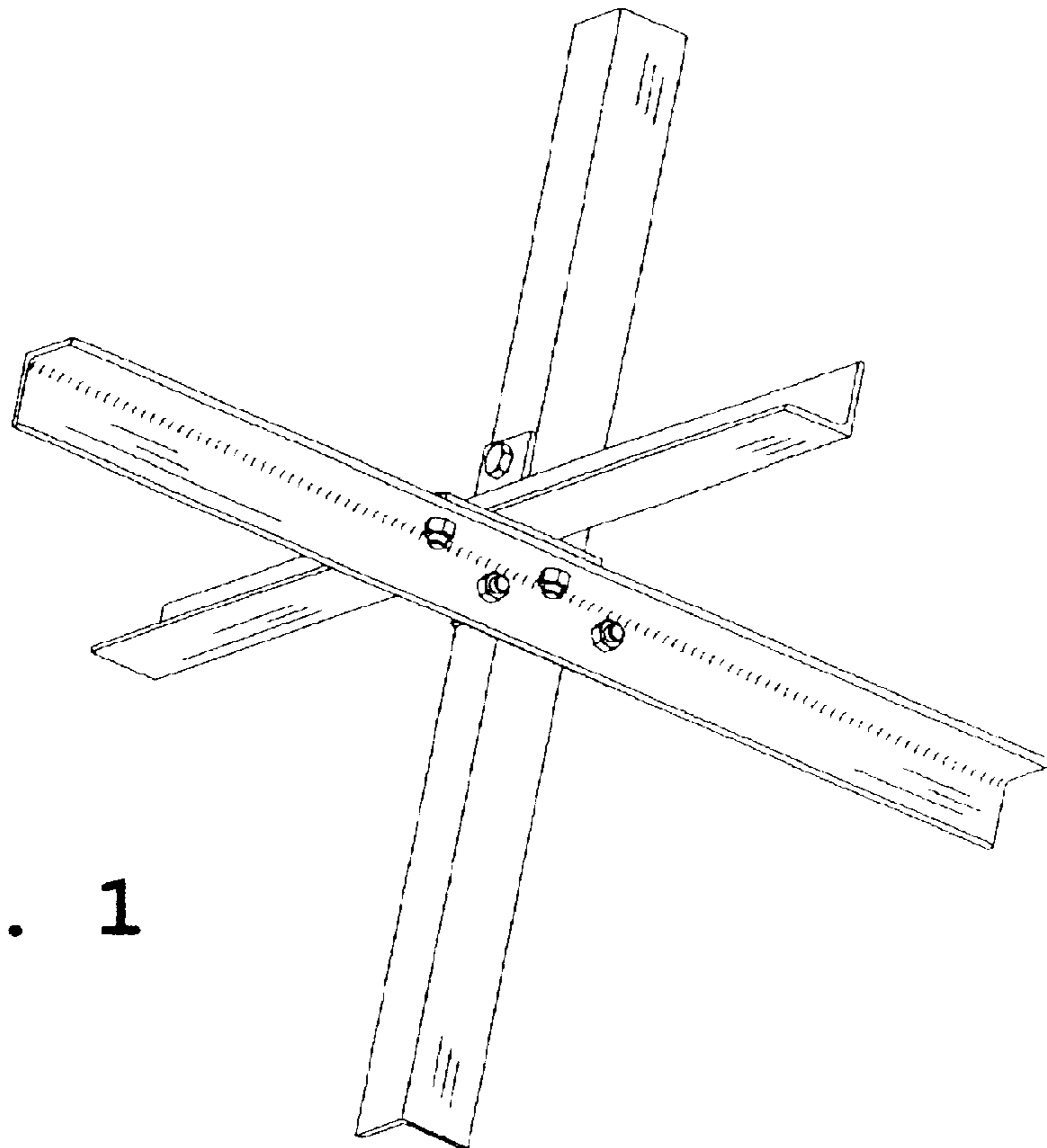


FIG. 1

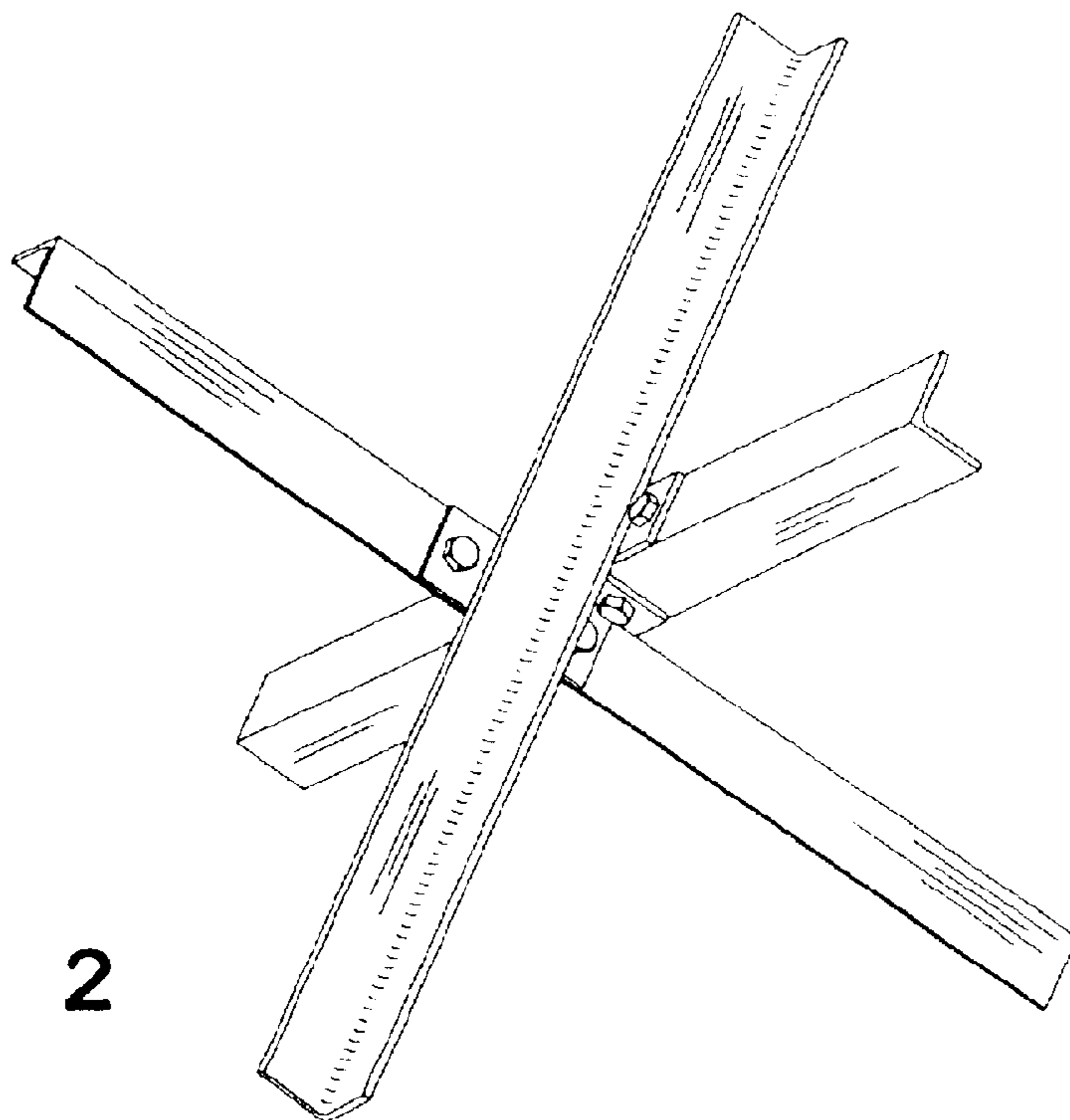


FIG. 2

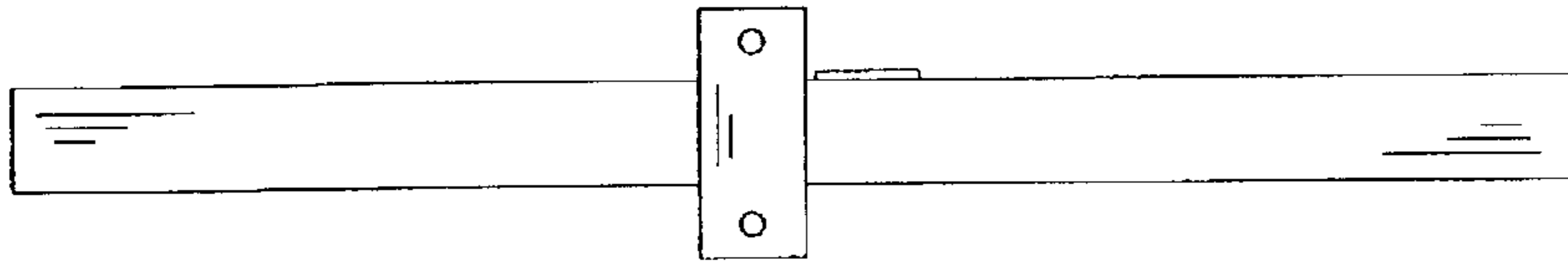


FIG. 3

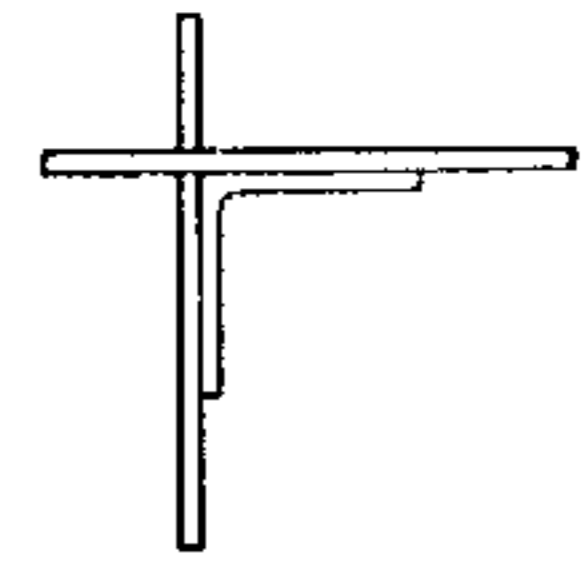


FIG. 4

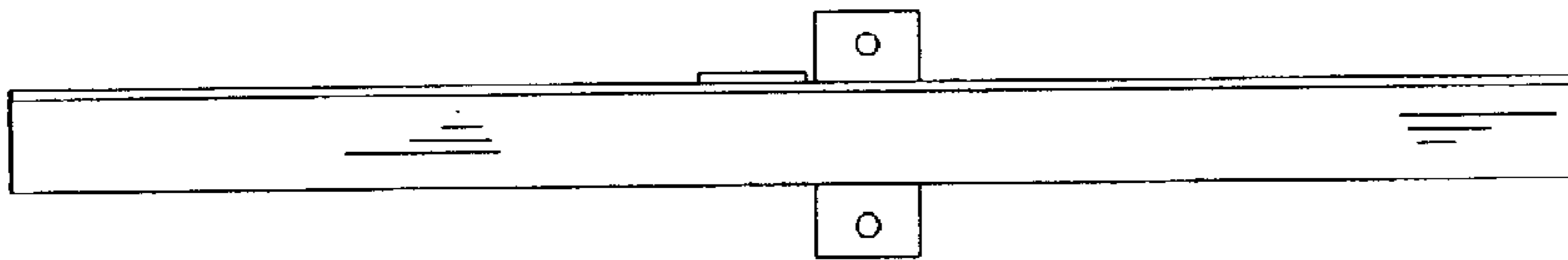


FIG. 5

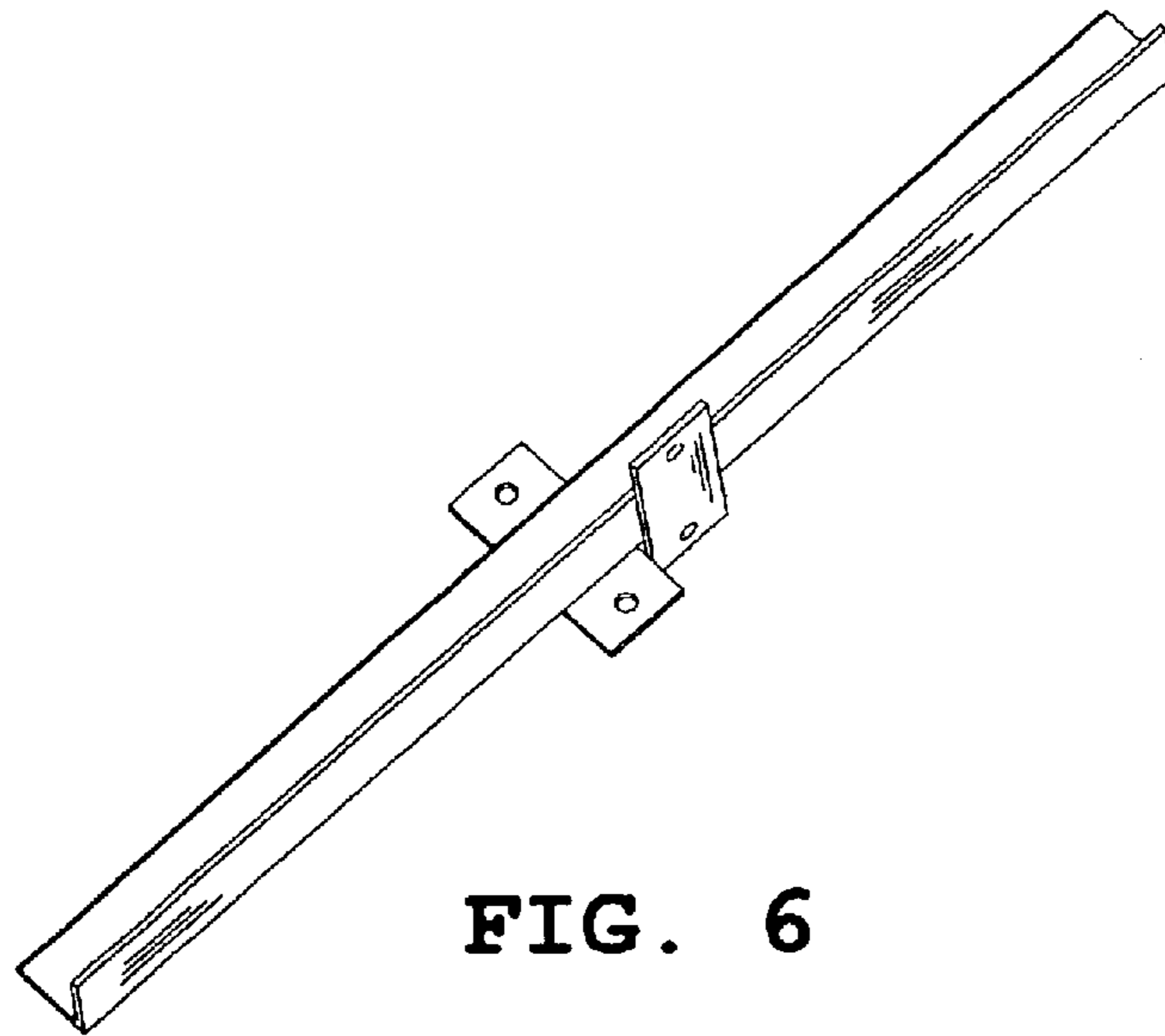


FIG. 6



FIG. 7

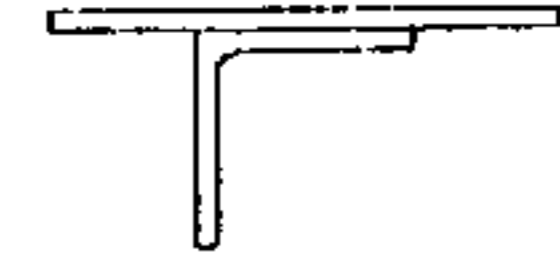


FIG. 8

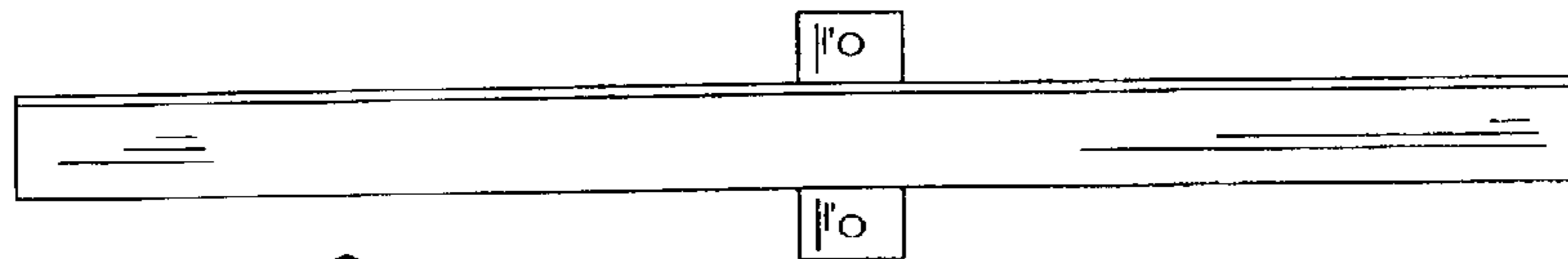


FIG. 9

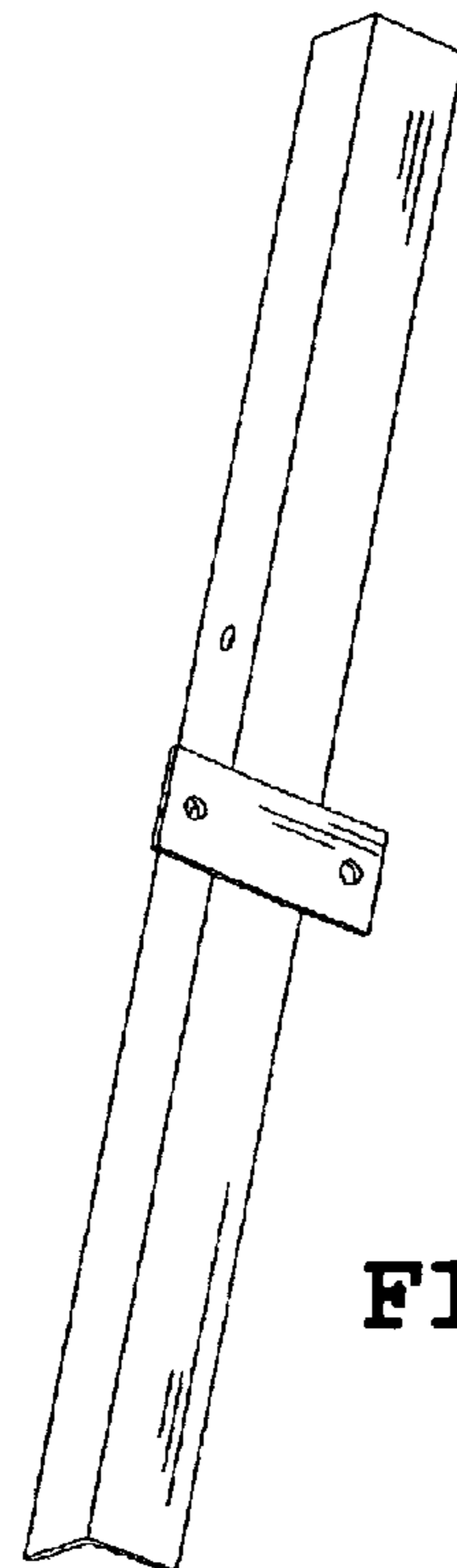


FIG. 10

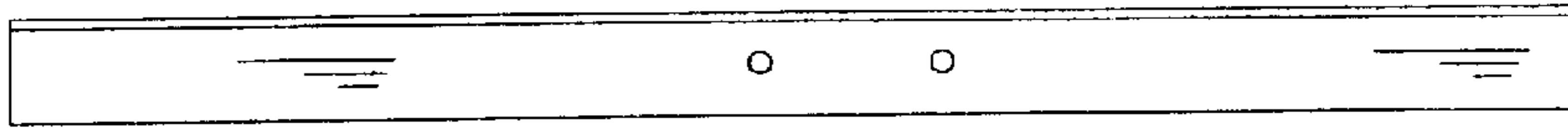


FIG. 11

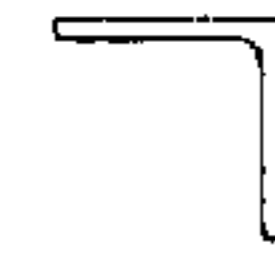


FIG. 12

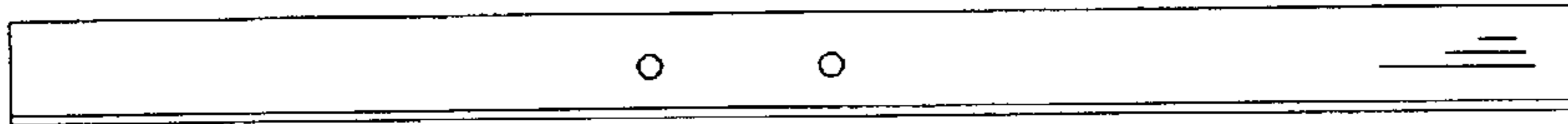


FIG. 13

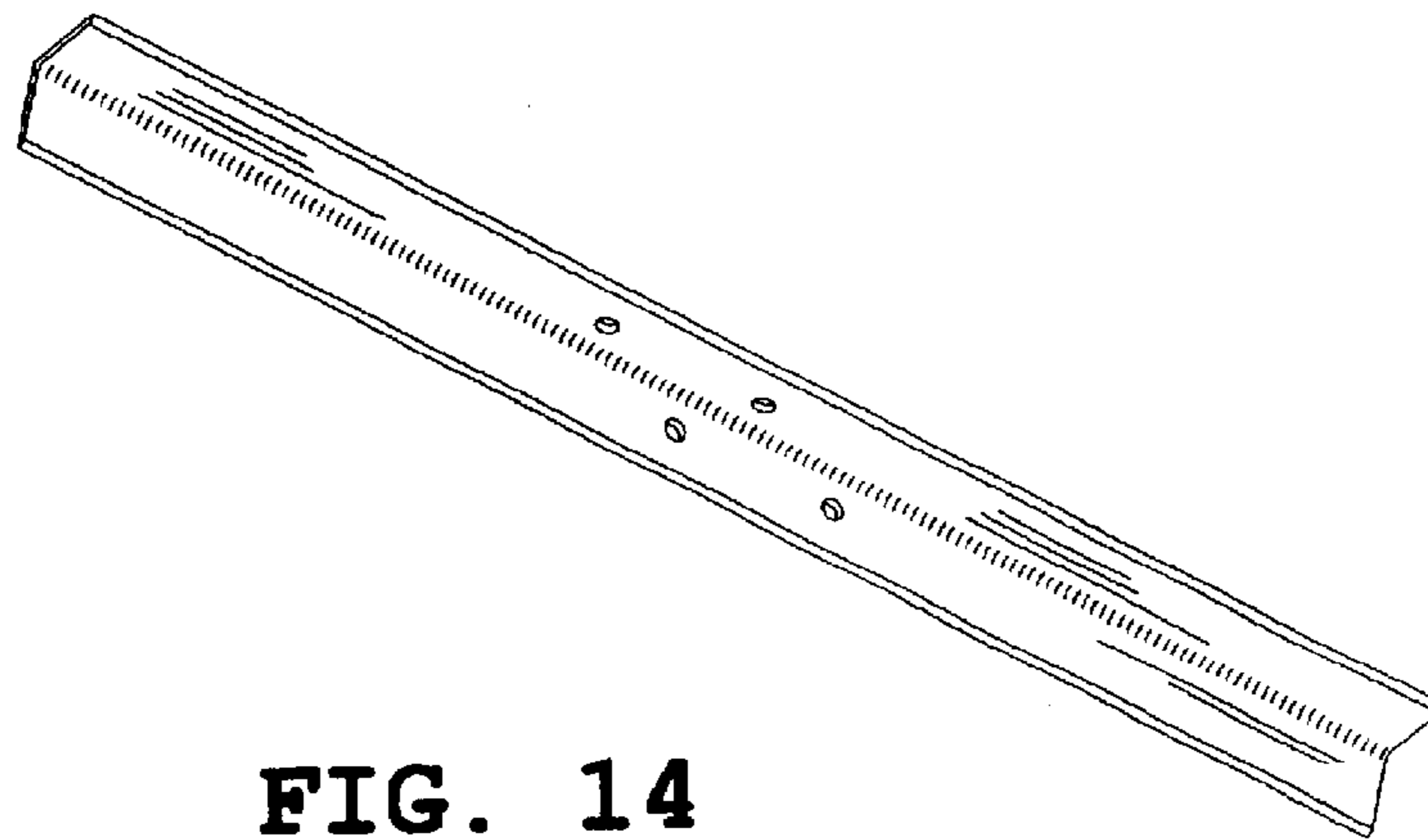


FIG. 14