

US00D492036S1

(12) **United States Design Patent**
Kang

(10) **Patent No.:** **US D492,036 S**

(45) **Date of Patent:** **** Jun. 22, 2004**

(54) **ULTRASONIC SKIN CARE DEVICE**

D346,222 S * 4/1994 Sawhney et al. D24/200
D360,036 S * 7/1995 Doria D24/200

(75) **Inventor:** **Hyun Song Kang**, Seoul (KR)

* cited by examiner

(73) **Assignee:** **Hwajin Cosmetics Co., Ltd.**, Seoul (KR)

Primary Examiner—Stella Reid
(74) *Attorney, Agent, or Firm*—Dellett & Walters

(**) **Term:** **14 Years**

(57) **CLAIM**

(21) **Appl. No.:** **29/175,898**

The ornamental design for an ultrasonic skin care device, as shown and described.

(22) **Filed:** **Feb. 11, 2003**

DESCRIPTION

(30) **Foreign Application Priority Data**

Aug. 24, 2002 (KR) 30-2002-0024104

(51) **LOC (7) Cl.** **24-04**

(52) **U.S. Cl.** **D24/200**

(58) **Field of Search** D24/200, 214,
D24/215; 601/6, 7, 9, 14; 604/310, 311,
313, 315, 316, 289; D28/61

FIG. 1 is a perspective view of an ultrasonic skin care device, showing my new design;
FIG. 2 is a front view thereof;
FIG. 3 is a rear view thereof;
FIG. 4 is a left side view thereof;
FIG. 5 is a right side view thereof;
FIG. 6 is a top view thereof;
FIG. 7 is a bottom view thereof;
FIG. 8 is a perspective view thereof, in closed condition; and,
FIG. 9 is a top view thereof, in open condition, the broken line showing of the jigs being for illustrative purposes only and forming no part of the claimed design.

(56) **References Cited**

U.S. PATENT DOCUMENTS

3,763,854 A * 10/1973 Welch 601/6
D273,328 S * 4/1984 Hastings et al. D24/214
D303,723 S * 9/1989 Takahashi D28/9

1 Claim, 5 Drawing Sheets

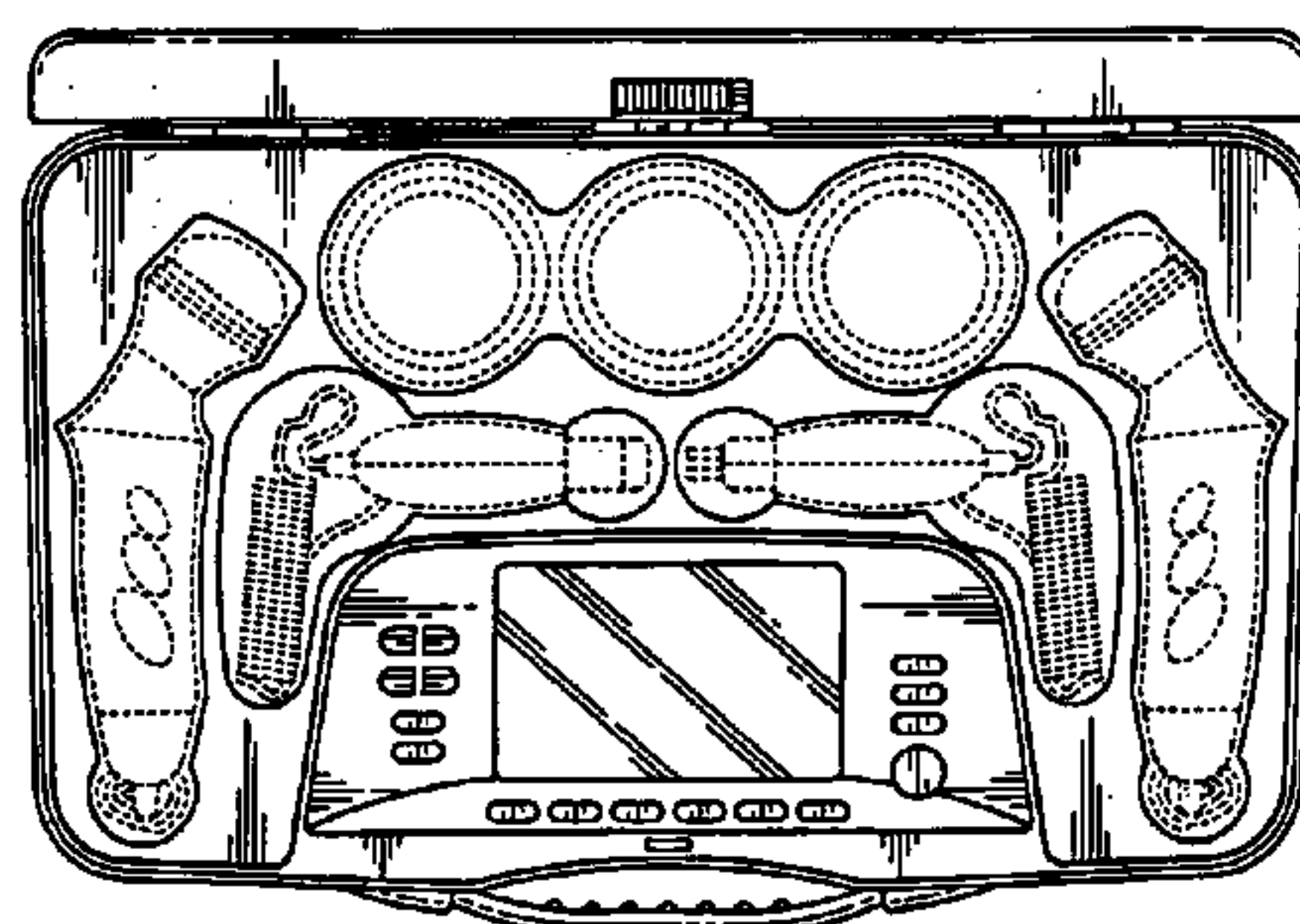
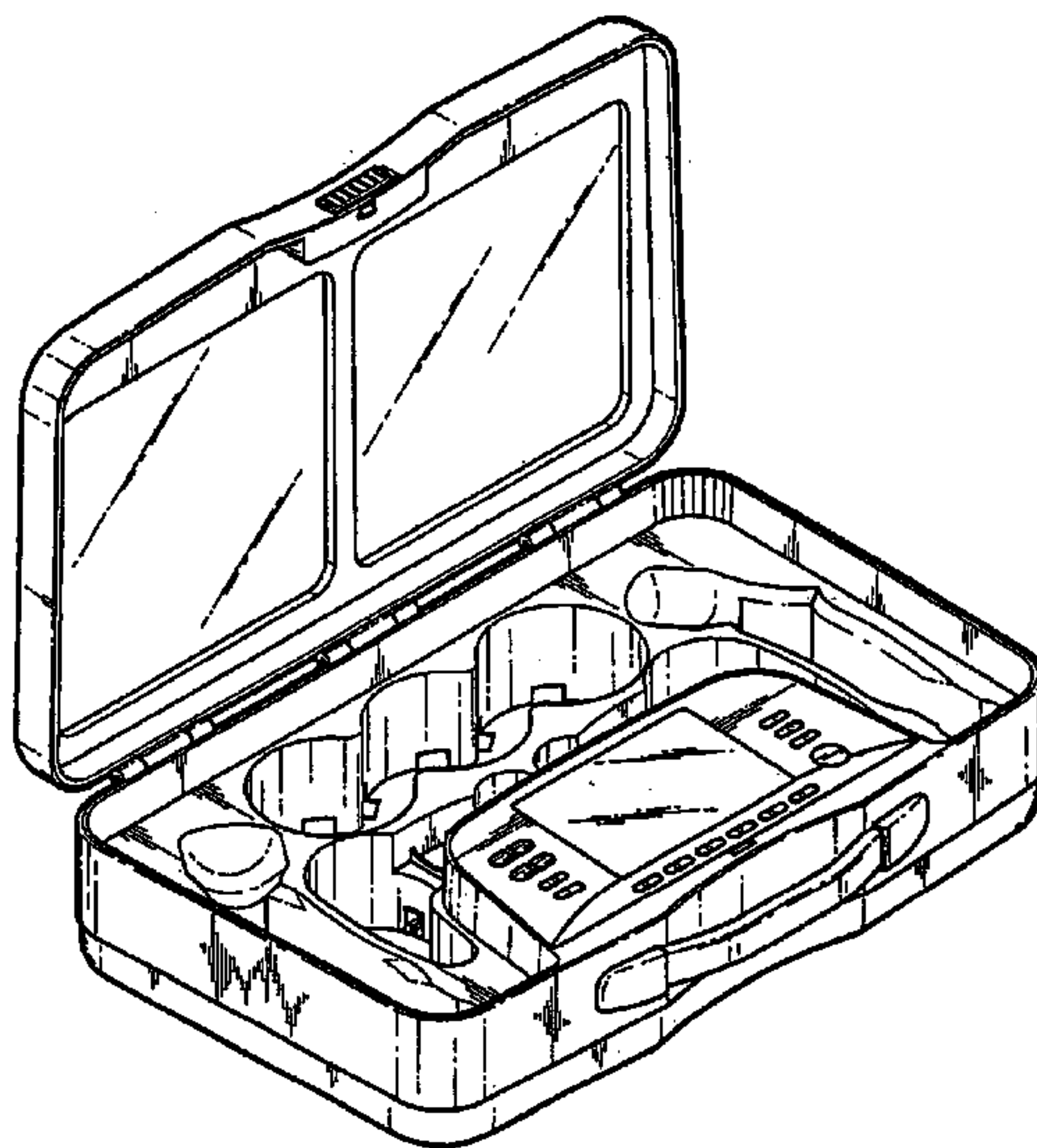


FIG. 1

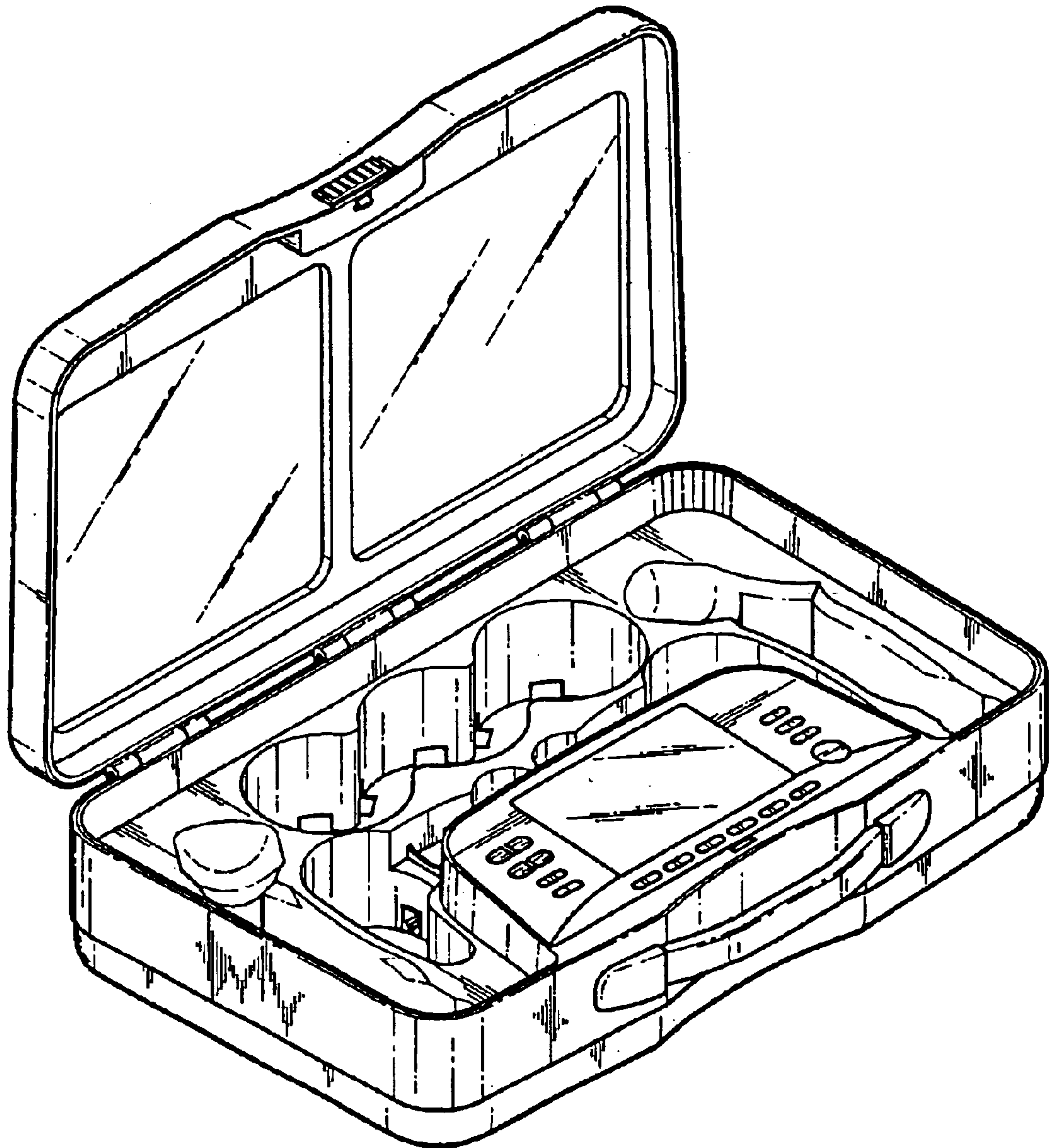


FIG. 2

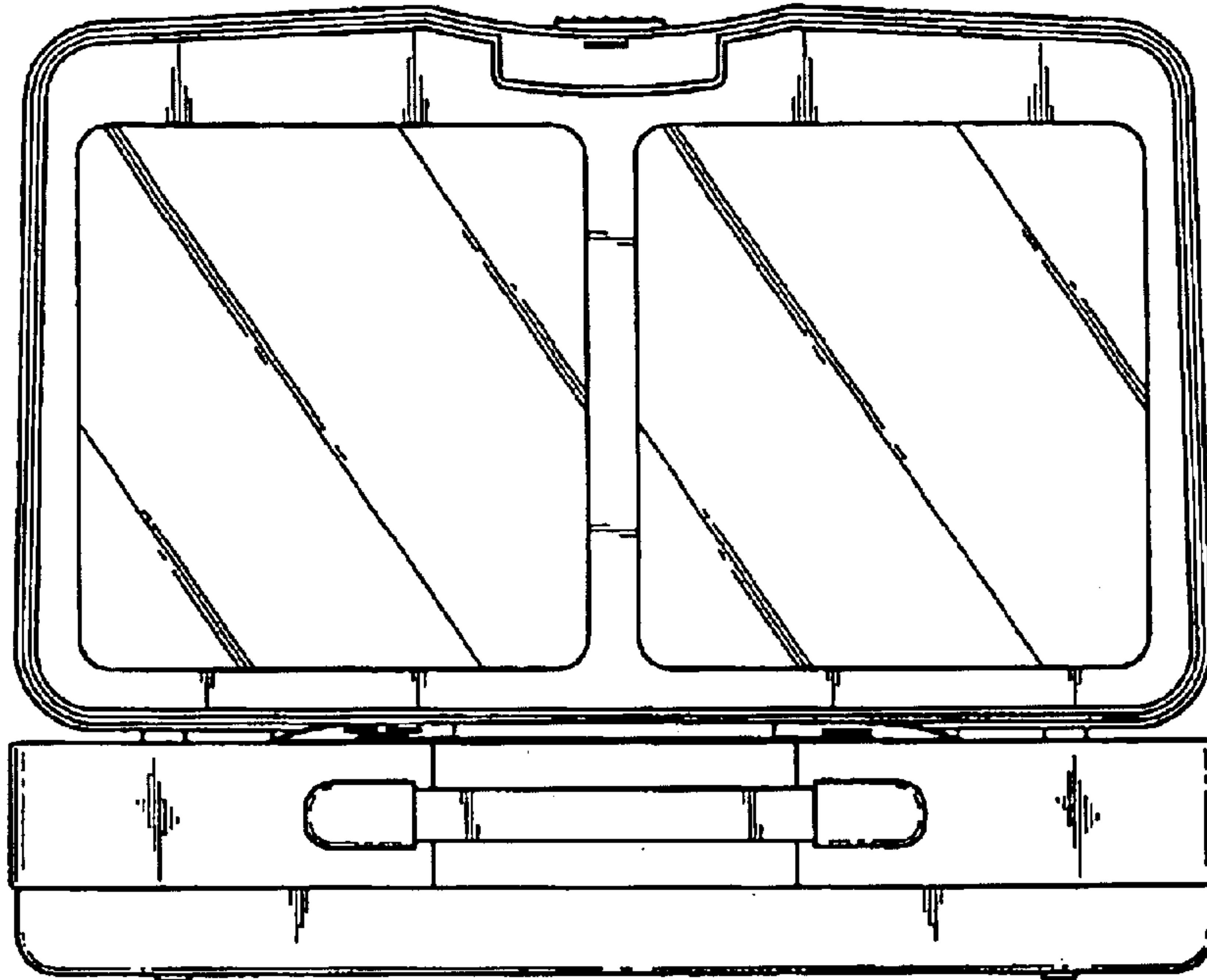


FIG. 3

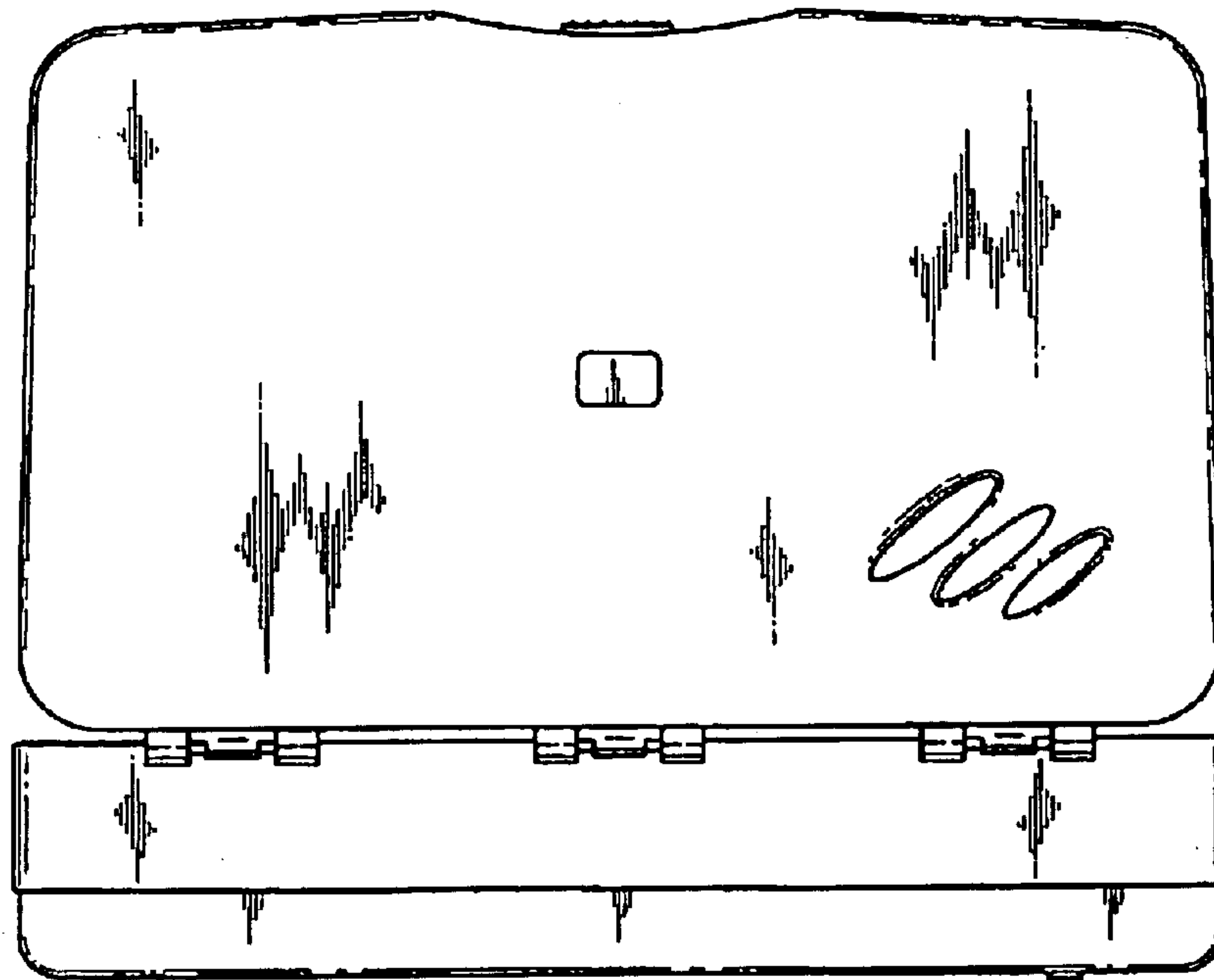


FIG. 4

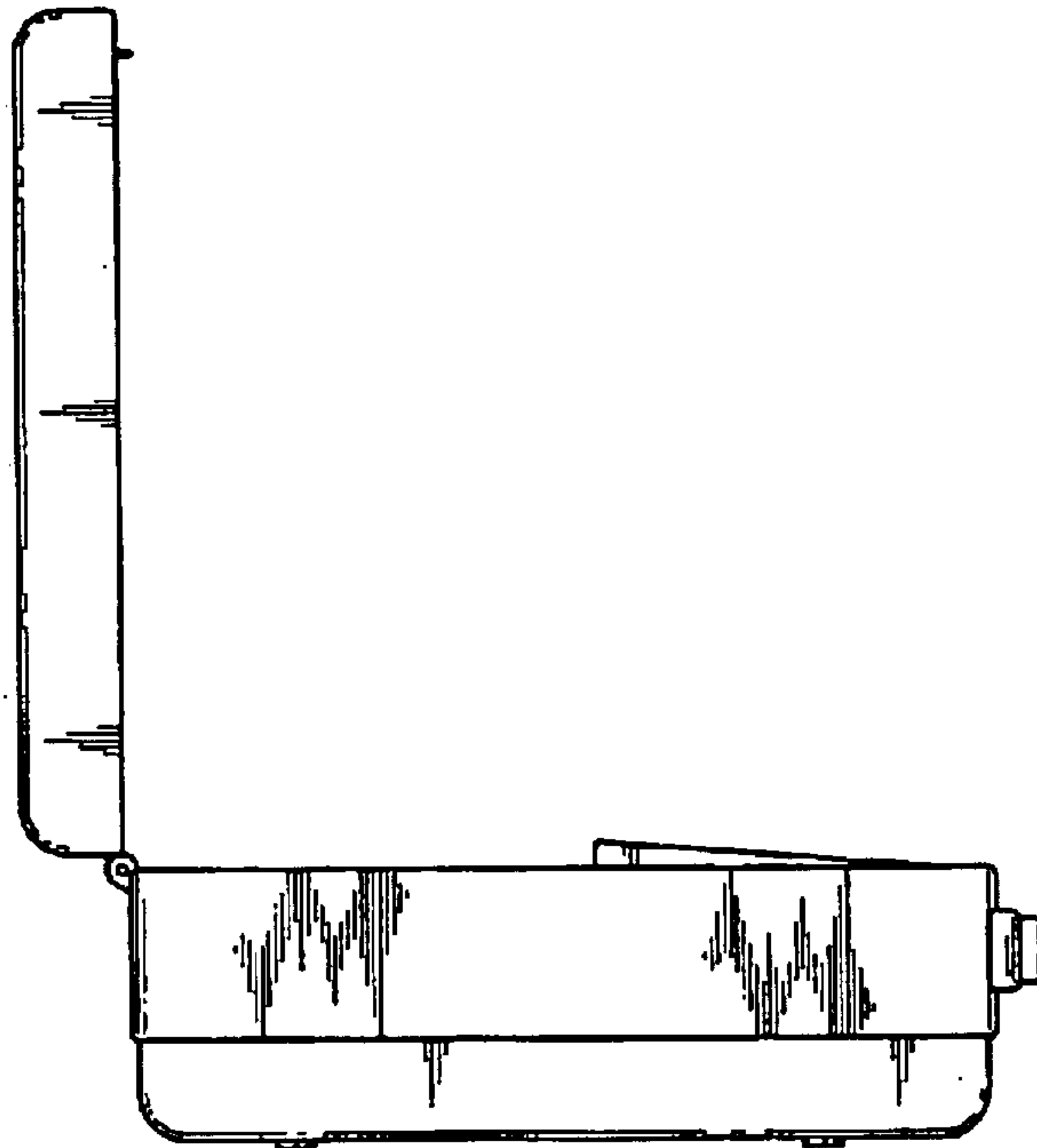


FIG. 5

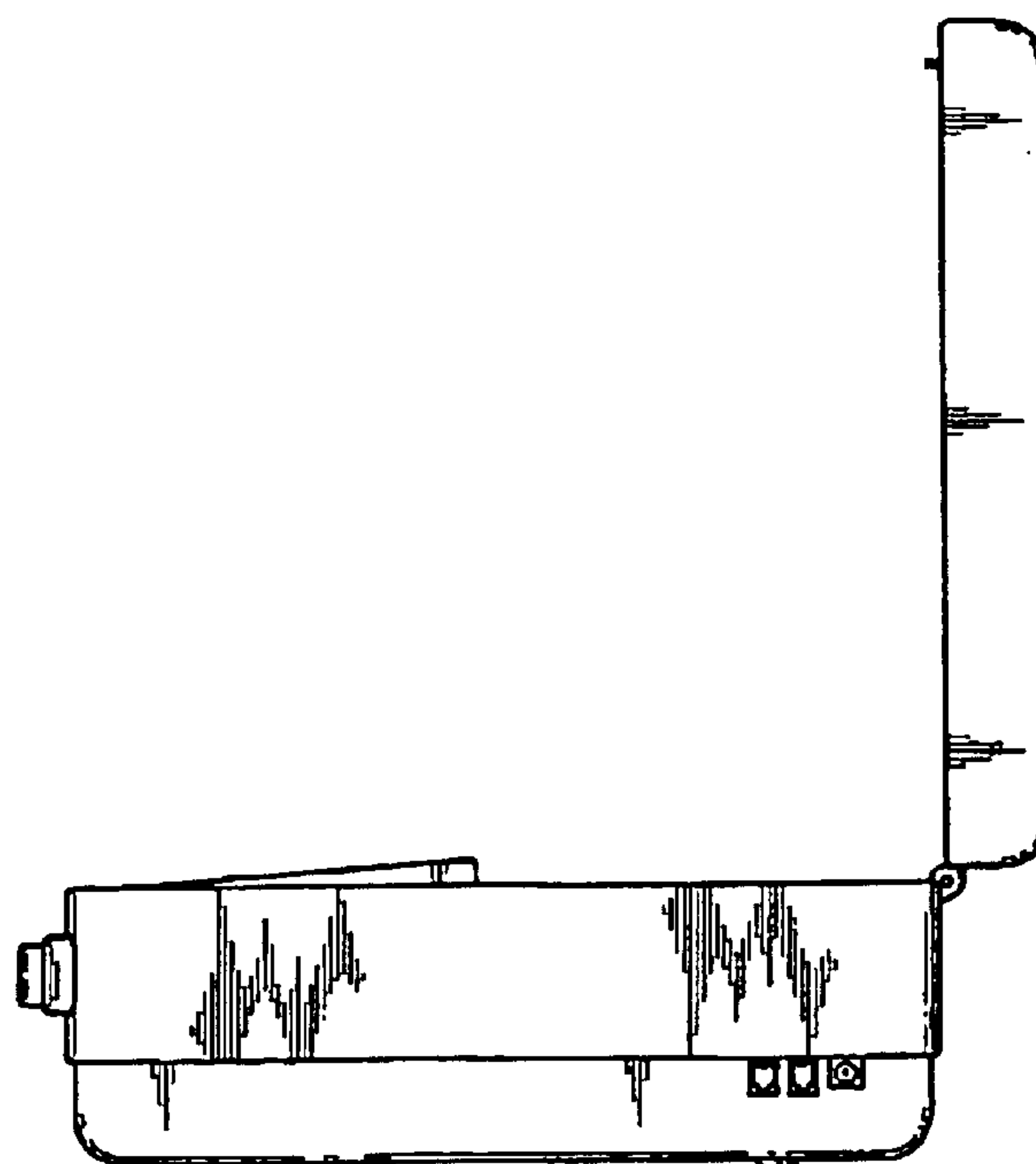


FIG. 6

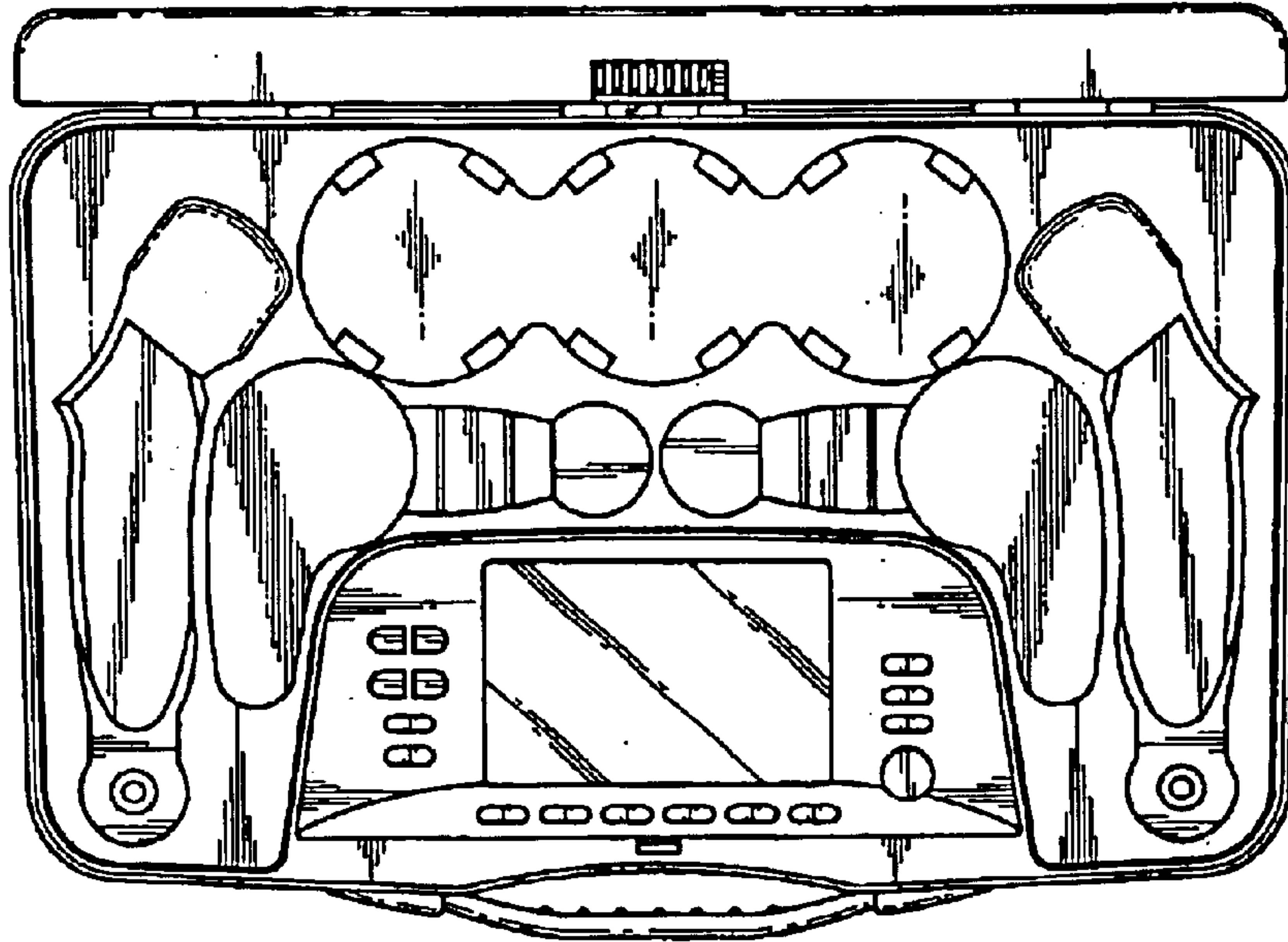


FIG. 7

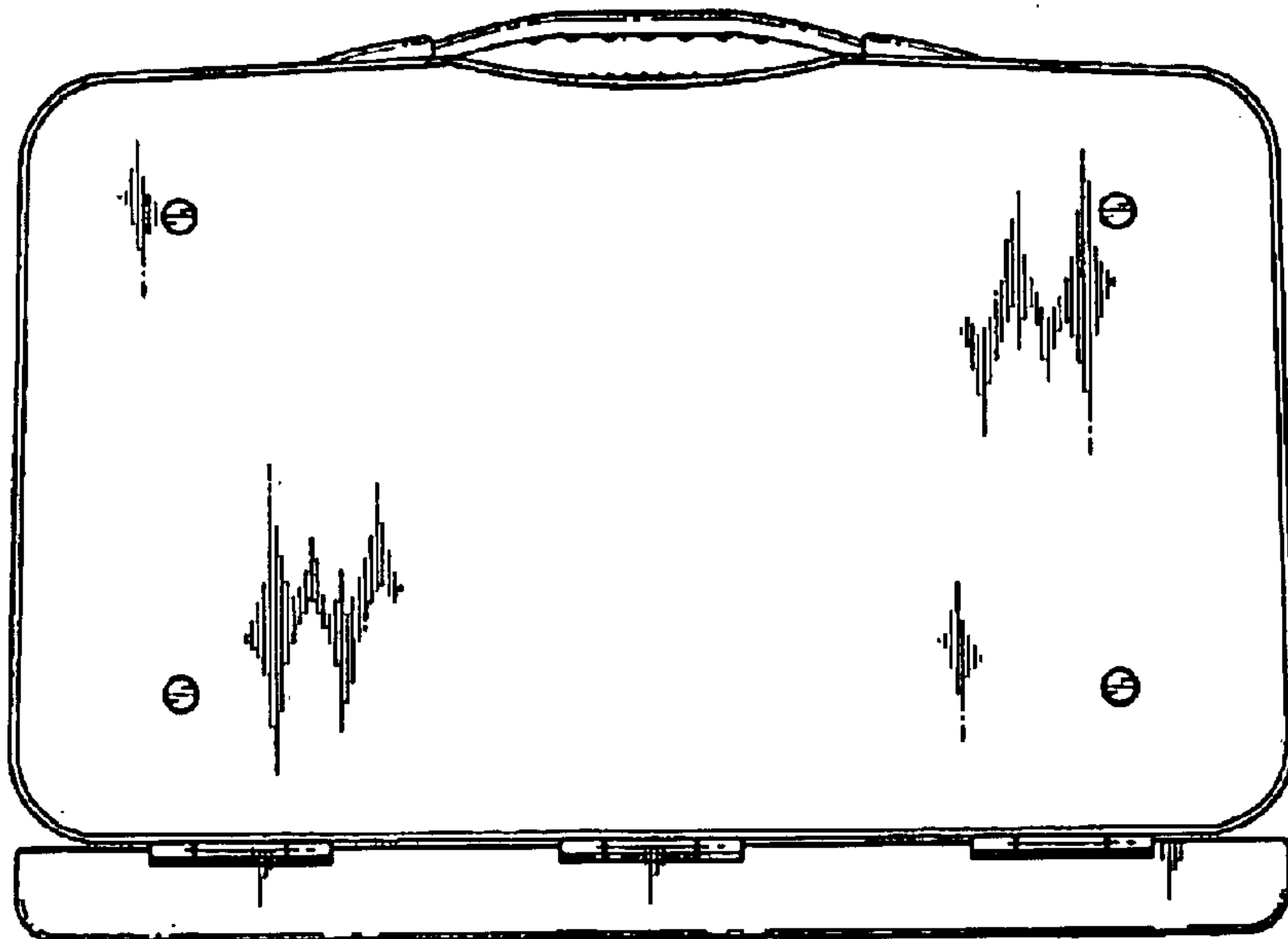


FIG. 8

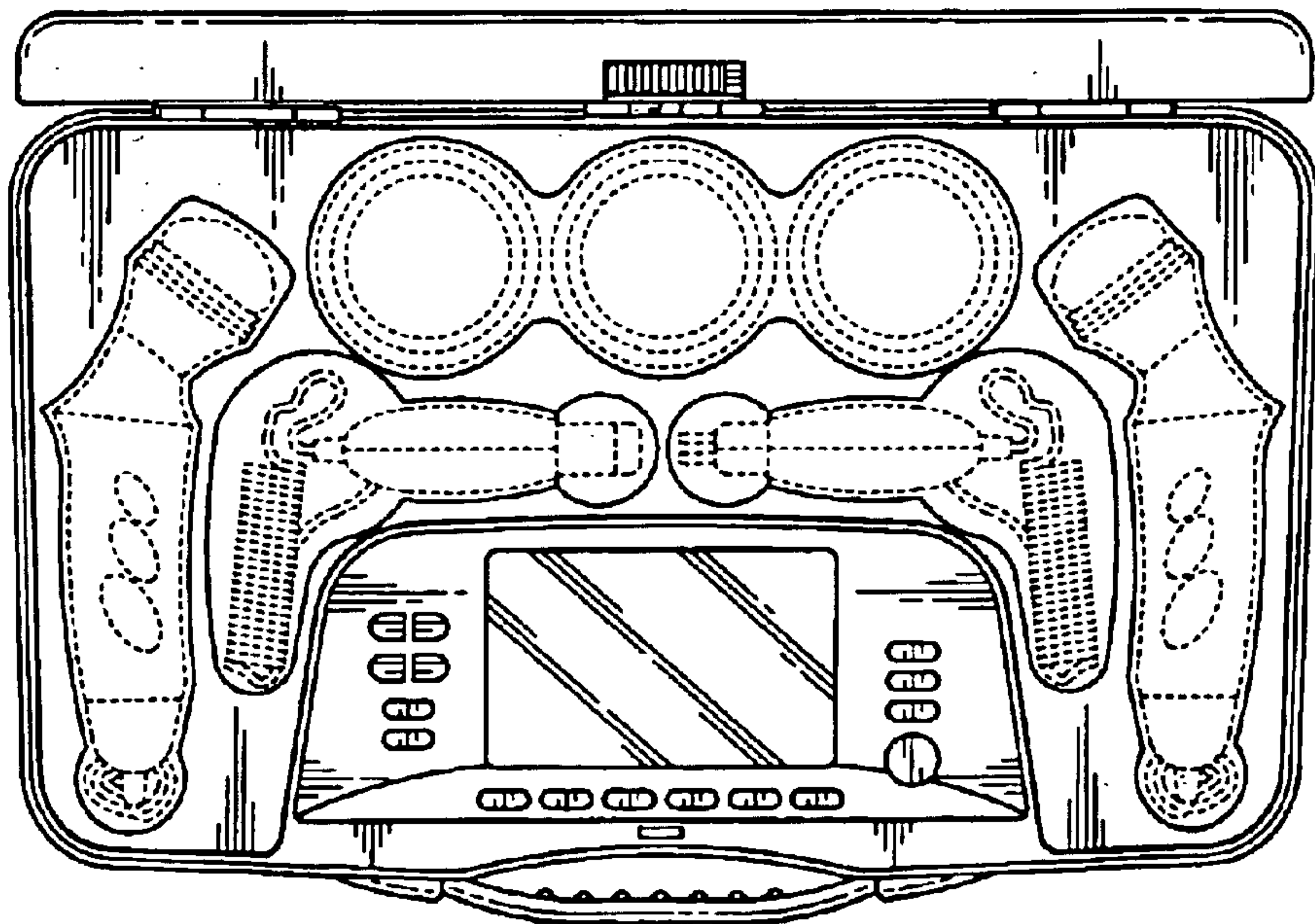
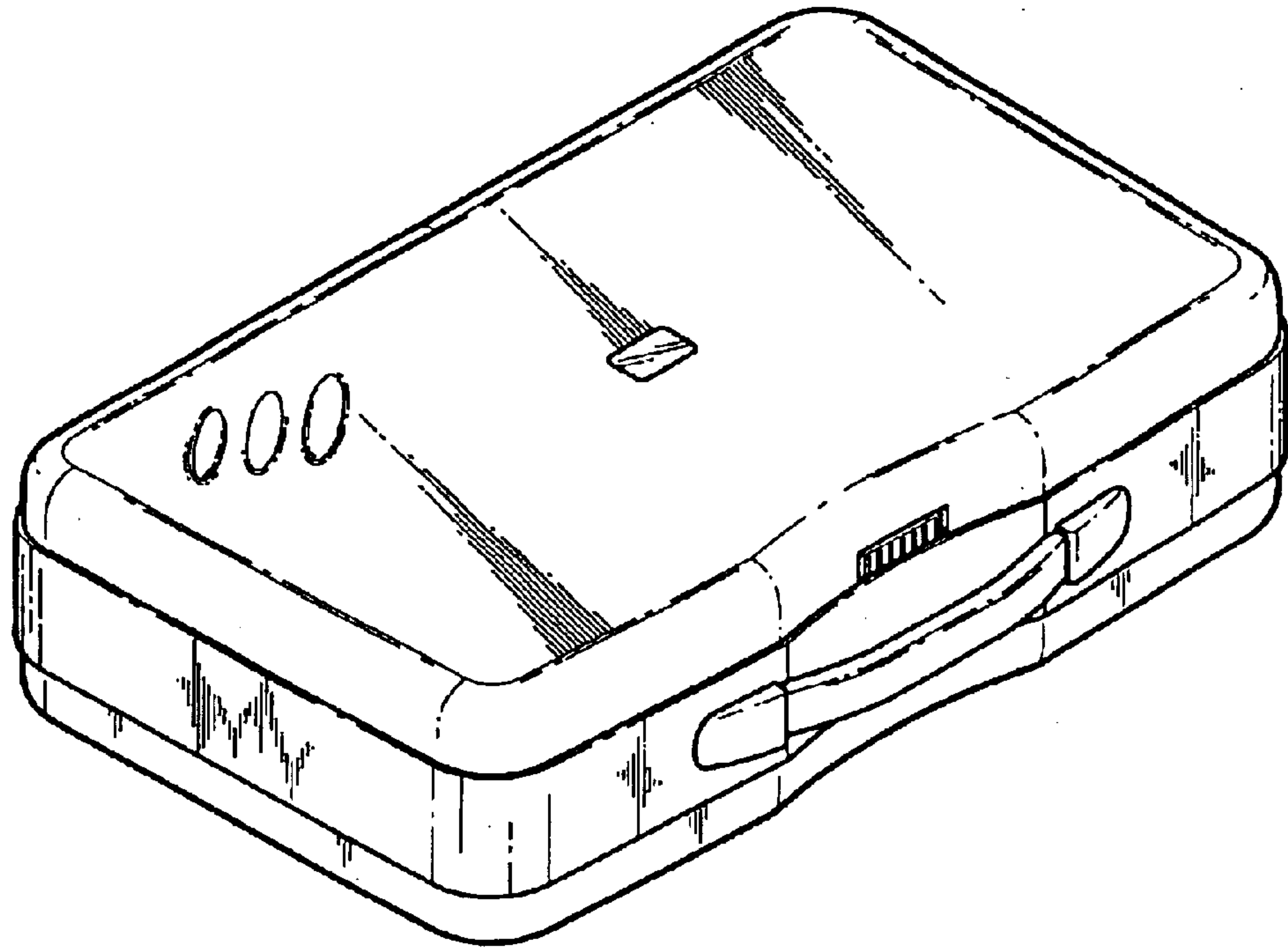


FIG. 9