

US00D492034S1

(12) **United States Design Patent**
Cruz et al.

(10) **Patent No.: US D492,034 S**
(45) **Date of Patent: ** Jun. 22, 2004**

(54) **BASE FOR A MEDICAL MACHINE**
(75) Inventors: **Edward Cruz**, Newbury Park, CA
(US); **John K. Clay**, Topanga, CA (US)
(73) Assignees: **Baxter International Inc.**, Deerfield, IL
(US); **Baxter Healthcare S.A.**, Zurich
(CH)
(**) Term: **14 Years**

5,824,213 A * 10/1998 Utterberg 210/241
D402,369 S 12/1998 Prokop et al.
D406,893 S 3/1999 Menhennett et al.
D406,894 S 3/1999 Menhennett et al.
D412,578 S 8/1999 Andersson et al.
D420,444 S 2/2000 McGugan
6,143,181 A 11/2000 Falkvall et al.
6,146,523 A 11/2000 Kenley et al.
D446,860 S 8/2001 Meziere et al.
D446,861 S 8/2001 Meziere et al.
2003/0010719 A1 * 1/2003 Brugger et al. 210/651

(21) Appl. No.: **29/168,208**
(22) Filed: **Sep. 27, 2002**

* cited by examiner

(51) **LOC (7) Cl.** **24-01**
(52) **U.S. Cl.** **D24/169**
(58) **Field of Search** D24/169, 186;
210/645, 646, 321.71, 321.65

Primary Examiner—Stella Reid
(74) *Attorney, Agent, or Firm*—Paula J. F. Kelly; Joseph P. Reagen; Bell, Boyd & Lloyd LLC

(57) **CLAIM**

The ornamental design for a base for a medical machine, as shown and described.

(56) **References Cited**

DESCRIPTION

U.S. PATENT DOCUMENTS

2,969,150 A 1/1961 Broman
5,514,335 A 5/1996 Leonard et al.
5,629,871 A 5/1997 Love et al.
5,650,071 A 7/1997 Brugger et al.
D383,842 S 9/1997 Kenley et al.
5,679,245 A * 10/1997 Manica 210/134
D389,916 S 1/1998 DiPerna et al.
D395,085 S 6/1998 Kenley et al.
D396,289 S 7/1998 McGugan
5,788,851 A 8/1998 Kenley et al.
D399,960 S 10/1998 Prokop et al.

FIG. 1 is a top, right side and front perspective view of a base for a medical machine, showing our new design; FIG. 2 is a top, left side and rear perspective view thereof; FIG. 3 is a front elevation view thereof; FIG. 4 is right side elevation view thereof; FIG. 5 is a left side elevation view thereof; and, FIG. 6 is a top plan view thereof. The broken line showing is for illustrative purposes only and forms no part of the claimed design.

1 Claim, 5 Drawing Sheets

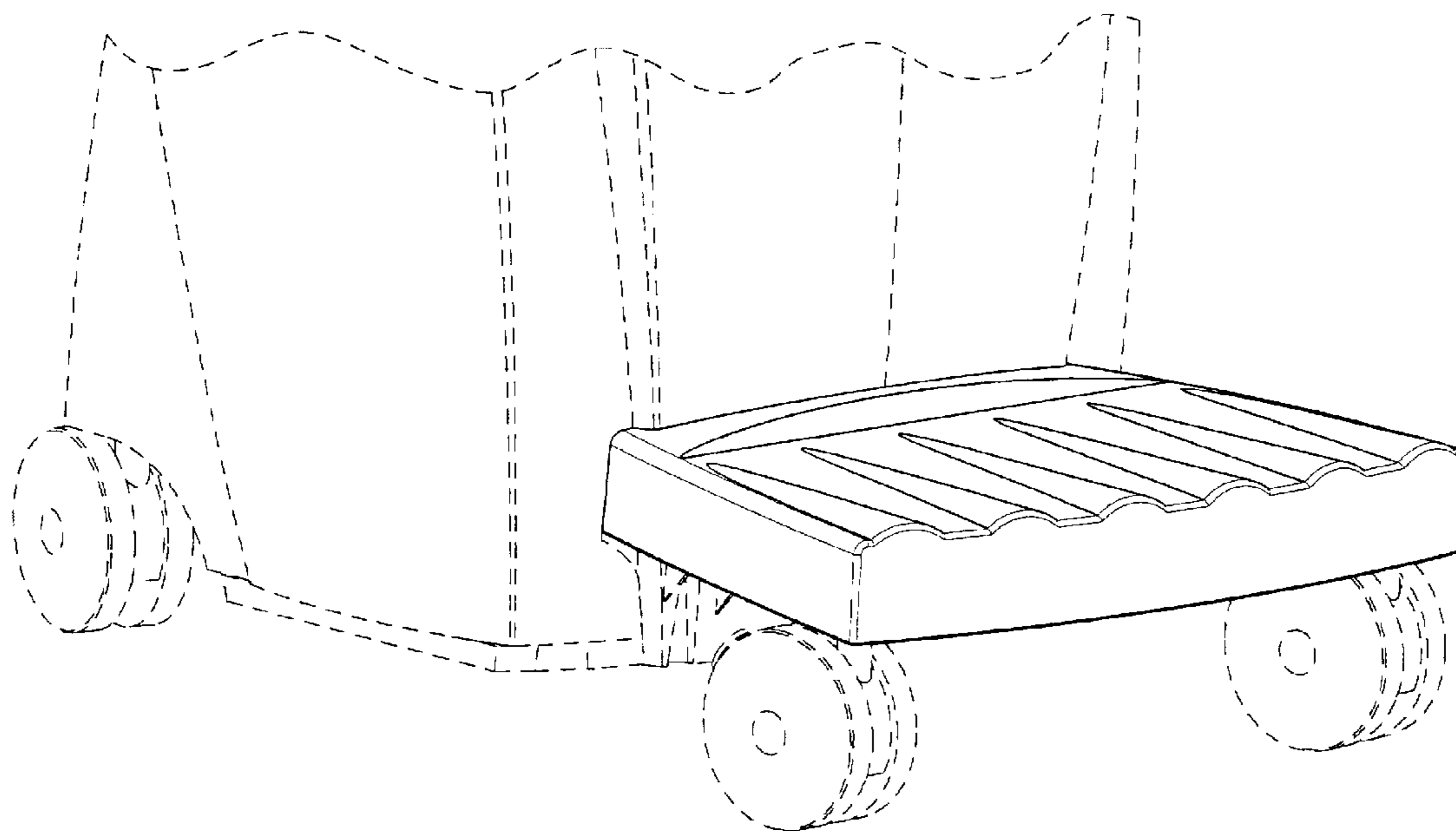
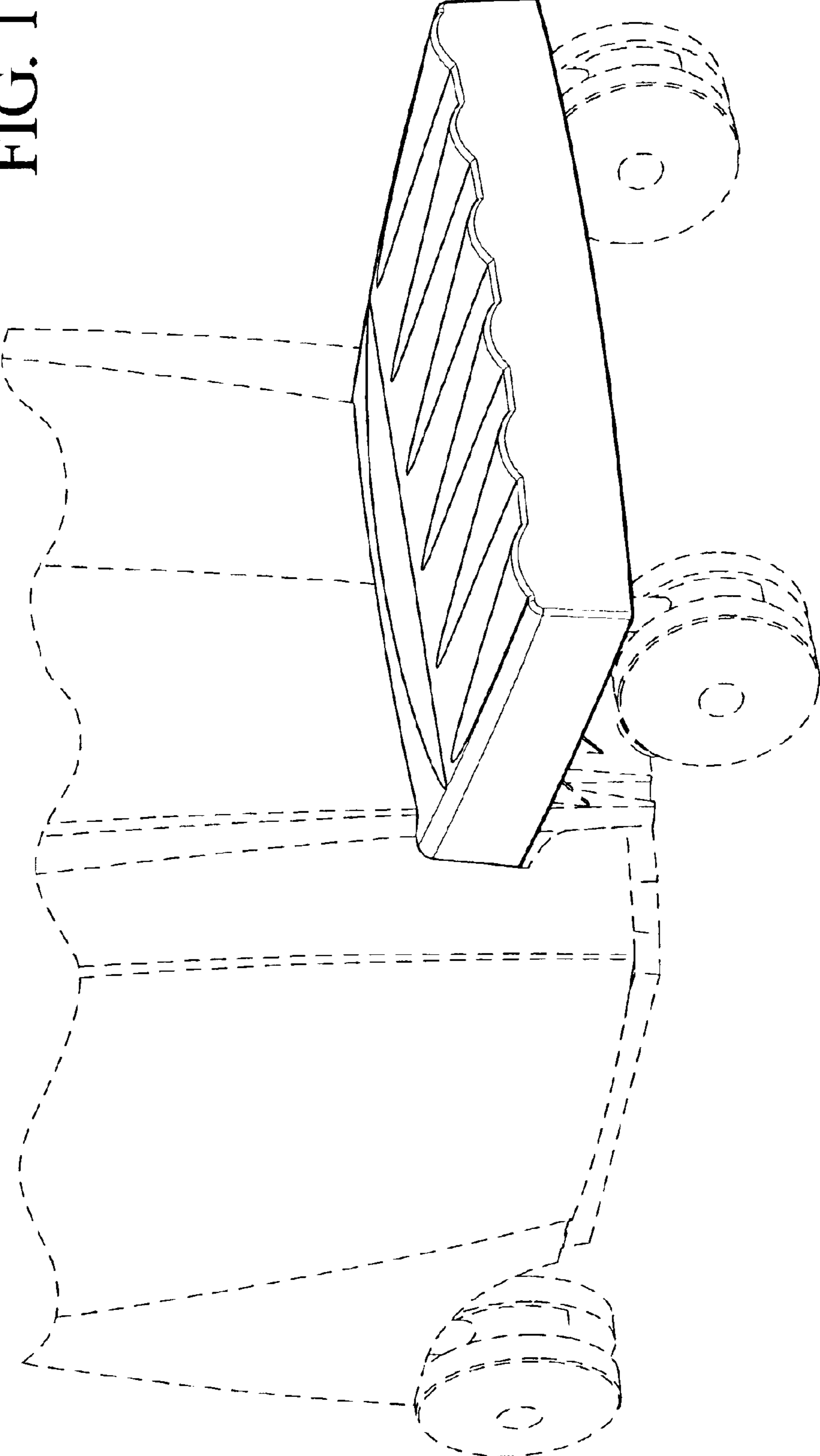


FIG. 1



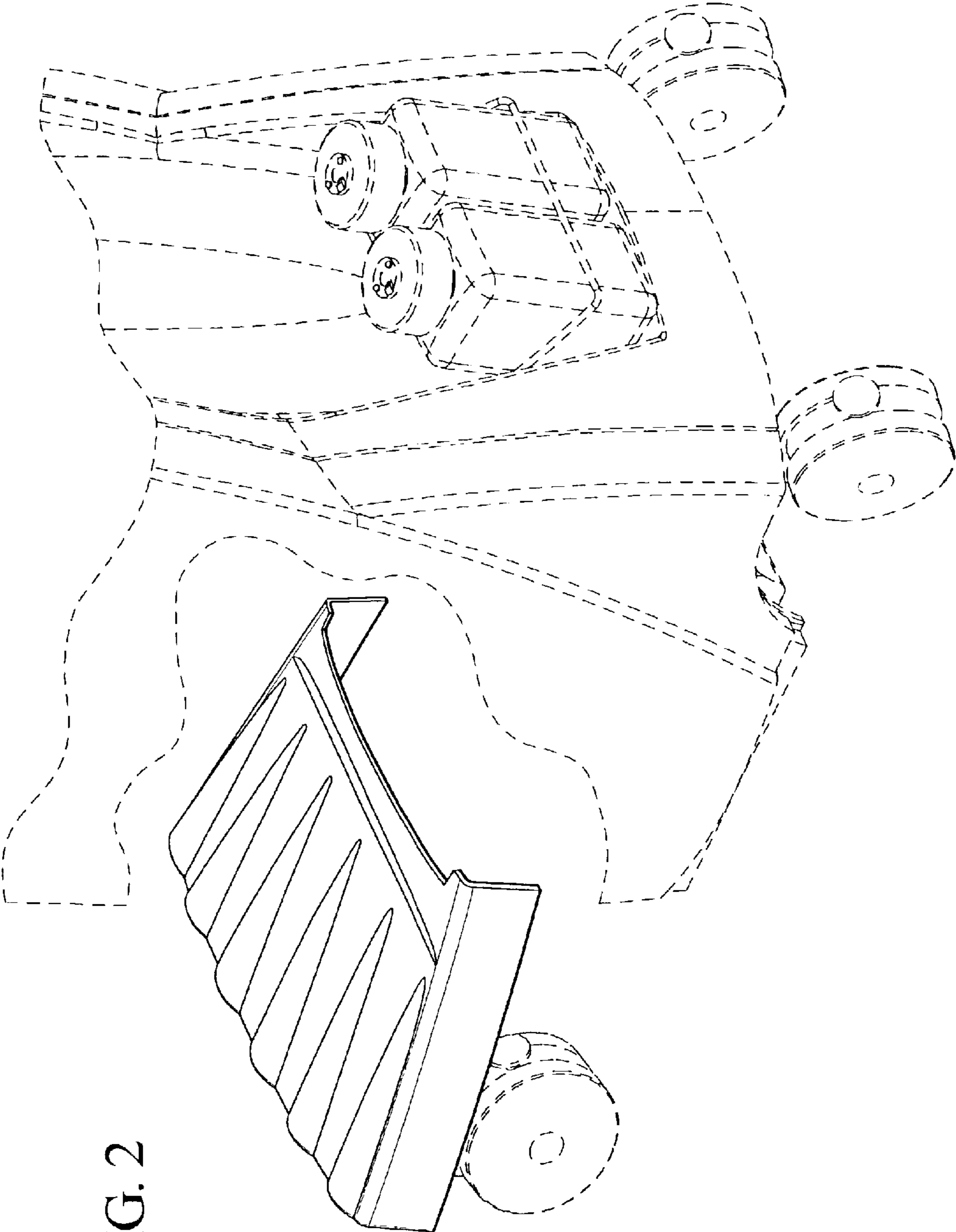
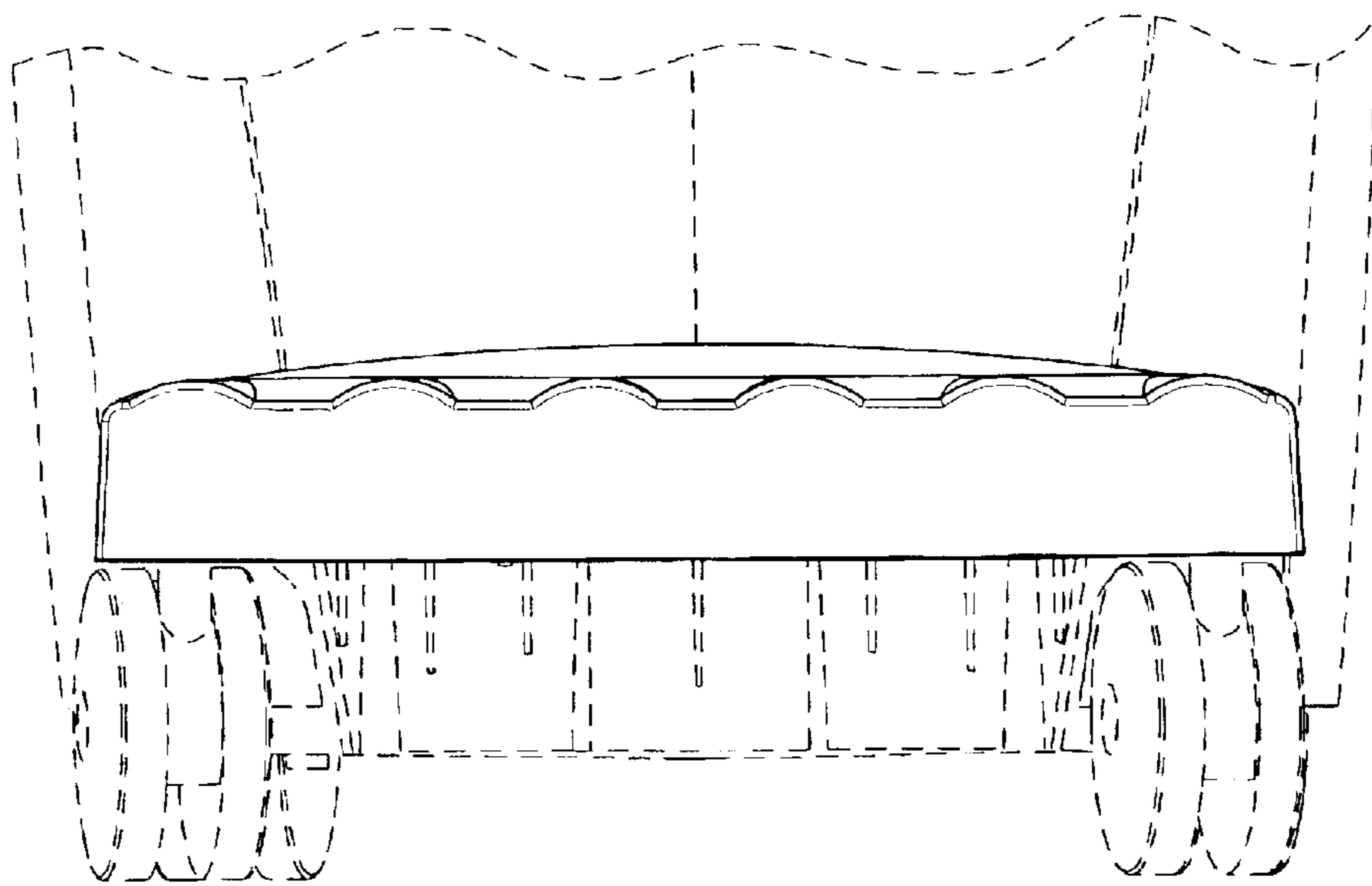


FIG. 2

FIG. 3



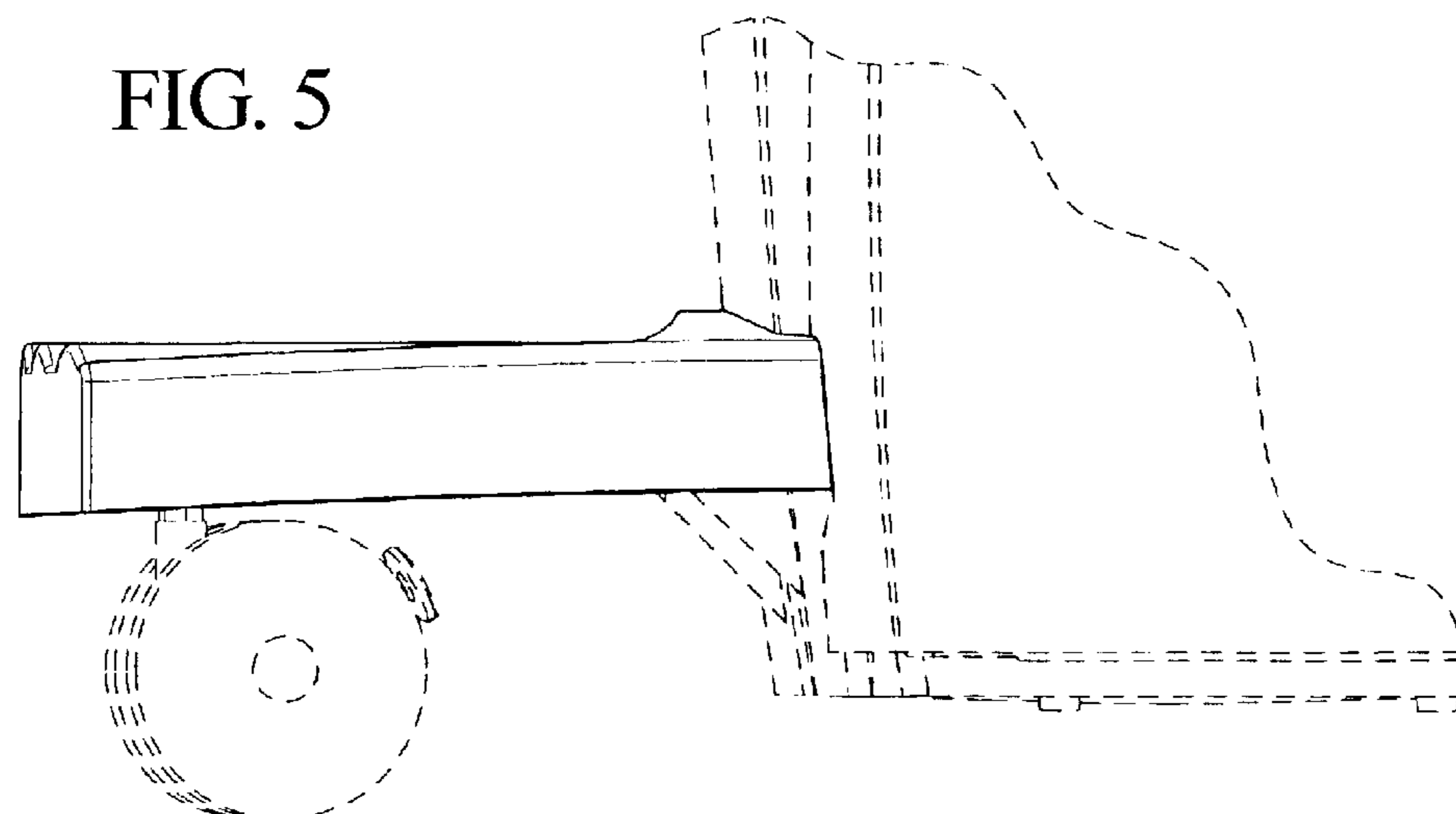
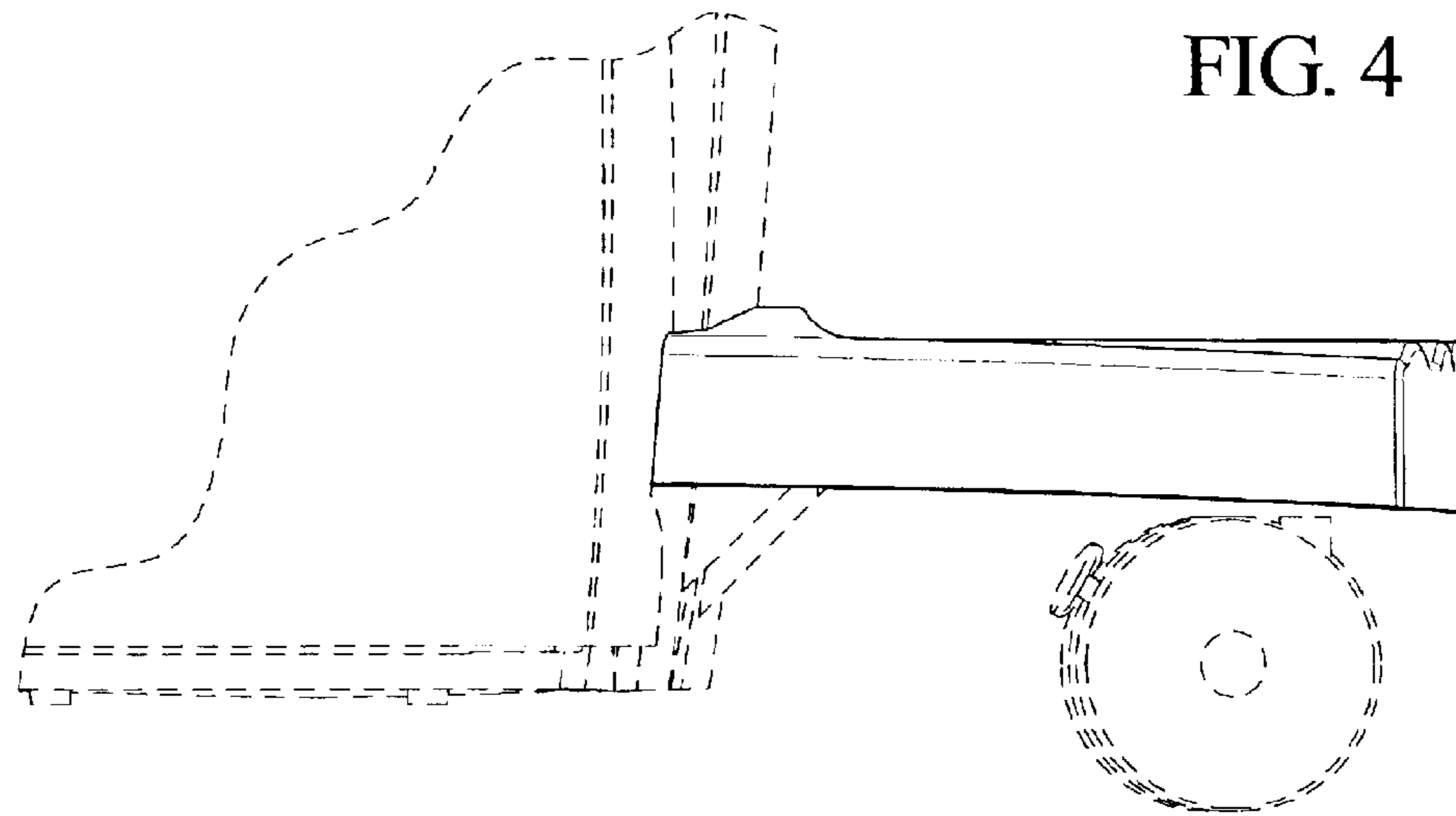


FIG. 6

