



US00D492031S1

(12) **United States Design Patent**
Cindrach et al.

(10) **Patent No.: US D492,031 S**
(45) **Date of Patent: ** Jun. 22, 2004**

(54) **INTRODUCER NEEDLE AND INTEGRATED CATHETER ASSEMBLY**

(75) Inventors: **Christopher Noel Cindrach**, South Jordan, UT (US); **Glade Harold Howell**, Sandy, UT (US); **Weston F. Harding**, Lehl, UT (US)

(73) Assignee: **Becton Dickinson and Company**, Franklin Lakes, NJ (US)

(**) Term: **14 Years**

(21) Appl. No.: **29/177,430**

(22) Filed: **Mar. 10, 2003**

(51) **LOC (7) Cl. 24-02**

(52) **U.S. Cl. D24/130**

(58) **Field of Search** D24/130, 112, D24/145; 604/165.03, 165.04, 164.07, 164.01, 167.02, 177, 180, 179, 172, 174

(56) **References Cited**

U.S. PATENT DOCUMENTS

4,445,893 A	5/1984	Bodicky	604/165
4,973,313 A	11/1990	Katsaros et al.	604/165
D378,405 S	3/1997	Musgrave et al.	D24/112
5,676,656 A	10/1997	Brimhall	604/165
D408,530 S	4/1999	Eliassen et al.	D24/112
D417,733 S	12/1999	Howell et al.	D24/112
D424,194 S	5/2000	Holdaway et al.	D24/112

D458,678 S	*	6/2002	Cindrach	D24/130
D458,994 S		6/2002	Cindrach	D24/130
D459,802 S	*	7/2002	Cindrach	D24/130
2002/0177814 A1	*	11/2002	Meng et al.	604/164.07

* cited by examiner

Primary Examiner—Ian Simmons

(74) *Attorney, Agent, or Firm*—James J. Murtha

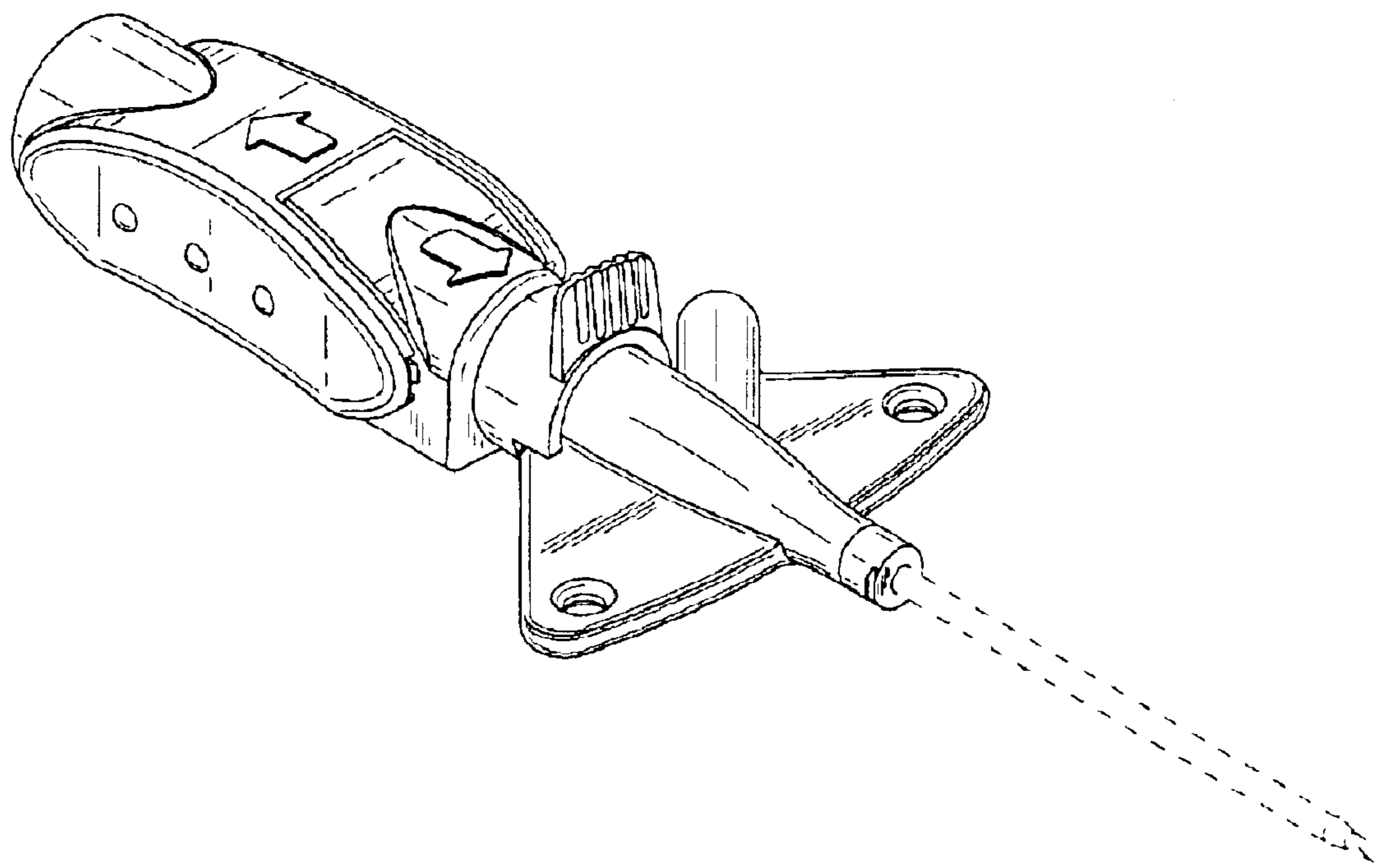
(57) **CLAIM**

The ornamental design for an introducer needle and integrated catheter assembly, as shown and described.

DESCRIPTION

FIG. 1 is a perspective view of an introducer needle and integrated catheter assembly showing my design; FIG. 2 is a bottom perspective view of the assembly of FIG. 1; FIG. 3 is a front elevational view of the assembly of FIG. 1; FIG. 4 is a rear elevational view of the assembly of FIG. 1; FIG. 5 is a top plan view of the assembly of FIG. 1; FIG. 6 is a right-side elevational view of the assembly of FIG. 1; FIG. 7 is a left-side elevational view of the assembly of FIG. 1; and, FIG. 8 is a bottom plan view of the assembly of FIG. 1. The broken lines shown in FIGS. 1, 2, 3 and 5 through 8 are for illustrative purposes only and form no part of the claimed design.

1 Claim, 5 Drawing Sheets



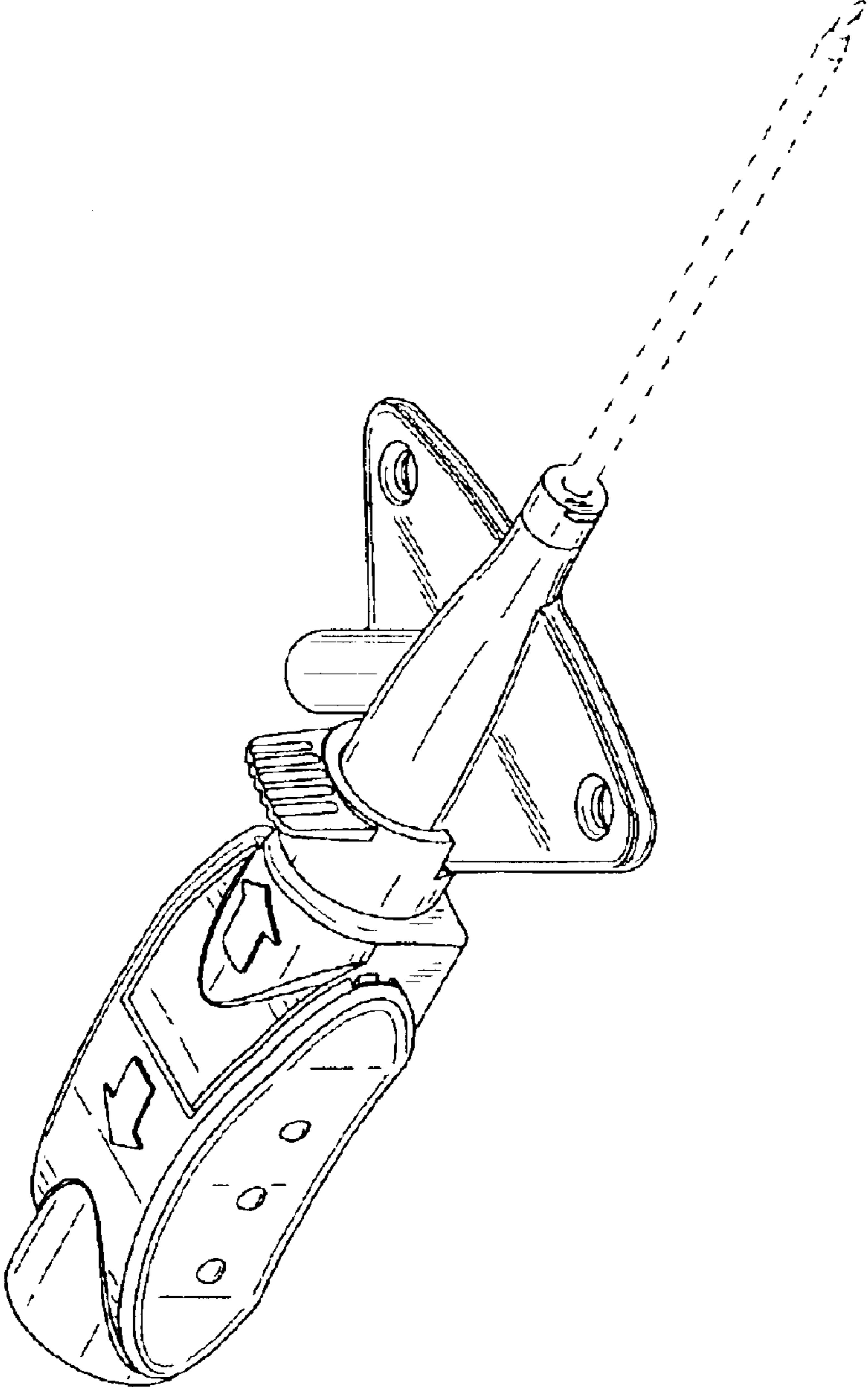


FIG. 1

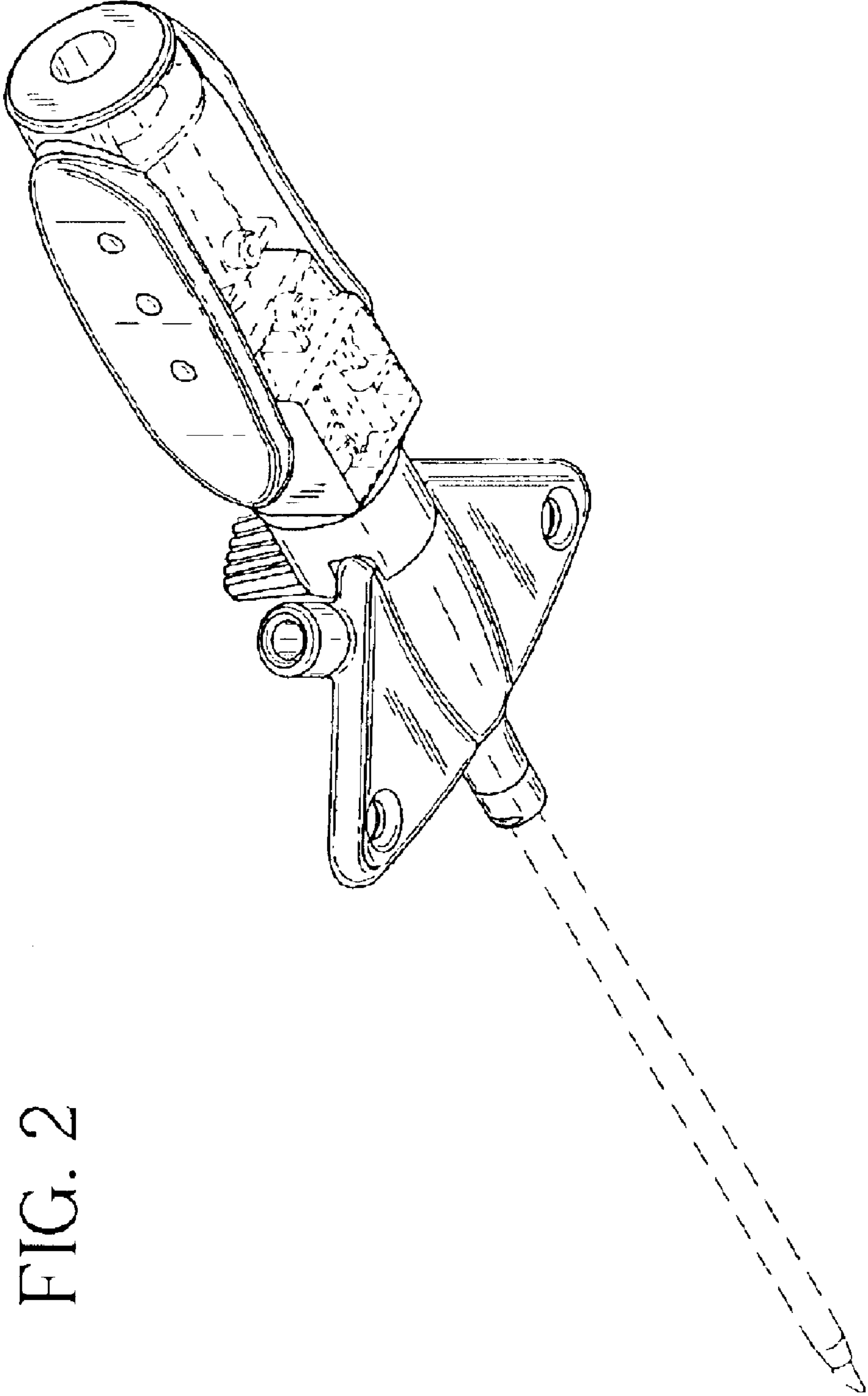


FIG. 2

FIG. 4

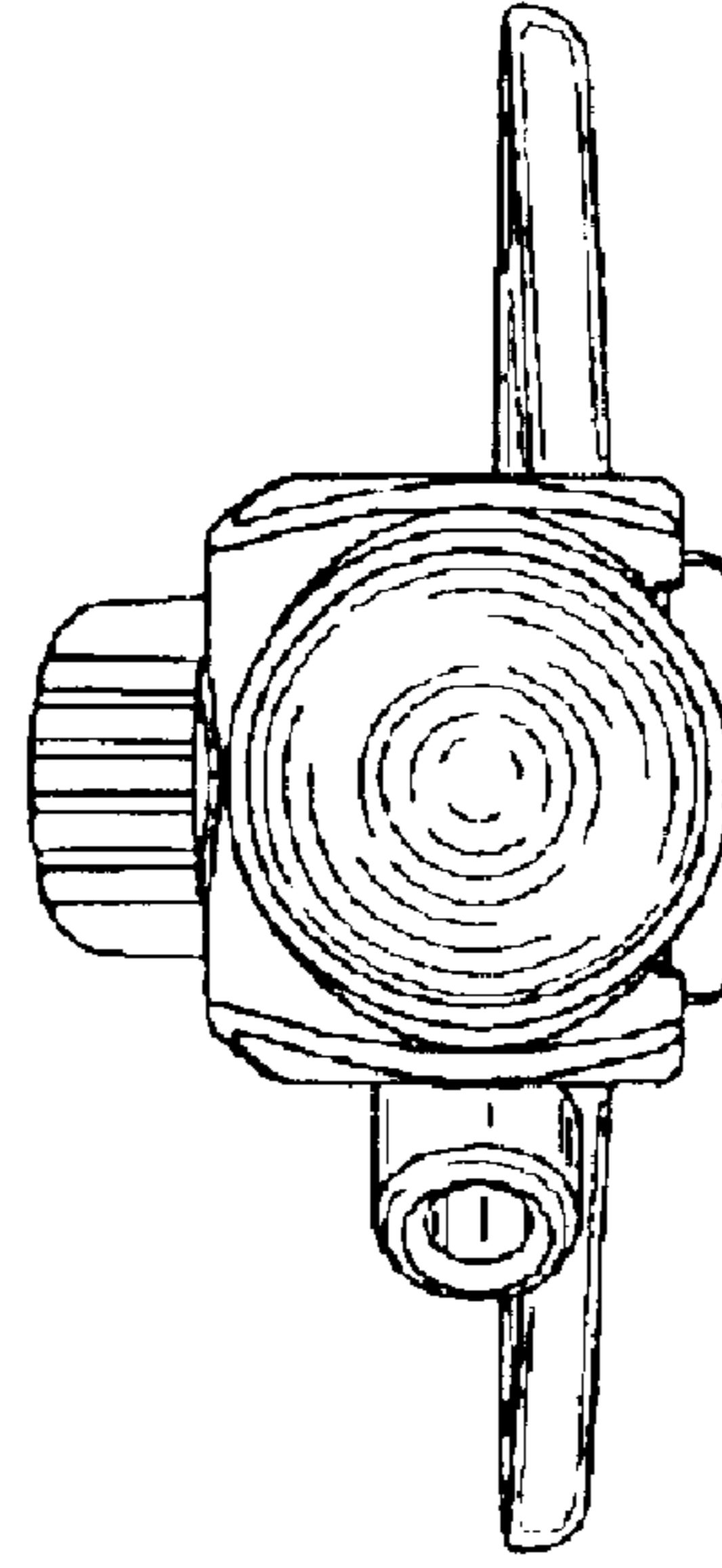


FIG. 3

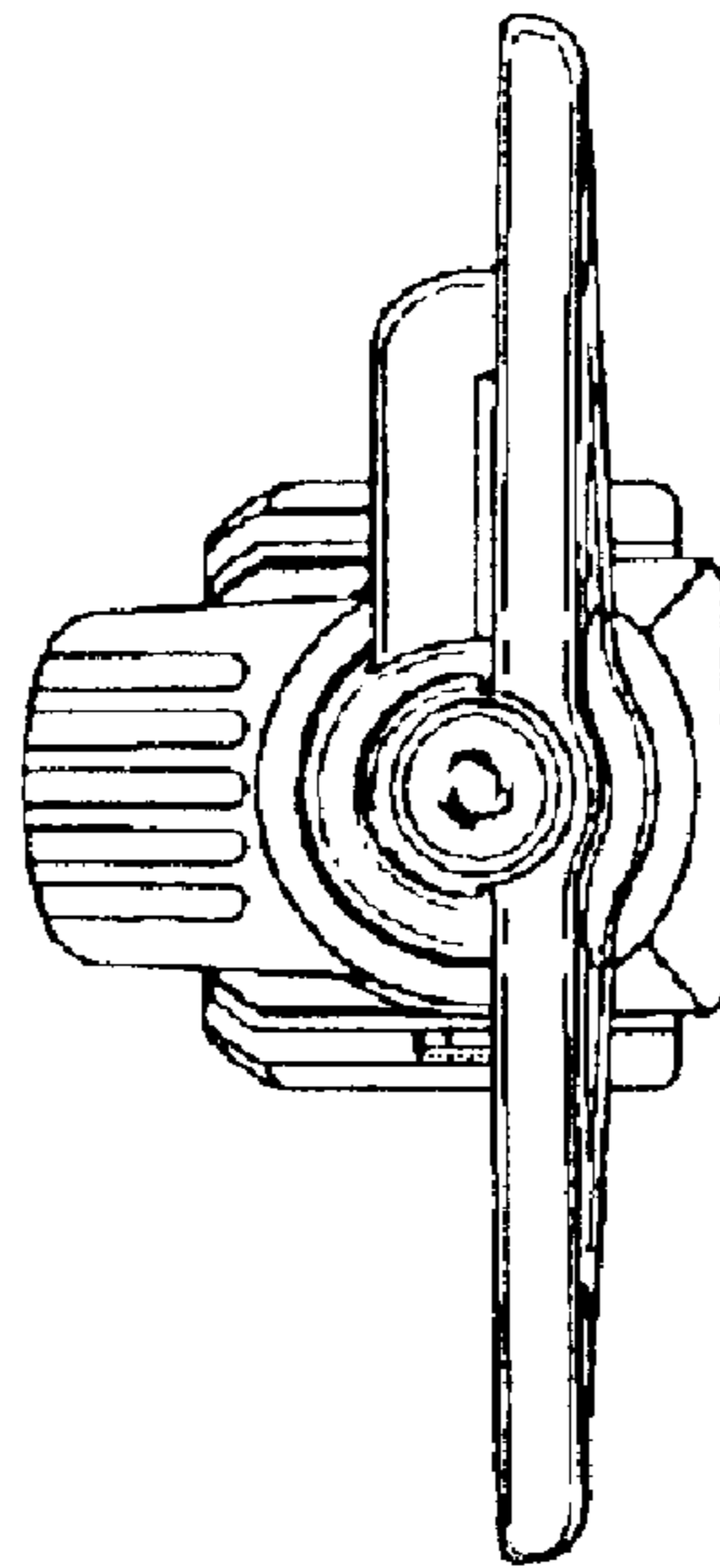


FIG. 5

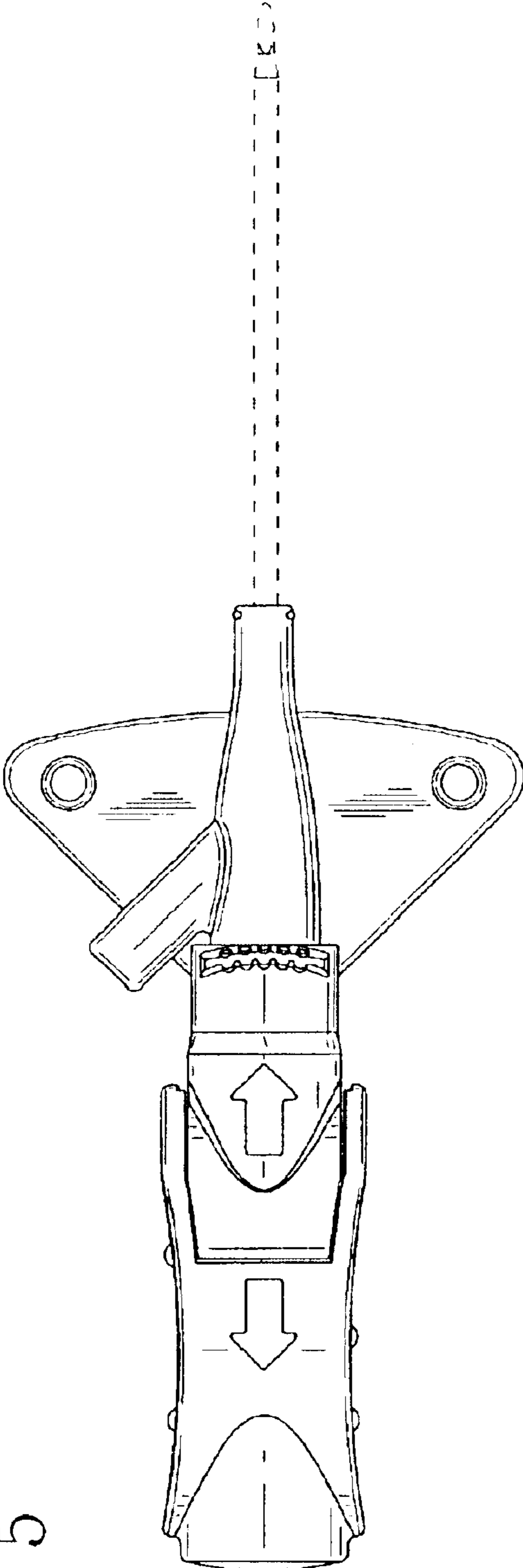
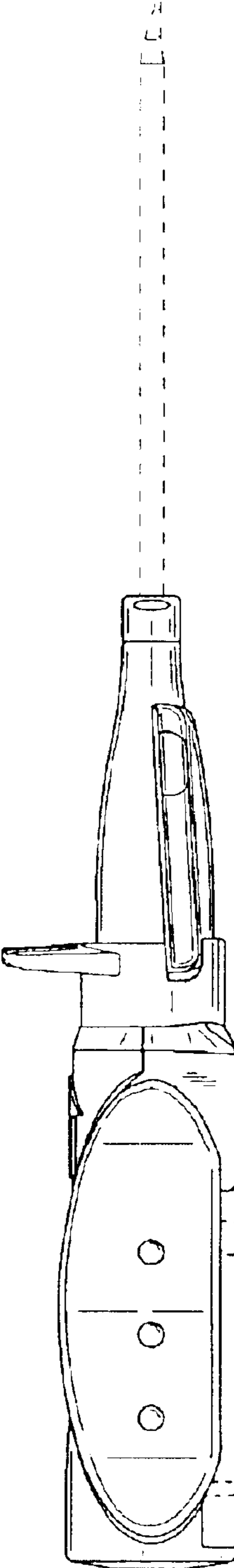


FIG. 6



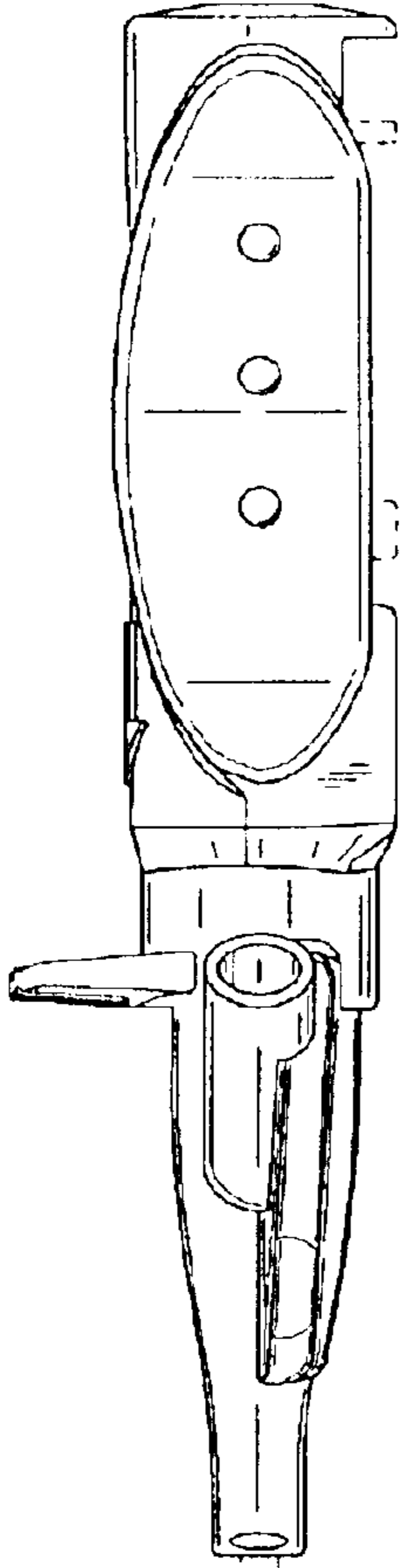


FIG. 7

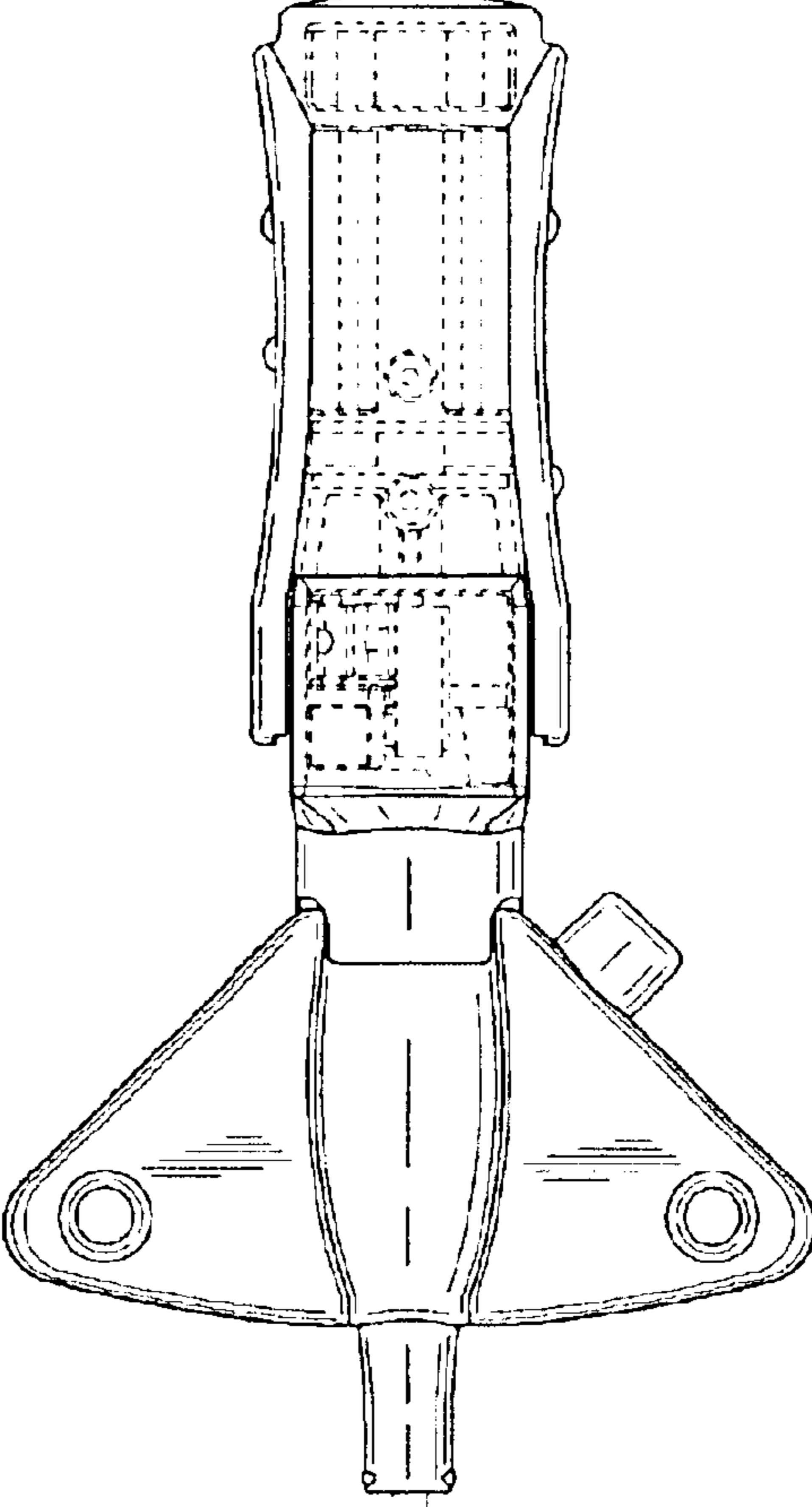


FIG. 8