

US00D492030S1

(12) **United States Design Patent**
Rani

(10) **Patent No.:** **US D492,030 S**
(45) **Date of Patent:** **** Jun. 22, 2004**

(54) **Y-PORT**

(75) **Inventor:** **Robert G. Rani**, Vadnais Heights, MN (US)

(73) **Assignee:** **Novartis Nutrition AG**, Berne (CH)

(**) **Term:** **14 Years**

(21) **Appl. No.:** **29/180,390**

(22) **Filed:** **Apr. 23, 2003**

(51) **LOC (7) Cl.** **24-01**

(52) **U.S. Cl.** **D24/129**

(58) **Field of Search** D24/108, 129,
D24/112; D23/263; 604/284, 905, 175,
533, 403, 910, 187, 523

(56) **References Cited**

U.S. PATENT DOCUMENTS

4,661,110 A	4/1987	Fortier et al.	
4,874,365 A	10/1989	Frederick et al.	
D308,576 S	* 6/1990	Iversen D24/129
5,358,490 A	* 10/1994	Henry et al. 604/284
D360,030 S	7/1995	Michels et al.	

D418,220 S	12/1999	Picha et al.	
6,146,373 A	* 11/2000	Cragg et al. 604/523
D445,182 S	* 7/2001	Haynes D24/129
D448,848 S	* 10/2001	Clark et al. D24/129
6,332,467 B1	12/2001	Hutson et al.	
2001/0012927 A1	* 8/2001	Mauch 604/284

* cited by examiner

Primary Examiner—Ian Simmons

(74) *Attorney, Agent, or Firm*—John W. Kung

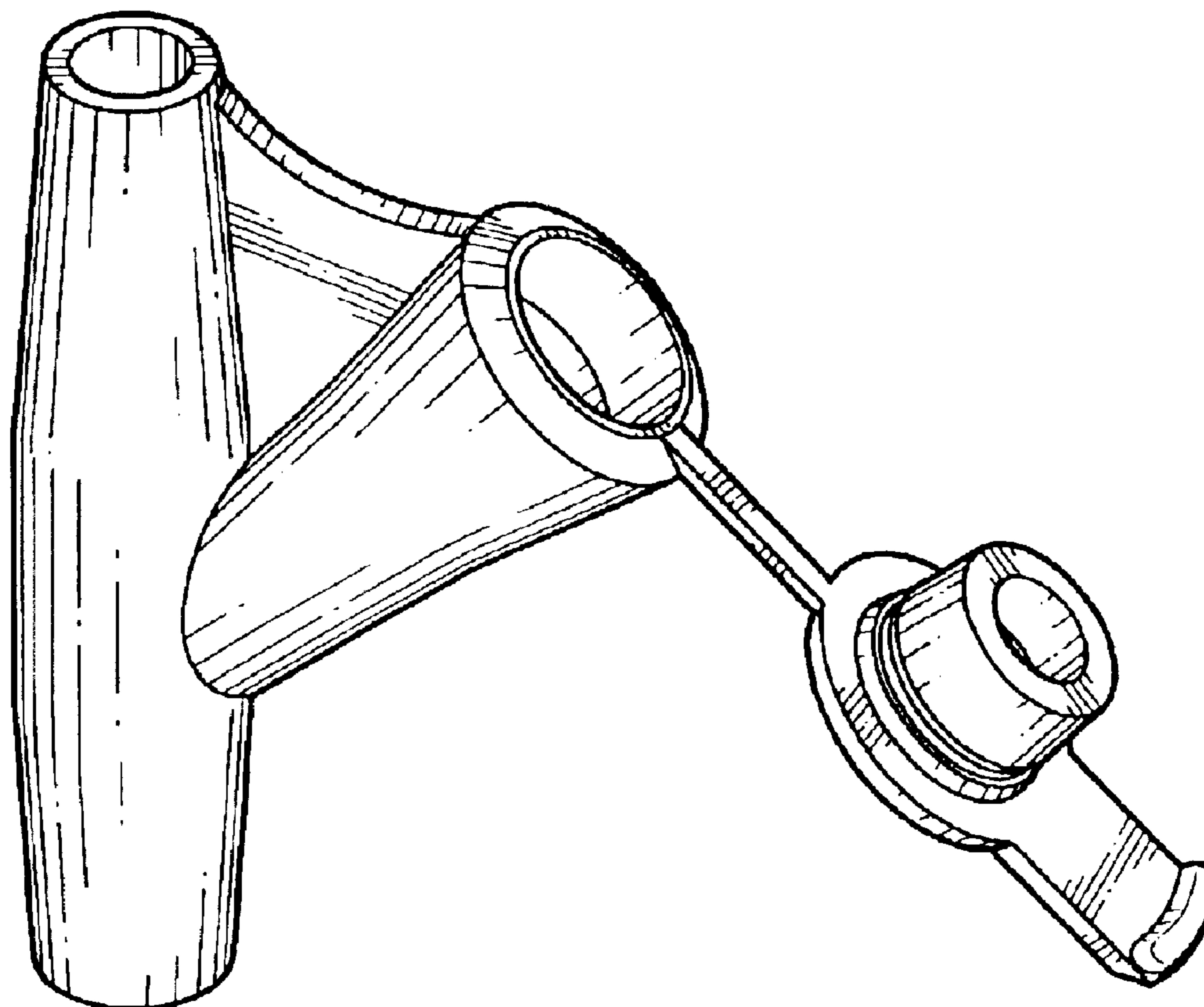
(57) **CLAIM**

The ornamental design of a y-port, as shown and described.

DESCRIPTION

FIG. 1 is a perspective view of a y-port of my new design; FIG. 2 is a front elevational view of the y-port of FIG. 1; FIG. 3 is a rear elevational view of the y-port of FIG. 1; FIG. 4 is a top plan view of the y-port of FIG. 1; FIG. 5 is a bottom plan view of the y-port of FIG. 1; FIG. 6 is a right side elevational view of the y-port of FIG. 1; and, FIG. 7 is a left side elevational view of the y-port of FIG. 1.

1 Claim, 4 Drawing Sheets



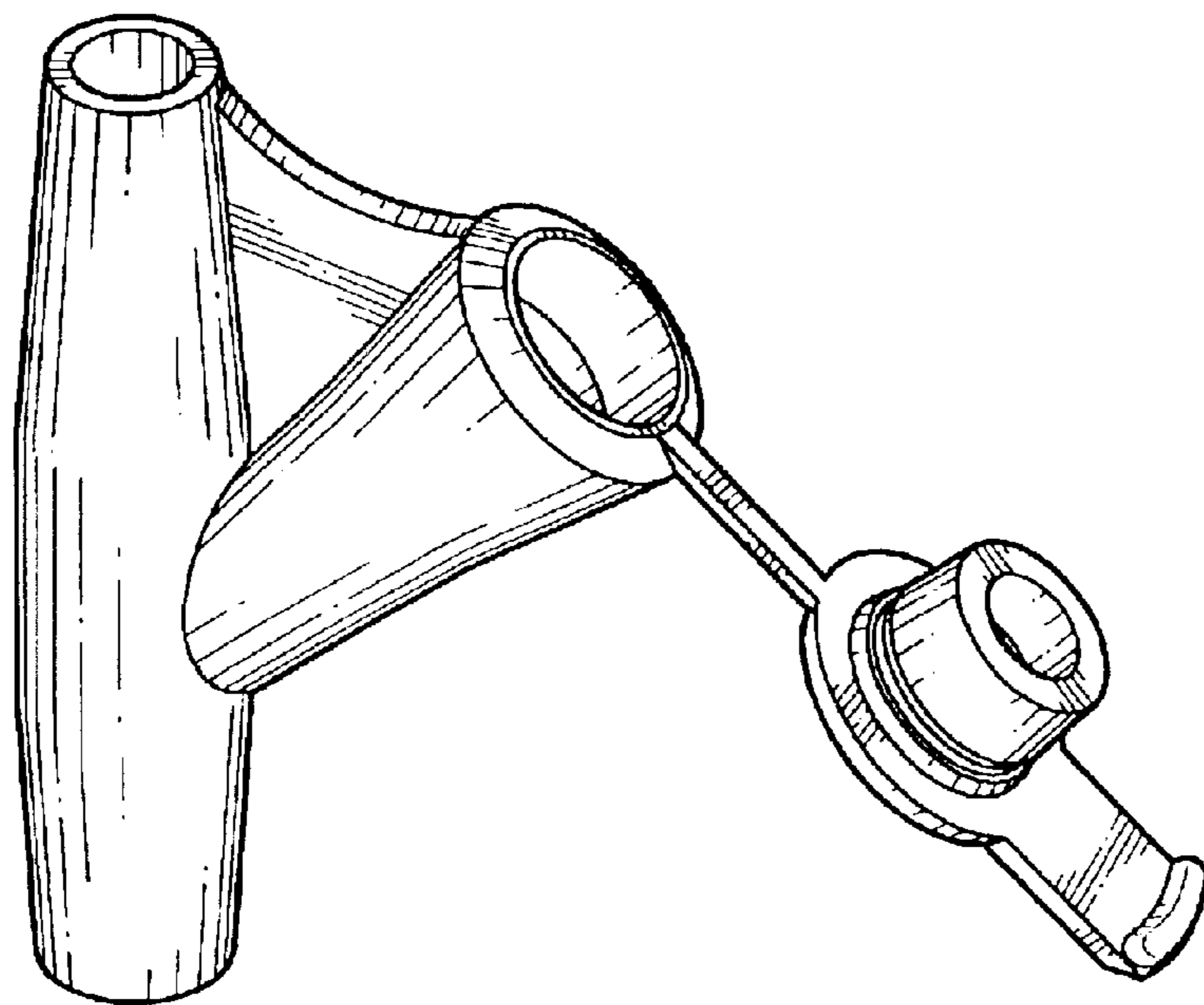


FIG. 1

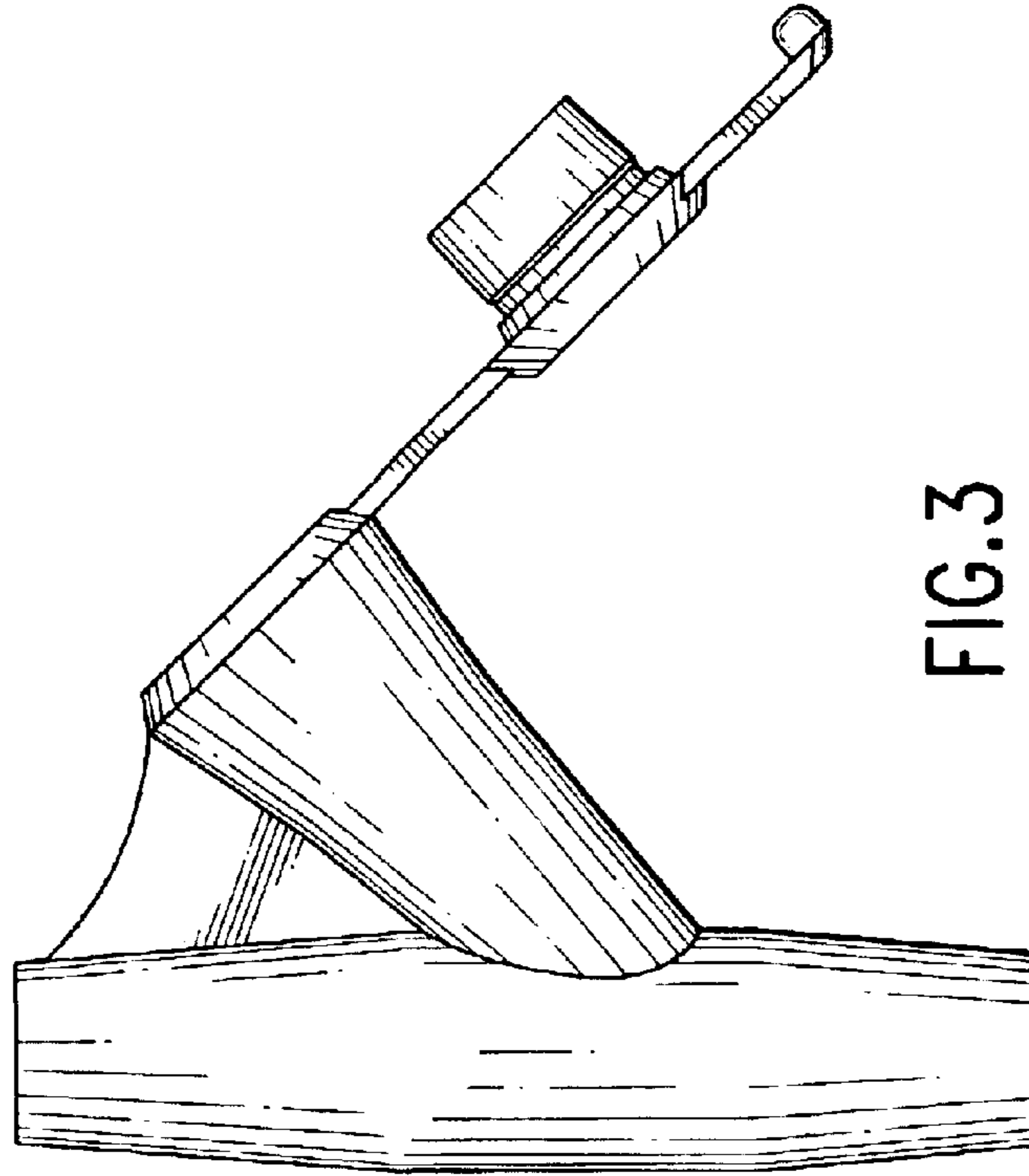


FIG. 3

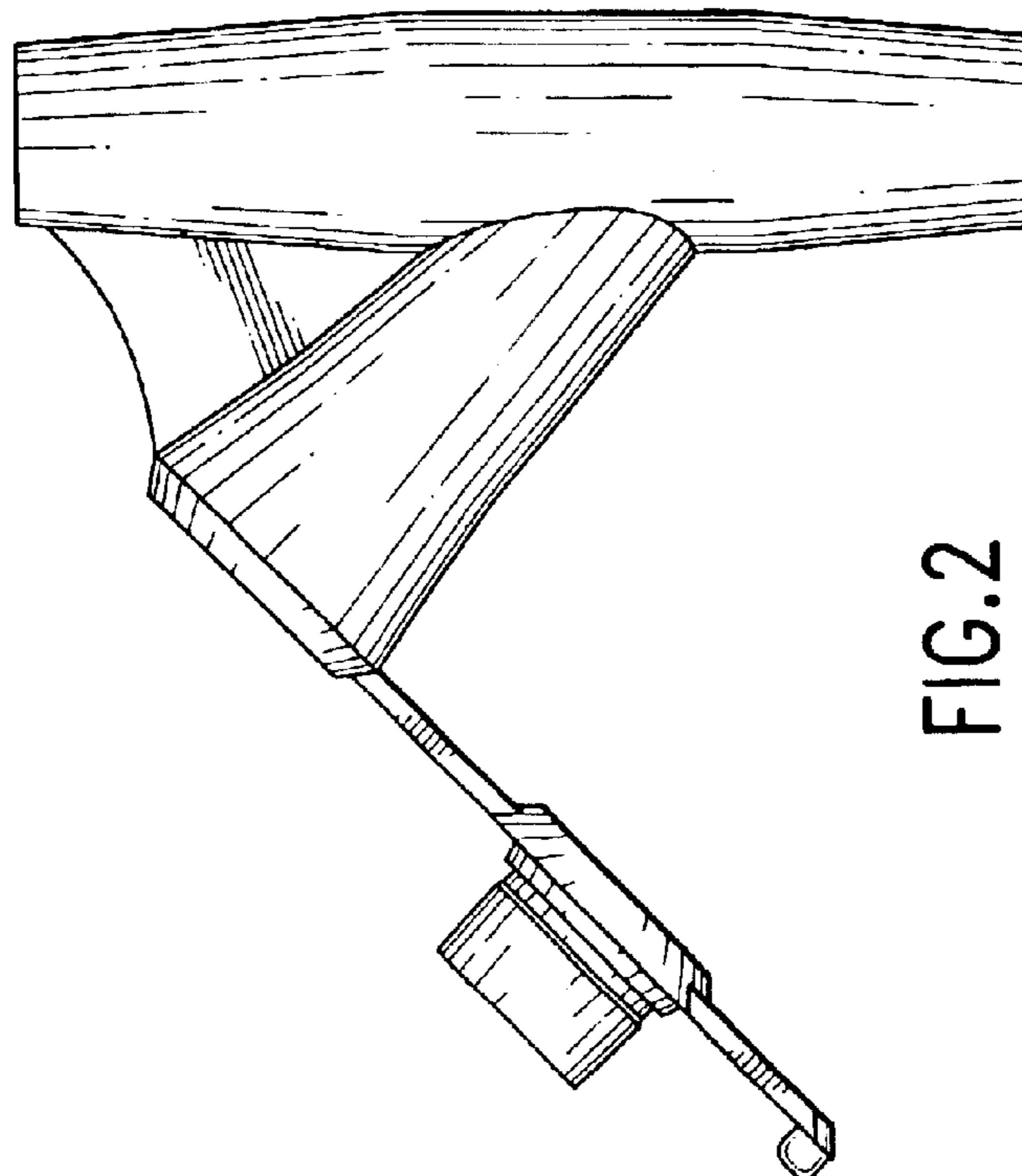


FIG. 2

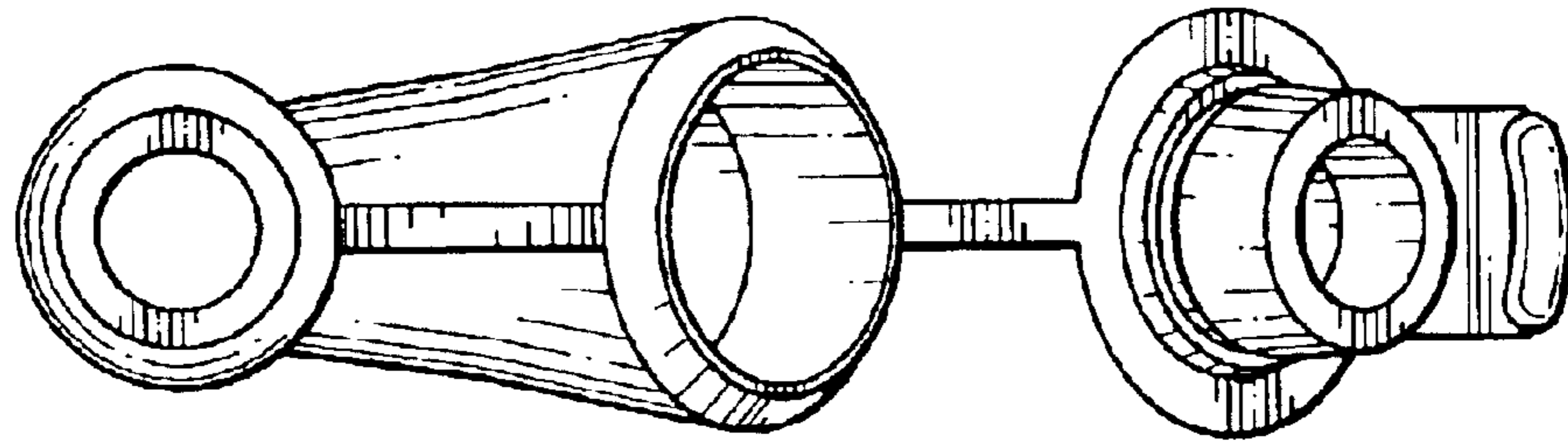


FIG. 4

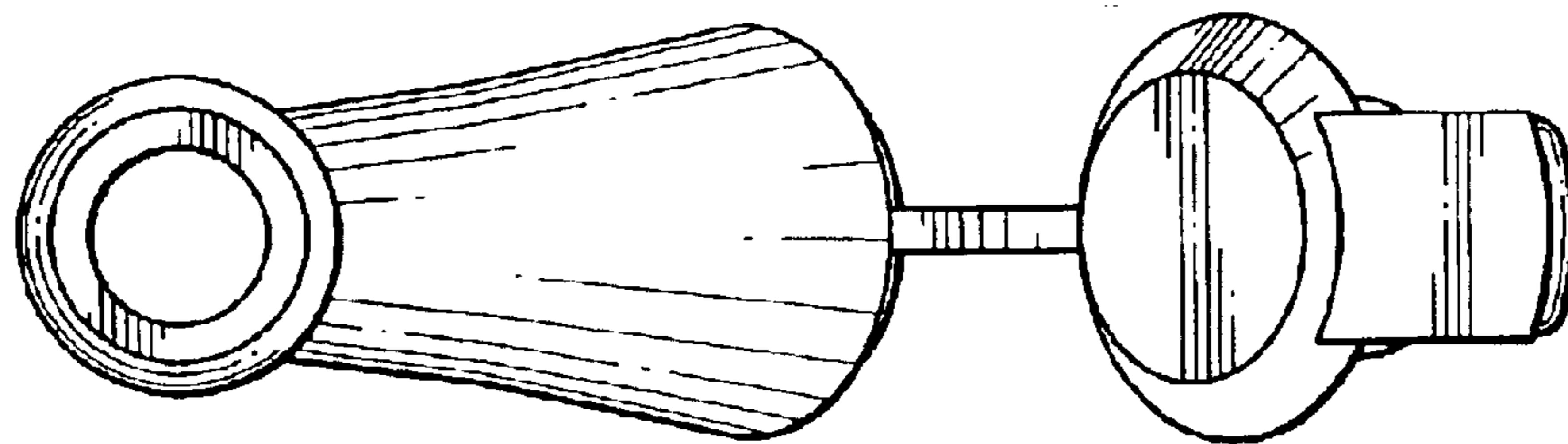


FIG. 5

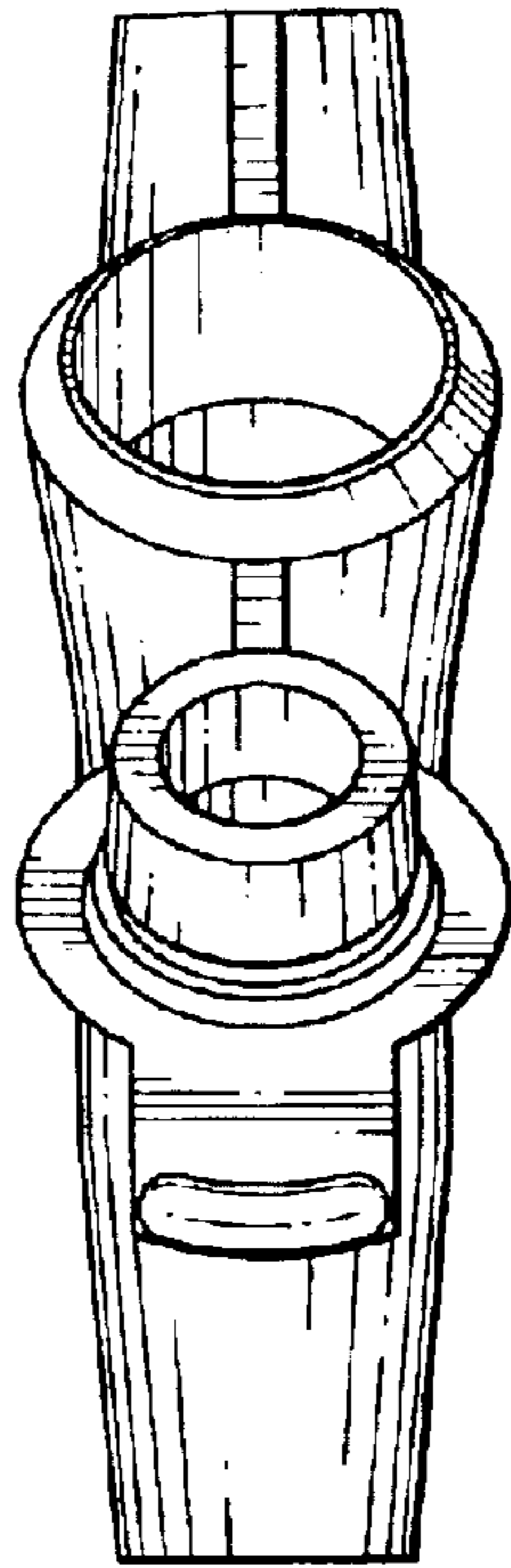


FIG. 6

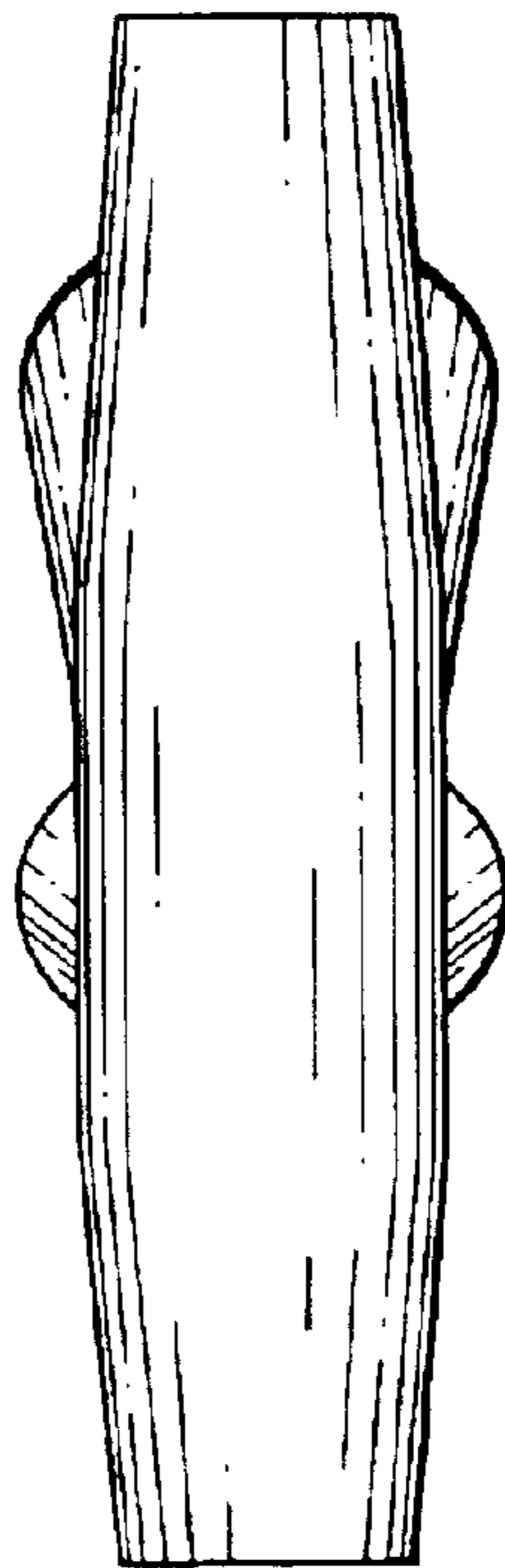


FIG. 7