



US00D492021S1

(12) **United States Design Patent**  
**Basagañas Millan**

(10) **Patent No.:** **US D492,021 S**  
(45) **Date of Patent:** **\*\* Jun. 22, 2004**

(54) **COMPONENT FOR EVAPORATORS OF ACTIVE SUBSTANCES**

(75) Inventor: **Jordi Basagañas Millan**, Barcelona (ES)

(73) Assignee: **DBK Espana S.A.**, Barcelona (ES)

(\*\*) Term: **14 Years**

(21) Appl. No.: **29/185,093**

(22) Filed: **Jun. 23, 2003**

(30) **Foreign Application Priority Data**

Dec. 23, 2002 (ES) ..... 155853

(51) **LOC (7) Cl.** ..... **23-04**

(52) **U.S. Cl.** ..... **D23/366**

(58) **Field of Search** ..... D23/366-369,  
D23/360; 428/305, 125; D9/560, 529; 239/136,  
135; 392/395, 392

(56) **References Cited**

**U.S. PATENT DOCUMENTS**

D452,732 S \* 1/2002 Basaganas ..... D23/366

\* cited by examiner

*Primary Examiner*—Lisa P Lichtenstein  
(74) *Attorney, Agent, or Firm*—Michael Best & Friedrich LLP

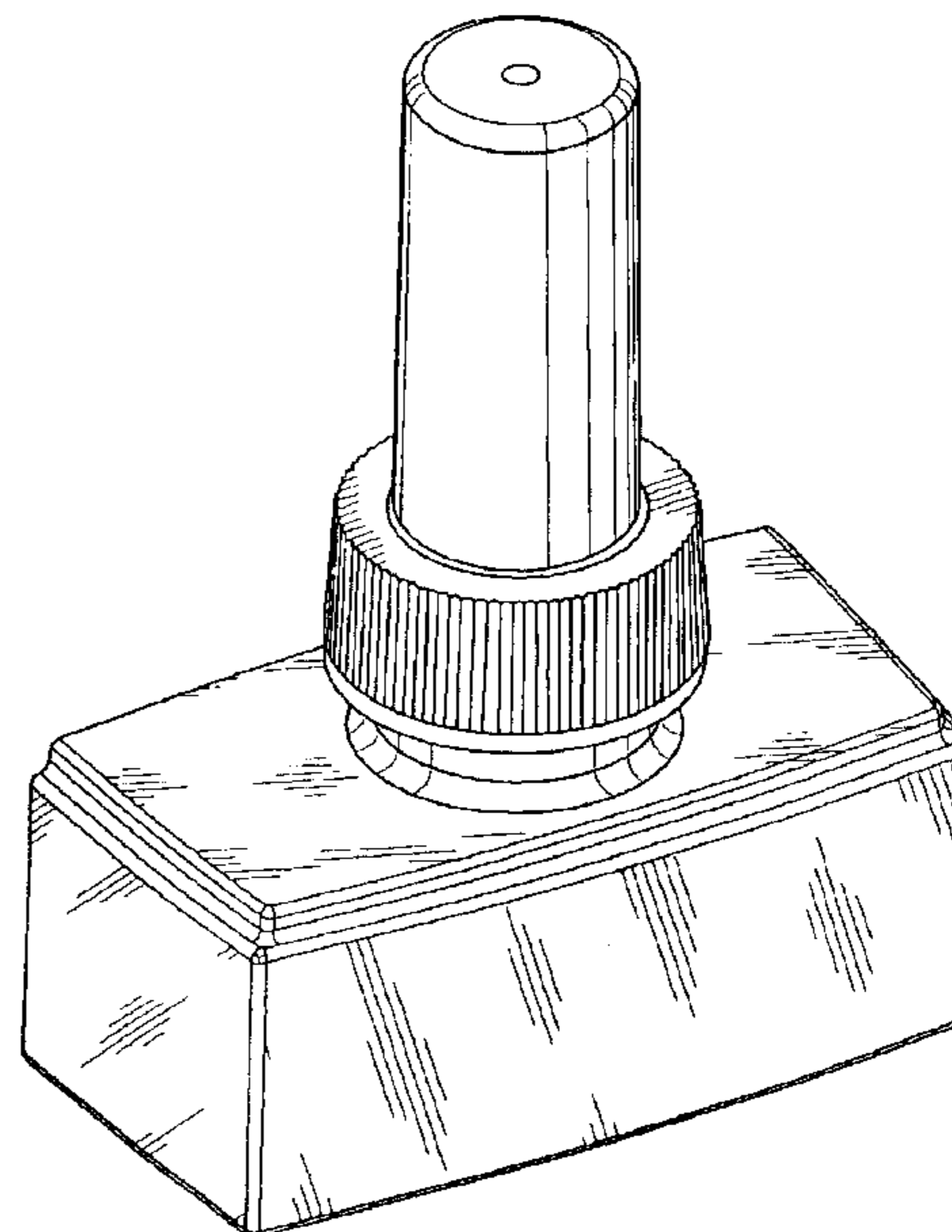
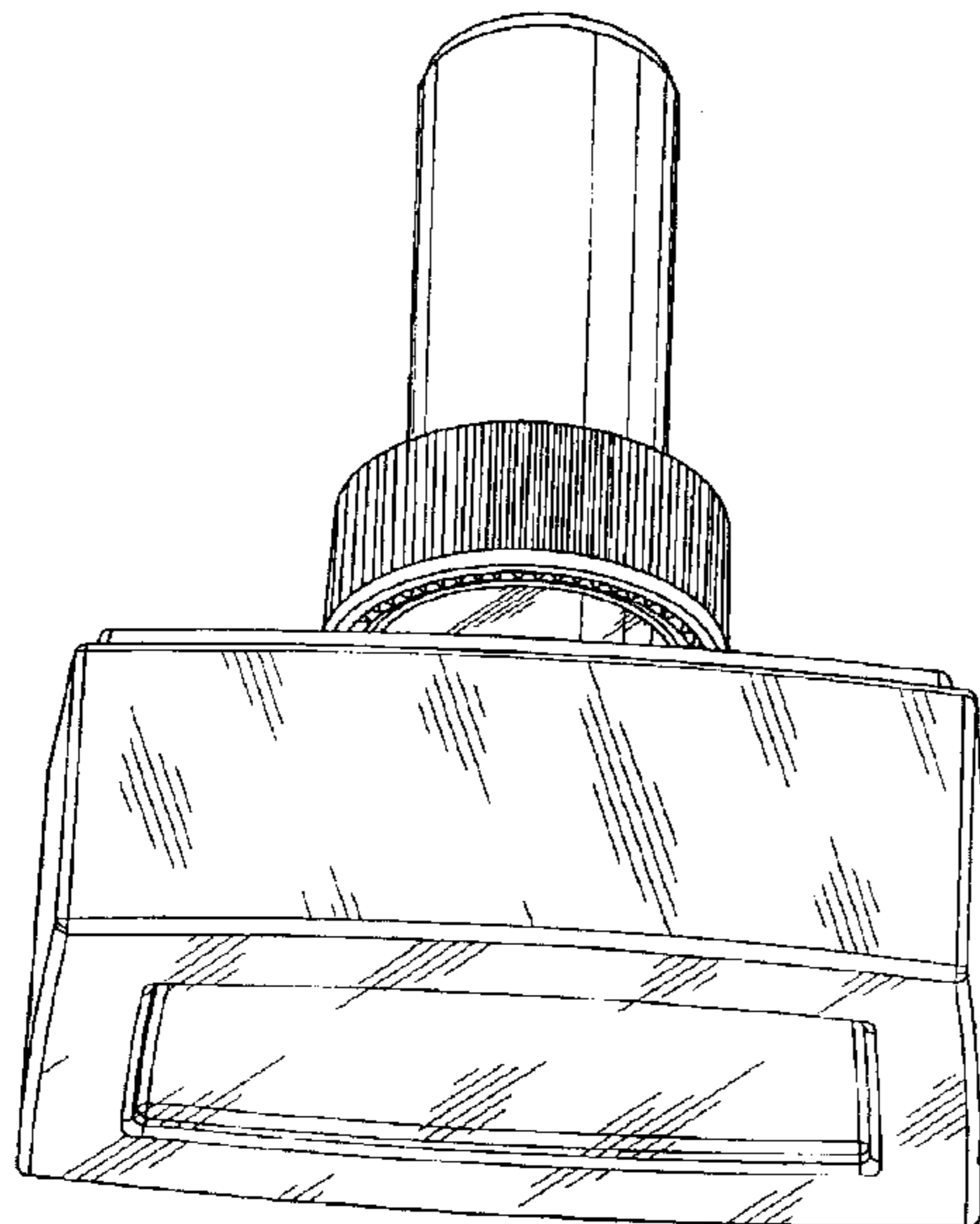
(57) **CLAIM**

The ornamental design for a component for evaporators of active substances, as shown.

**DESCRIPTION**

FIG. 1 is a first perspective view of the instant invention;  
FIG. 2 is a second perspective view thereof;  
FIG. 3 is a rear elevational view thereof;  
FIG. 4 is a top plan view thereof;  
FIG. 5 is a left side elevational view thereof; and  
FIG. 6 is a bottom plan view thereof;  
FIG. 7 is a right side elevational view thereof; and,  
FIG. 8 is a front elevational view thereof.

**1 Claim, 8 Drawing Sheets**



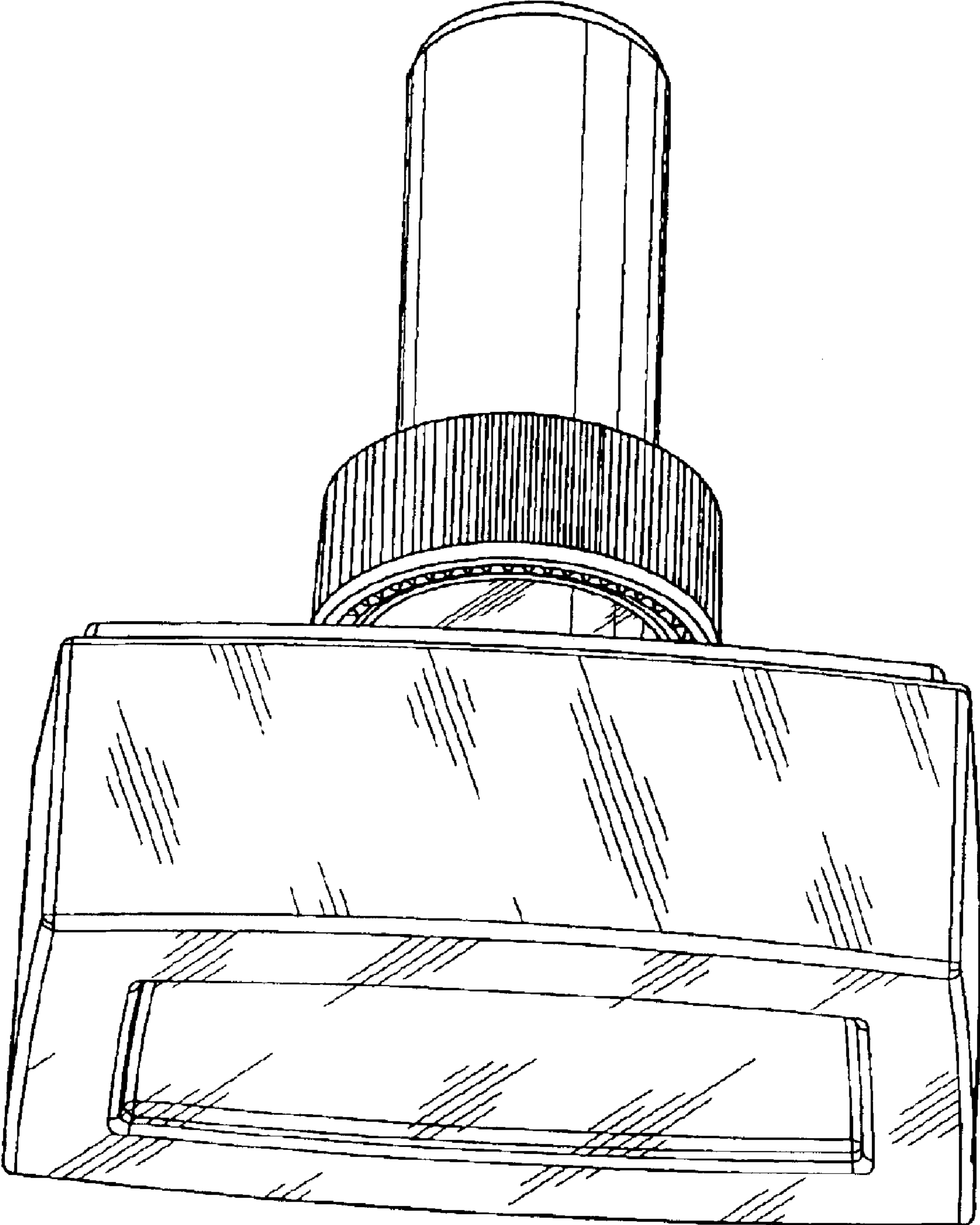


FIG. 1

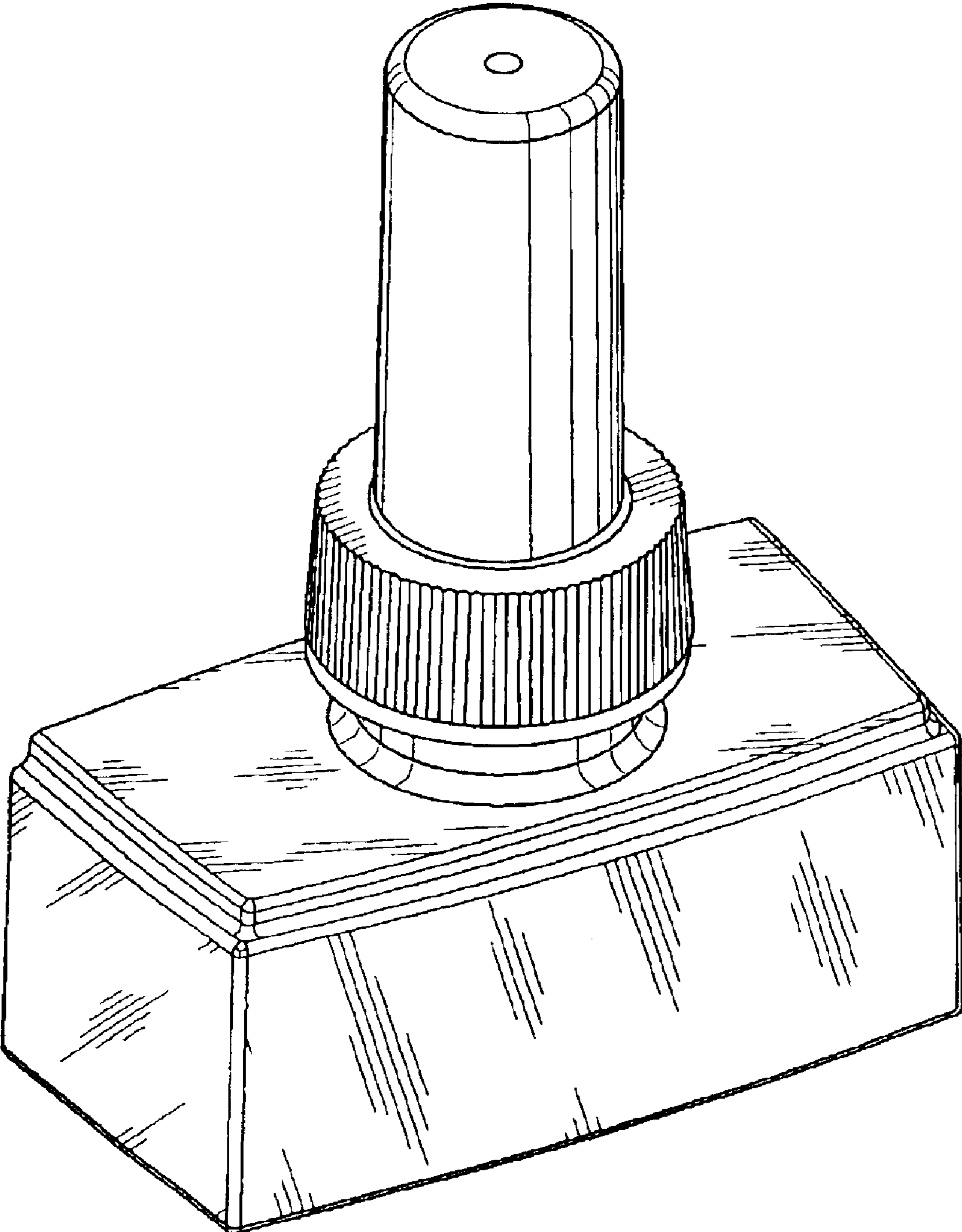


FIG. 2

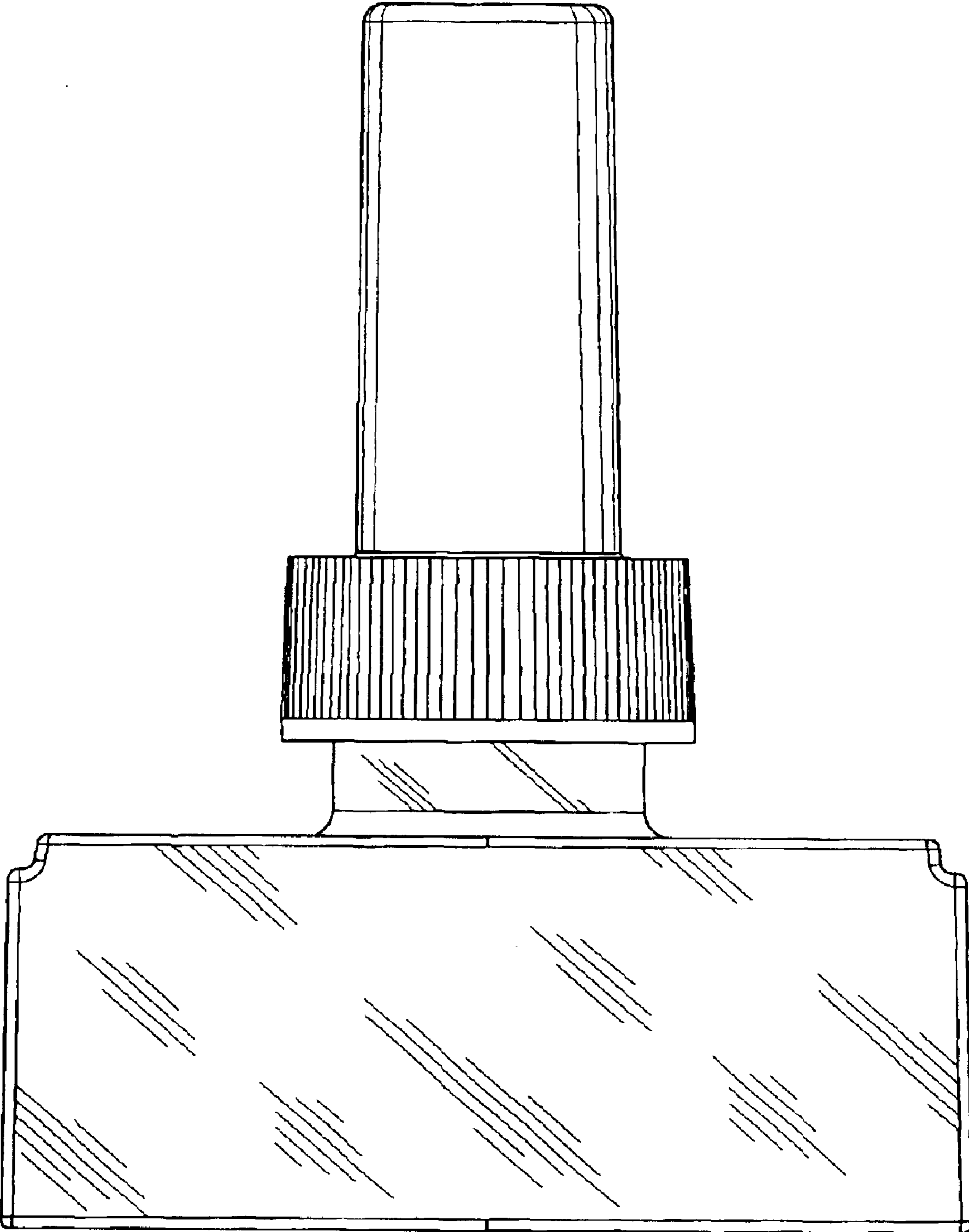


FIG. 3

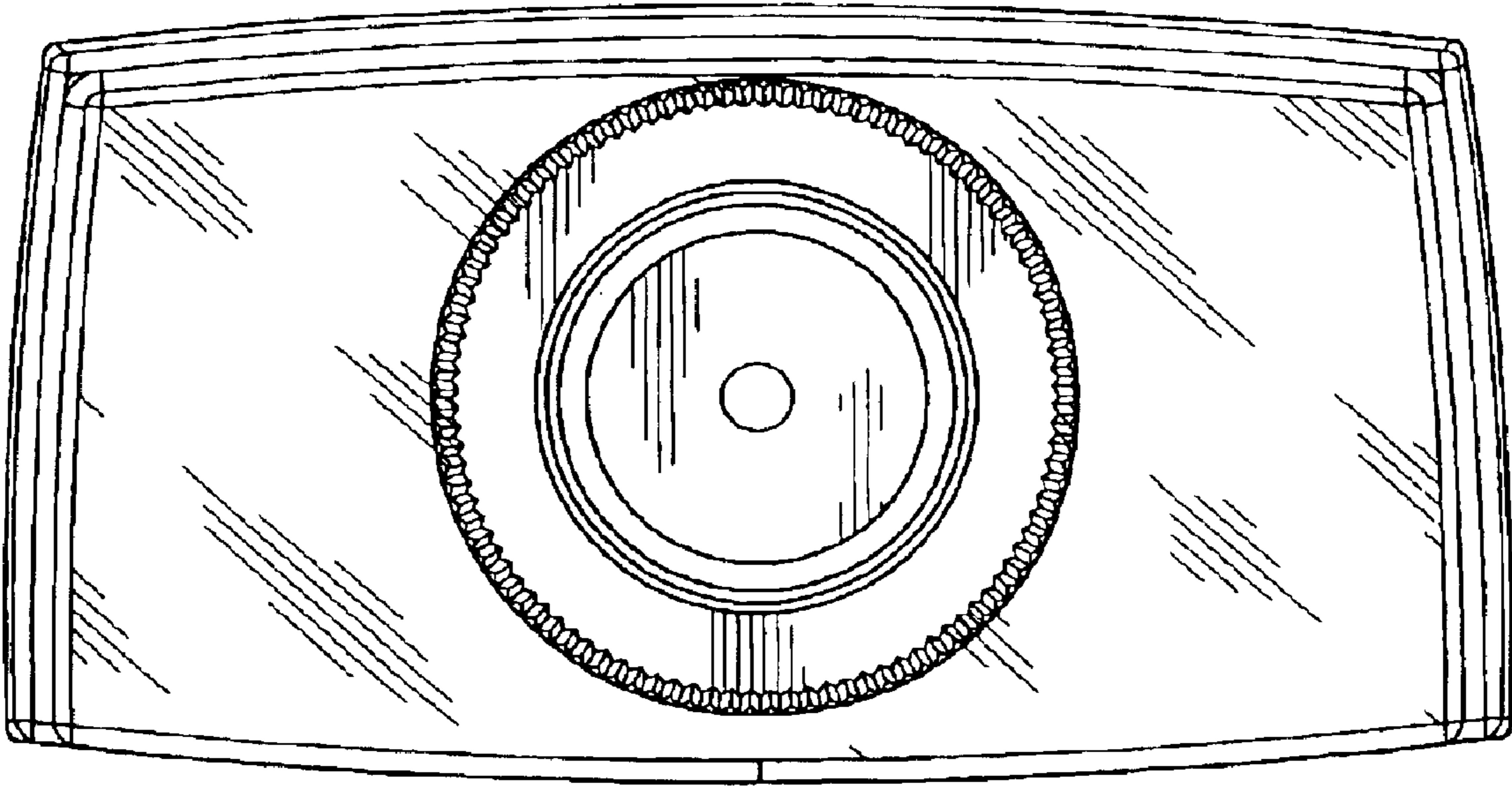


FIG. 4

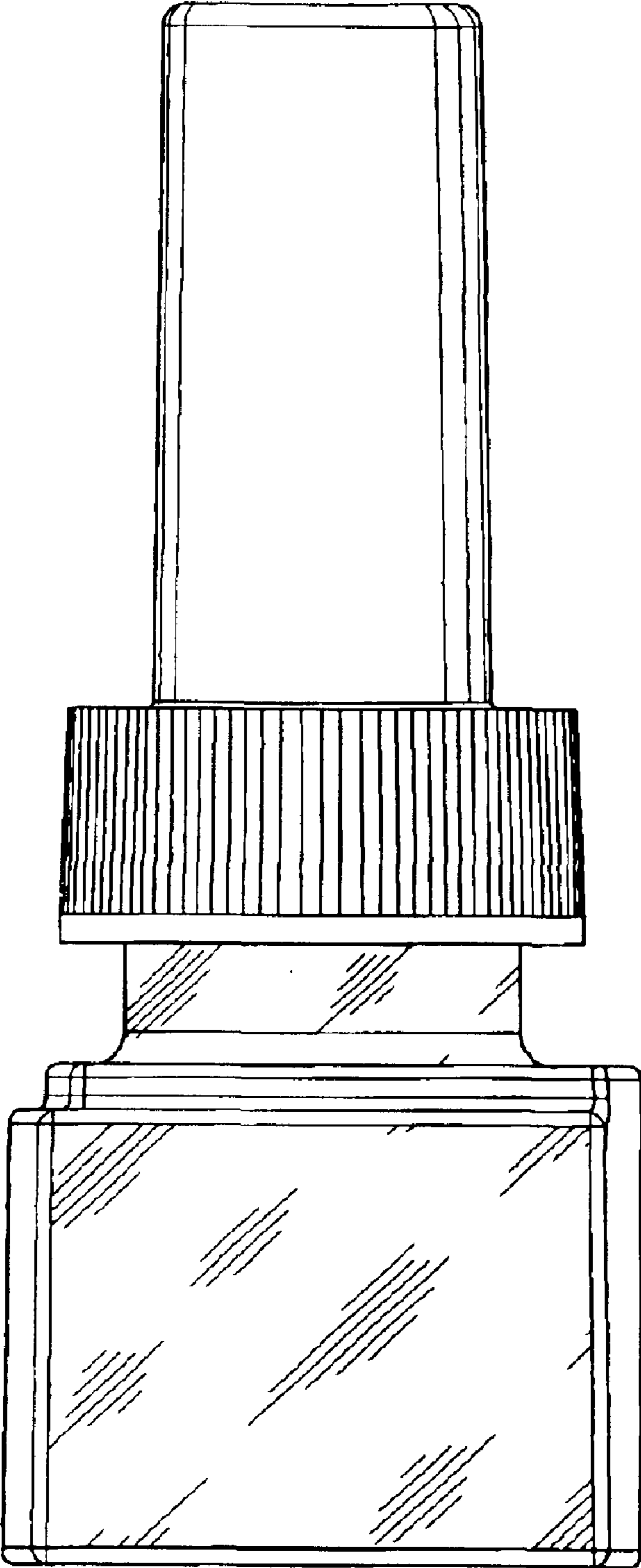


FIG. 5

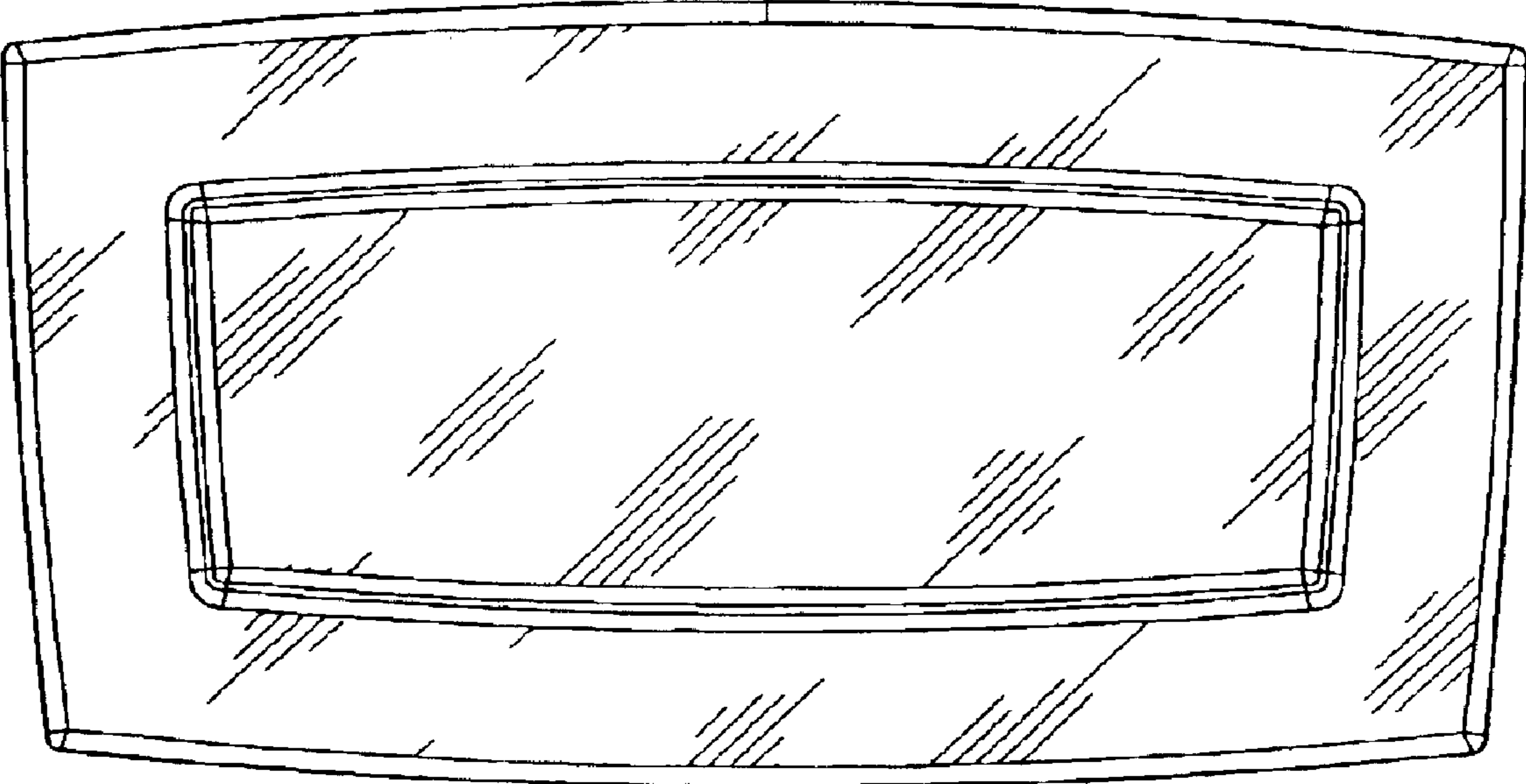


FIG. 6

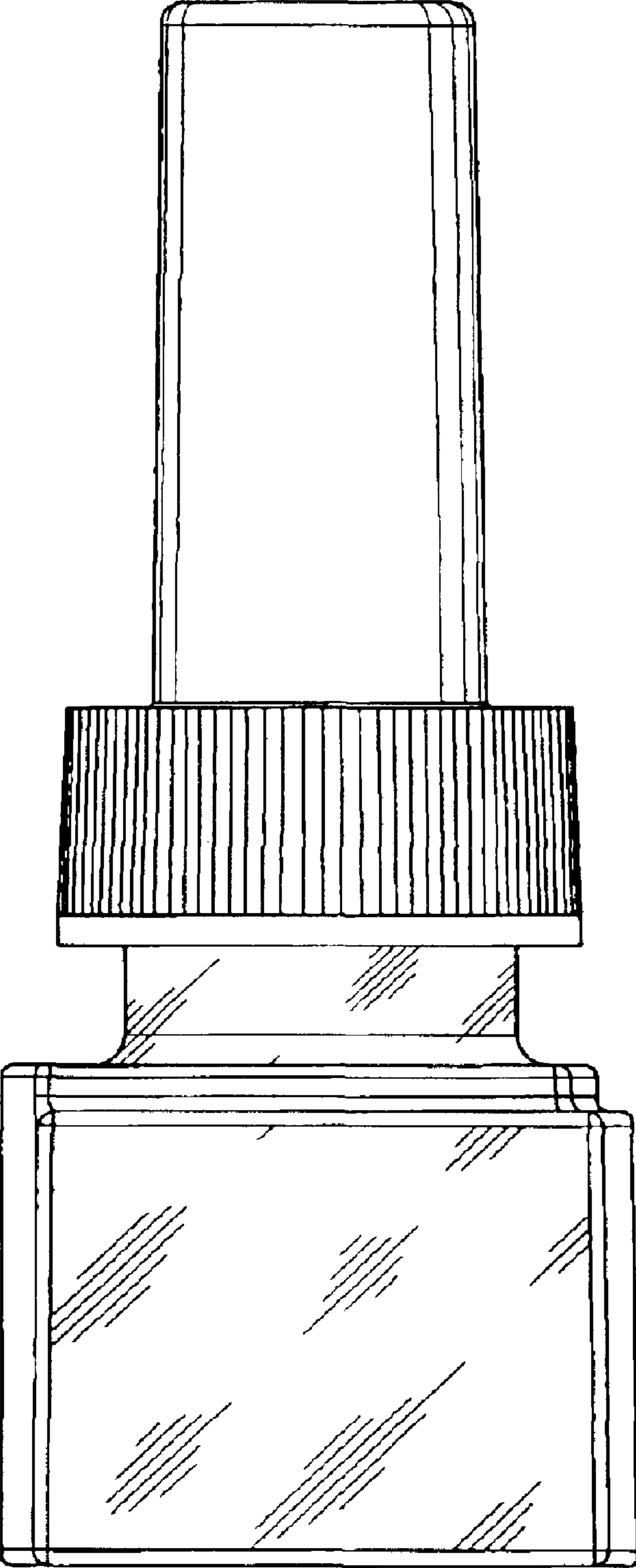


FIG. 7



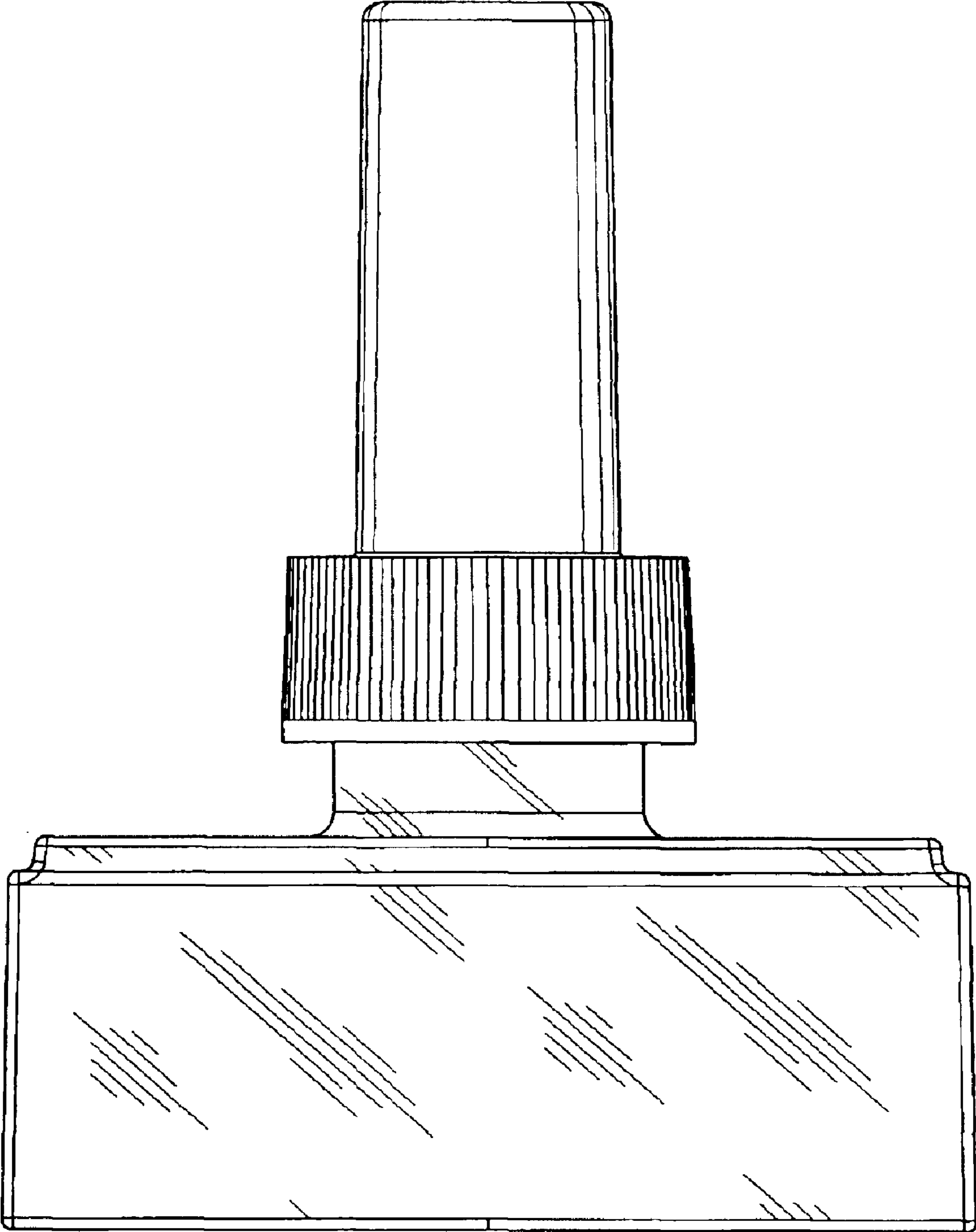


FIG. 8