

US00D492018S1

(12) **United States Design Patent**  
**Schröder**

(10) **Patent No.:** **US D492,018 S**  
(45) **Date of Patent:** **\*\* Jun. 22, 2004**

(54) **PURIFYING APPARATUS**

D432,224 S \* 10/2000 Hautmann et al. .... D23/366  
D475,444 S \* 6/2003 Laferriere et al. .... D23/364

(76) Inventor: **Werner Schröder**, Beckedorfer Strabe  
1, 31542 Bad Nenndorf (DE)

\* cited by examiner

(\*\*) Term: **14 Years**

*Primary Examiner*—Lisa Lichtenstein  
(74) *Attorney, Agent, or Firm*—Shlesinger, Arkwright &  
Garvey LLP

(21) Appl. No.: **29/147,805**

(22) Filed: **Sep. 7, 2001**

(57) **CLAIM**

(30) **Foreign Application Priority Data**

The ornamental design for the purifying apparatus, as shown  
and described.

Mar. 8, 2001 (DE) ..... 4 01 02 552

**DESCRIPTION**

(51) **LOC (7) Cl.** ..... **23-04**

(52) **U.S. Cl.** ..... **D23/364**

(58) **Field of Search** ..... D23/364, 366–369;  
261/DIG. 65; 239/53–60; 96/97

FIG. 1 is a front perspective view of a purifying apparatus  
showing my new design;

FIG. 2 is another front perspective view thereof; and,  
FIG. 3 is a top perspective view thereof.

The broken line showing of environmental structure is for  
illustrative purposes only and forms no part of the claimed  
design.

(56) **References Cited**

**U.S. PATENT DOCUMENTS**

D370,253 S \* 5/1996 Yuen ..... D23/355  
D380,538 S \* 7/1997 Muller et al. .... D23/367

**1 Claim, 3 Drawing Sheets**

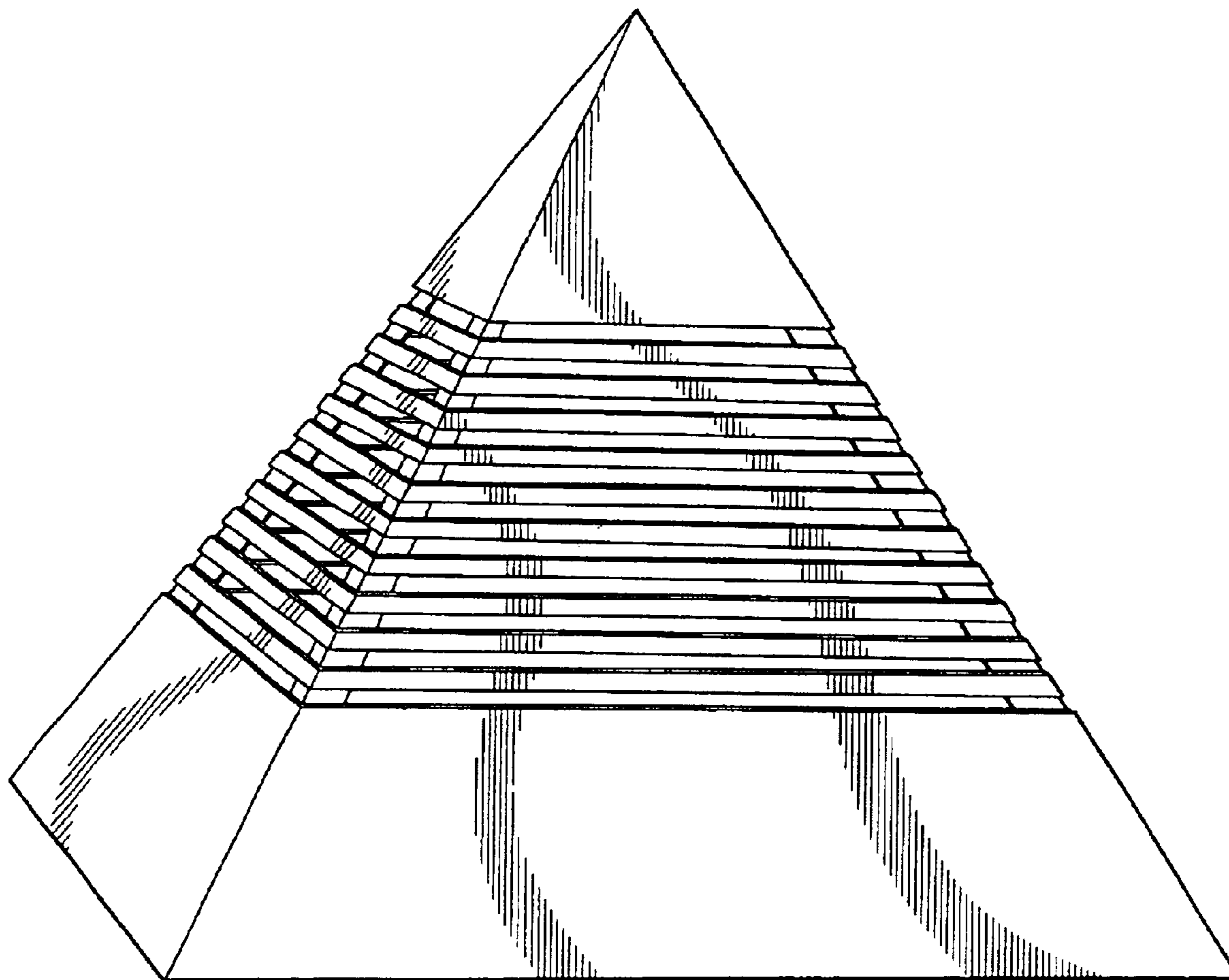


FIG. 1

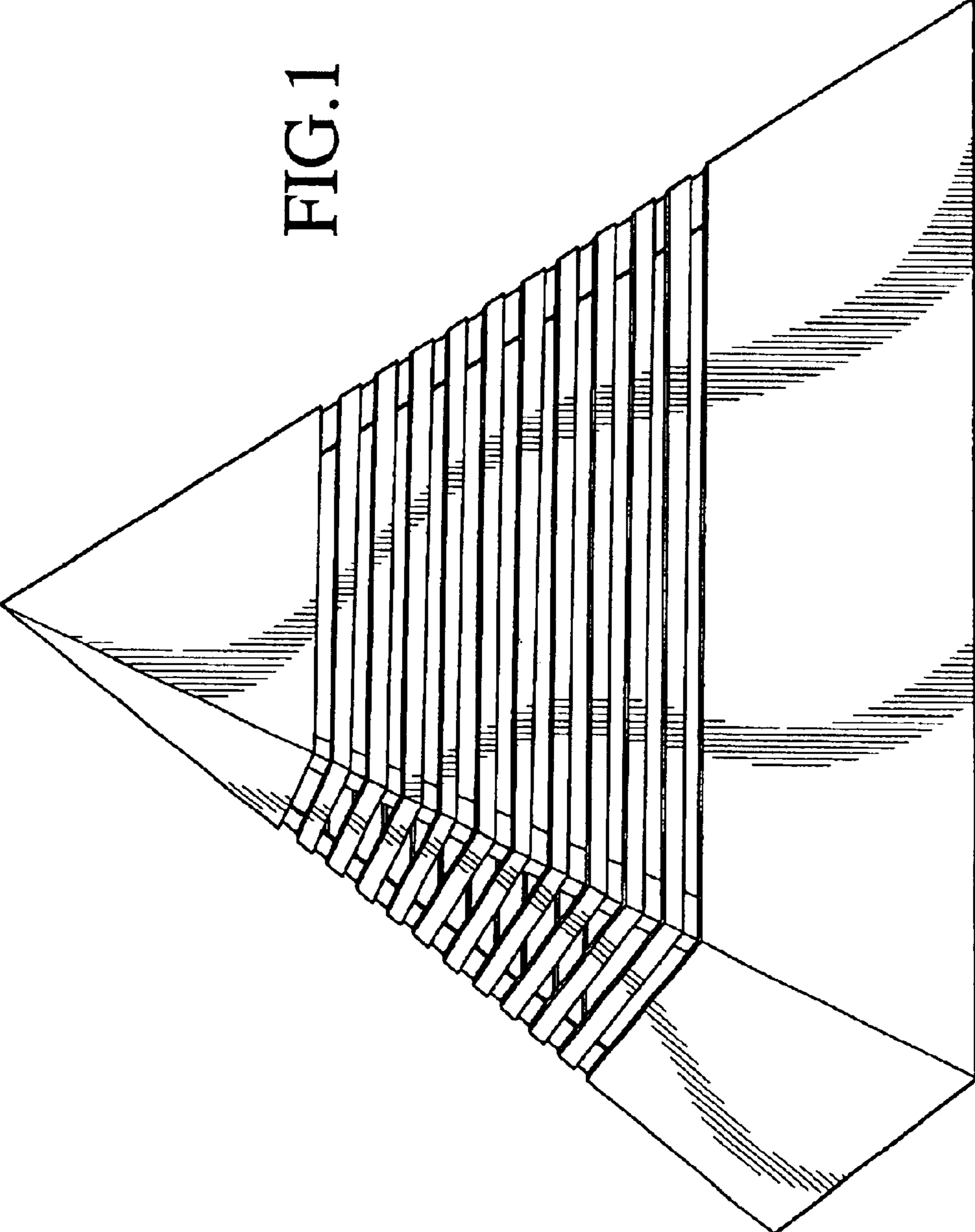
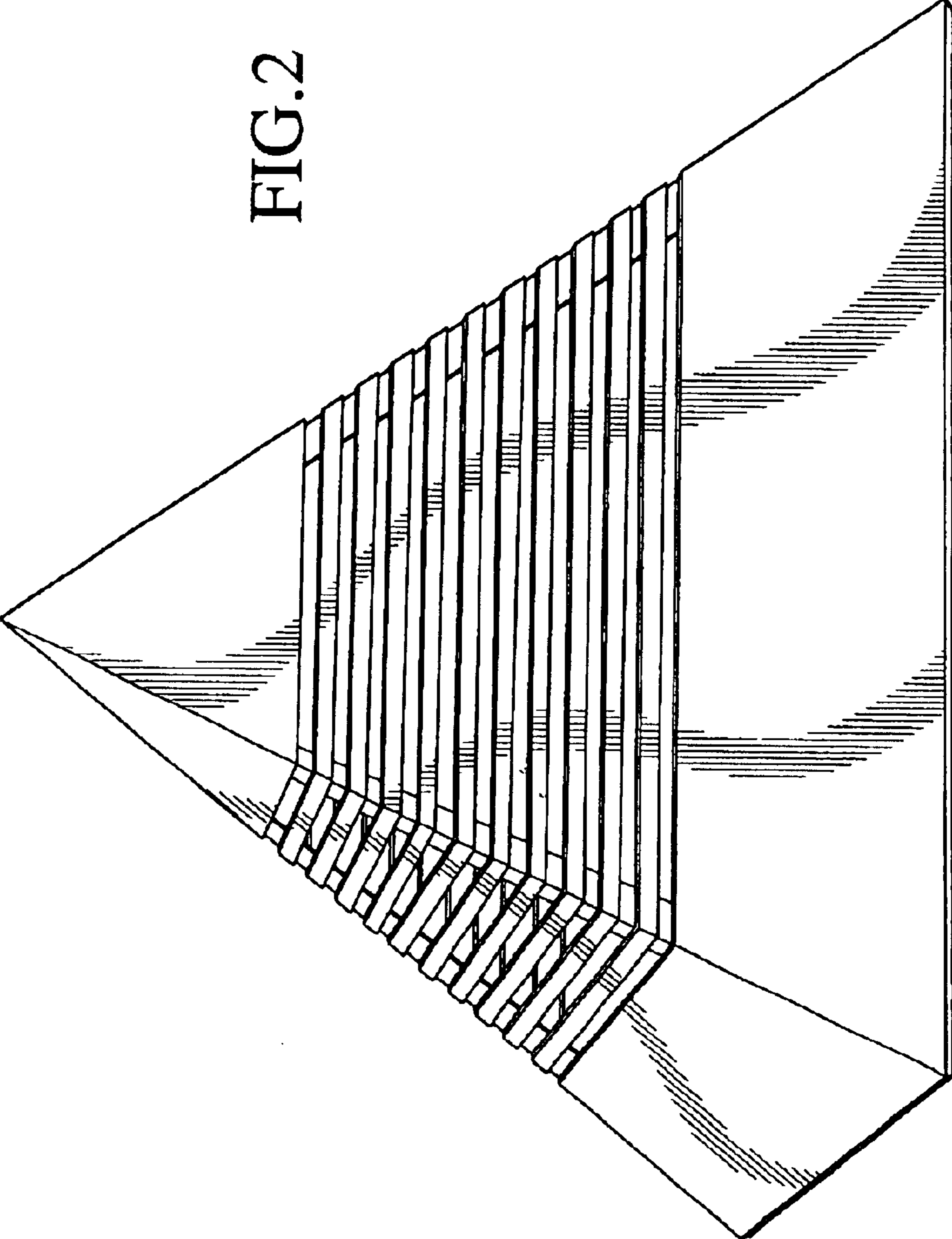


FIG. 2



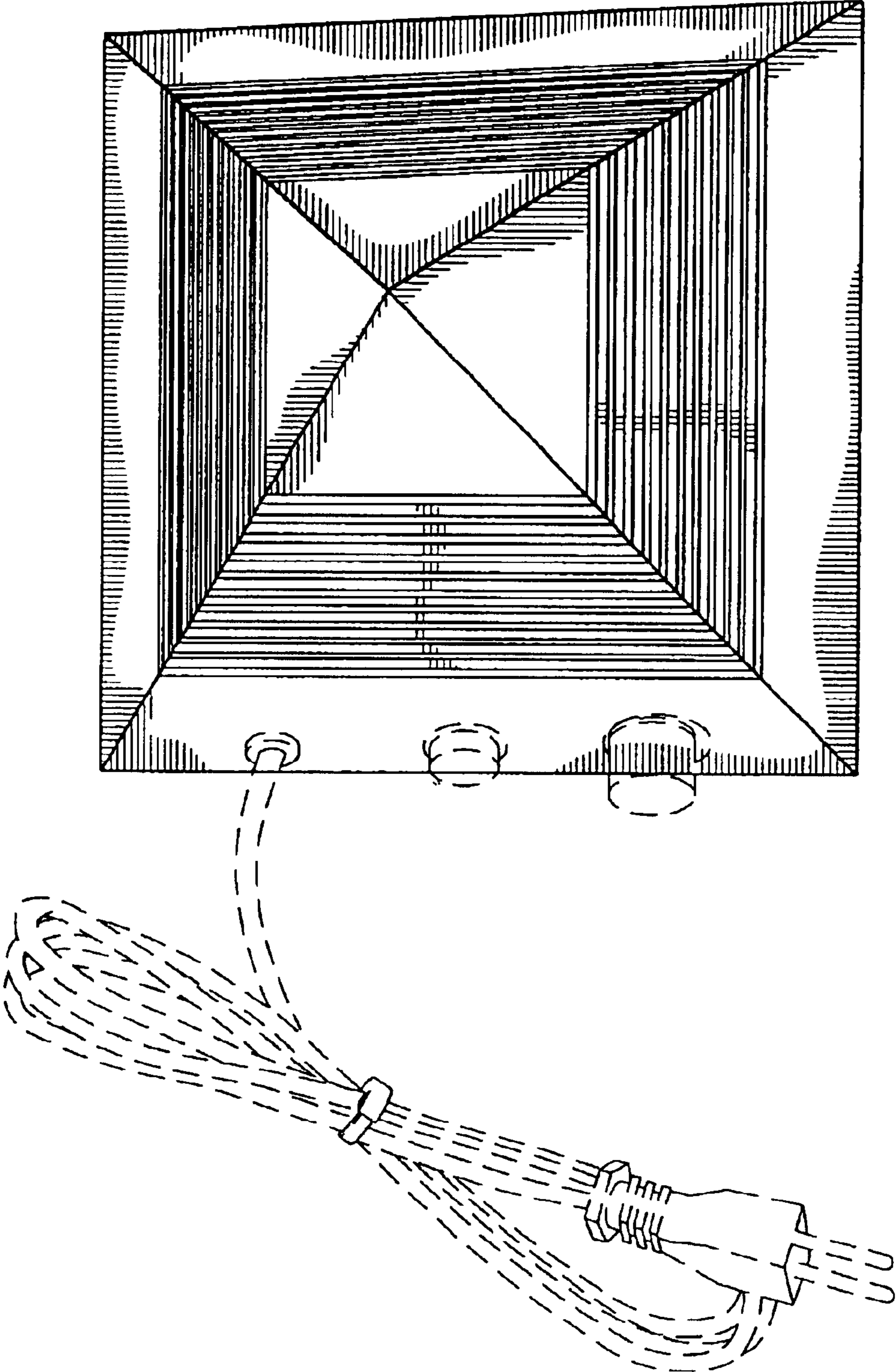


FIG.3