

US00D492015S1

(12) **United States Design Patent**  
**Kergoet**

(10) **Patent No.:** **US D492,015 S**  
(45) **Date of Patent:** **\*\* Jun. 22, 2004**

- (54) **LAVATORY**
- (75) **Inventor:** **Francois Kergoet**, Malakoff (FR)
- (73) **Assignee:** **Kohler France SAS**, Paris (FR)
- (\*\*) **Term:** **14 Years**
- (21) **Appl. No.:** **29/178,208**
- (22) **Filed:** **Mar. 21, 2003**
- (51) **LOC (7) Cl.** ..... **23-02**
- (52) **U.S. Cl.** ..... **D23/293.1**
- (58) **Field of Search** ..... D23/270-271,  
D23/273, 284-285, 290-292, 293.1, 303,  
308; 4/664-665, 619, 522, 623-624, 639-642,  
650-651, 660-661

- (56) **References Cited**
- U.S. PATENT DOCUMENTS**
- D246,050 S \* 10/1977 Garasi ..... D23/293.1
- OTHER PUBLICATIONS**
- Kohler Catalog, p. 14.4, K-2273 Vessels Bateau Lavatory.
- Kohler Catalog, p. 14.21, K-2269-8 Memoirs Vanity Top Lavatory.

Jacob Delafon Catalog, Odéon Lavatory.

\* cited by examiner

*Primary Examiner*—Louis S. Zarfaz  
*Assistant Examiner*—Robert A Delehanty  
(74) *Attorney, Agent, or Firm*—Ladas & Parry

(57) **CLAIM**

The ornamental design for a lavatory, as shown and described.

**DESCRIPTION**

FIG. 1 is a perspective view from the left side and above of the lavatory showing my new design;  
FIG. 2 is a top plan view thereof;  
FIG. 3 is a front elevational view thereof;  
FIG. 4 is a left side elevational view thereof, the right side elevational view being a mirror image thereof;  
FIG. 5 is a rear elevational view thereof;  
FIG. 6 is a bottom view thereof; and,  
FIG. 7 is a vertical sectional view thereof on section line 7—7 shown in FIG. 2.

**1 Claim, 3 Drawing Sheets**

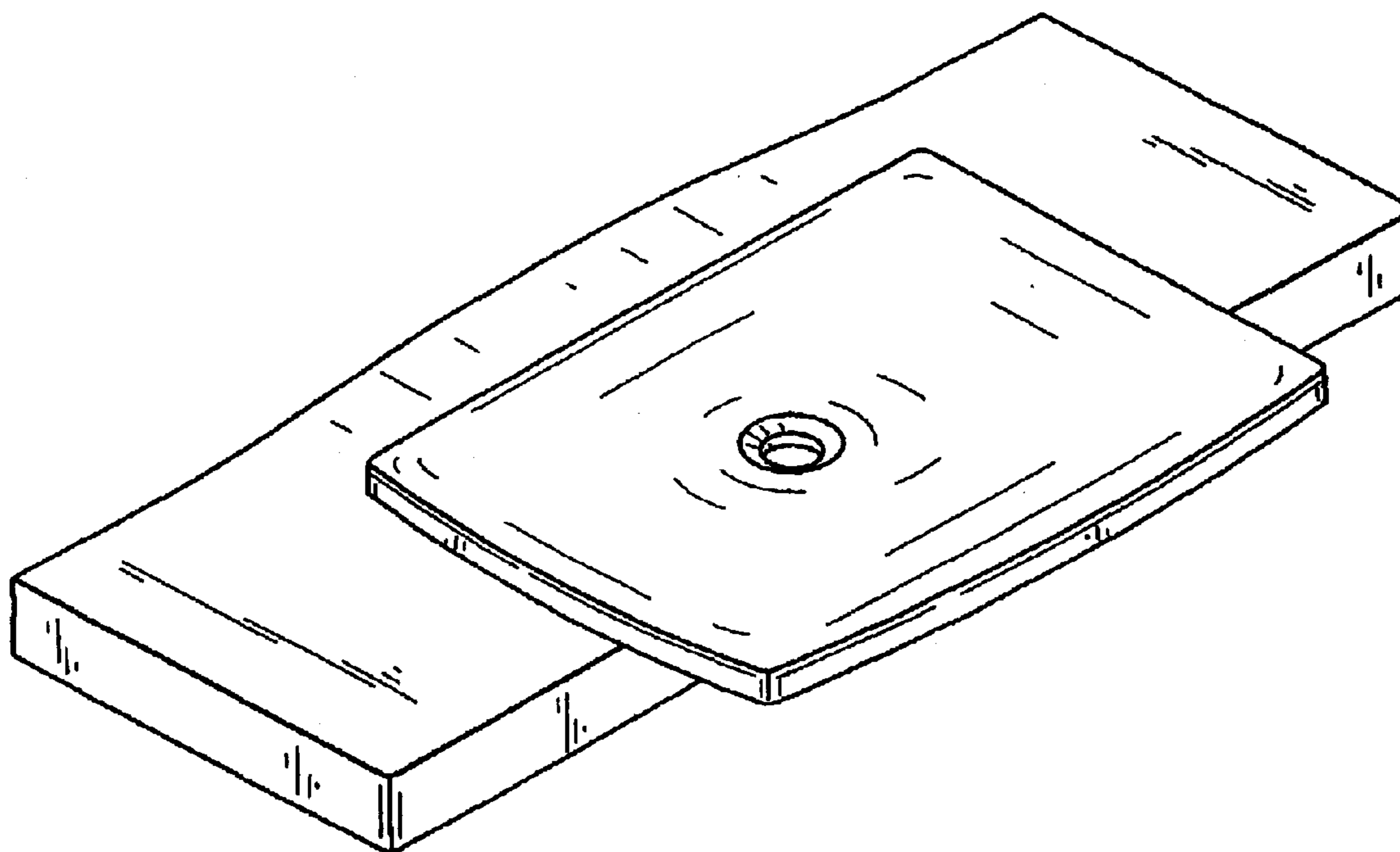
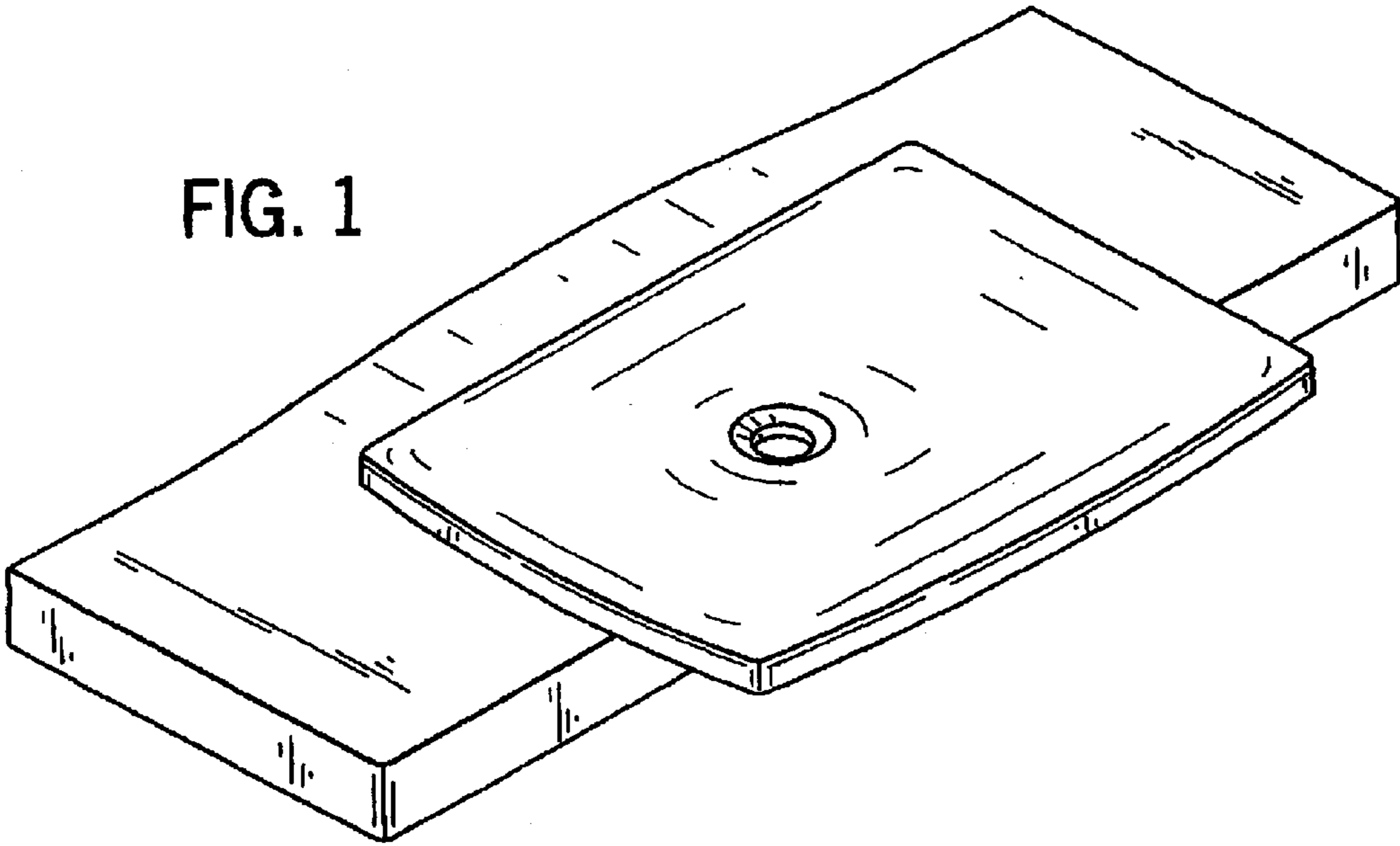
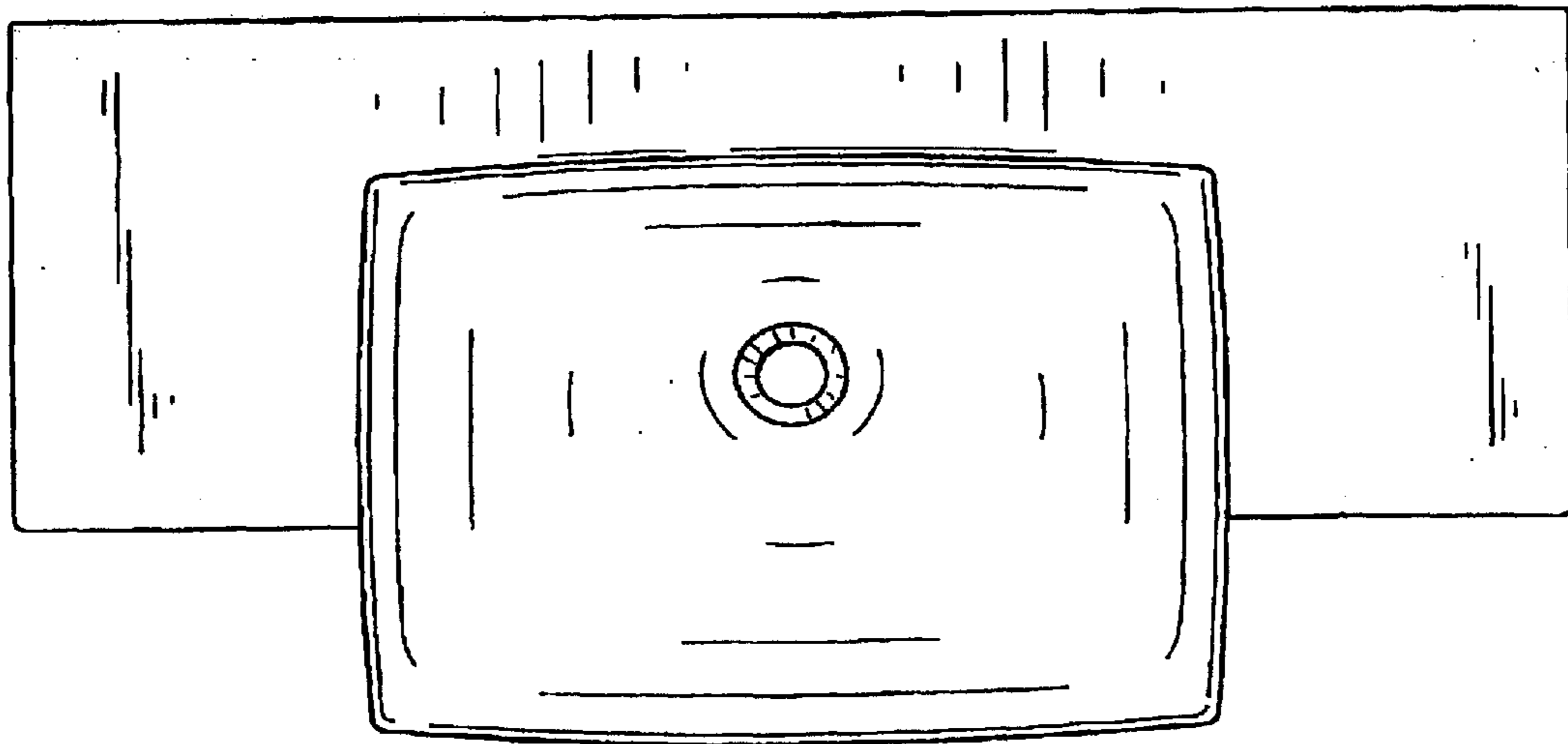


FIG. 1



7a



7b

FIG. 2

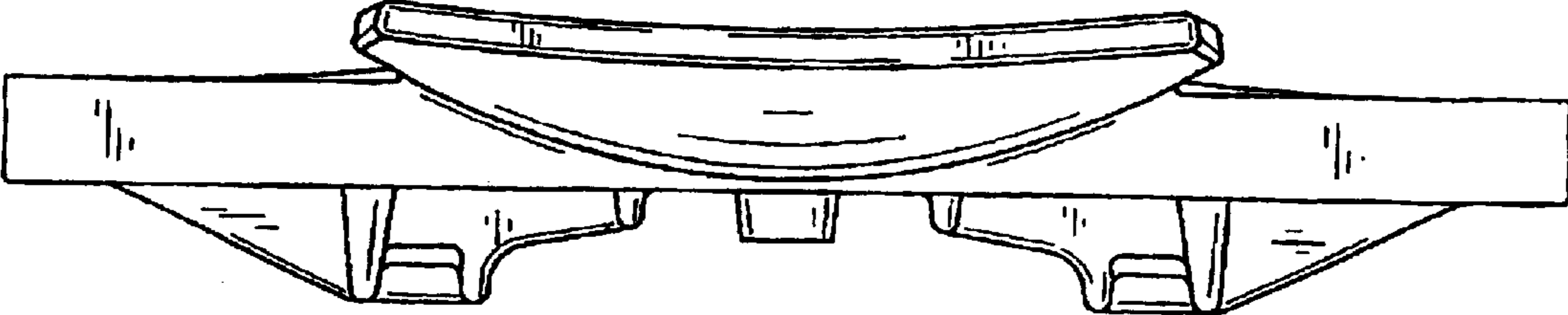


FIG. 3

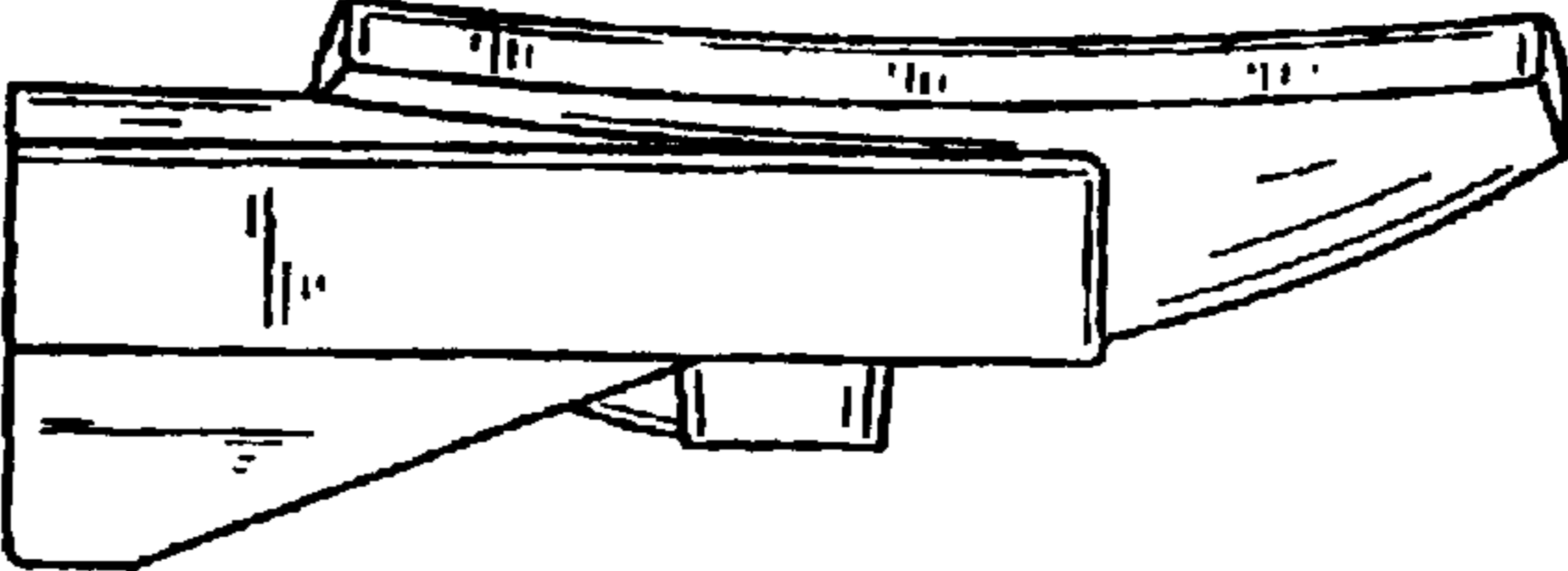


FIG. 4

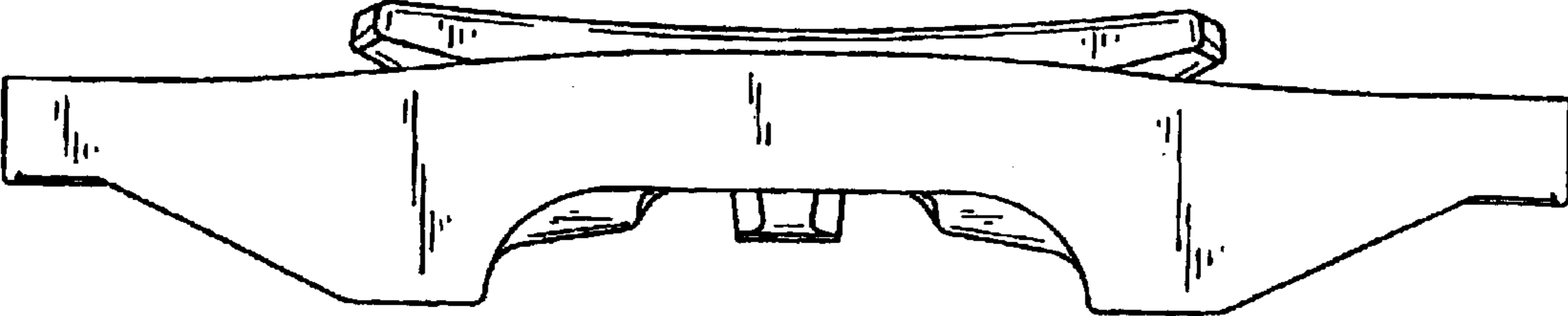


FIG. 5

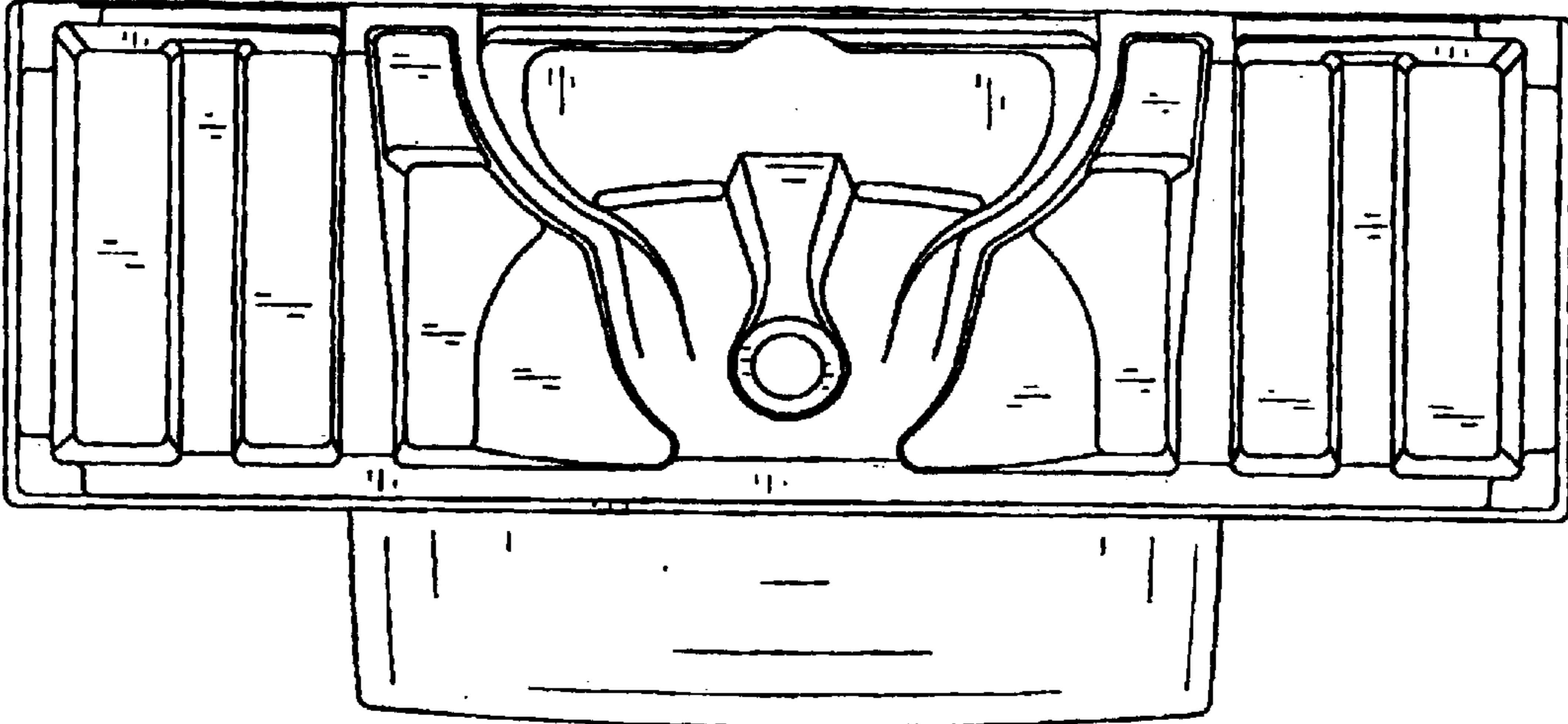


FIG. 6

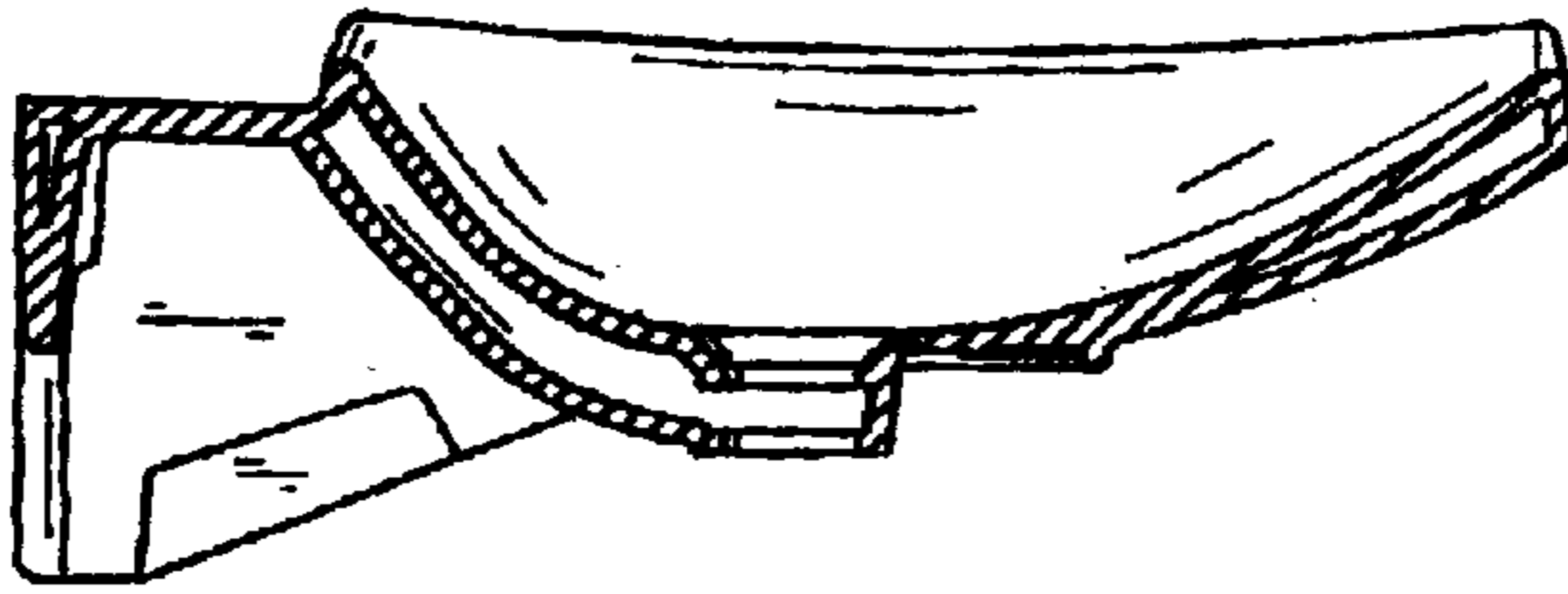


FIG. 7