

US00D492013S1

(12) **United States Design Patent**
Citterio

(10) **Patent No.:** **US D492,013 S**
(45) **Date of Patent:** **** Jun. 22, 2004**

(54) **SANITARY WALL FAUCET**

(75) **Inventor:** **Antonio Citterio**, Milan (IT)

(73) **Assignee:** **Hansgrohe AG**, Schiltach (DE)

(**) **Term:** **14 Years**

(21) **Appl. No.:** **29/178,351**

(22) **Filed:** **Mar. 25, 2003**

(30) **Foreign Application Priority Data**

Sep. 25, 2002 (DE) 4 02 08 048

(51) **LOC (7) Cl.** **23-01**

(52) **U.S. Cl.** **D23/255**

(58) **Field of Search** D23/250–257;
4/671–678; 137/801

(56) **References Cited**

U.S. PATENT DOCUMENTS

D106,319 S	*	10/1937	Morgan	D23/243
D231,227 S	*	4/1974	Hill	D23/257
D301,056 S	*	5/1989	Paul	D23/242
D429,316 S	*	8/2000	McKeone	D23/238
D477,859 S	*	7/2003	Citterio	D23/241

OTHER PUBLICATIONS

“Groheart” catalog, pp. 66 and 67, Mar., 2001.

“Dornbracht” catalog, 2 pages, 2001.

* cited by examiner

Primary Examiner—Louis S. Zarfes

Assistant Examiner—Gregory Andoll

(74) *Attorney, Agent, or Firm*—Duane Morris LLP

(57) **CLAIM**

The ornamental design for a sanitary wall faucet, as shown and described.

DESCRIPTION

FIG. 1: is a side perspective view of the sanitary wall faucet showing my new design;

FIG. 2: is a front elevation view thereof;

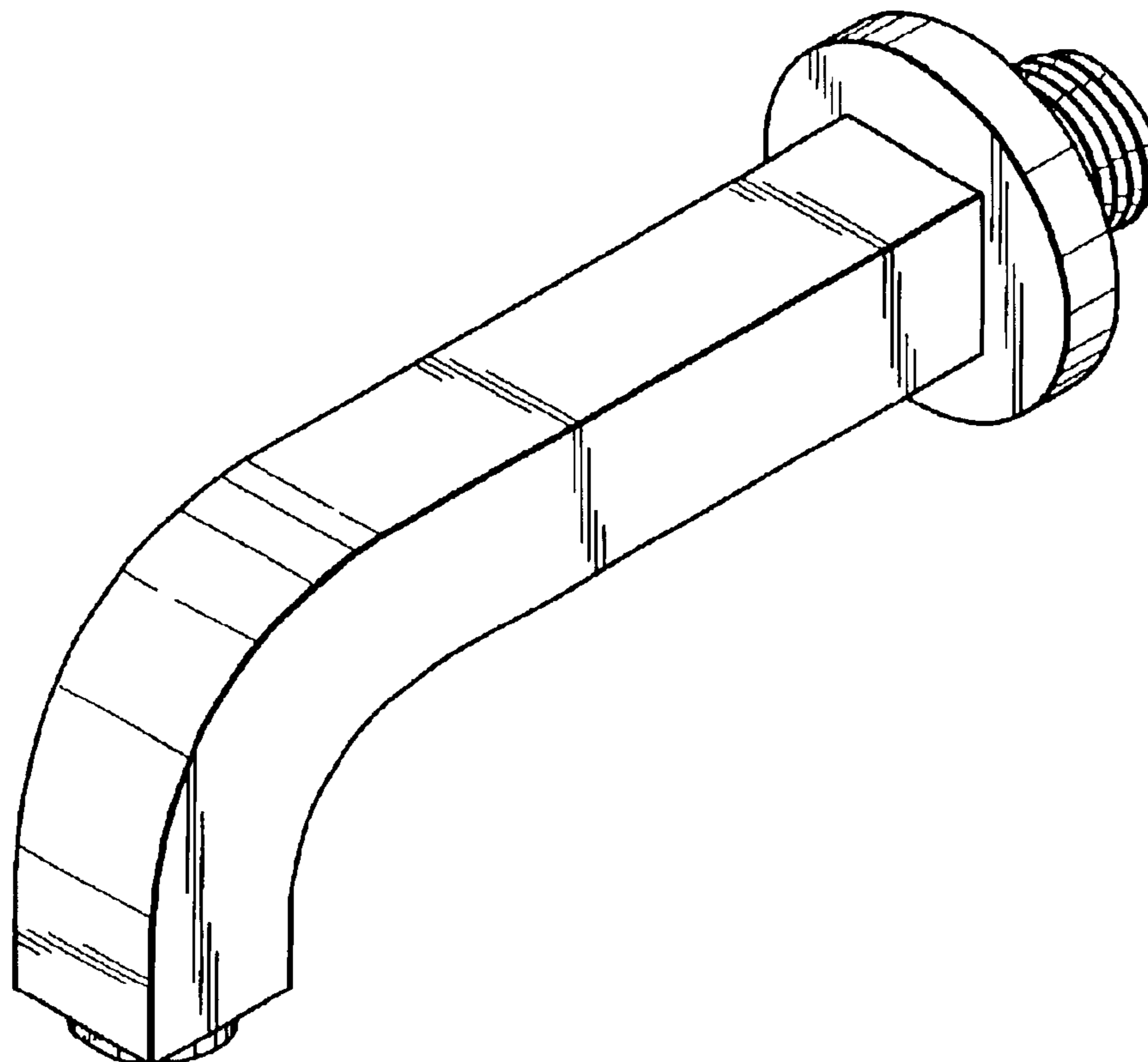
FIG. 3: is a rear elevation view thereof;

FIG. 4: is a top plan view thereof;

FIG. 5: is a side elevation view thereof (the opposite side being a mirror image); and,

FIG. 6: is a bottom plan view thereof.

1 Claim, 2 Drawing Sheets



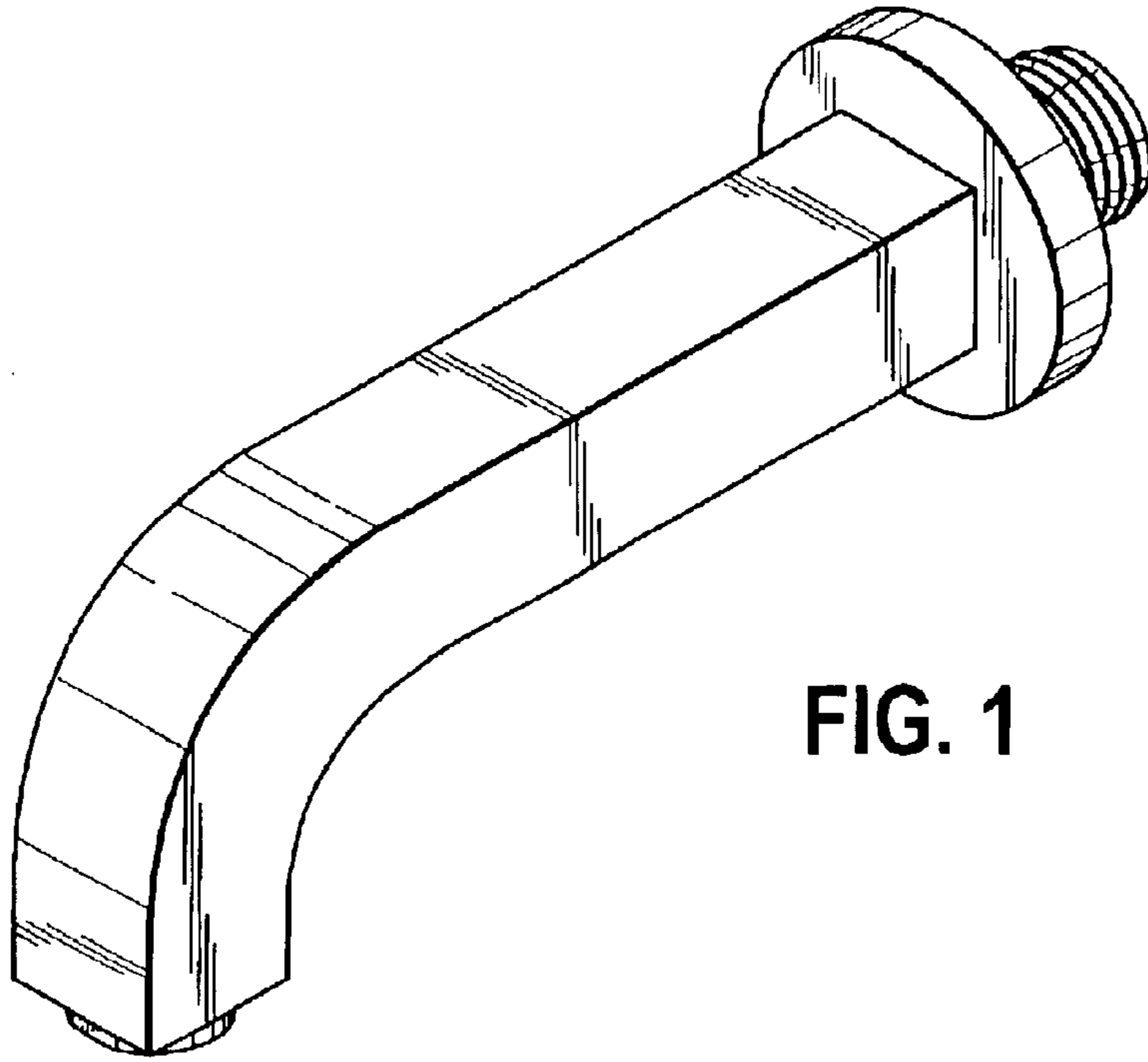


FIG. 1

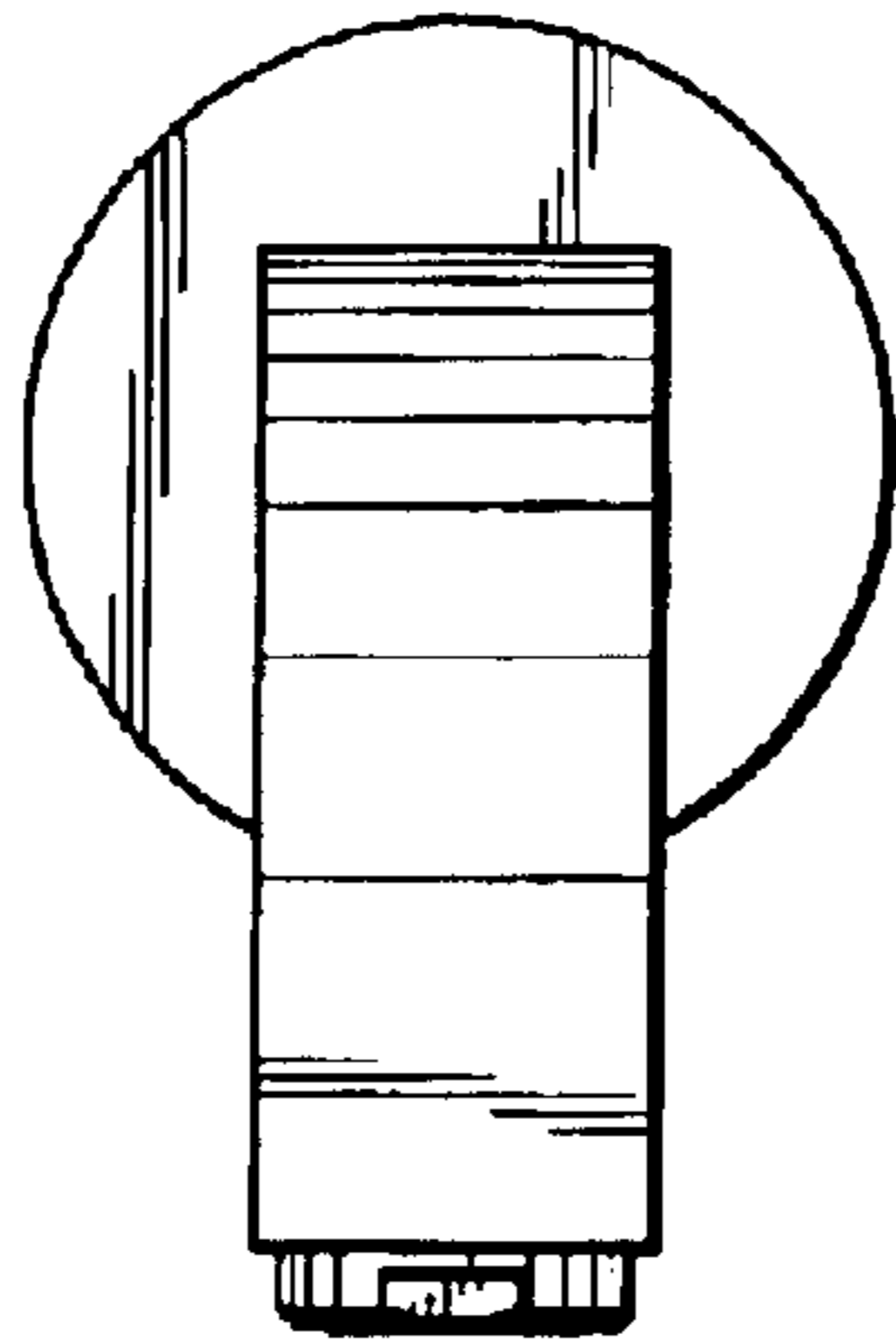


FIG. 2

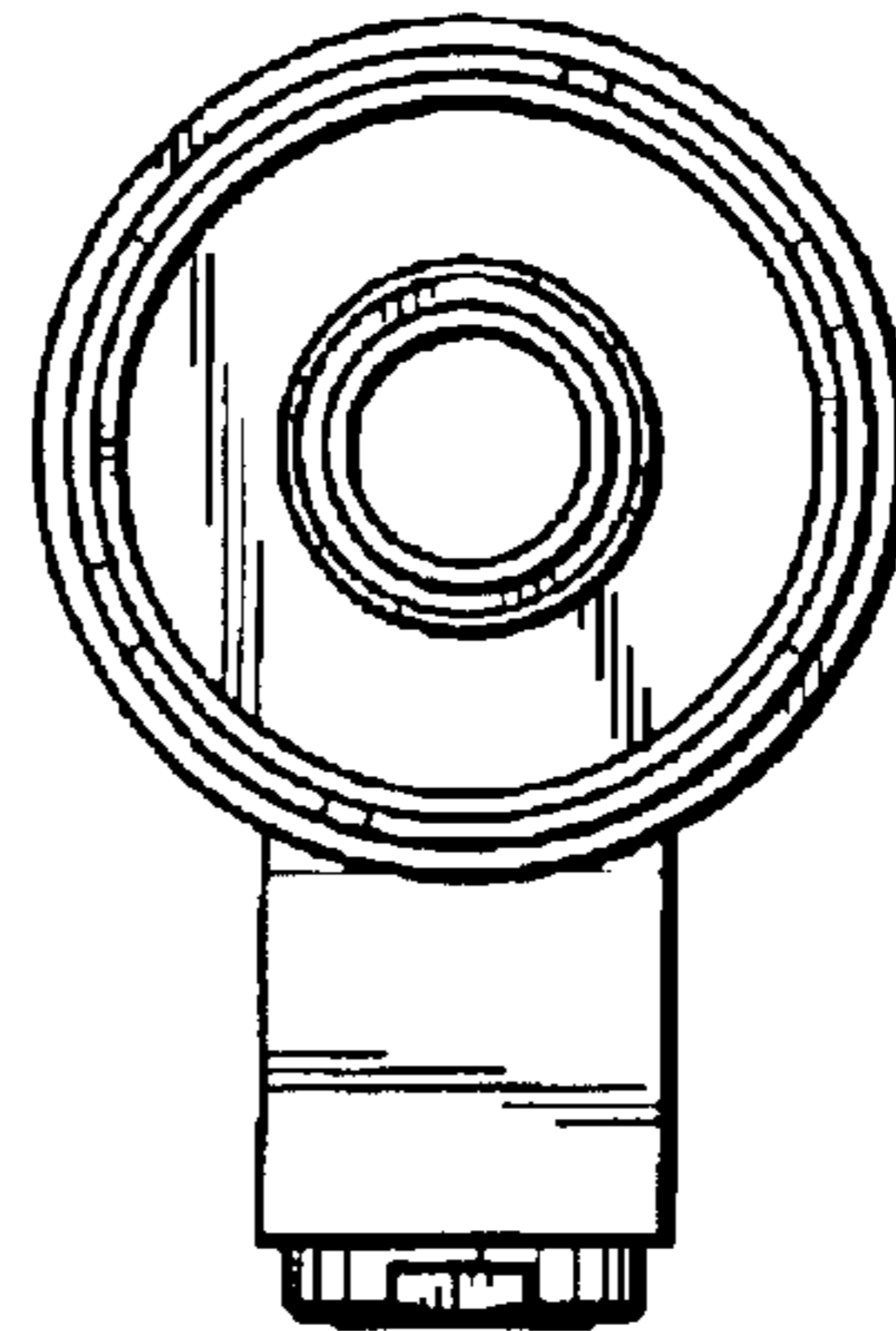


FIG. 3

FIG. 4

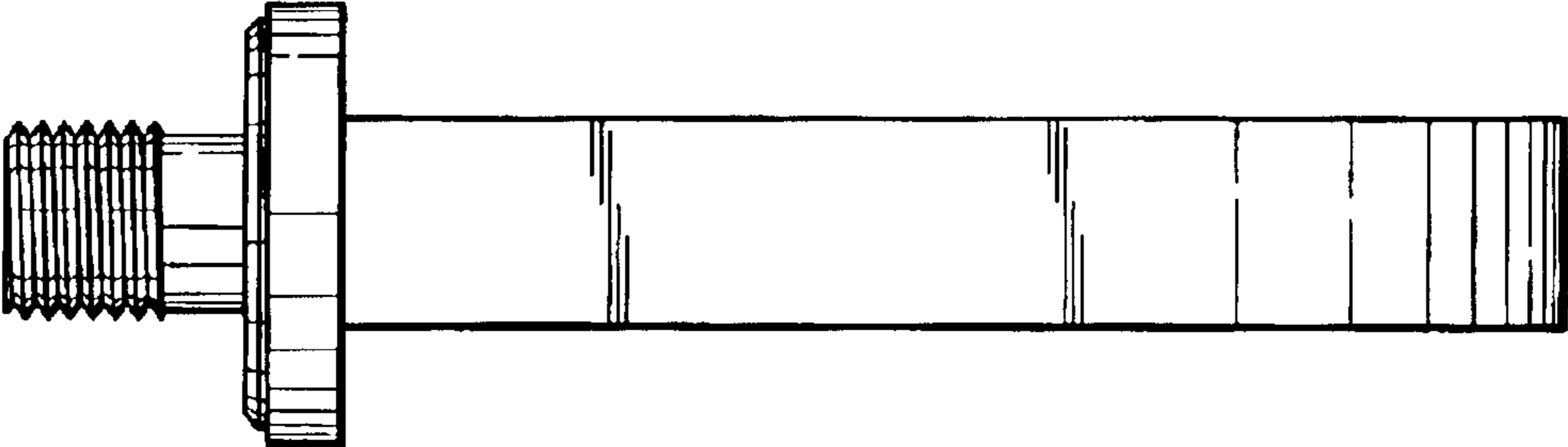


FIG. 5

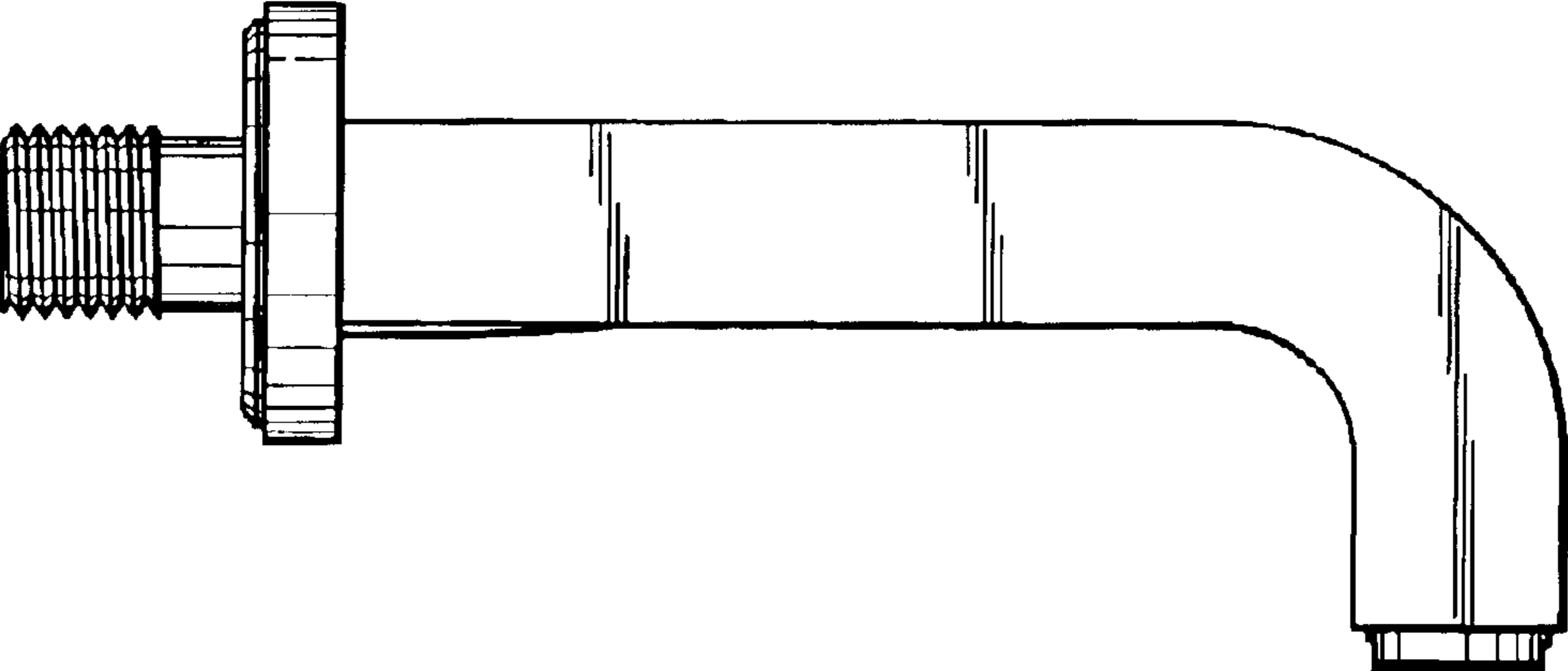


FIG. 6

