

US00D492012S1

(12) **United States Design Patent**
Lin

(10) **Patent No.:** **US D492,012 S**

(45) **Date of Patent:** **** Jun. 22, 2004**

(54) **FAUCET HOUSING**

D477,656 S * 7/2003 Svendsen et al. D23/249

(75) **Inventor:** **Shih-Hung Lin**, Taichung (TW)

* cited by examiner

(73) **Assignee:** **Globe Union Industrial Corp.**,
Taichung Export Processing Zone (TW)

Primary Examiner—Louis S. Zarfes

Assistant Examiner—Gregory Andoll

(74) *Attorney, Agent, or Firm*—Leong C. Lei

(**) **Term:** **14 Years**

(57) **CLAIM**

(21) **Appl. No.:** **29/183,711**

The ornamental design for a faucet housing, as shown and described.

(22) **Filed:** **Jun. 17, 2003**

DESCRIPTION

(51) **LOC (7) Cl.** **23-01**

(52) **U.S. Cl.** **D23/249**

(58) **Field of Search** D23/238–257;
D8/350–353; 4/675–678; 137/801

FIG. 1 is perspective view of a faucet housing showing my new design;

FIG. 2 is a front side elevation view thereof;

FIG. 3 is a rear side elevation view thereof;

FIG. 4 is a left side elevation view thereof;

FIG. 5 is a right side elevation view thereof;

FIG. 6 is a top plan view thereof; and,

FIG. 7 is a bottom plan view thereof.

(56) **References Cited**

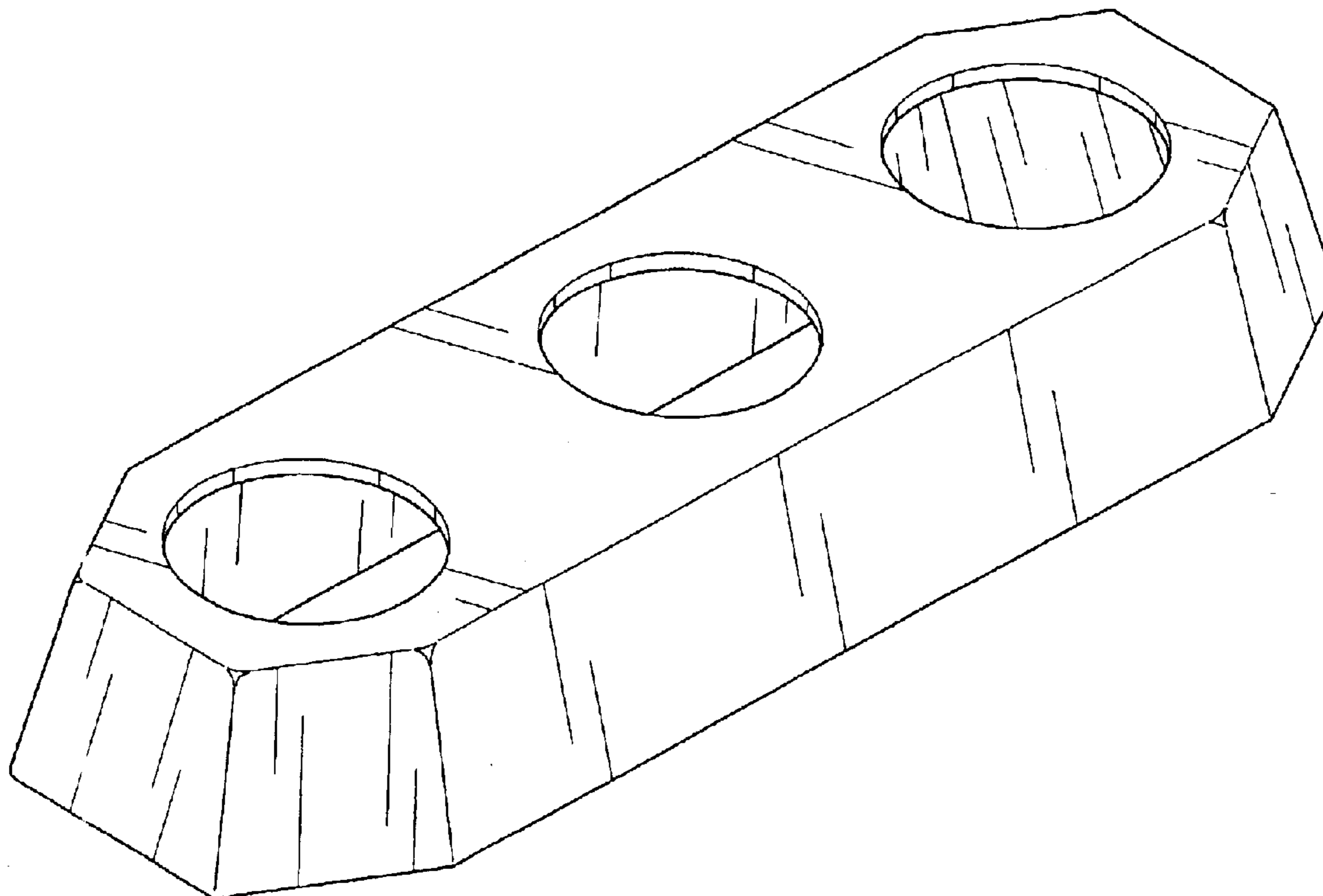
U.S. PATENT DOCUMENTS

D140,693 S * 3/1945 Judell D23/241

D284,687 S * 7/1986 Doman et al. D8/350

D461,527 S * 8/2002 Ko D23/241

1 Claim, 4 Drawing Sheets



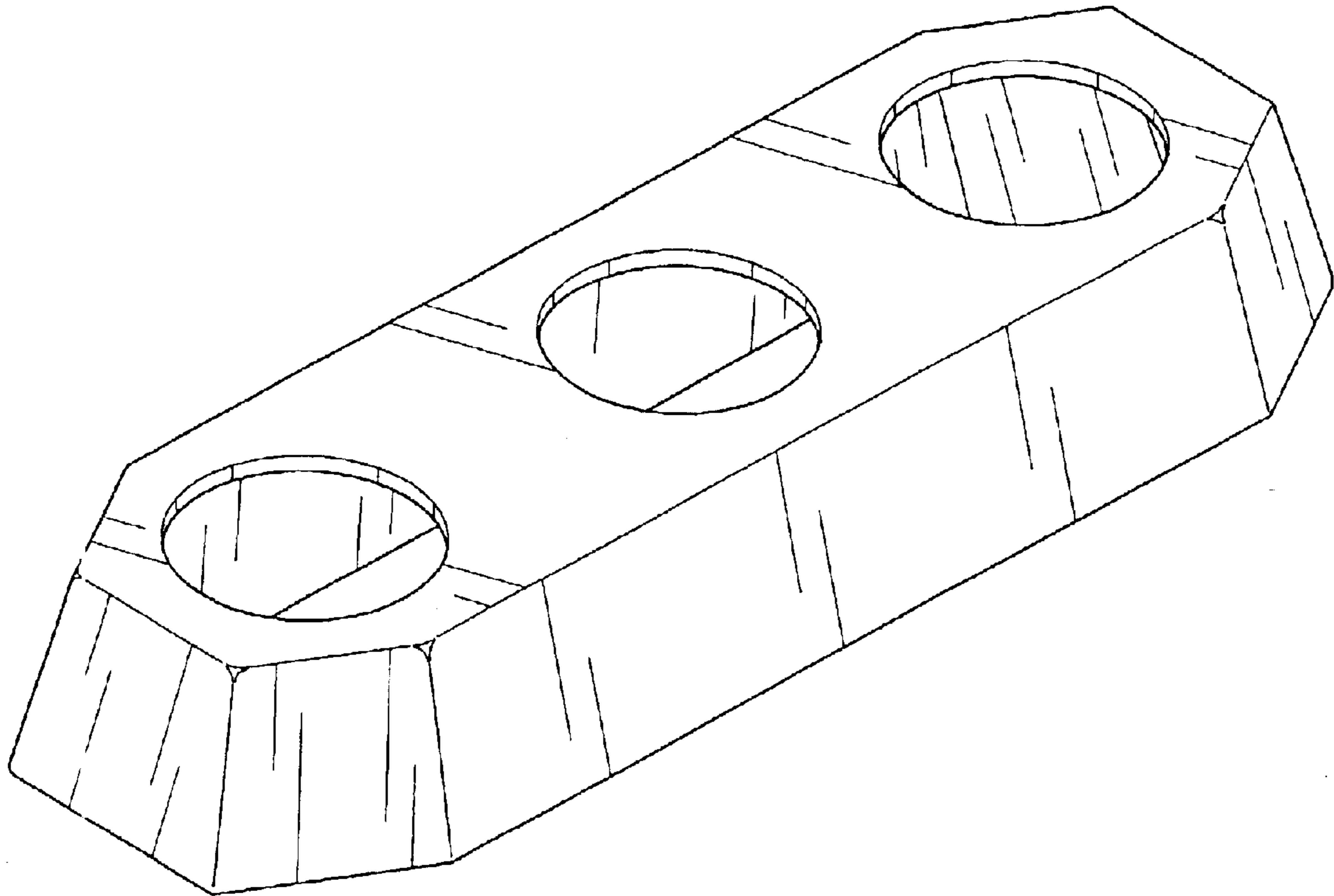


FIG. 1

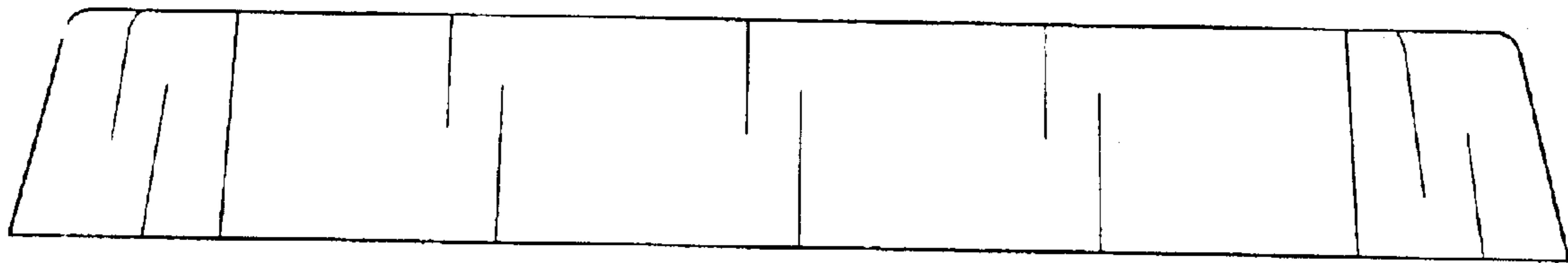


FIG. 2

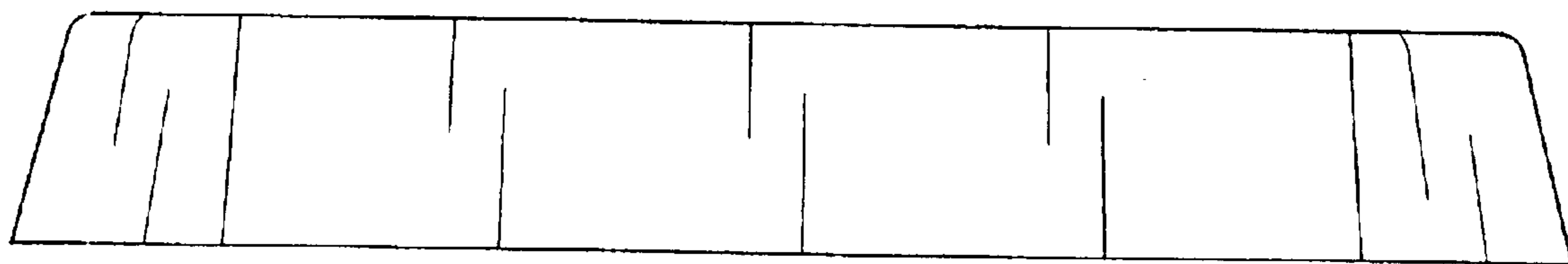


FIG. 3

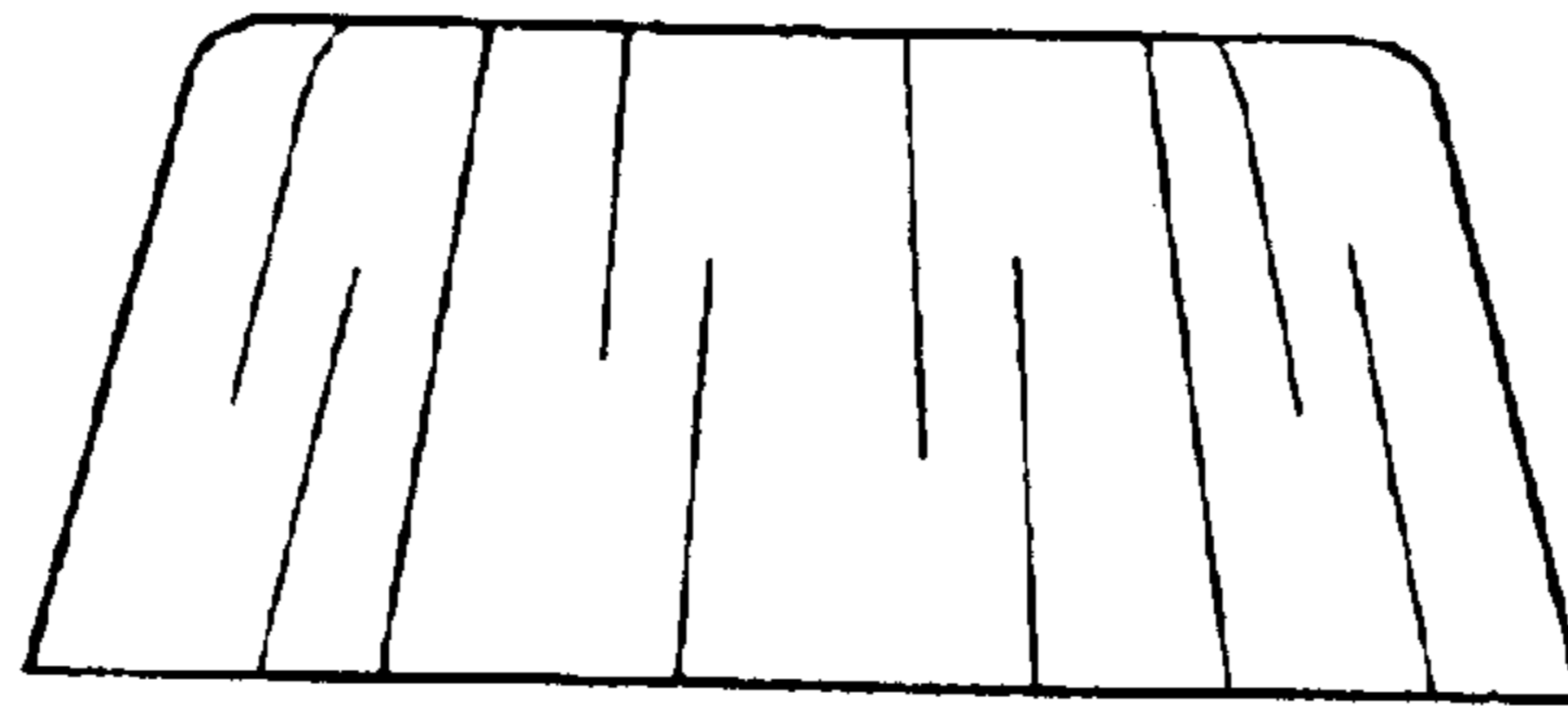


FIG. 4

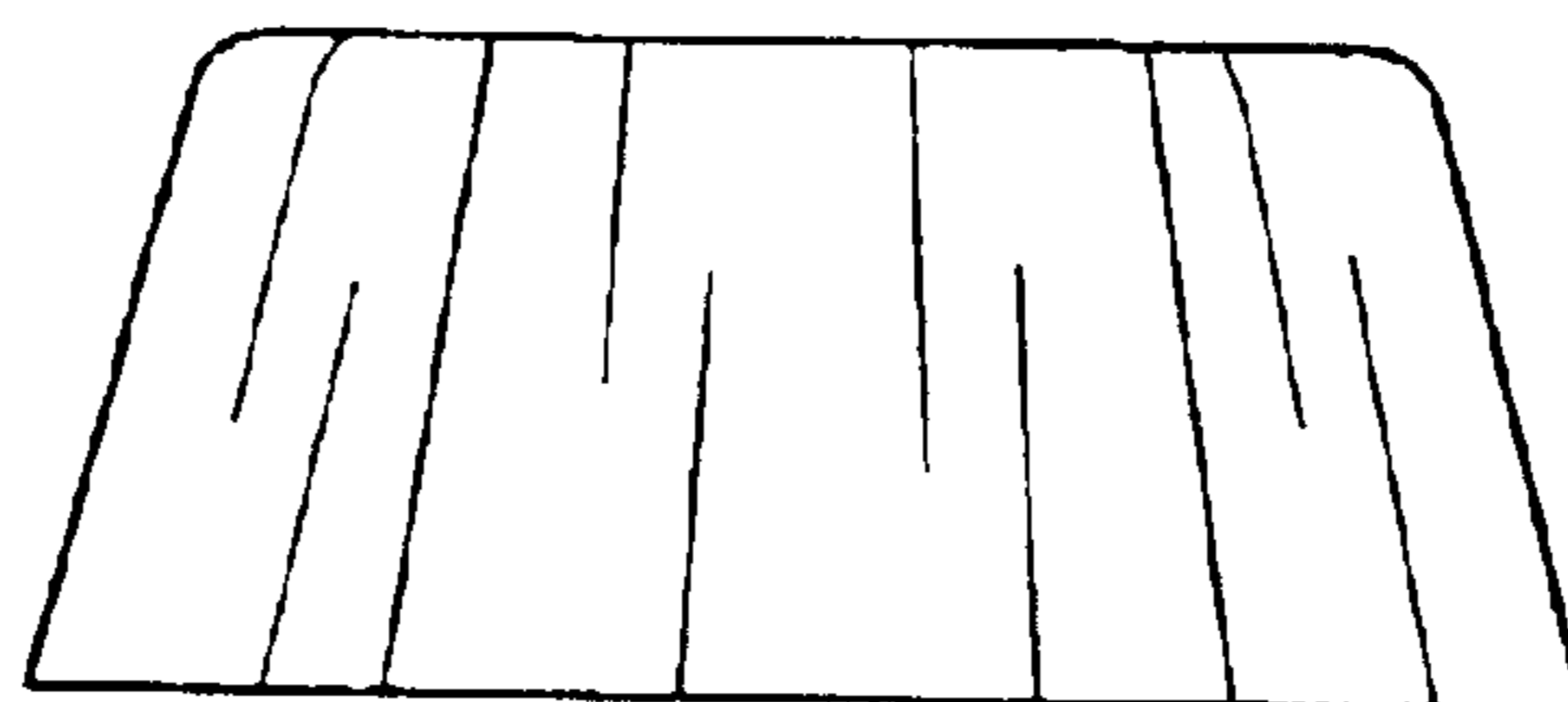


FIG. 5

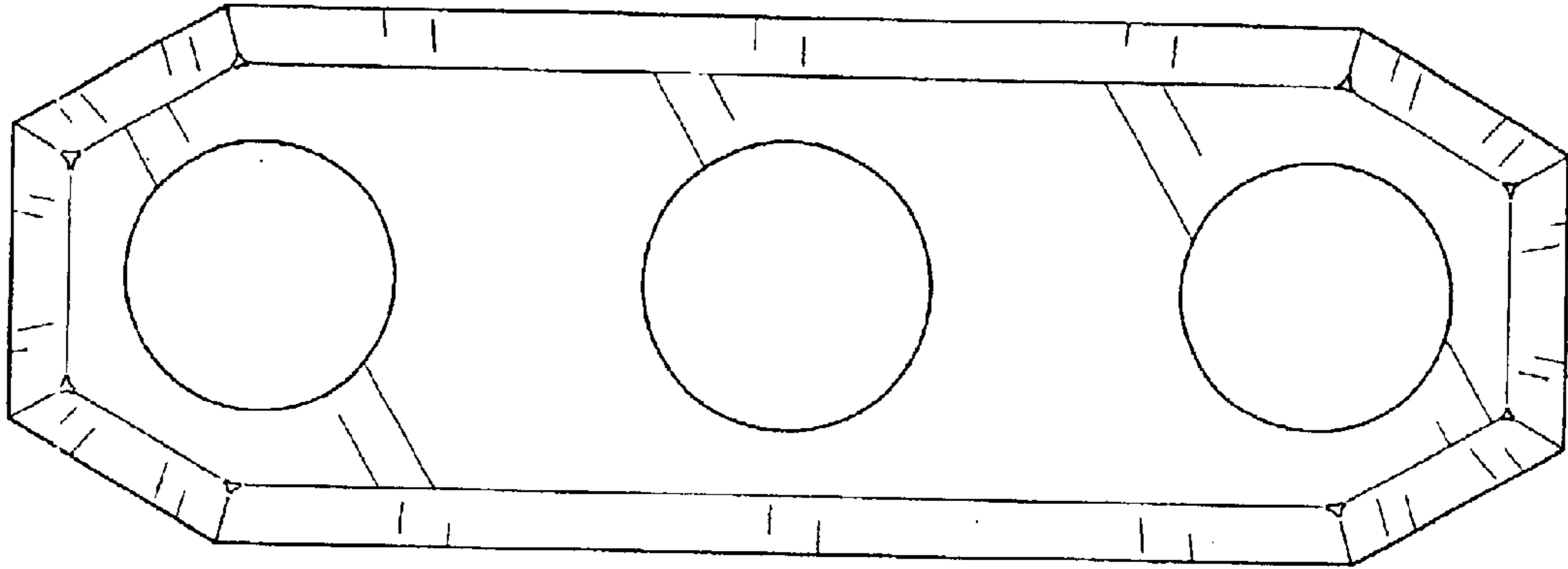


FIG. 6

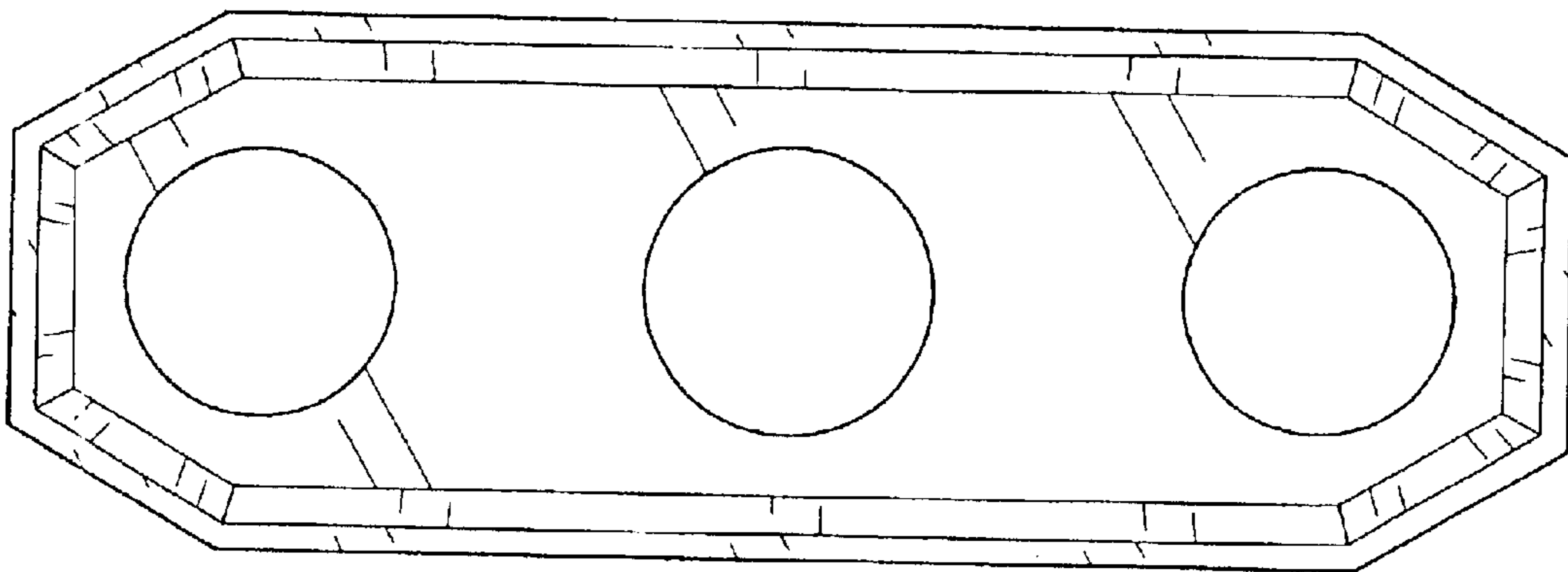


FIG. 7