

US00D492011S1

(12) **United States Design Patent**  
**Blattner**

(10) **Patent No.:** **US D492,011 S**  
(45) **Date of Patent:** **\*\* Jun. 22, 2004**

(54) **SANITARY FAUCET**  
(75) **Inventor:** **Joachim Blattner**, Haslach (DE)  
(73) **Assignee:** **Hansgrohe AG**, Schiltach (DE)  
(\*\*) **Term:** **14 Years**

(21) **Appl. No.:** **29/183,958**  
(22) **Filed:** **Jun. 19, 2003**

(30) **Foreign Application Priority Data**  
Dec. 20, 2002 (DE) ..... 402 10 547  
(51) **LOC (7) Cl.** ..... **23-01**  
(52) **U.S. Cl.** ..... **D23/238**  
(58) **Field of Search** ..... D23/238-257;  
4/675-678; 137/801

(56) **References Cited**  
**U.S. PATENT DOCUMENTS**  
D397,768 S \* 9/1998 Delabie et al. .... D23/238  
D446,286 S \* 8/2001 Fleischmann ..... D23/242  
D467,307 S \* 12/2002 Sieger ..... D23/242  
D477,859 S \* 7/2003 Citterio ..... D23/241

**OTHER PUBLICATIONS**  
Catalog by HANSA, "Hansa Fur Das Bad", one page, 2002.\*  
Brochure by Paini S.P.A., Rubinetterie, one page, Mar. 2001.\*

Catalog by Zucchetti, "isyline", one page, 2001.\*  
Brochure by Rubinatterie Bandini, "The Collections", one page, 2001.\*

\* cited by examiner

*Primary Examiner*—Louis S. Zarfes  
*Assistant Examiner*—Gregory Andoll  
(74) *Attorney, Agent, or Firm*—Duane Morris LLP

(57) **CLAIM**

The ornamental design for a sanitary faucet, as shown and described.

**DESCRIPTION**

**FIG. 1:** is a side perspective view of the sanitary faucet showing my new design;  
**FIG. 2:** is a side elevation view thereof;  
**FIG. 3:** is a front elevation view thereof;  
**FIG. 4:** is the opposite side elevation view thereof;  
**FIG. 5:** is a rear elevation view thereof;  
**FIG. 6:** is a top plan view thereof; and,  
**FIG. 7:** is a bottom plan view thereof.

**1 Claim, 7 Drawing Sheets**

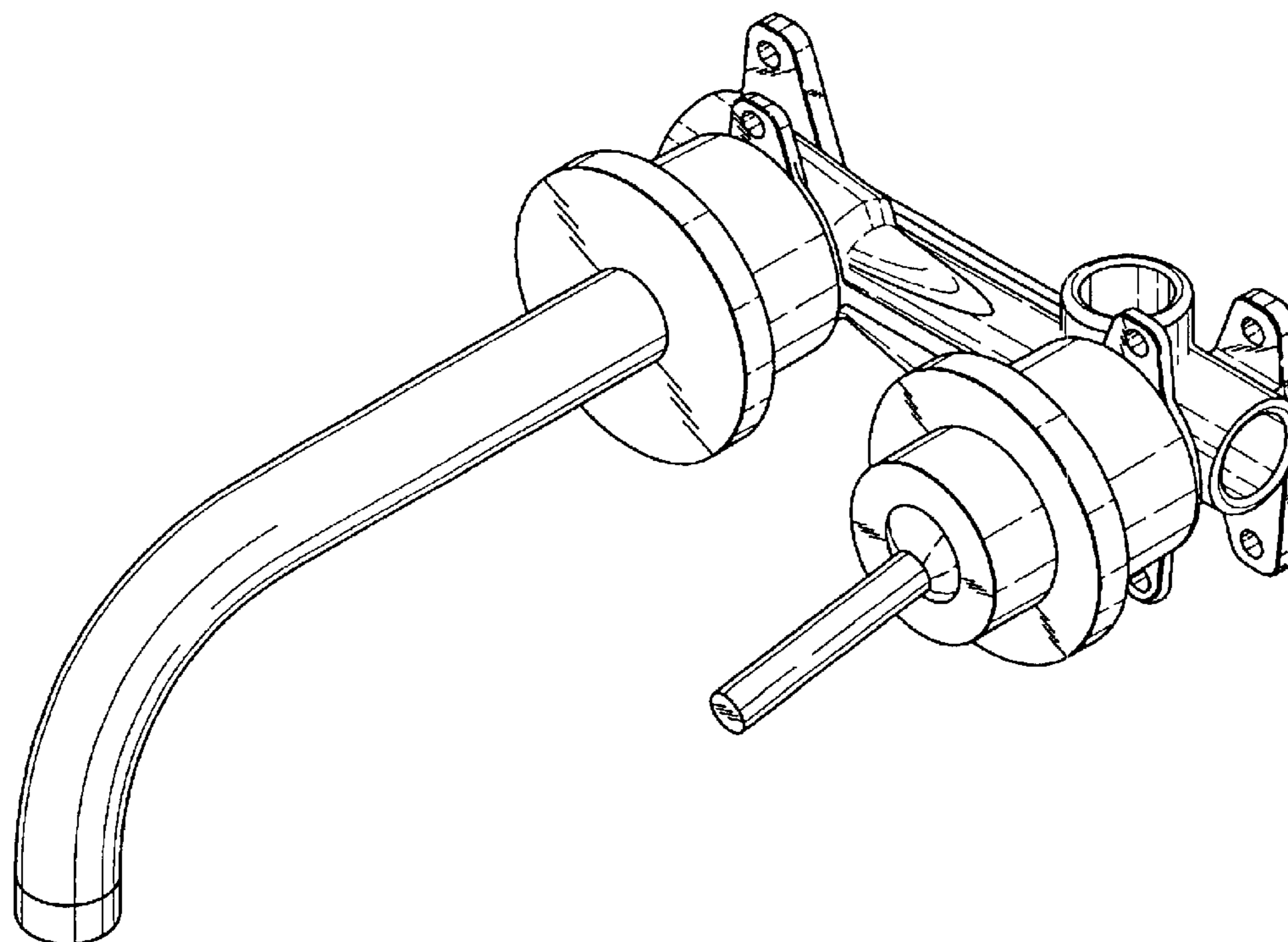


Fig. 1

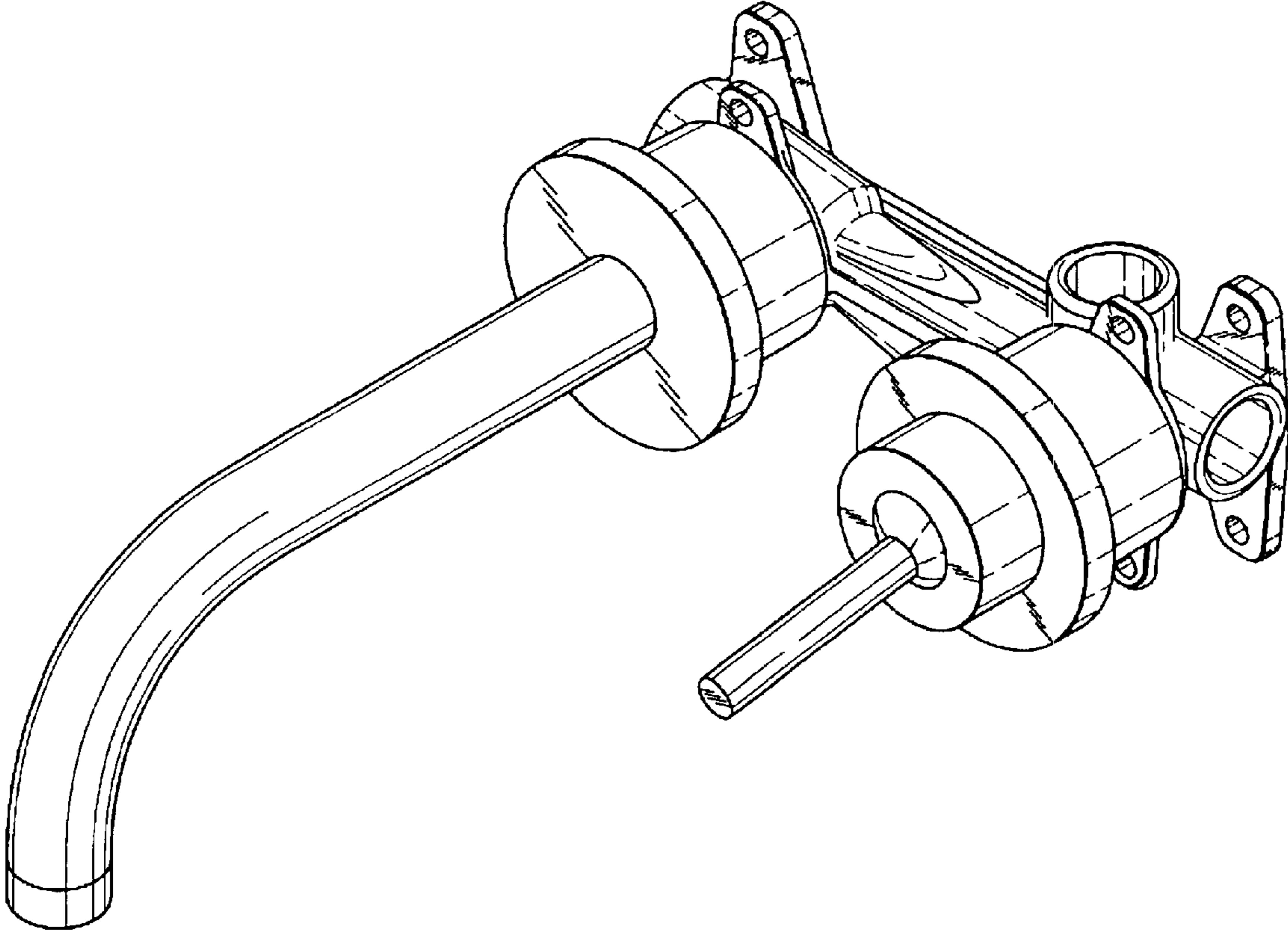


Fig. 2

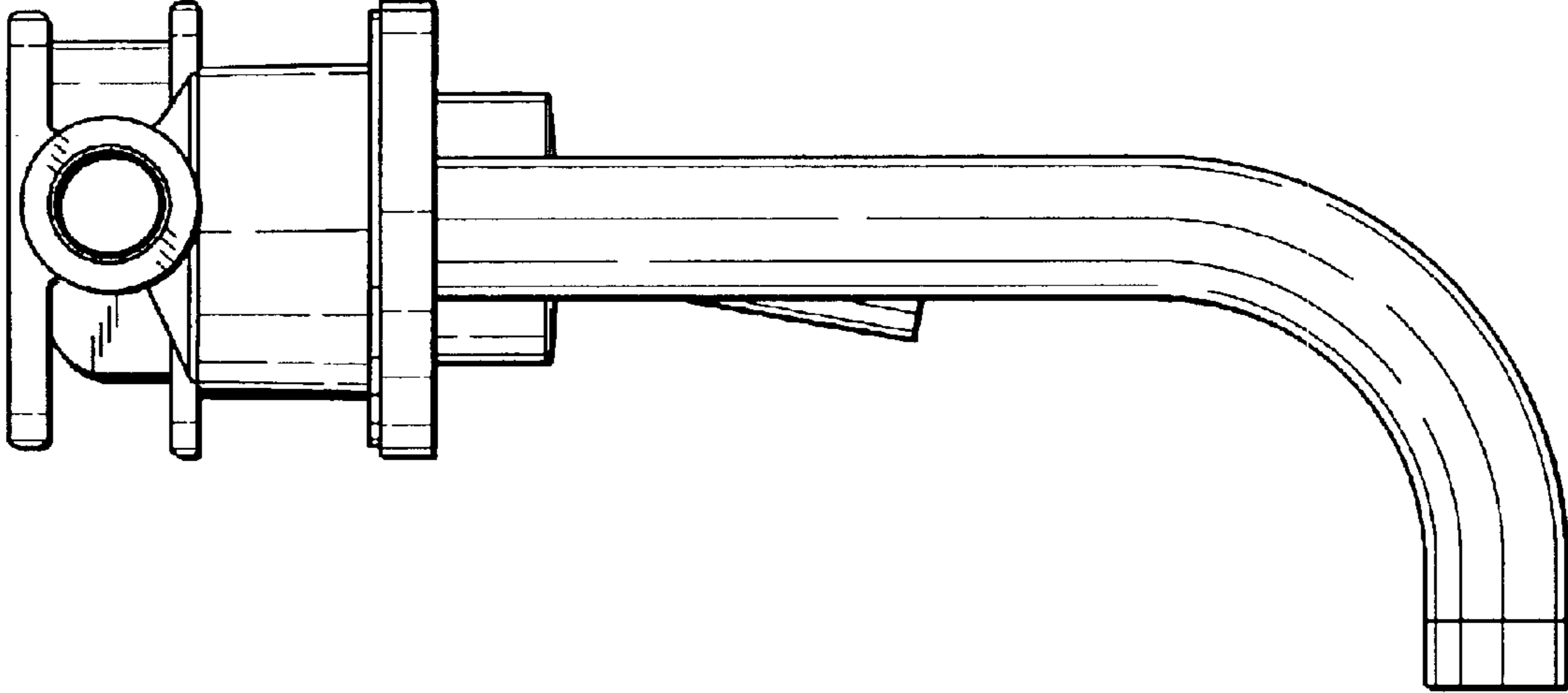


Fig. 3

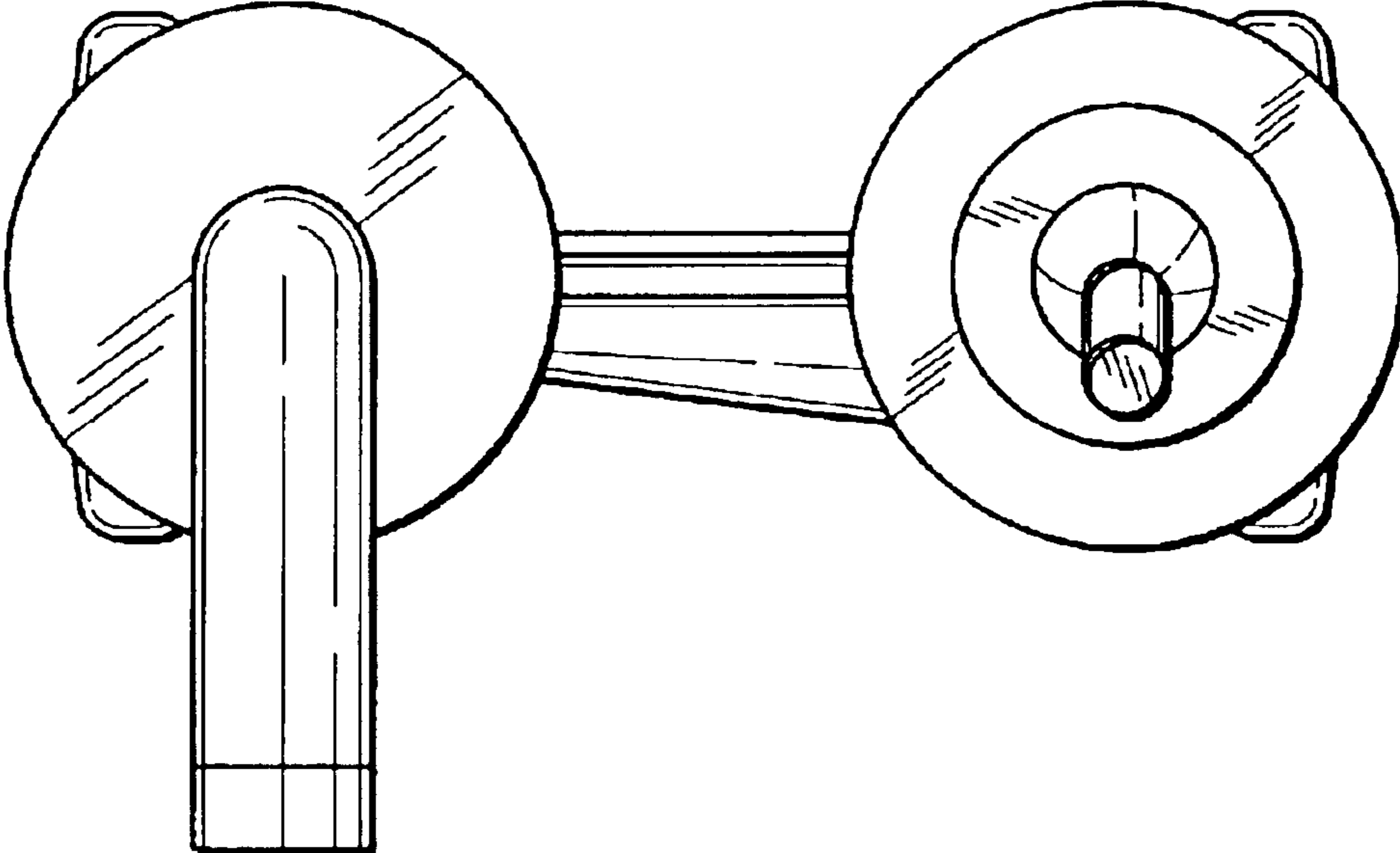


Fig. 4

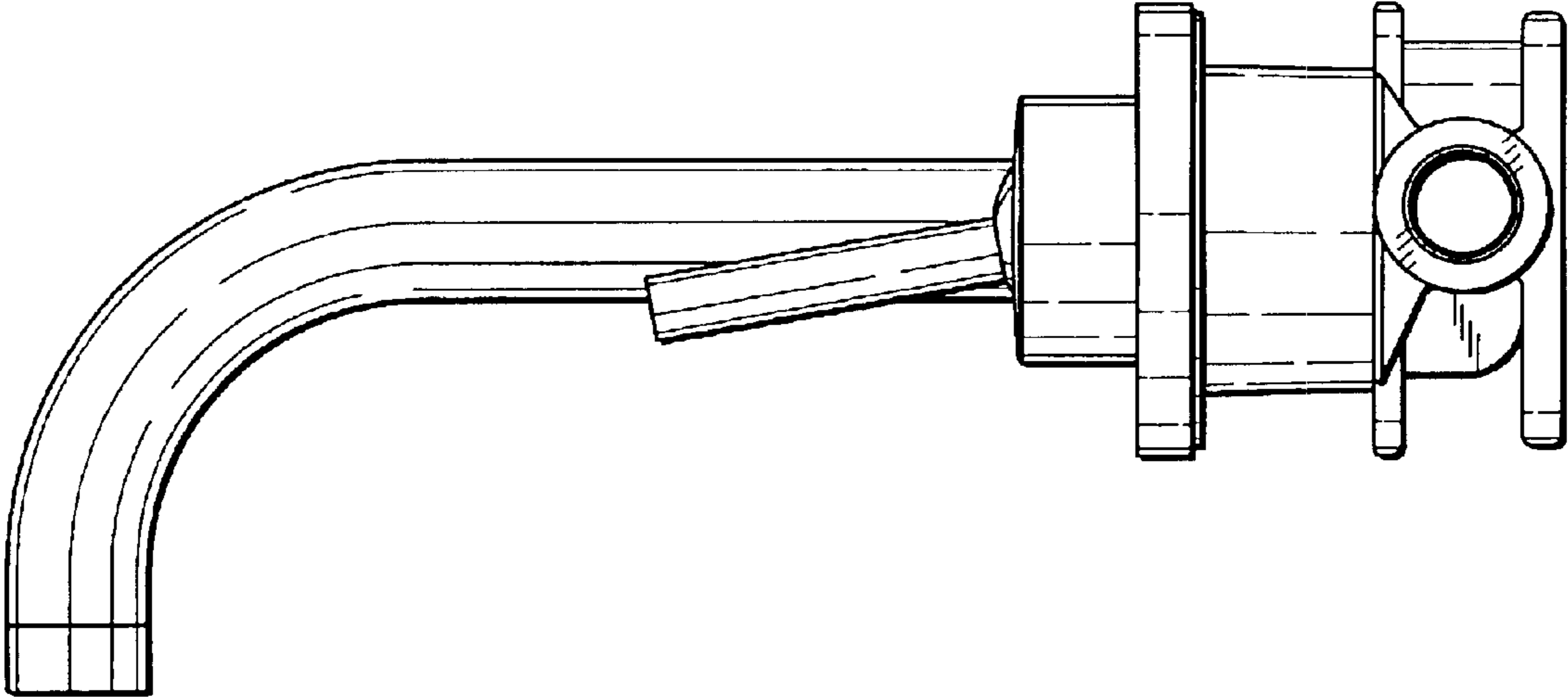


Fig. 5

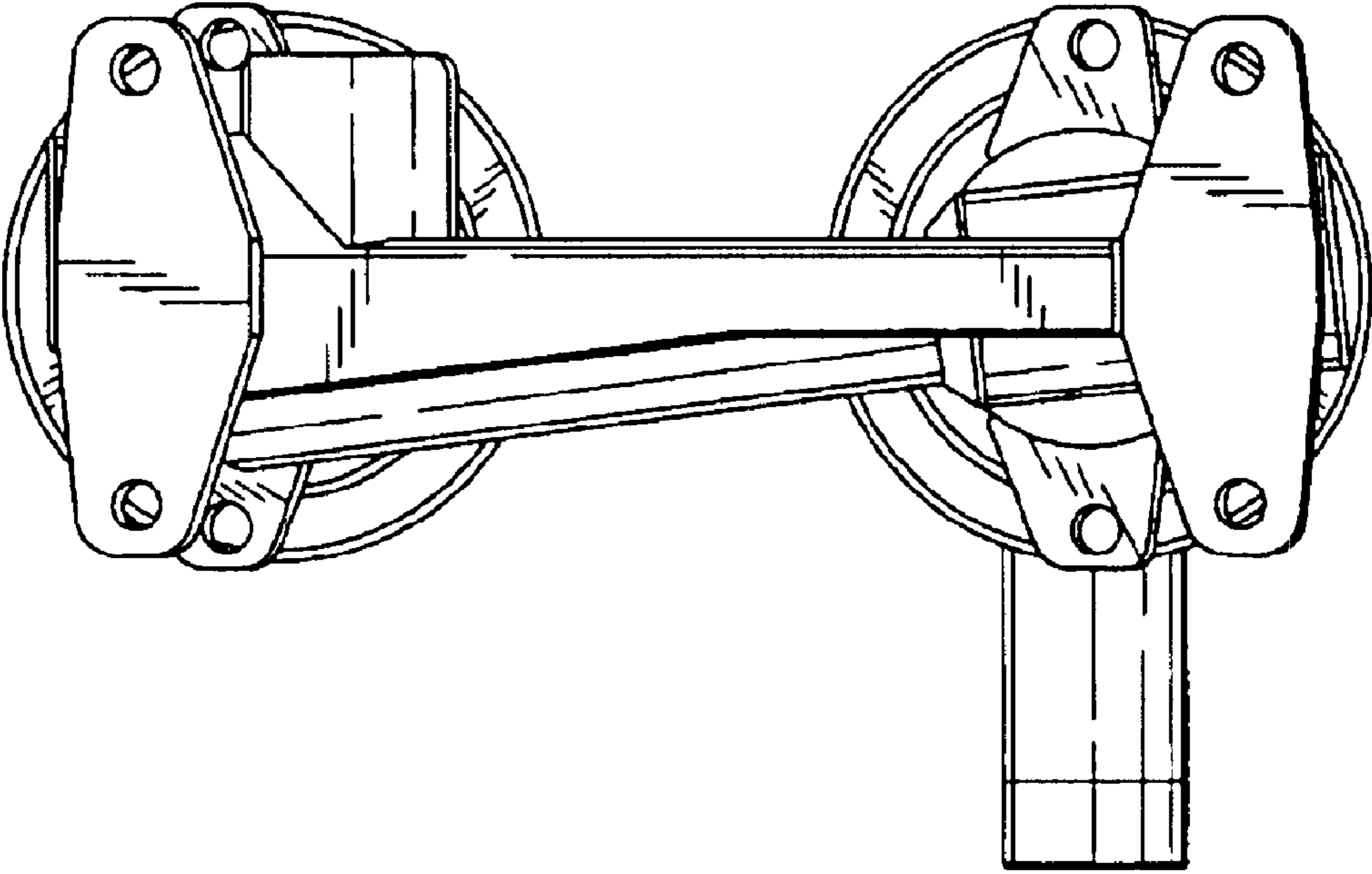


Fig. 6

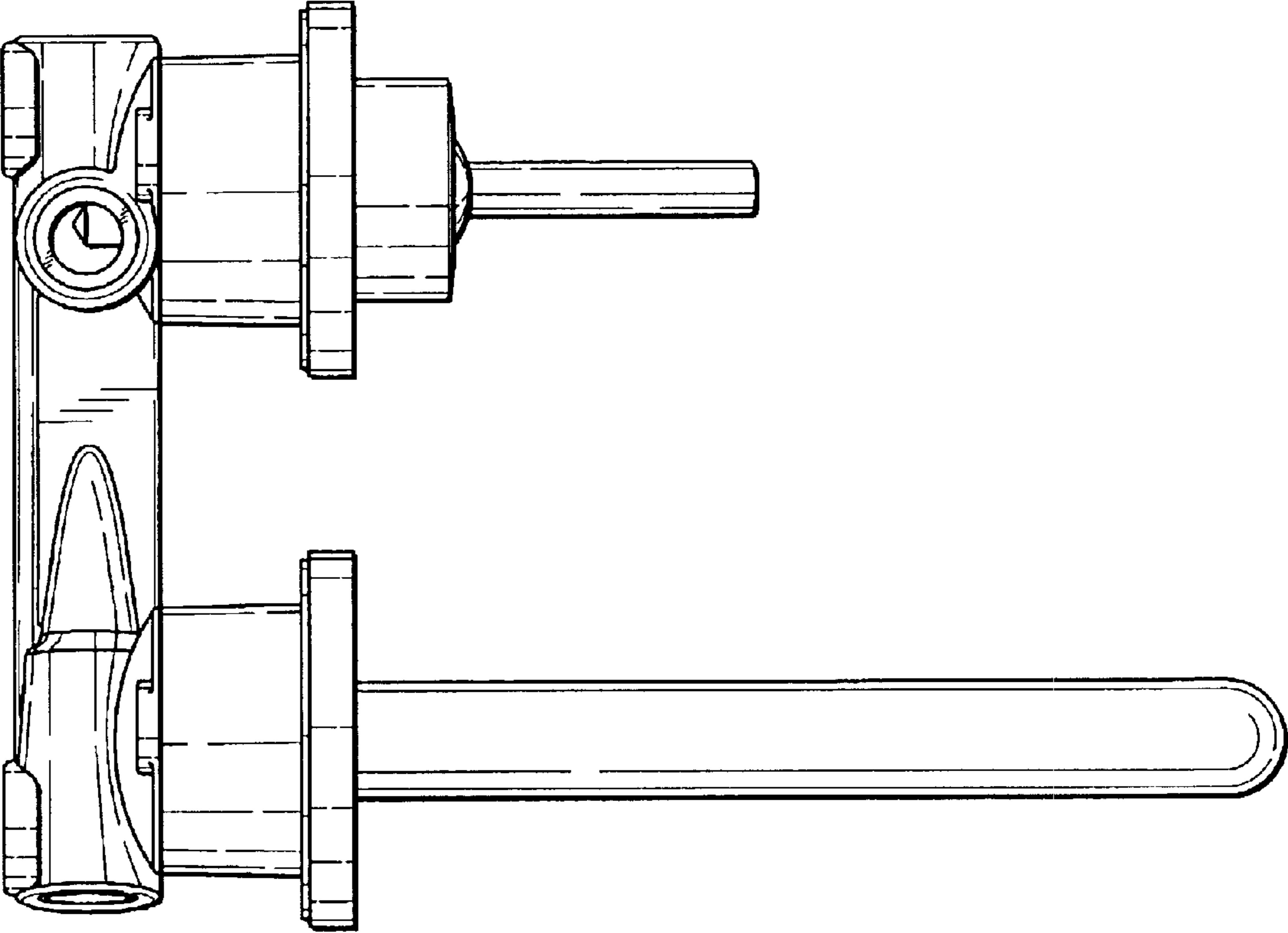


Fig. 7

