

US00D492009S1

(12) **United States Design Patent** (10) **Patent No.:** **US D492,009 S**
Egee (45) **Date of Patent:** **** Jun. 22, 2004**

(54) **LOW SPOUT**

(75) Inventor: **Paul Egee**, Southbury, CT (US)

(73) Assignee: **American Standard International Inc.**, New York, NY (US)

(**) Term: **14 Years**

(21) Appl. No.: **29/179,132**

(22) Filed: **Apr. 4, 2003**

(51) **LOC (7) Cl.** **23-01**

(52) **U.S. Cl.** **D23/238; D23/255; D23/257**

(58) **Field of Search** **D23/250-257;**
4/671-678; 137/801

(56) **References Cited**

U.S. PATENT DOCUMENTS

D461,000 S	*	7/2002	Mullenmeister	D23/257
D462,418 S	*	9/2002	Smith	D23/238
D468,810 S	*	1/2003	Smith	D23/257
D472,615 S	*	4/2003	Smith	D23/255

* cited by examiner

Primary Examiner—Louis S. Zarfes
Assistant Examiner—Gregory Andoll

(57) **CLAIM**

The ornamental design for a low spout, as shown and described.

DESCRIPTION

FIG. 1 is a perspective view of a low spout showing my new design;

FIG. 2 is a top plan view thereof;

FIG. 3 is a left side elevational view thereof, the right side view being a mirror image of the left side;

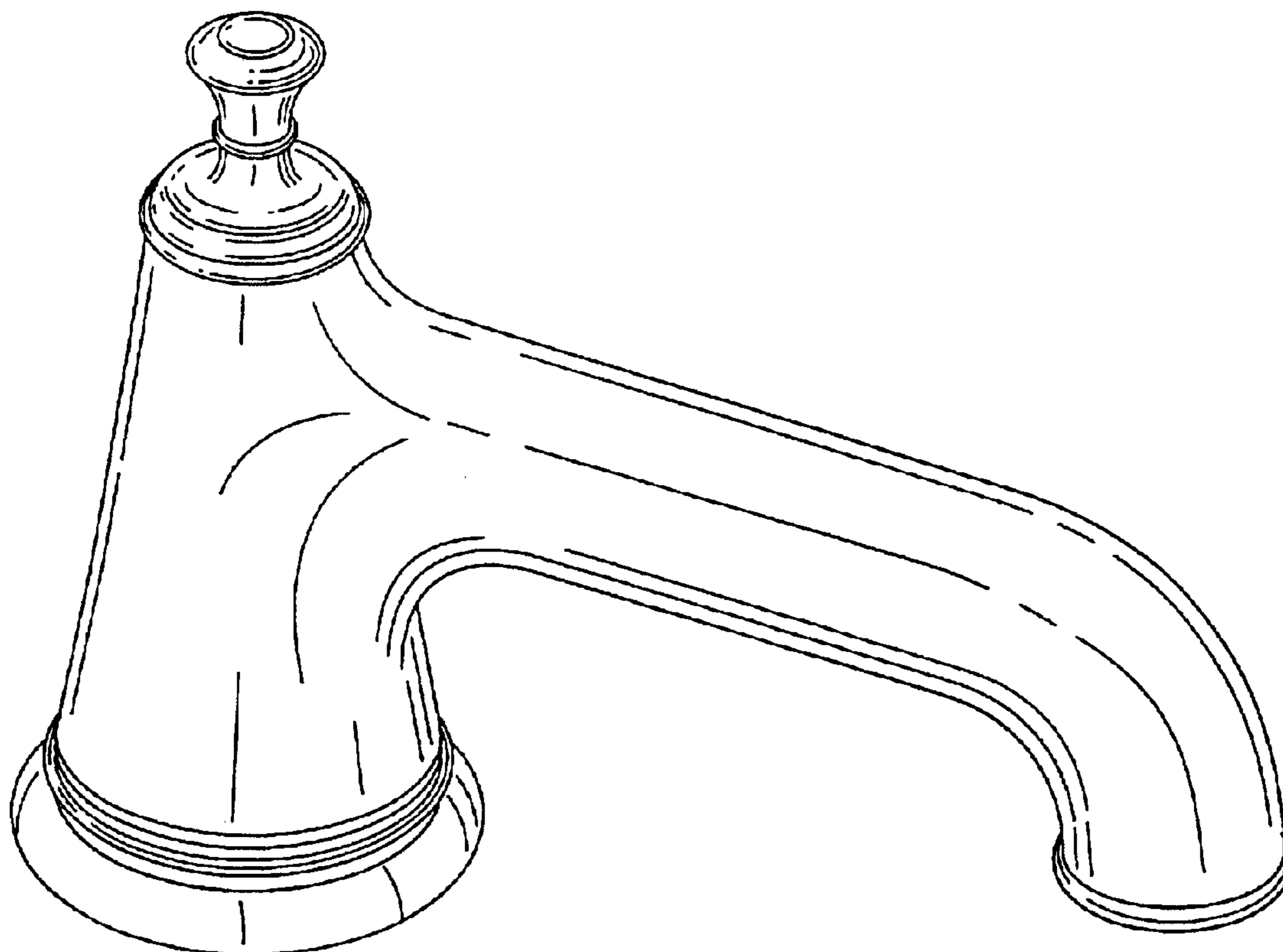
FIG. 4 is a front elevational view thereof;

FIG. 5 is a rear elevational view thereof; and,

FIG. 6 is a bottom plan view.

The broken lines in the Figures are for illustrative purposes only and form no part of the claimed design.

1 Claim, 5 Drawing Sheets



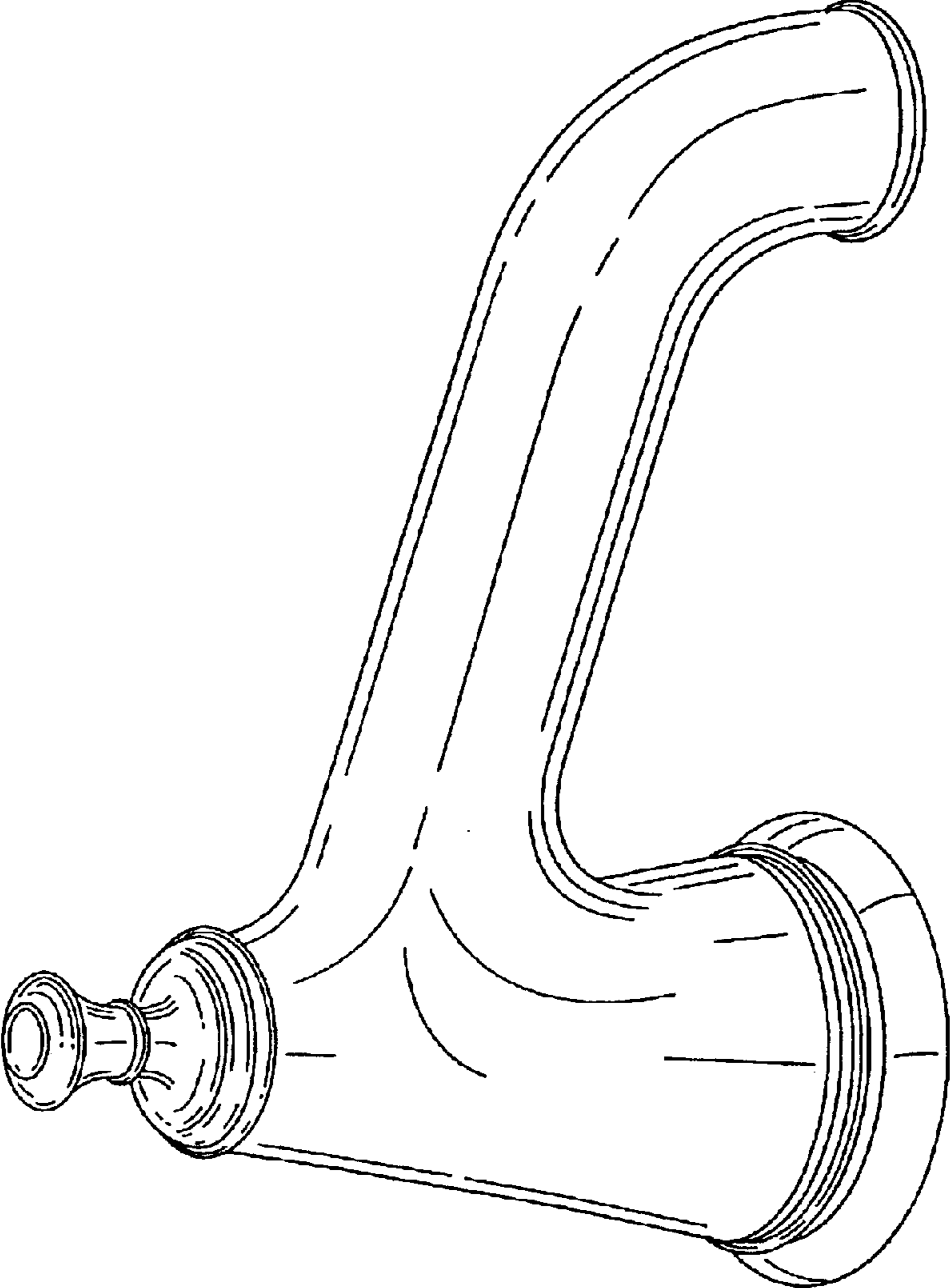


FIG. 1

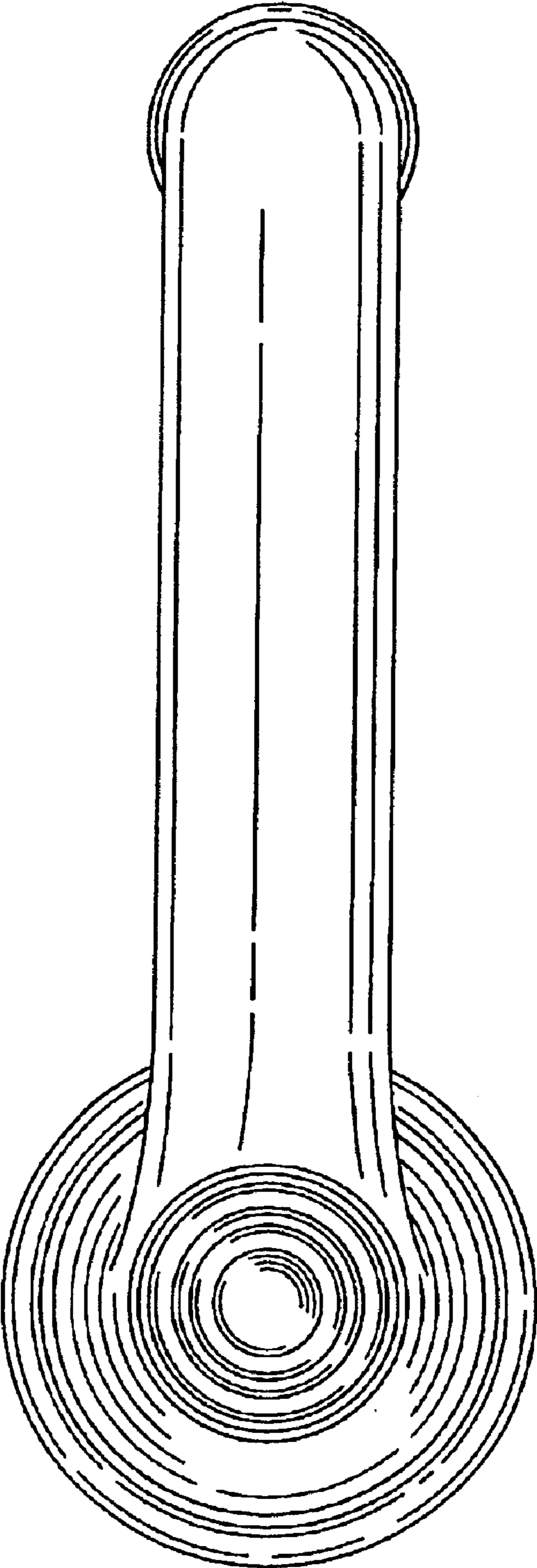


FIG. 2

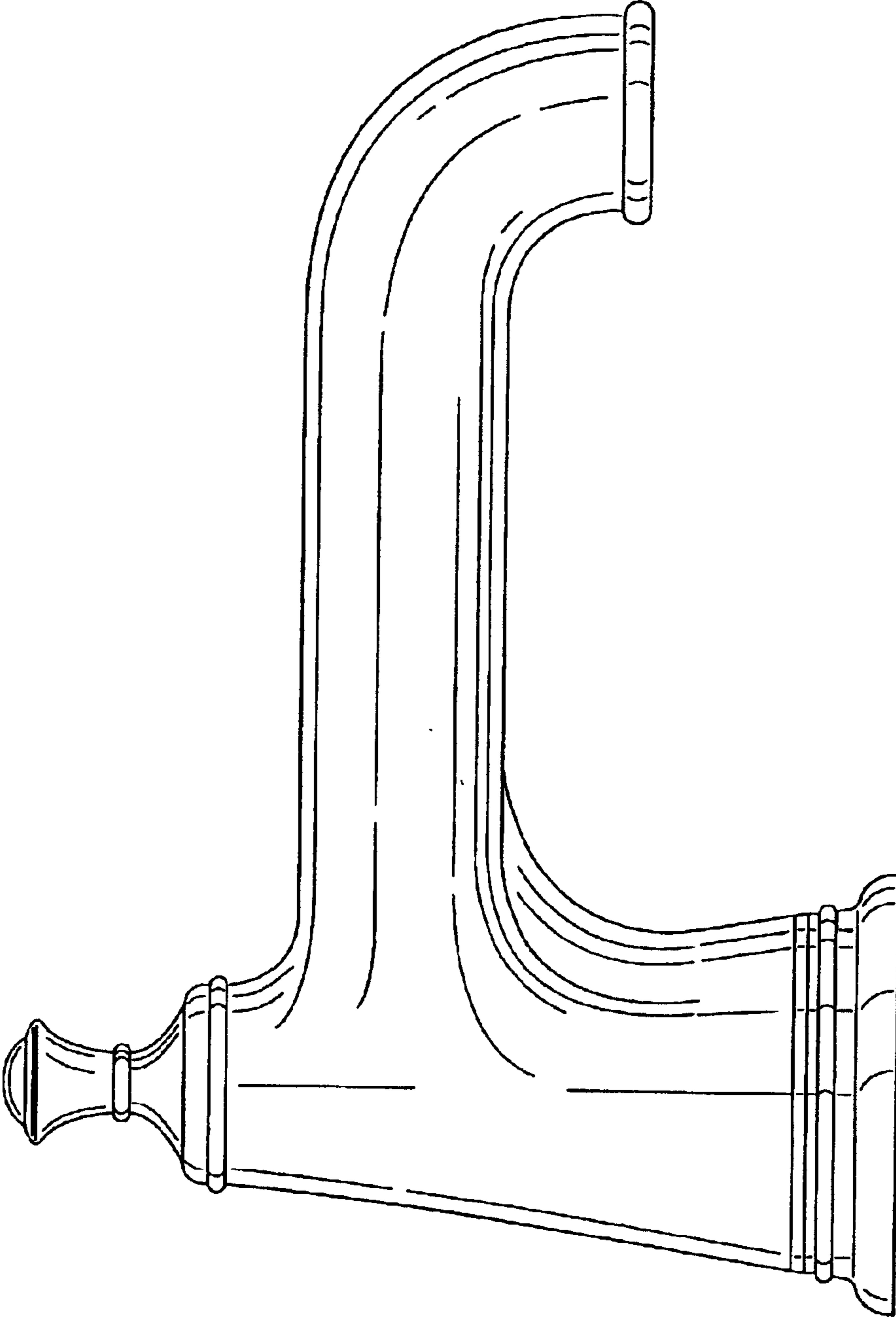


FIG. 3

FIG. 5

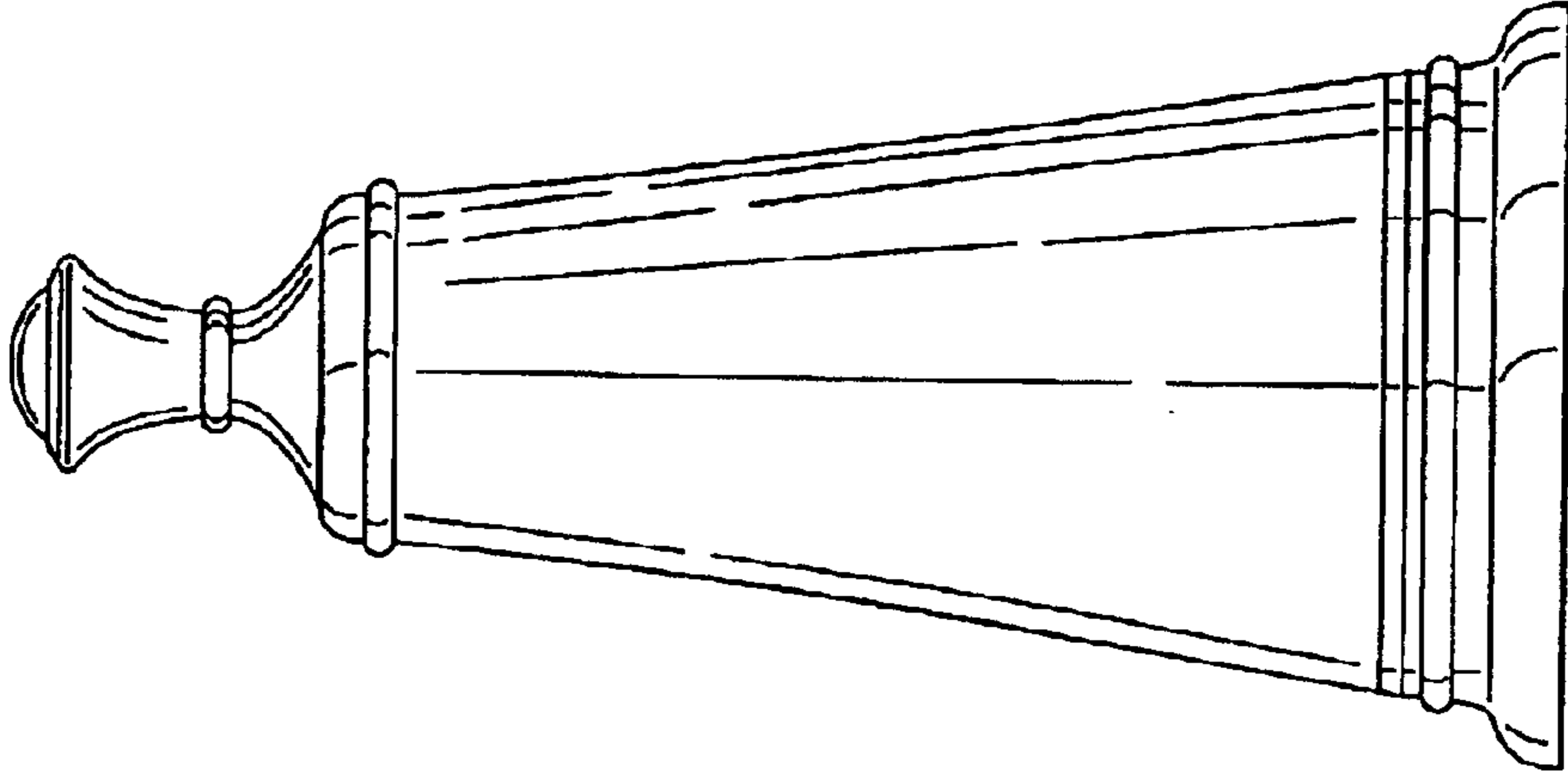
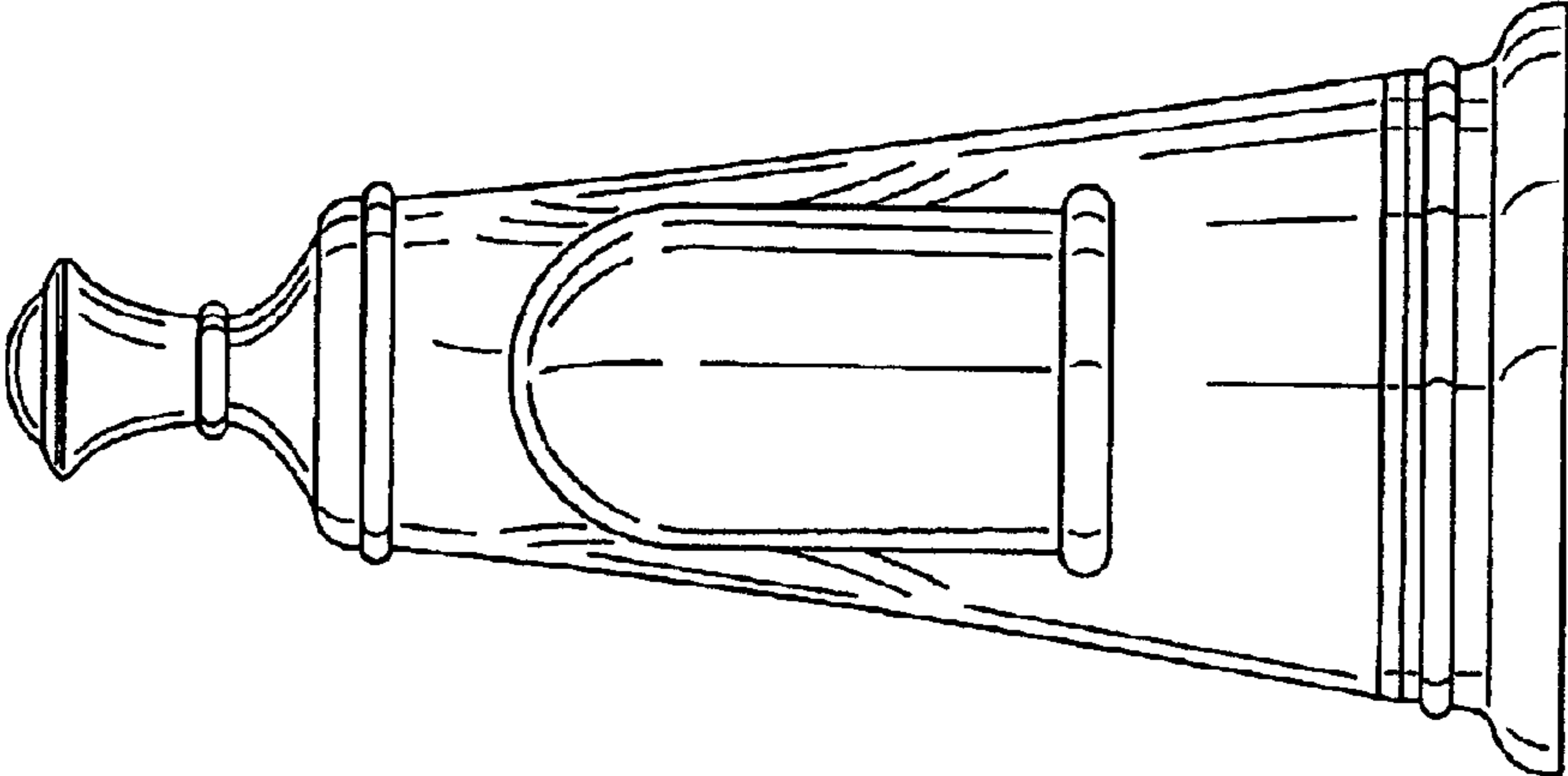


FIG. 4



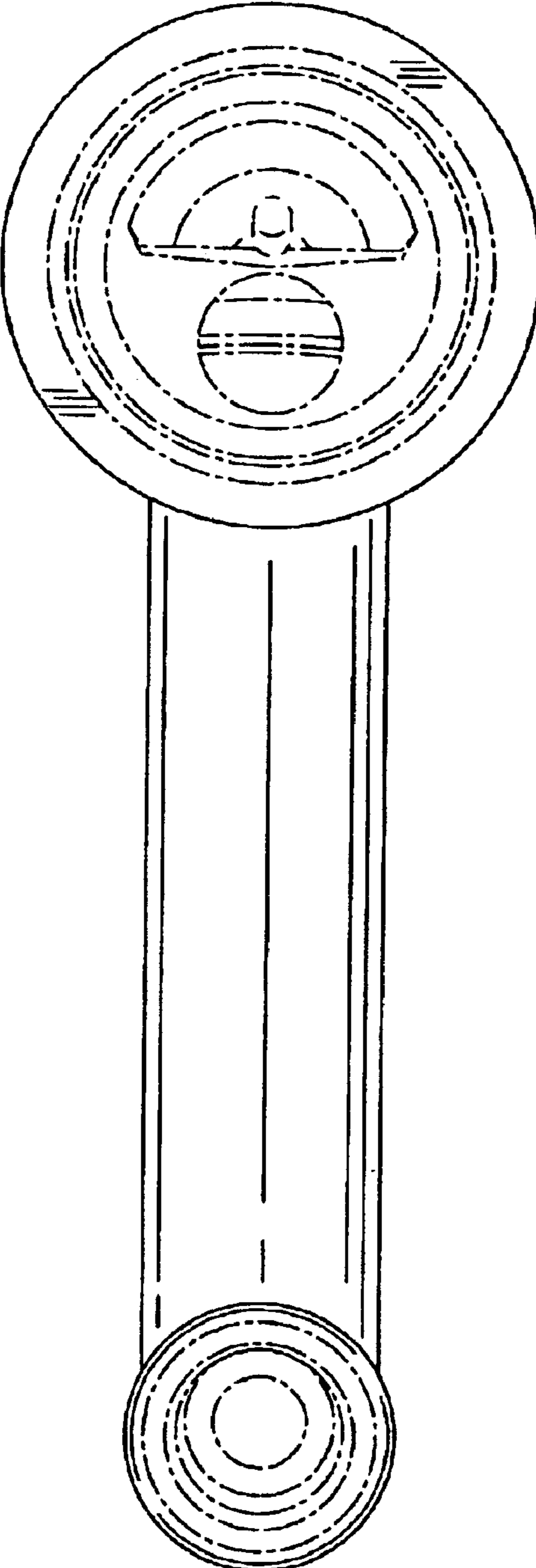


FIG. 6