

US00D492004S1

(12) **United States Design Patent**  
**Haug et al.**

(10) **Patent No.:** **US D492,004 S**  
(45) **Date of Patent:** **\*\* Jun. 22, 2004**

(54) **HOLDER FOR SHOWERS WITH HAND SHOWER**

6,550,079 B2 \* 4/2003 Gransow et al. .... 4/567  
6,594,832 B2 \* 7/2003 Yang ..... 4/605

(75) Inventors: **Andreas Haug**, Stuttgart (DE); **Tom Schönherr**, Stuttgart (DE); **Fabian Kollmann**, Stuttgart (DE)

\* cited by examiner

*Primary Examiner*—Robin V. Taylor  
(74) *Attorney, Agent, or Firm*—Duane Morris LLP

(73) Assignee: **Hansgrohe AG**, Schiltach (DE)

(57) **CLAIM**

(\*\*) Term: **14 Years**

The ornamental design for a holder for showers with hand shower, as shown and described.

(21) Appl. No.: **29/183,517**

**DESCRIPTION**

(22) Filed: **Jun. 11, 2003**

(30) **Foreign Application Priority Data**

Dec. 12, 2002 (DE) ..... 402 10 283

(51) **LOC (7) Cl.** ..... **23-01**

(52) **U.S. Cl.** ..... **D23/213; D23/229**

(58) **Field of Search** ..... D23/213, 229,  
D23/230, 304; 4/570, 600, 605

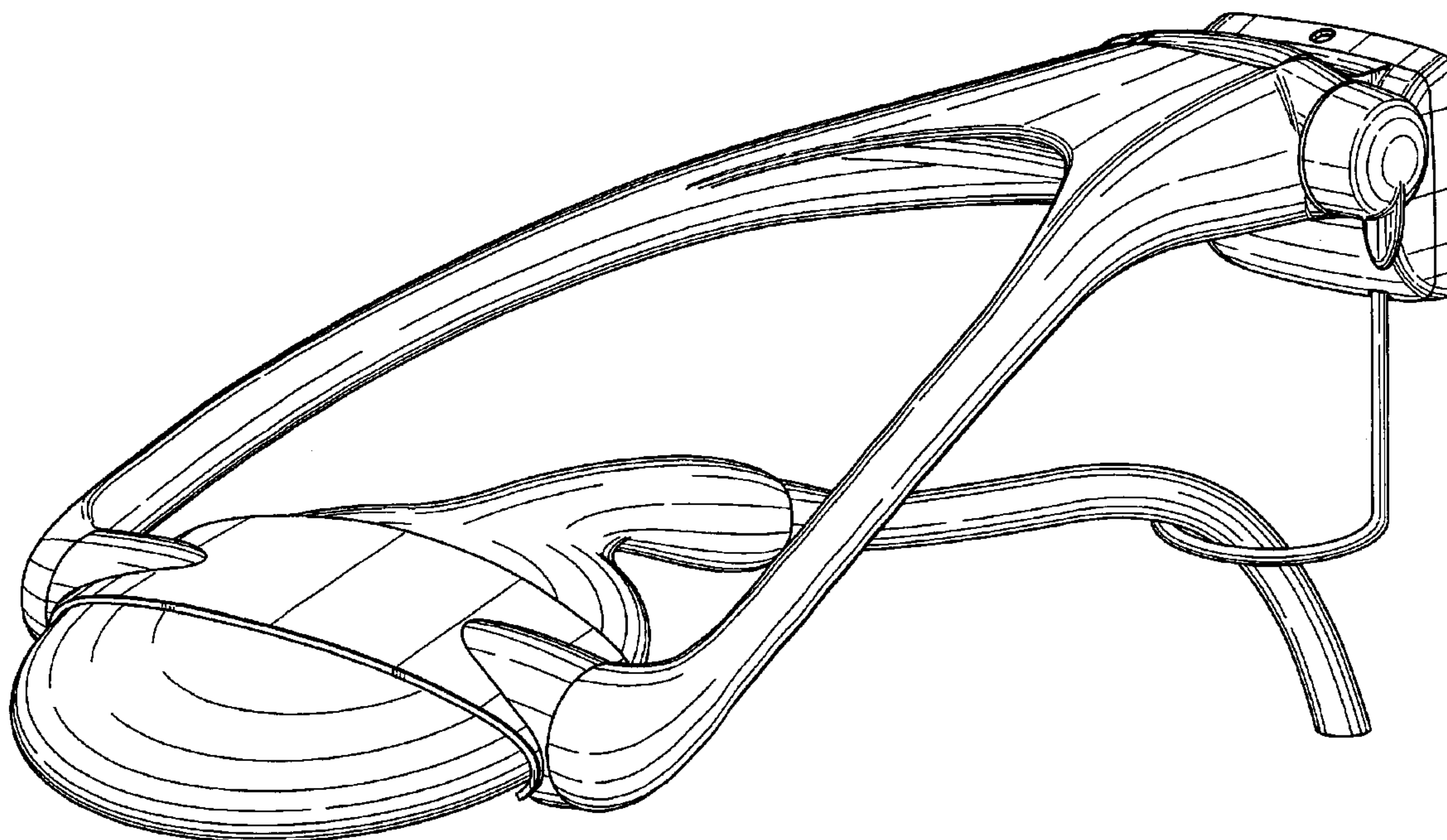
FIG. 1 is a side perspective view of the holder for showers with hand shower showing our new design;  
FIG. 2 is a side perspective view of the holder for showers with hand shower whereas the holder is clamped downwards;  
FIG. 3 is a side elevation view of the holder in FIG. 1;  
FIG. 4 is the opposite side elevation view of the holder in FIG. 1;  
FIG. 5 is a top plan view of the holder in FIG. 1;  
FIG. 6 is a bottom plan view of the holder in FIG. 1;  
FIG. 7 is a front elevation view thereof; and,  
FIG. 8 is a rear elevation view thereof.

(56) **References Cited**

**U.S. PATENT DOCUMENTS**

6,473,916 B2 \* 11/2002 Schidt ..... 4/567  
6,502,796 B1 \* 1/2003 Wales ..... 248/316.1

**1 Claim, 8 Drawing Sheets**



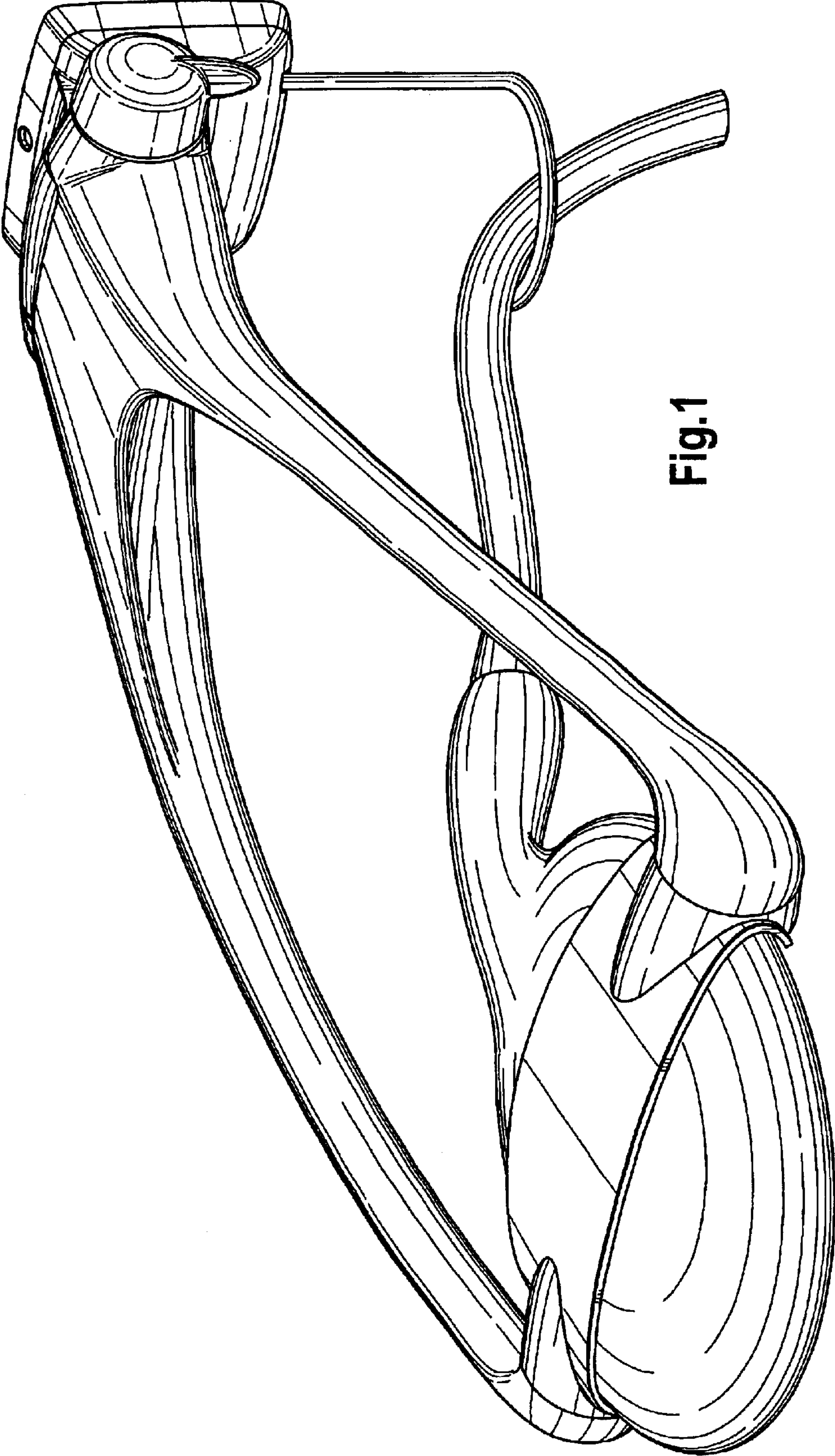


Fig. 1

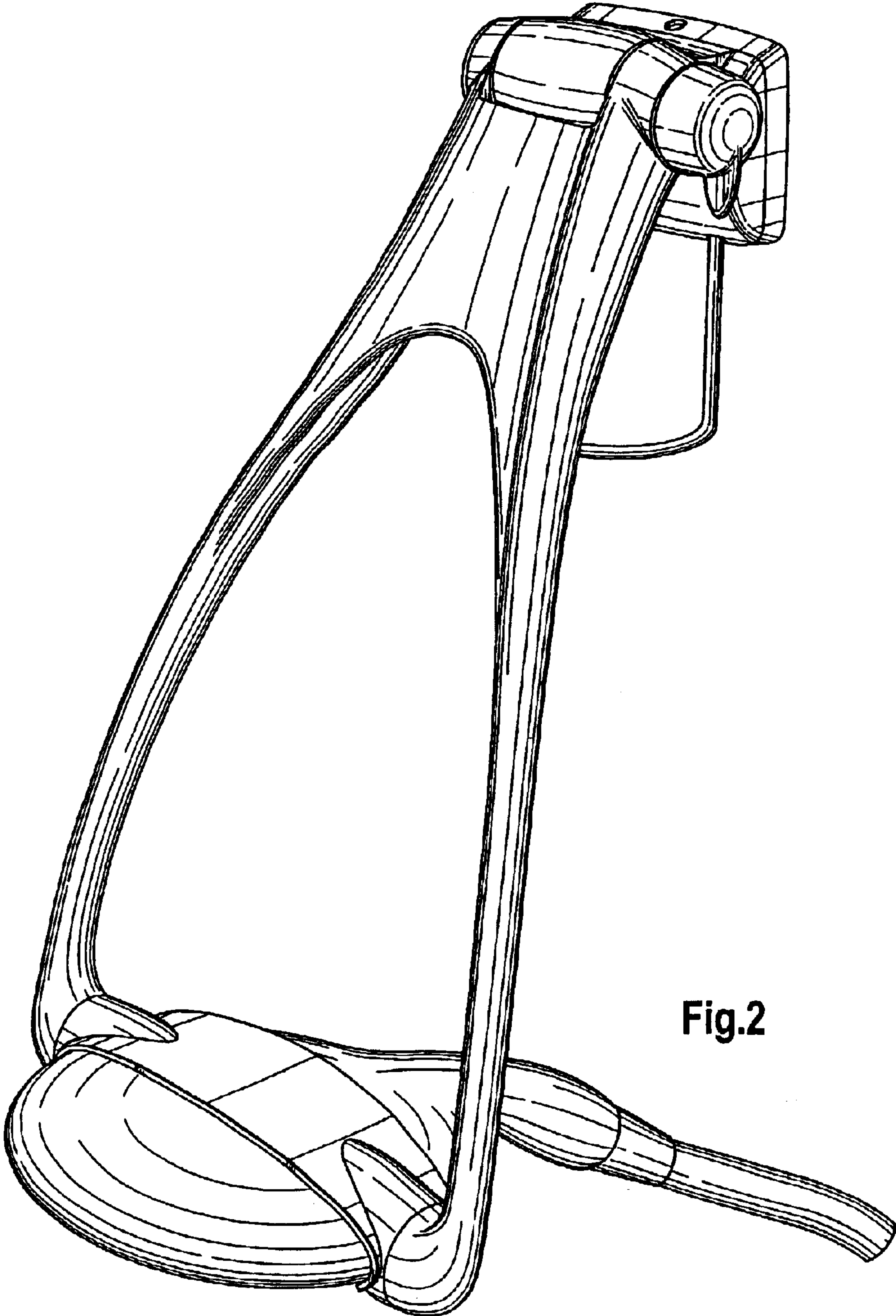
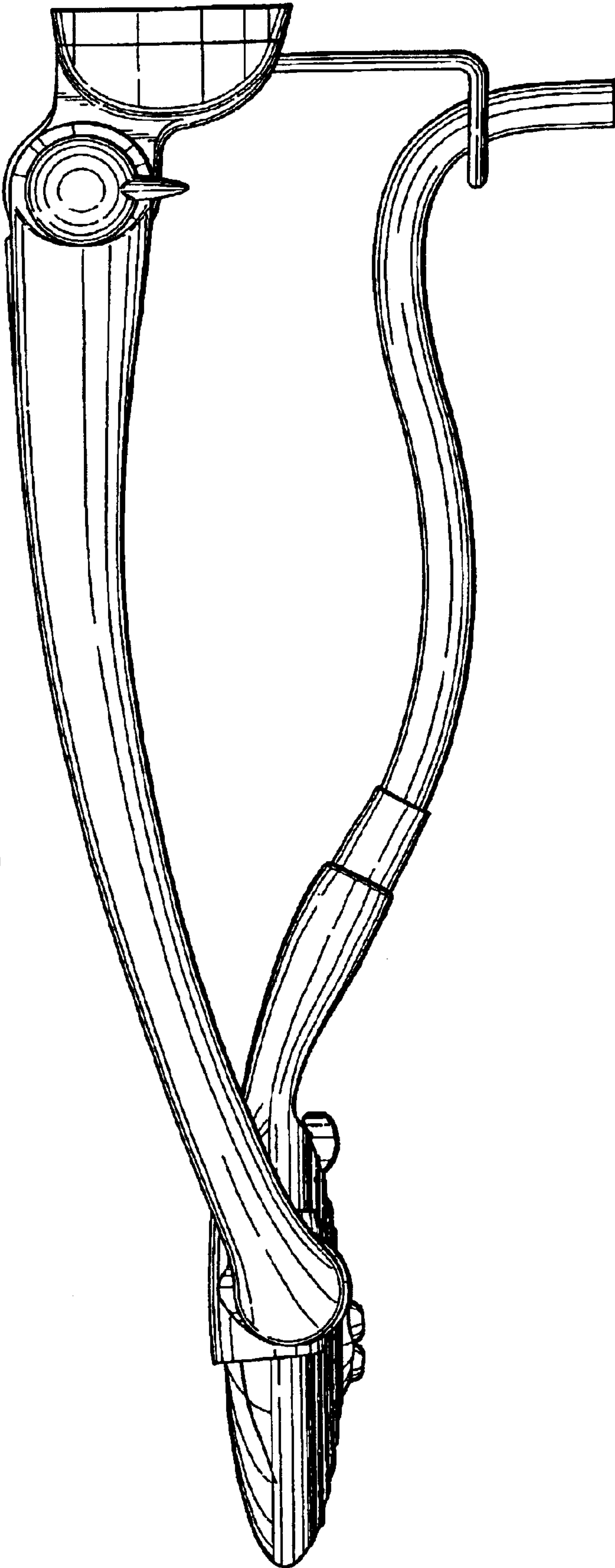


Fig.2



Fig.3



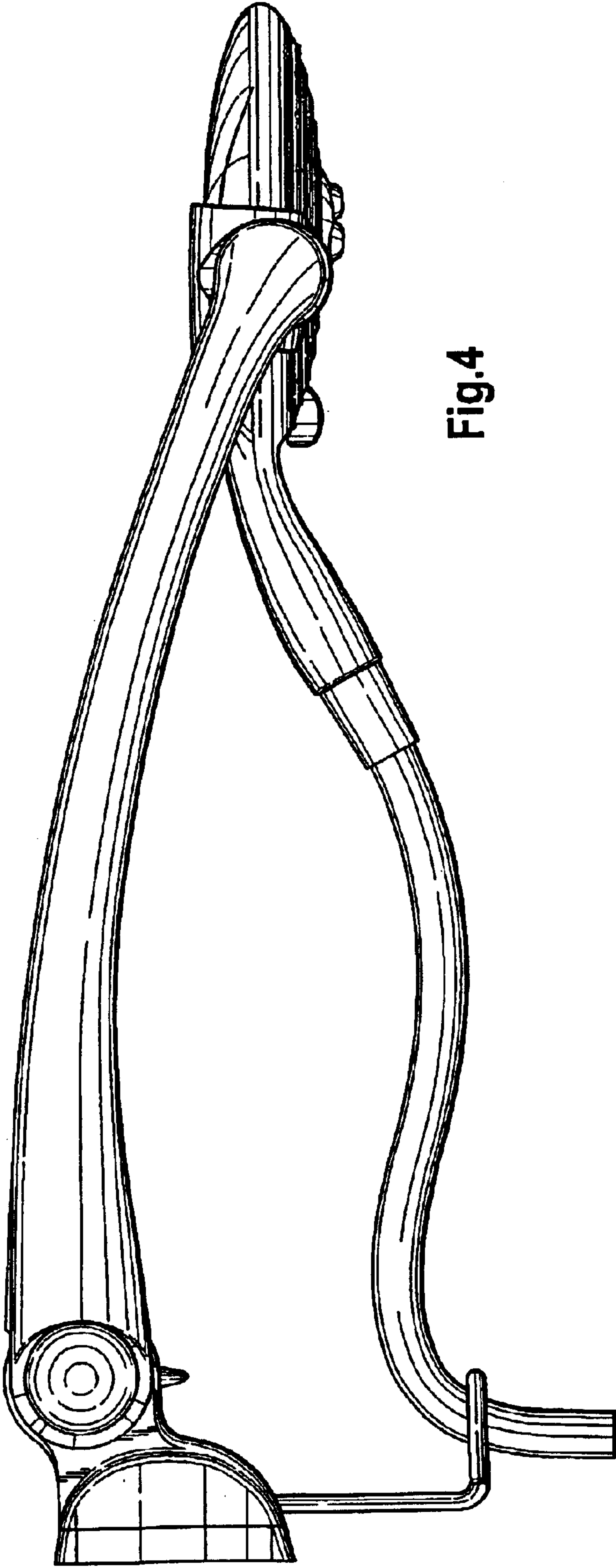


Fig.4

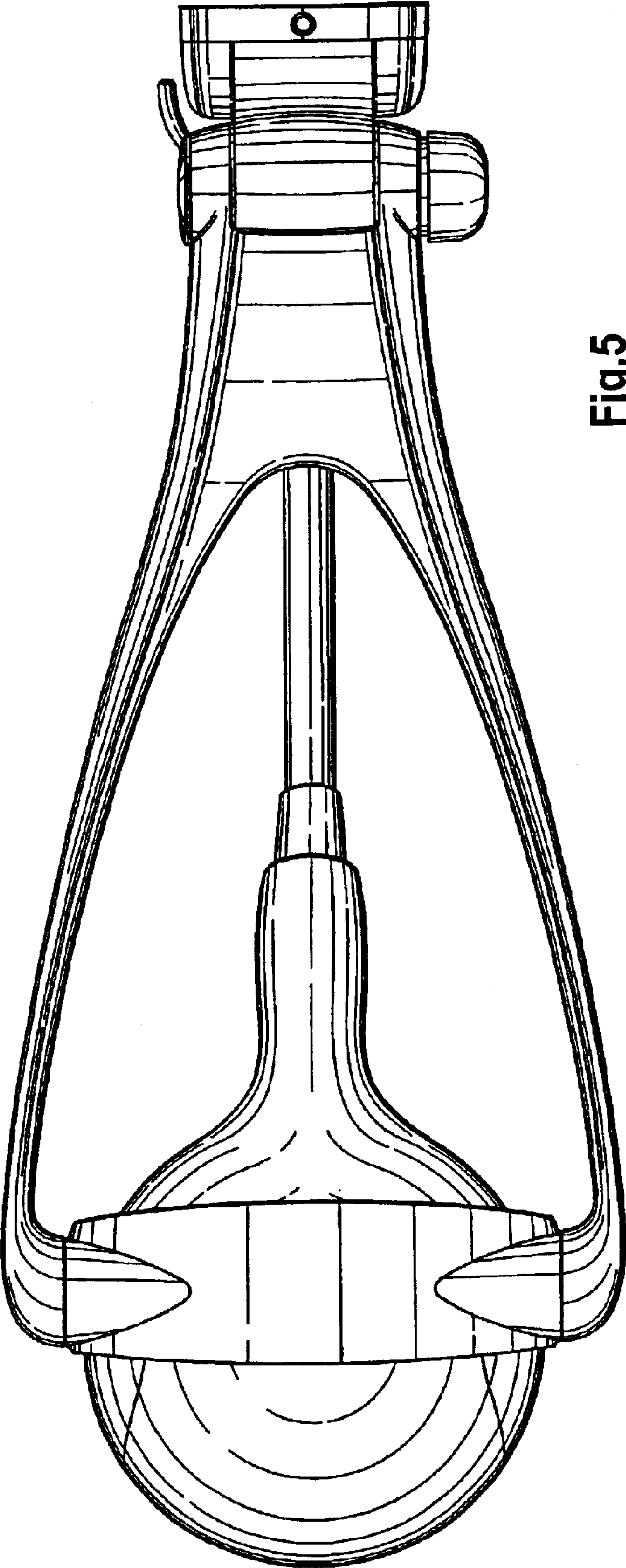


Fig.5

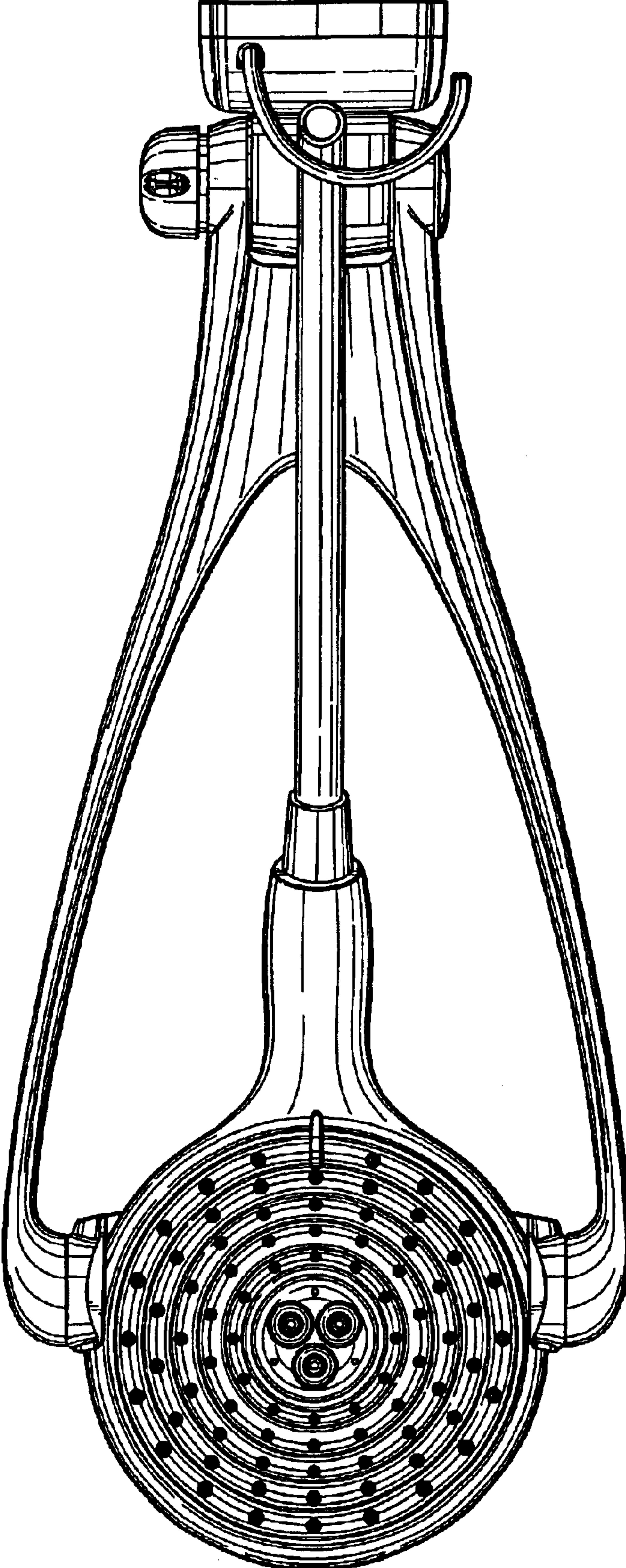
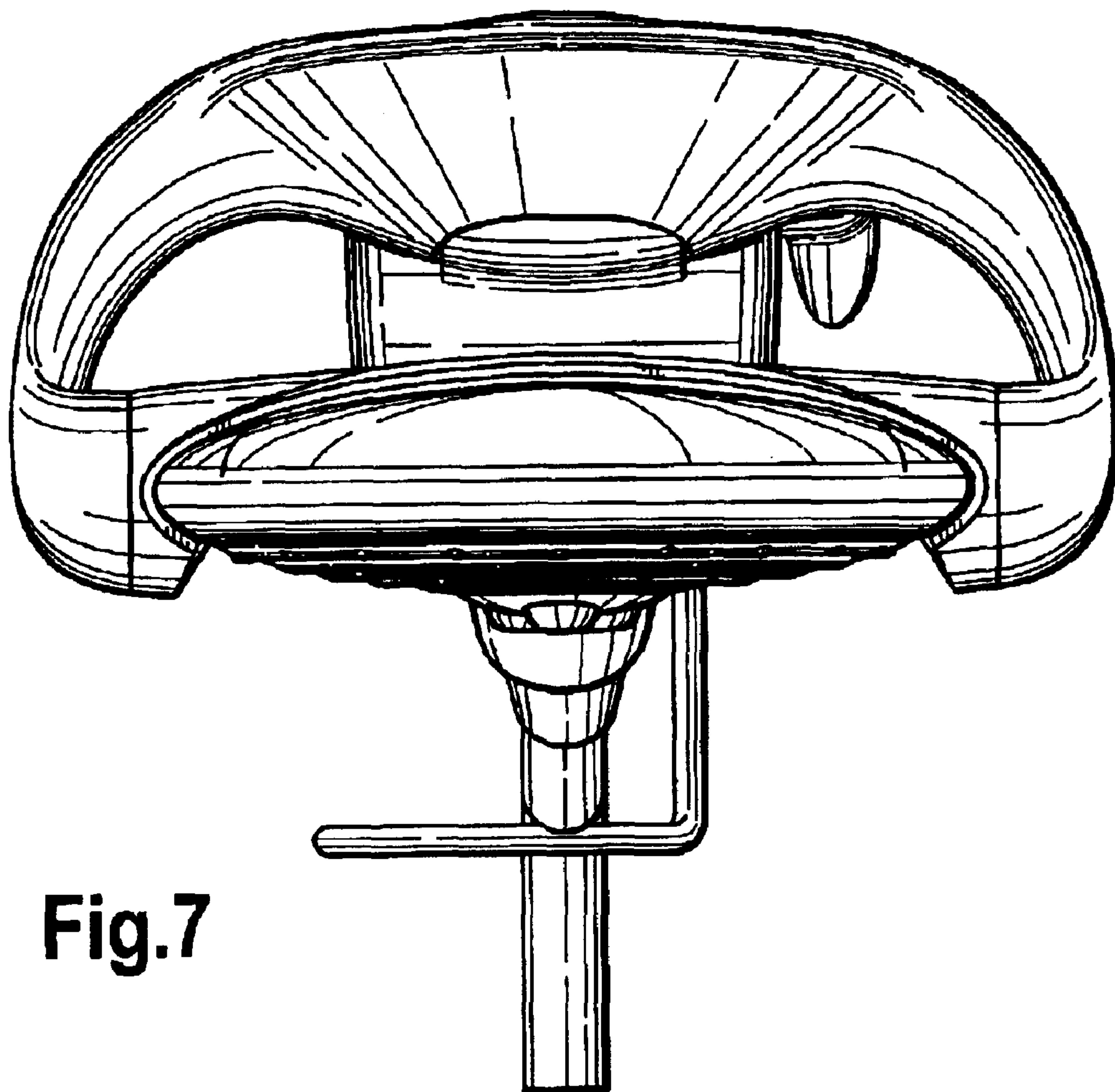
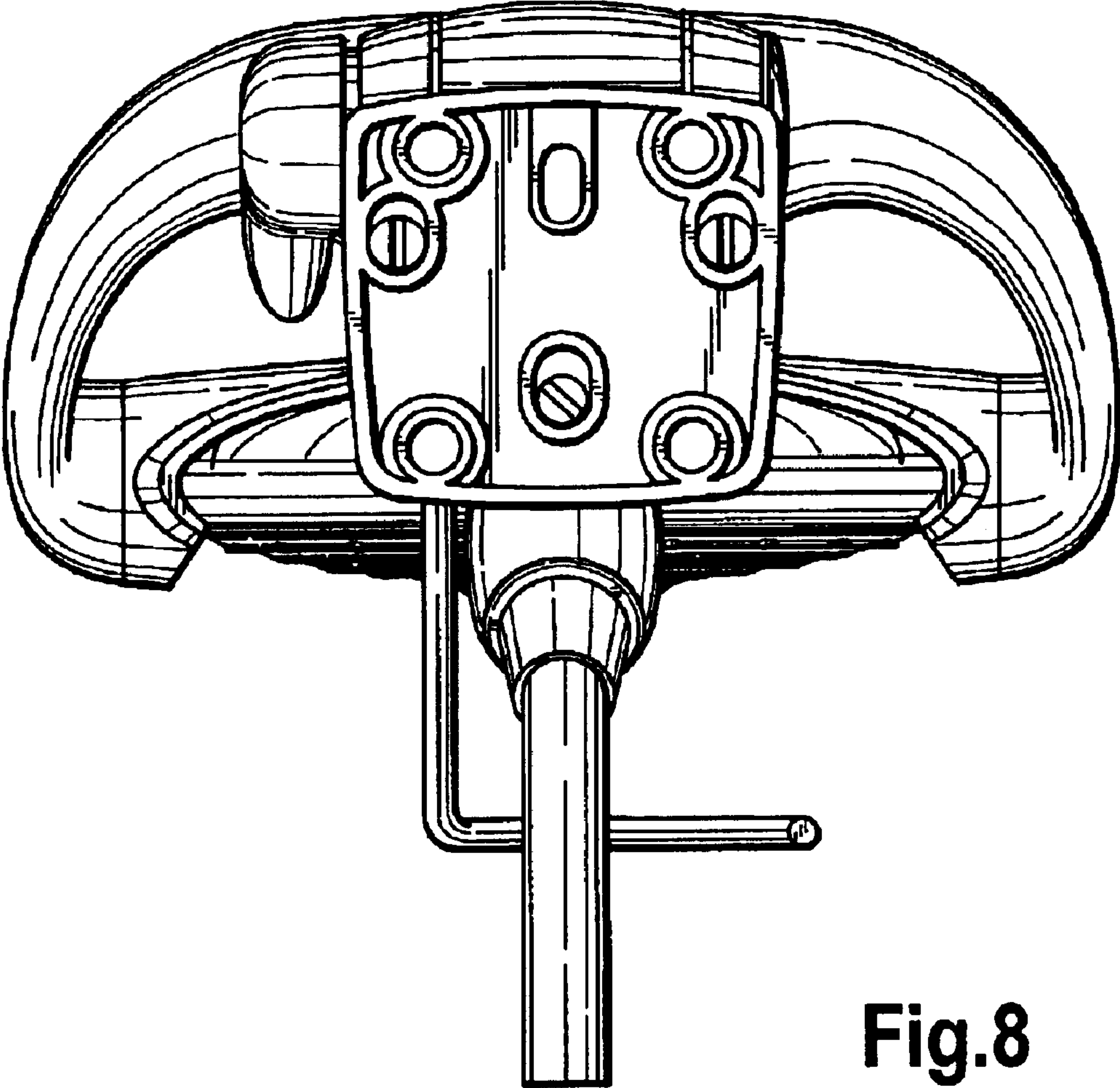


Fig.6







**Fig.8**