

US00D492003S1

(12) **United States Design Patent**
Haug et al.

(10) **Patent No.:** **US D492,003 S**
(45) **Date of Patent:** **** Jun. 22, 2004**

(54) **HOLDER FOR SHOWERS**

(75) Inventors: **Andreas Haug**, Stuttgart (DE); **Tom Schönherr**, Stuttgart (DE); **Fabian Kollmann**, Stuttgart (DE)

(73) Assignee: **Hansgrohe AG**, Schiltach (DE)

(**) Term: **14 Years**

(21) Appl. No.: **29/183,502**

(22) Filed: **Jun. 11, 2003**

(30) **Foreign Application Priority Data**

Dec. 12, 2002 (DE) 4 02 10 283

(51) **LOC (7) Cl.** **23-01**

(52) **U.S. Cl.** **D23/213; D23/304; D6/524**

(58) **Field of Search** **D23/213, 229, D23/230, 304; 4/570, 600, 605; D6/524**

(56) **References Cited**

U.S. PATENT DOCUMENTS

D265,874 S * 8/1982 Klose D6/524
D286,838 S * 11/1986 Katzler et al. D6/524

D340,376 S * 10/1993 Klose D6/524
D428,125 S * 7/2000 Chan D23/304
D448,069 S * 9/2001 Wales D23/304

* cited by examiner

Primary Examiner—Robin V. Taylor

(74) *Attorney, Agent, or Firm*—Duane Morris LLP

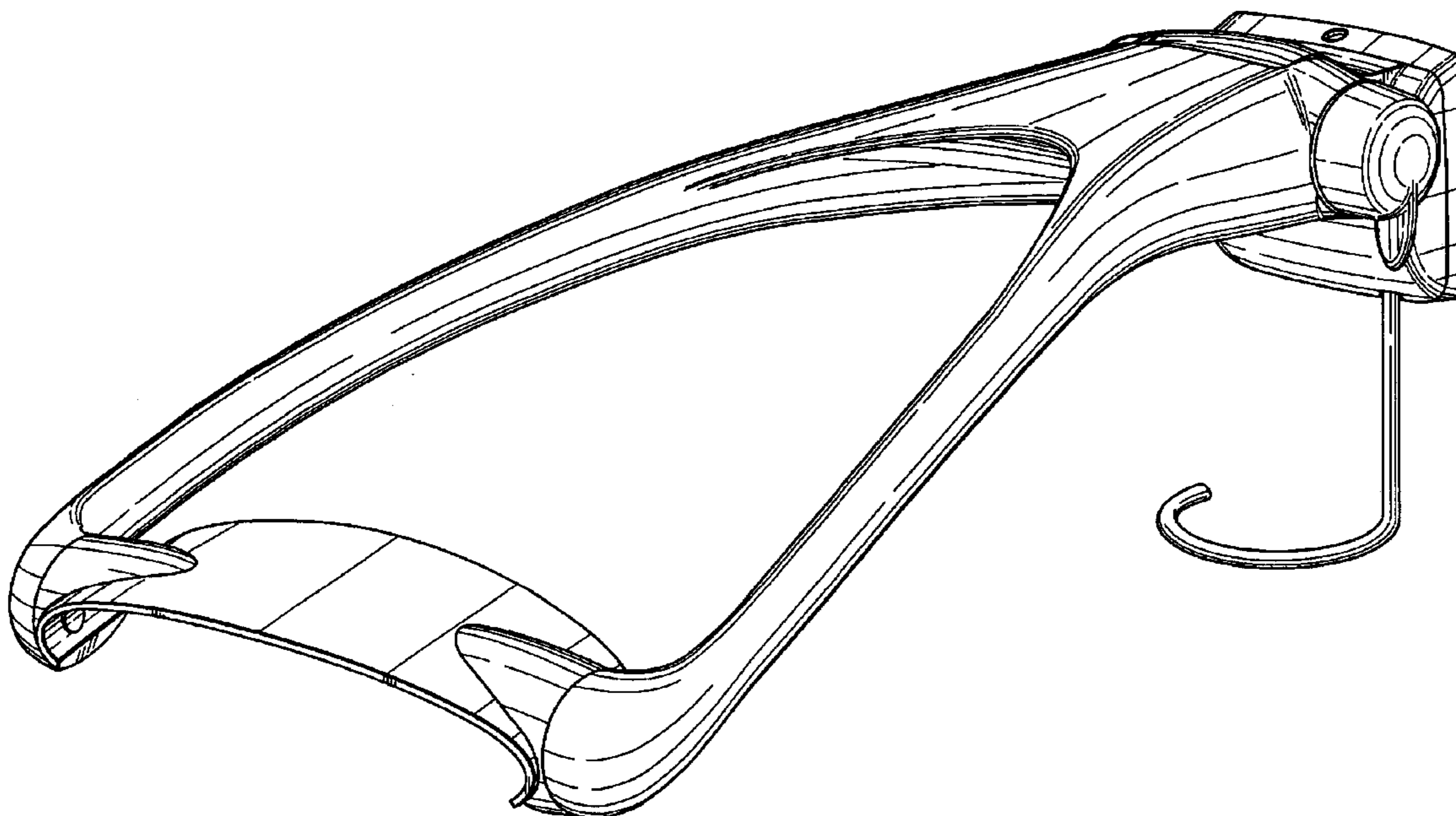
(57) **CLAIM**

The ornamental design for a holder for showers, as shown and described.

DESCRIPTION

FIG. 1: is a side perspective view of a holder for showers showing our new design;
FIG. 2: is a side perspective view of the holder shown in FIG. 1, whereas the holder is clamped downwards;
FIG. 3: is a side elevation view of the holder in FIG. 1;
FIG. 4: is the opposite side elevation view of the holder in FIG. 1;
FIG. 5: is a top plan view of the holder in FIG. 1;
FIG. 6: is a bottom plan view of the holder in FIG. 1;
FIG. 7: is a front elevation view of the holder in FIG. 1; and,
FIG. 8: is a rear elevation view of the holder in FIG. 1.

1 Claim, 8 Drawing Sheets



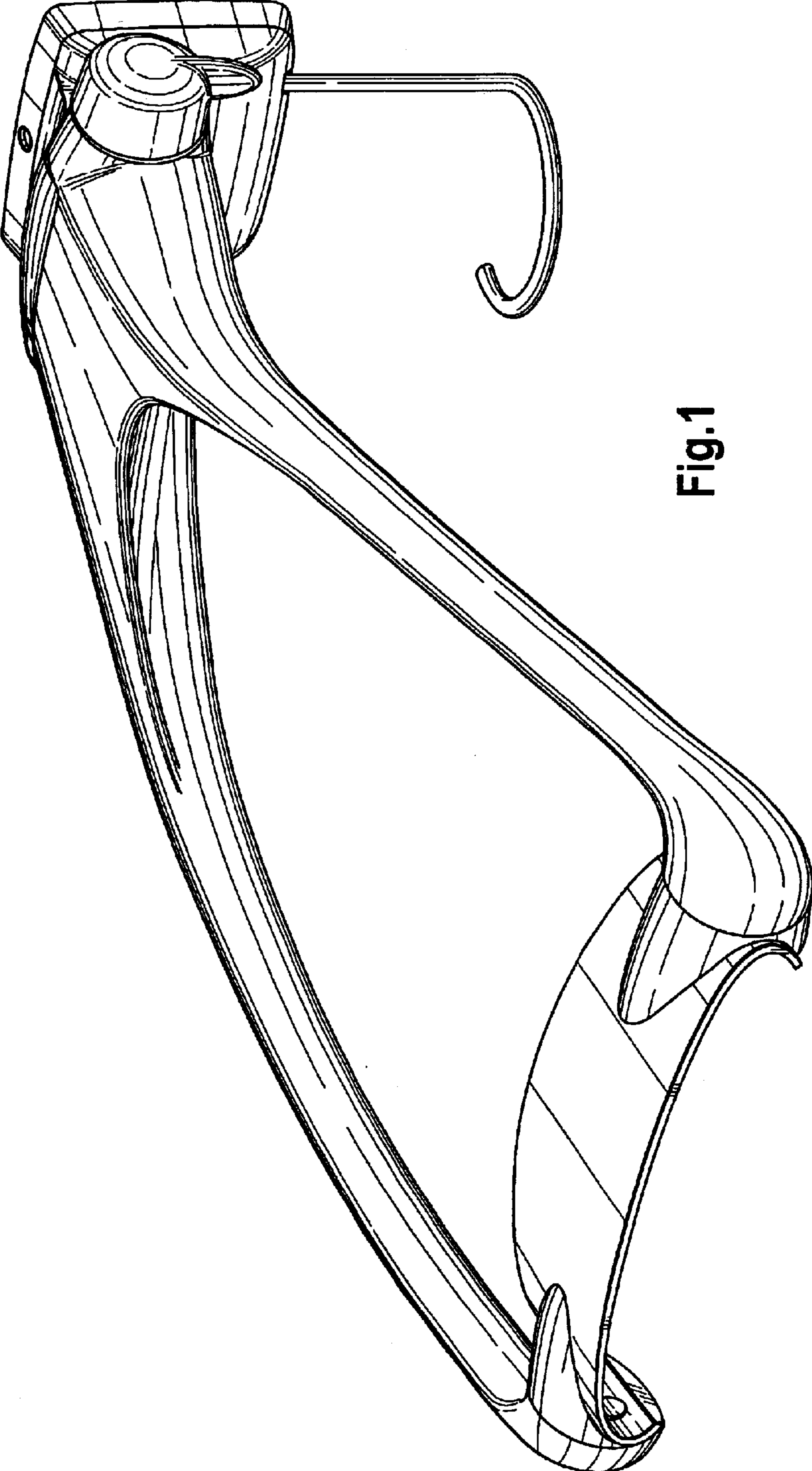


Fig.1

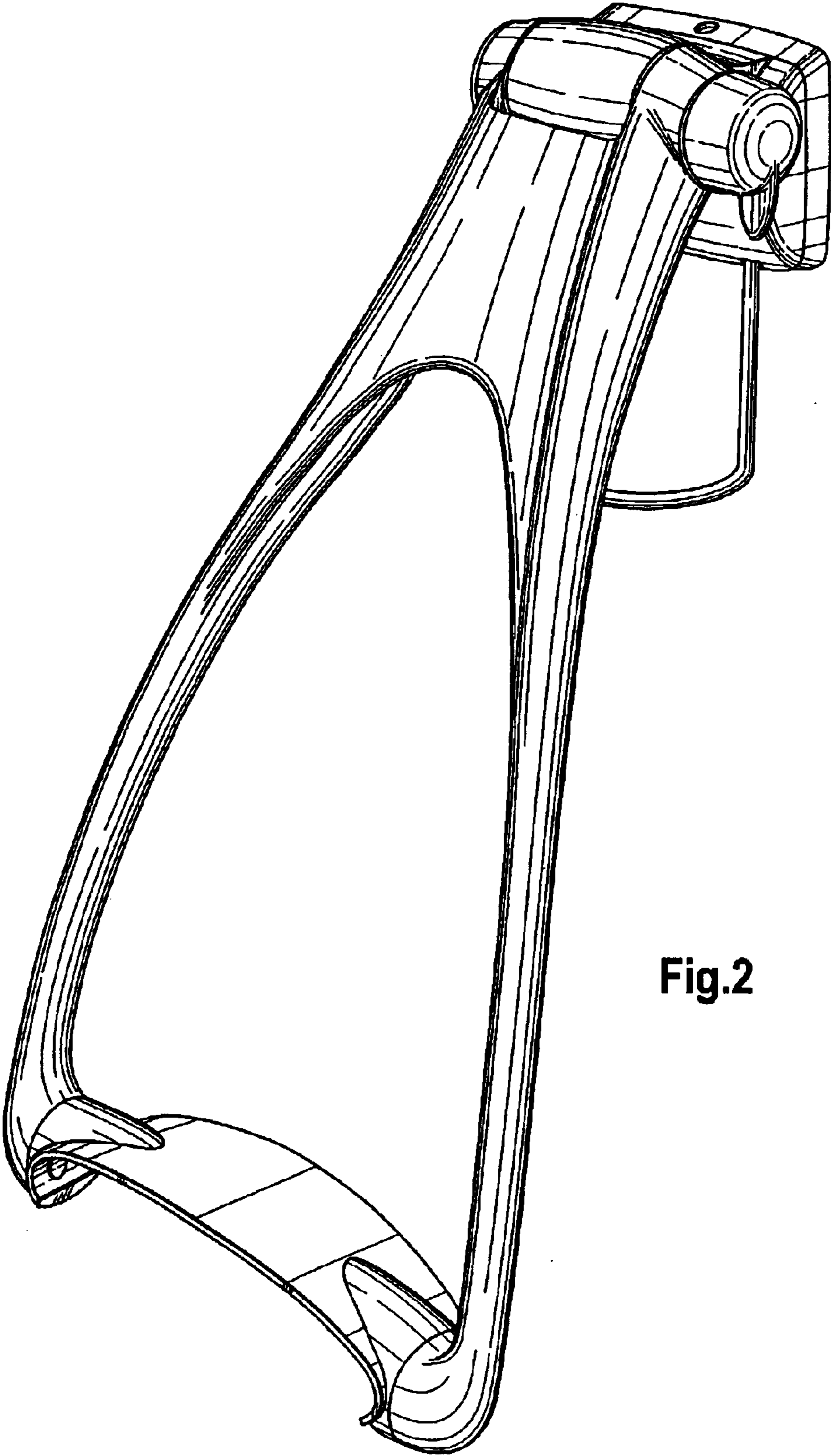


Fig.2

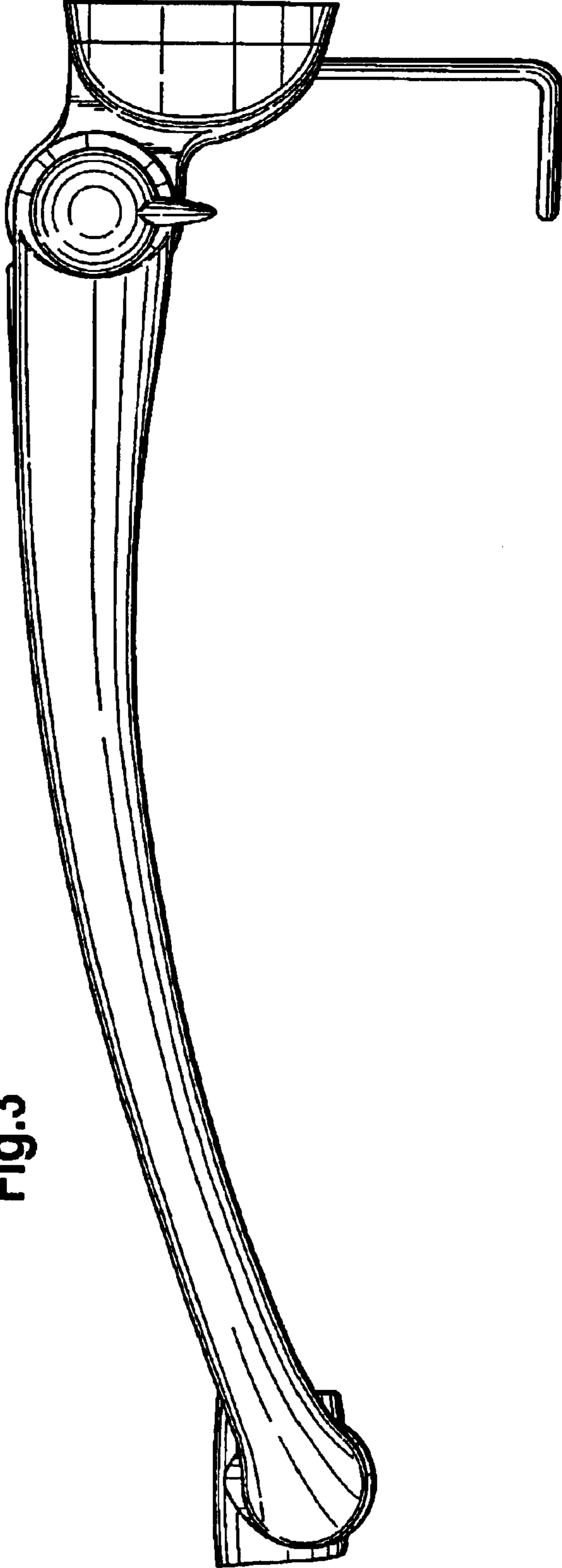


Fig.3

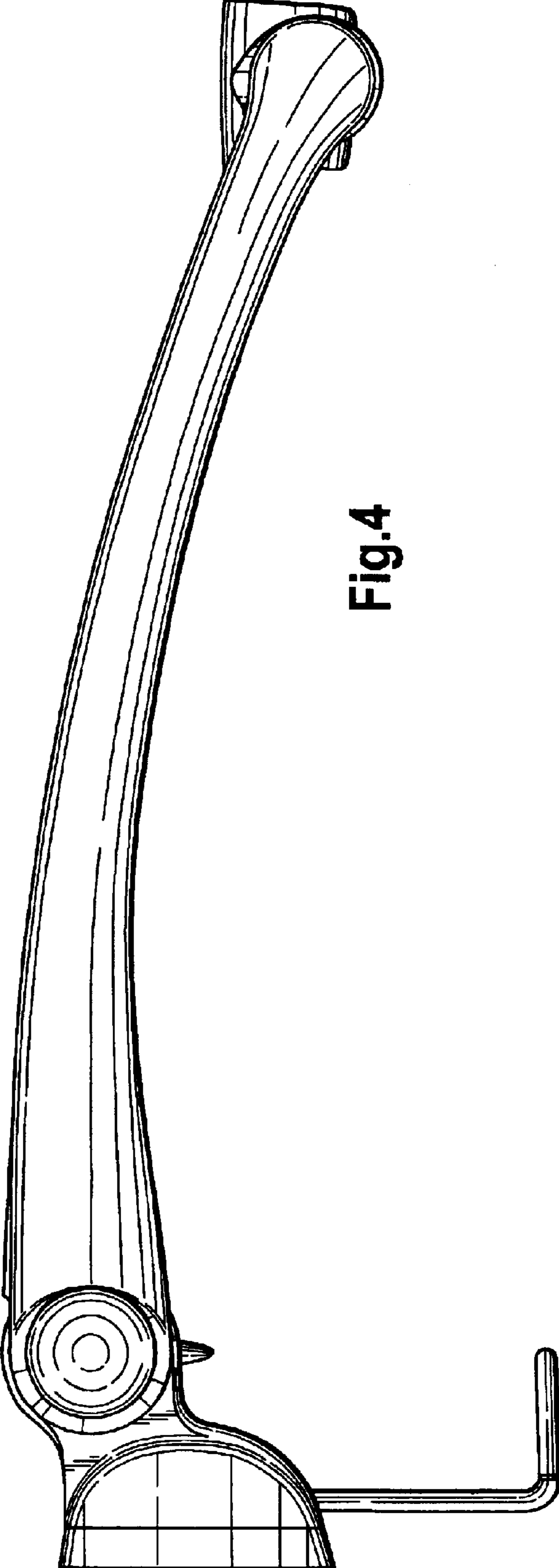


Fig.4

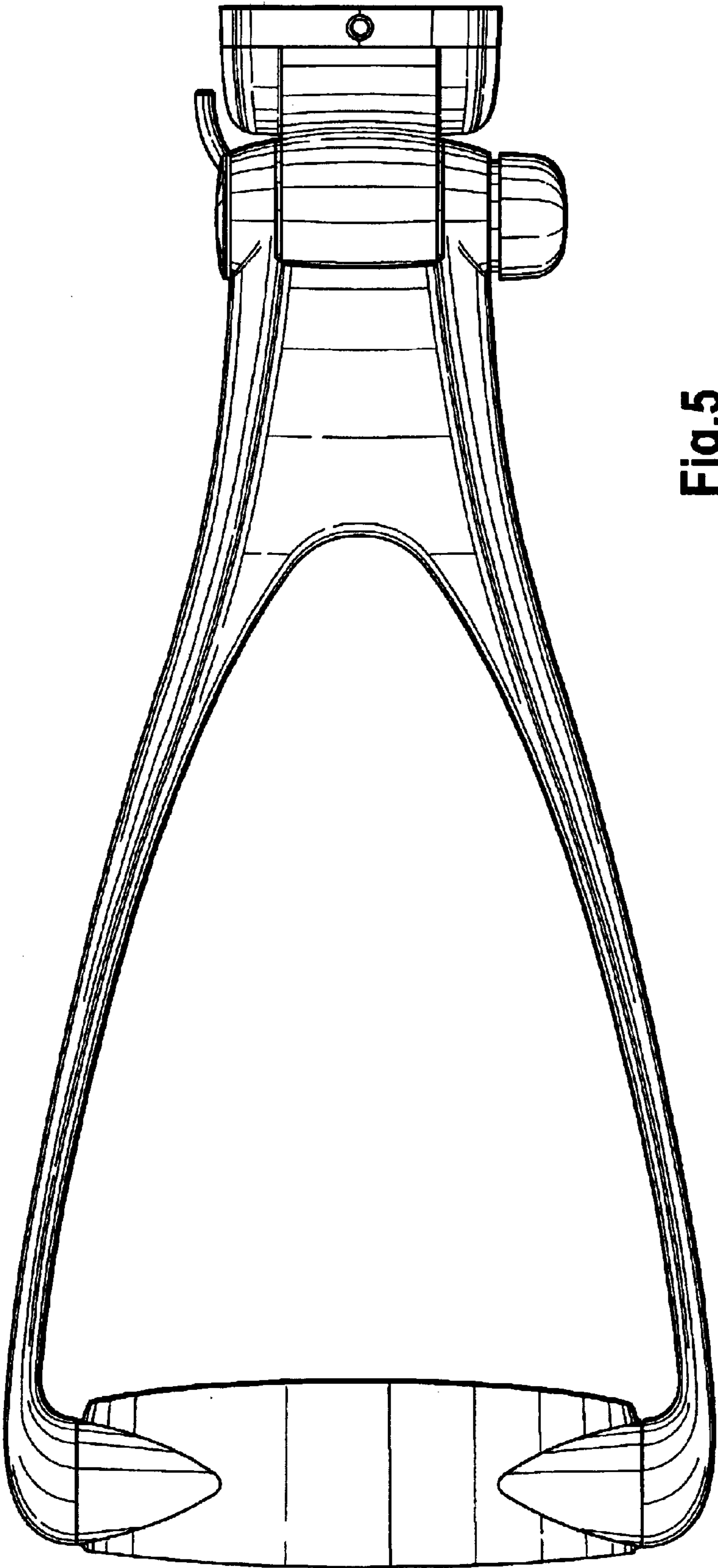


Fig. 5

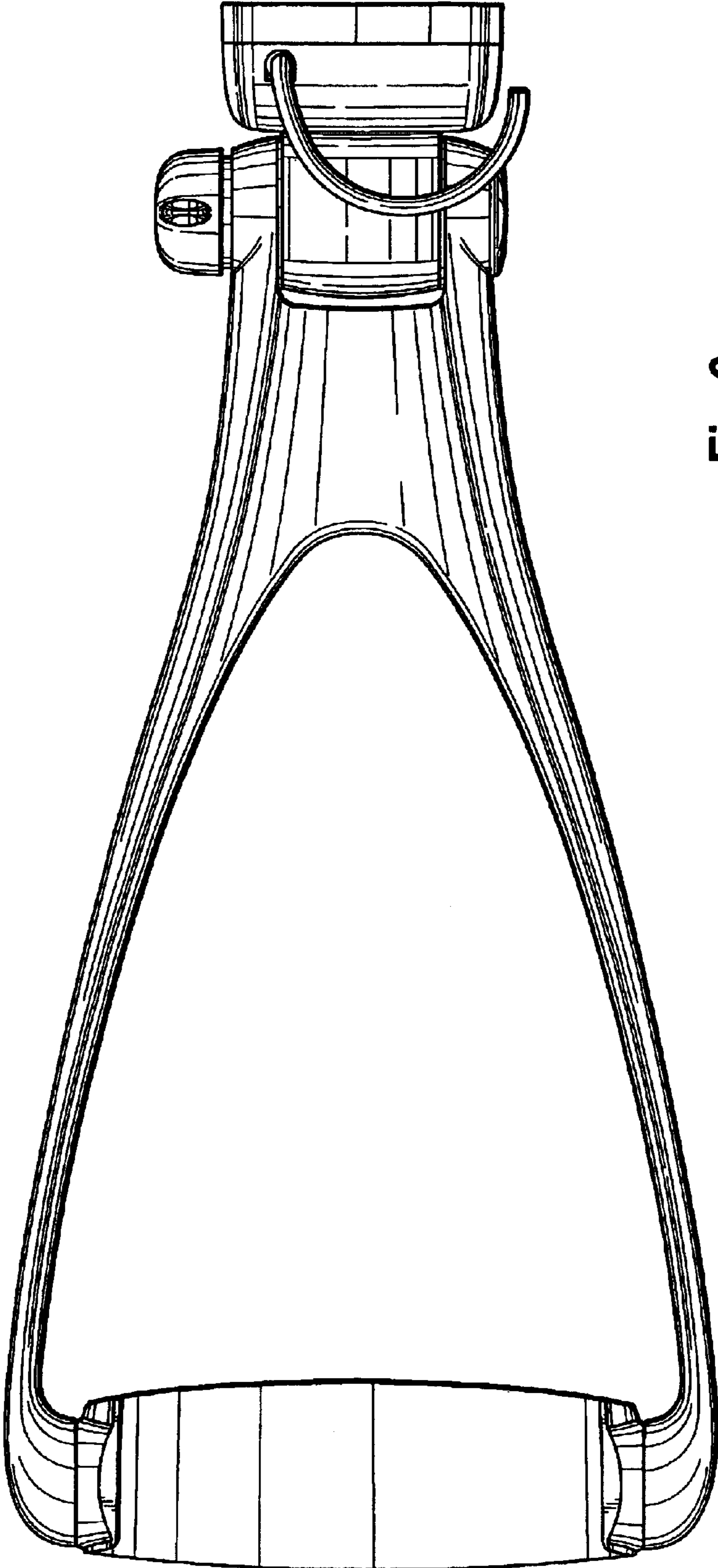


Fig. 6

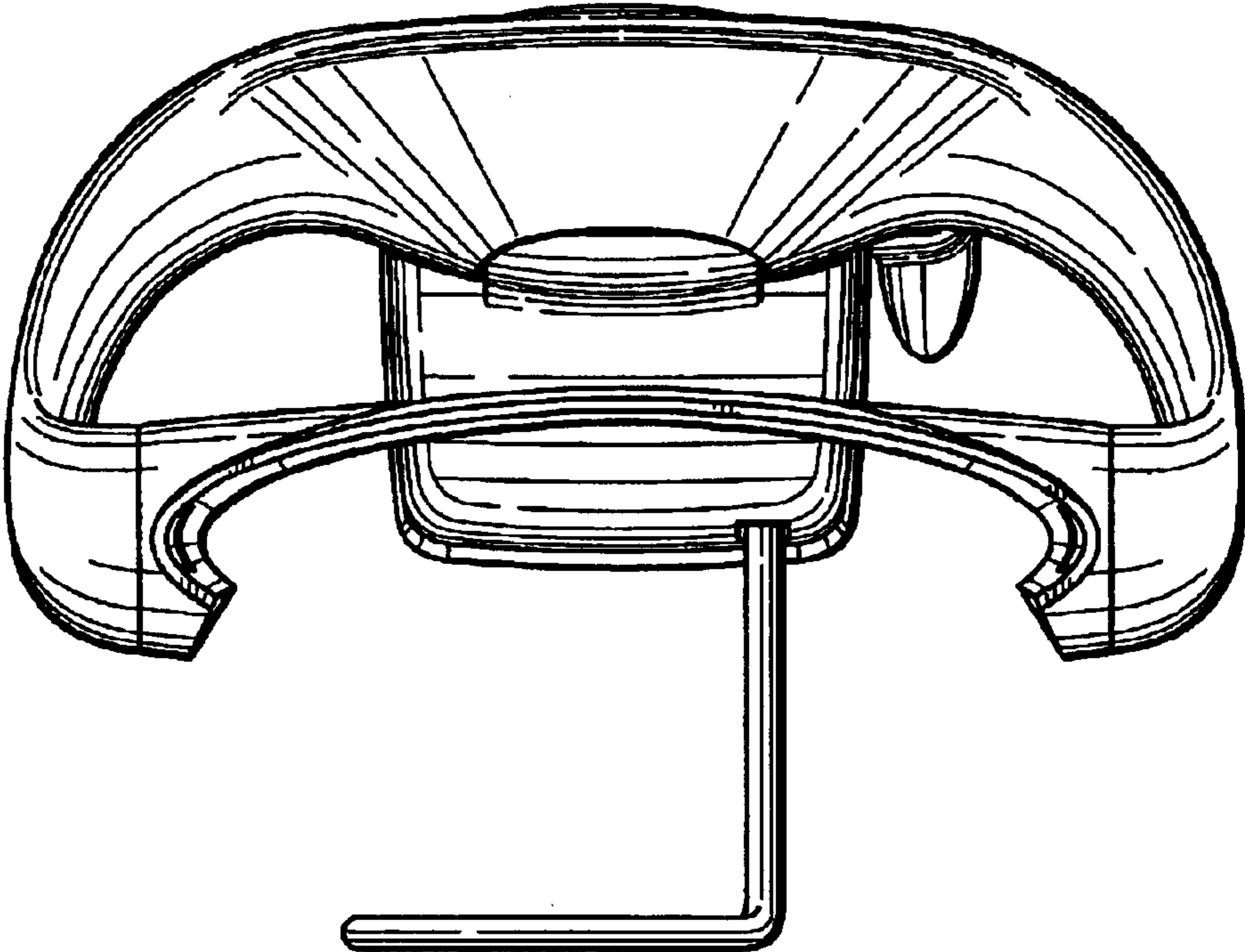


Fig.7

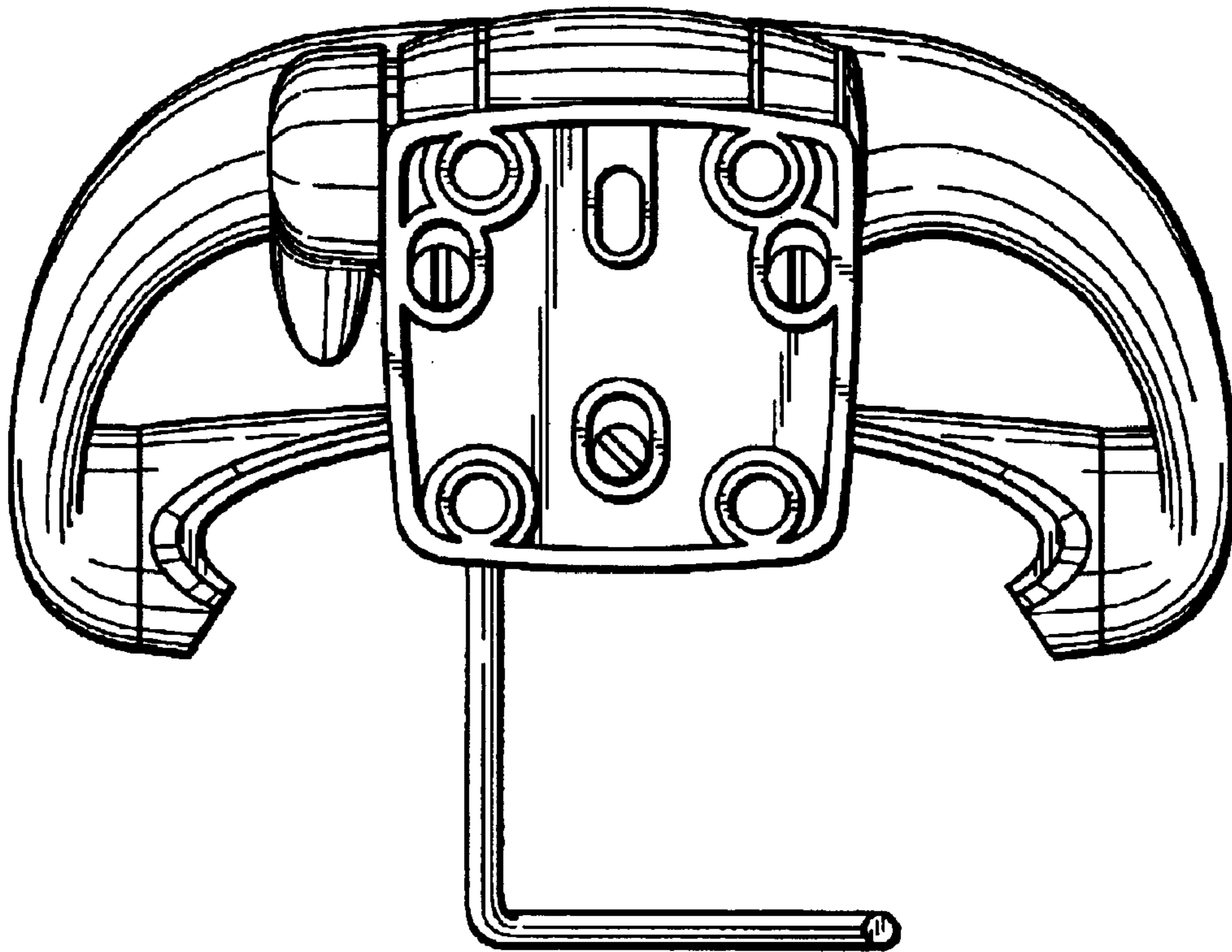


Fig.8