

US00D492001S1

(12) **United States Design Patent**
Kamata et al.

(10) **Patent No.: US D492,001 S**
(45) **Date of Patent: ** Jun. 22, 2004**

(54) **MODULE FOR FILTRATION**

6,632,358 B1 * 10/2003 Suga et al. 210/323.2

(75) Inventors: **Masatoshi Kamata**, Nagoya (JP); **Ikuo Kinoshita**, Nagoya (JP); **Yoshihito Nakahara**, Nagoya (JP); **Satoshi Takeda**, Nagoya (JP); **Shinya Sueyoshi**, Nagoya (JP)

FOREIGN PATENT DOCUMENTS

JP D1035330 3/1999
JP D1055655 12/1999

* cited by examiner

(73) Assignee: **Mitsubishi Rayon Co., Ltd.**, Tokyo (JP)

Primary Examiner—Robin V. Taylor
(74) *Attorney, Agent, or Firm*—Fitch, Even, Tabin & Flannery

(**) Term: **14 Years**

(57) **CLAIM**

(21) Appl. No.: **29/179,289**

The ornamental design for a module for filtration, as shown and described.

(22) Filed: **Apr. 9, 2003**

DESCRIPTION

(30) **Foreign Application Priority Data**

Oct. 11, 2002 (JP) 2002-028047

(51) **LOC (7) Cl.** **23-01**

(52) **U.S. Cl.** **D23/209**

(58) **Field of Search** D23/207, 209;
210/249, 323.2

FIG. 1 is a front perspective view of a module for filtration showing our new design;
FIG. 2 is a front view, the rear view being a mirror image of the front view;
FIG. 3 is a left side elevational view, the right side elevational view being a mirror image of the left side elevational view;
FIG. 4 is a top plan view;
FIG. 5 is a bottom plan view; and,
FIG. 6 is a perspective view of the module for filtration used in a filtration system.

The broken lines shown in FIG. 6 are for illustrative purpose only and form no part of the claimed design.

(56) **References Cited**

U.S. PATENT DOCUMENTS

654,043 A * 7/1900 Ziegler 210/323.2
4,036,757 A * 7/1977 Peasley 210/196
4,298,469 A * 11/1981 LeBlanc et al. 210/168
5,705,065 A * 1/1998 Sharpe 210/232
6,325,928 B1 * 12/2001 Pedersen et al. 210/232

1 Claim, 3 Drawing Sheets

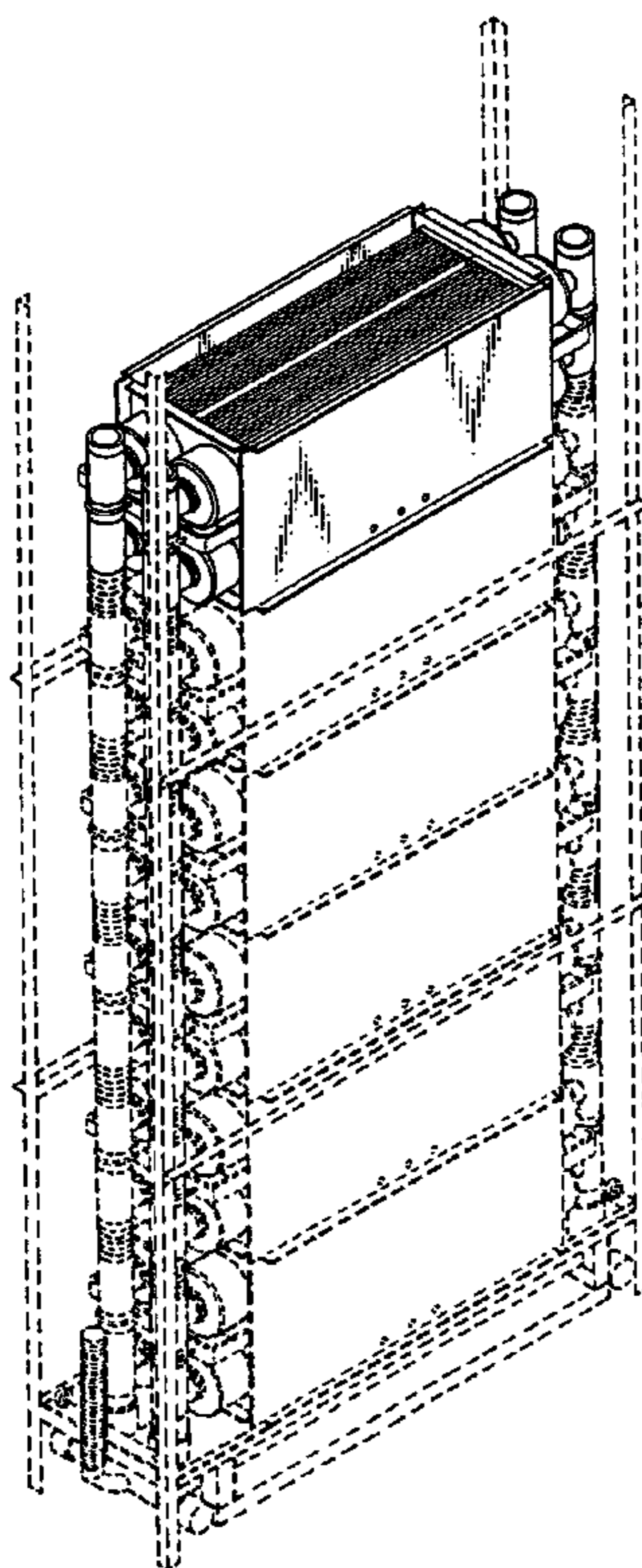


Fig.1

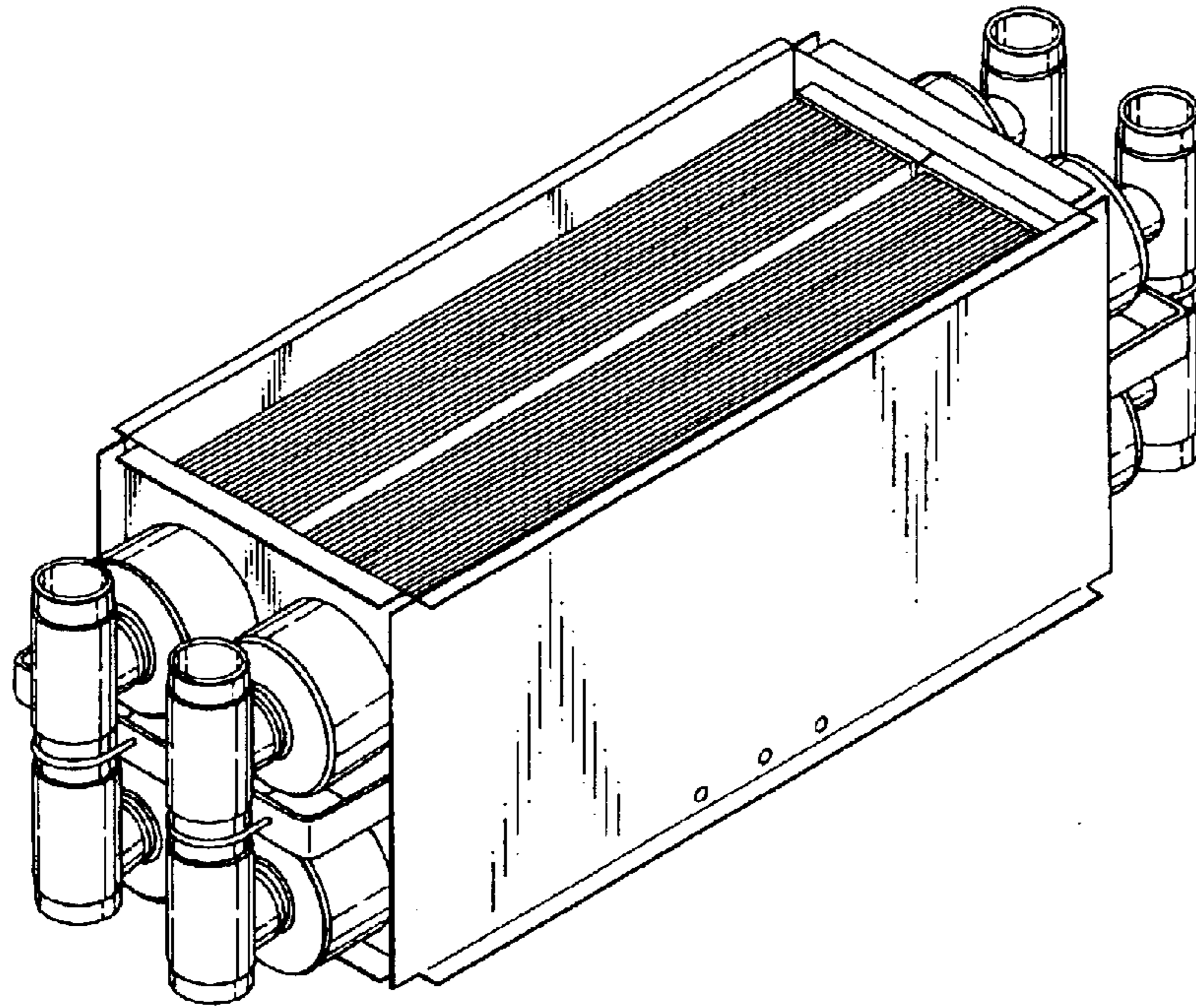


Fig.2

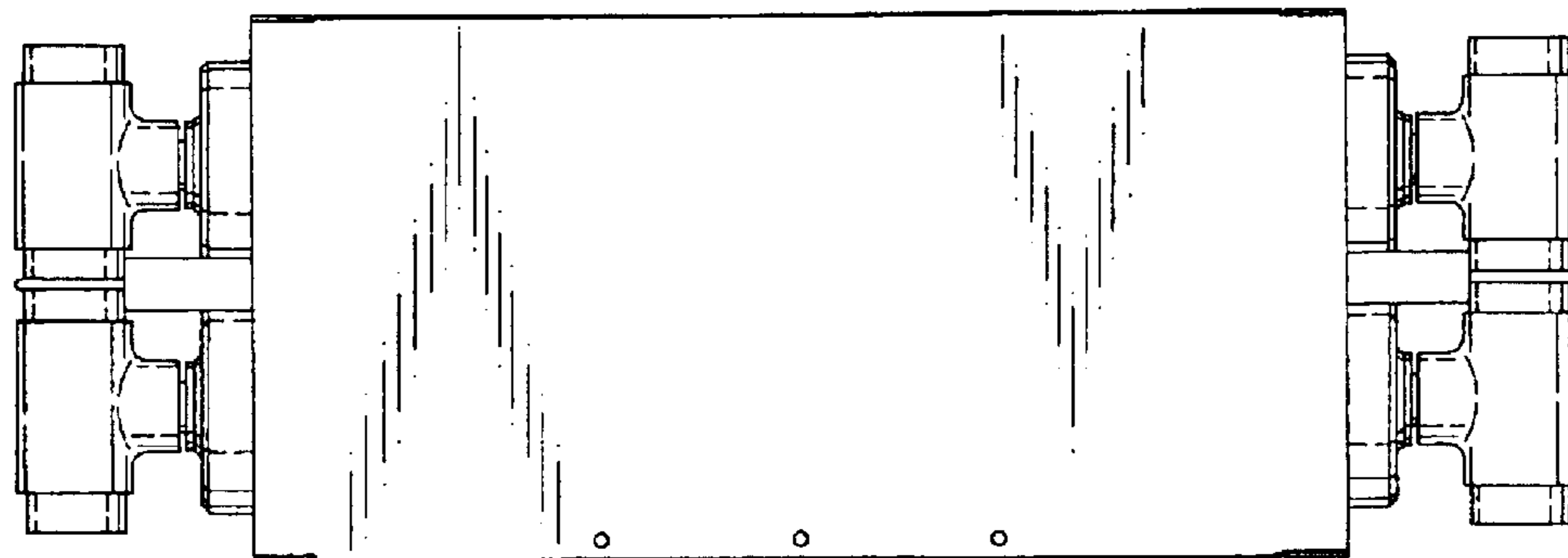


Fig.3

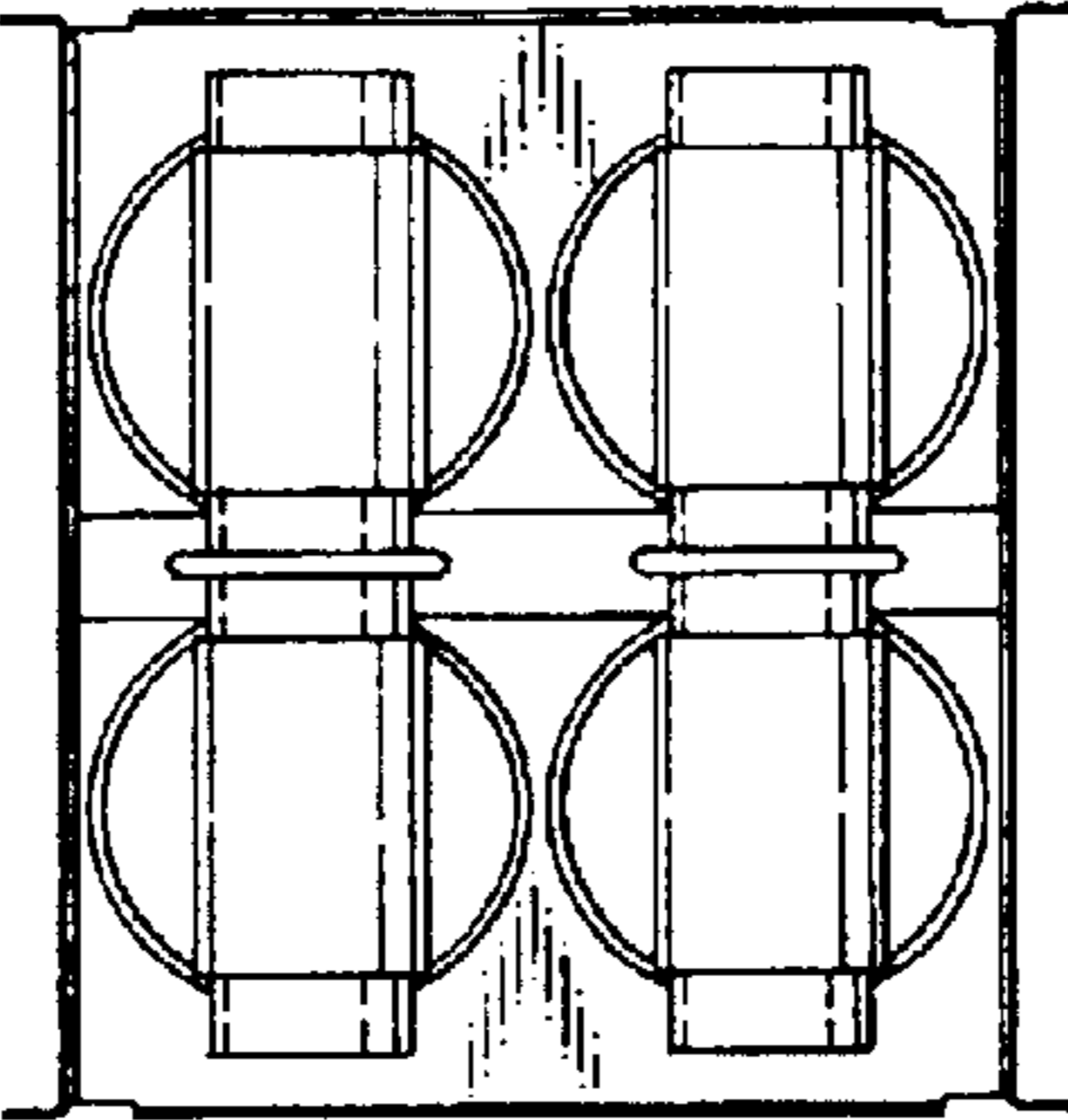


Fig.4

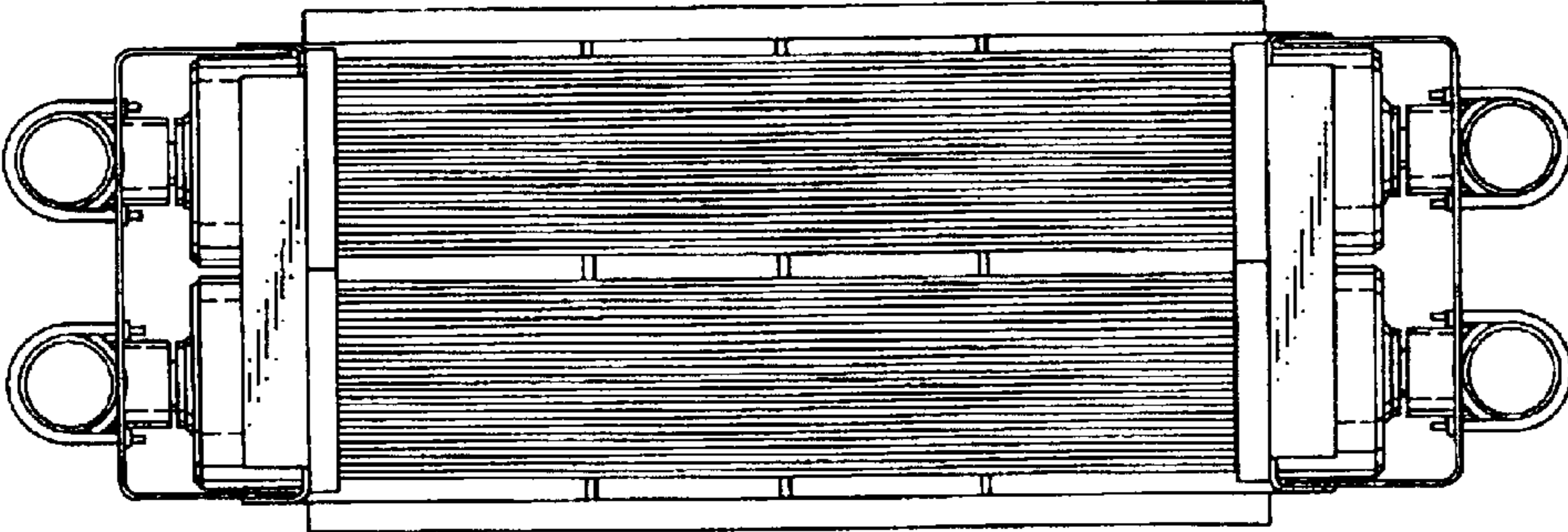


Fig.5

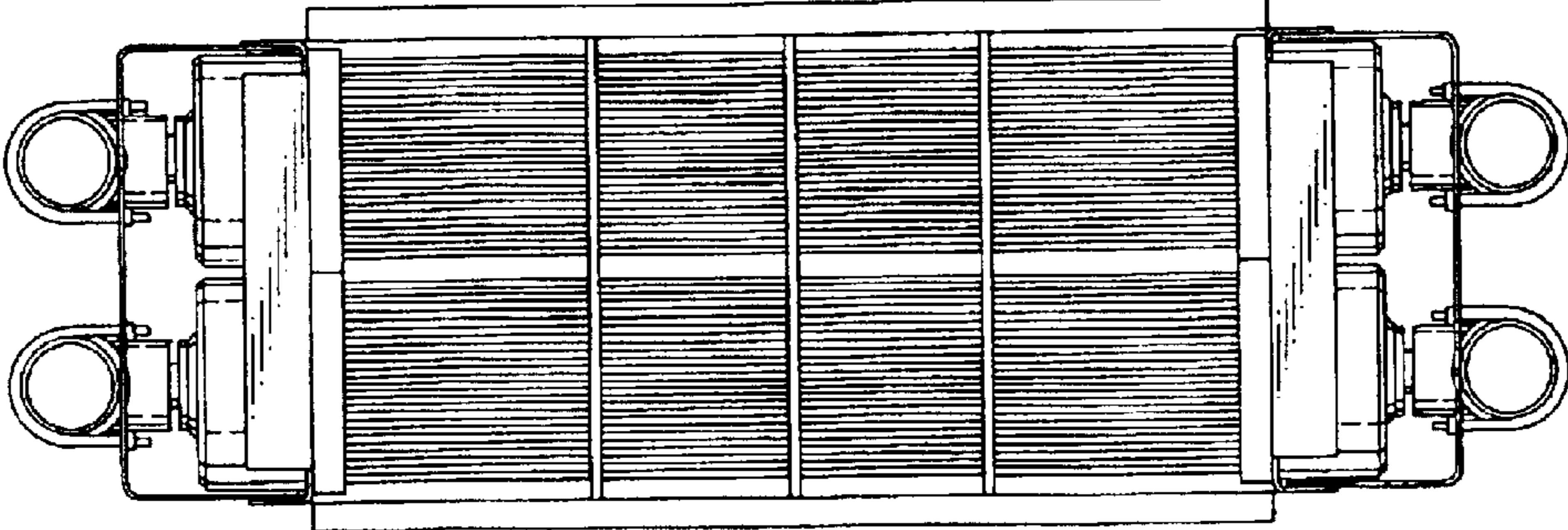


Fig.6

